

FOOTBALL STADIUM CHANGING ROOM, SEATINGS, CAFE', SHOP  
ARCHITECTURAL, STRUCTURAL, ELECTRICAL & PLUMBING DRAWINGS  
01-22-2020


SIARCH  
P R I V A T E      L I M I T E D  
LONUZIYAARAIY MAGU, MALE', 20075, MALDIVES  
EMAIL: I N F O @ S I A R C H . D E S I G N  
H T T P / / : W W W . S I A R C H . D E S I G N

# FOOTBALL STADIUM CHANGING ROOM, SEATINGS, CAFE', SHOP DRAWING INDEX

PROJECT CODE: COM-18  
 CLIENT: MINISTRY OF YOUTH, SPORTS & COMMUNITY EMPOWERMENT  
 BUILDING: FOOTBALL STADIUM CHANGING ROOM, SEATINGS, CAFE', SHOP

BLDN.CODE.	DISC.	NO.	PDF FILE NAME	DRAWING TITLE		SCALE	FORMAT	DATE
				PRIMARY	SECONDARY			
COM-18	AR	01	COM-18_SCF_AR01_A	DRAWING REGISTER		NTS	A2	22ND JANUARY 2020
COM-18	AR	02	COM-18_SCF_AR02_A	FLOOR PLAN, ROOF PLAN		1:100	A2	22ND JANUARY 2020
COM-18	AR	03	COM-18_SCF_AR03_A	ELEVATIONS		1:100	A2	22ND JANUARY 2020
COM-18	AR	04	COM-18_SCF_AR04_A	SECTIONS		1:100	A2	22ND JANUARY 2020
COM-18	AR	05	COM-18_SCF_AR05_A	DOOR & WINDOW SCHEDULES		1:50	A2	22ND JANUARY 2020
COM-18	ST	01	COM-18_SCF_ST01_A	FOUNDATION, COLUMN, ROOF BEAM & SLAB PLAN		1:100	A2	22ND JANUARY 2020
COM-18	ST	02	COM-18_SCF_ST02_A	CANVAS ROOF STRUCTURE PLAN		1:100	A2	22ND JANUARY 2020
COM-18	ST	03	COM-18_SCF_ST03_A	STAIR DETAILS		1:50	A2	22ND JANUARY 2020
COM-18	ST	04	COM-18_SCF_ST04_A	STRUCTURAL DETAILS		1:50, 1:20, 1:10	A2	22ND JANUARY 2020
COM-18	EL	01	COM-18_SCF_EL01_A	ELECTRICAL LIGHTING, POWER SOCKETS & AC LAYOUT		1:100	A2	22ND JANUARY 2020
COM-18	PL	01	COM-18_SCF_PL01_A	SEWAGE, FRESH WATER LINES LAYOUT		1:100	A2	22ND JANUARY 2020

CLIENT:  
MINISTRY OF YOUTH & SPORTS

DESIGN AND CONSULTANCY:  
  
 SARCH  
 CONSULTANCY & CONTRACT MANAGEMENT  
 100, 101, 102, 103, 104, 105, 106, 107, 108, 109, 110, 111, 112, 113, 114, 115, 116, 117, 118, 119, 120, 121, 122, 123, 124, 125, 126, 127, 128, 129, 130, 131, 132, 133, 134, 135, 136, 137, 138, 139, 140, 141, 142, 143, 144, 145, 146, 147, 148, 149, 150, 151, 152, 153, 154, 155, 156, 157, 158, 159, 160, 161, 162, 163, 164, 165, 166, 167, 168, 169, 170, 171, 172, 173, 174, 175, 176, 177, 178, 179, 180, 181, 182, 183, 184, 185, 186, 187, 188, 189, 190, 191, 192, 193, 194, 195, 196, 197, 198, 199, 200, 201, 202, 203, 204, 205, 206, 207, 208, 209, 210, 211, 212, 213, 214, 215, 216, 217, 218, 219, 220, 221, 222, 223, 224, 225, 226, 227, 228, 229, 230, 231, 232, 233, 234, 235, 236, 237, 238, 239, 240, 241, 242, 243, 244, 245, 246, 247, 248, 249, 250, 251, 252, 253, 254, 255, 256, 257, 258, 259, 260, 261, 262, 263, 264, 265, 266, 267, 268, 269, 270, 271, 272, 273, 274, 275, 276, 277, 278, 279, 280, 281, 282, 283, 284, 285, 286, 287, 288, 289, 290, 291, 292, 293, 294, 295, 296, 297, 298, 299, 300, 301, 302, 303, 304, 305, 306, 307, 308, 309, 310, 311, 312, 313, 314, 315, 316, 317, 318, 319, 320, 321, 322, 323, 324, 325, 326, 327, 328, 329, 330, 331, 332, 333, 334, 335, 336, 337, 338, 339, 340, 341, 342, 343, 344, 345, 346, 347, 348, 349, 350, 351, 352, 353, 354, 355, 356, 357, 358, 359, 360, 361, 362, 363, 364, 365, 366, 367, 368, 369, 370, 371, 372, 373, 374, 375, 376, 377, 378, 379, 380, 381, 382, 383, 384, 385, 386, 387, 388, 389, 390, 391, 392, 393, 394, 395, 396, 397, 398, 399, 400, 401, 402, 403, 404, 405, 406, 407, 408, 409, 410, 411, 412, 413, 414, 415, 416, 417, 418, 419, 420, 421, 422, 423, 424, 425, 426, 427, 428, 429, 430, 431, 432, 433, 434, 435, 436, 437, 438, 439, 440, 441, 442, 443, 444, 445, 446, 447, 448, 449, 450, 451, 452, 453, 454, 455, 456, 457, 458, 459, 460, 461, 462, 463, 464, 465, 466, 467, 468, 469, 470, 471, 472, 473, 474, 475, 476, 477, 478, 479, 480, 481, 482, 483, 484, 485, 486, 487, 488, 489, 490, 491, 492, 493, 494, 495, 496, 497, 498, 499, 500, 501, 502, 503, 504, 505, 506, 507, 508, 509, 510, 511, 512, 513, 514, 515, 516, 517, 518, 519, 520, 521, 522, 523, 524, 525, 526, 527, 528, 529, 530, 531, 532, 533, 534, 535, 536, 537, 538, 539, 540, 541, 542, 543, 544, 545, 546, 547, 548, 549, 550, 551, 552, 553, 554, 555, 556, 557, 558, 559, 560, 561, 562, 563, 564, 565, 566, 567, 568, 569, 570, 571, 572, 573, 574, 575, 576, 577, 578, 579, 580, 581, 582, 583, 584, 585, 586, 587, 588, 589, 590, 591, 592, 593, 594, 595, 596, 597, 598, 599, 600, 601, 602, 603, 604, 605, 606, 607, 608, 609, 610, 611, 612, 613, 614, 615, 616, 617, 618, 619, 620, 621, 622, 623, 624, 625, 626, 627, 628, 629, 630, 631, 632, 633, 634, 635, 636, 637, 638, 639, 640, 641, 642, 643, 644, 645, 646, 647, 648, 649, 650, 651, 652, 653, 654, 655, 656, 657, 658, 659, 660, 661, 662, 663, 664, 665, 666, 667, 668, 669, 670, 671, 672, 673, 674, 675, 676, 677, 678, 679, 680, 681, 682, 683, 684, 685, 686, 687, 688, 689, 690, 691, 692, 693, 694, 695, 696, 697, 698, 699, 700, 701, 702, 703, 704, 705, 706, 707, 708, 709, 710, 711, 712, 713, 714, 715, 716, 717, 718, 719, 720, 721, 722, 723, 724, 725, 726, 727, 728, 729, 730, 731, 732, 733, 734, 735, 736, 737, 738, 739, 740, 741, 742, 743, 744, 745, 746, 747, 748, 749, 750, 751, 752, 753, 754, 755, 756, 757, 758, 759, 760, 761, 762, 763, 764, 765, 766, 767, 768, 769, 770, 771, 772, 773, 774, 775, 776, 777, 778, 779, 780, 781, 782, 783, 784, 785, 786, 787, 788, 789, 790, 791, 792, 793, 794, 795, 796, 797, 798, 799, 800, 801, 802, 803, 804, 805, 806, 807, 808, 809, 810, 811, 812, 813, 814, 815, 816, 817, 818, 819, 820, 821, 822, 823, 824, 825, 826, 827, 828, 829, 830, 831, 832, 833, 834, 835, 836, 837, 838, 839, 840, 841, 842, 843, 844, 845, 846, 847, 848, 849, 850, 851, 852, 853, 854, 855, 856, 857, 858, 859, 860, 861, 862, 863, 864, 865, 866, 867, 868, 869, 870, 871, 872, 873, 874, 875, 876, 877, 878, 879, 880, 881, 882, 883, 884, 885, 886, 887, 888, 889, 890, 891, 892, 893, 894, 895, 896, 897, 898, 899, 900, 901, 902, 903, 904, 905, 906, 907, 908, 909, 910, 911, 912, 913, 914, 915, 916, 917, 918, 919, 920, 921, 922, 923, 924, 925, 926, 927, 928, 929, 930, 931, 932, 933, 934, 935, 936, 937, 938, 939, 940, 941, 942, 943, 944, 945, 946, 947, 948, 949, 950, 951, 952, 953, 954, 955, 956, 957, 958, 959, 960, 961, 962, 963, 964, 965, 966, 967, 968, 969, 970, 971, 972, 973, 974, 975, 976, 977, 978, 979, 980, 981, 982, 983, 984, 985, 986, 987, 988, 989, 990, 991, 992, 993, 994, 995, 996, 997, 998, 999, 1000

PROJECT:  
PROPOSED STADIUM SEATING, CHANGING ROOMS, SHOP, CAFE'

PHASE:  
 CONCEPT DESIGN  
 DESIGN DEVELOPMENT  
 TENDER DOCUMENT  
 FOR CONSTRUCTION  
 AS BUILD DRAWINGS

DESIGNATION	NAME	SIGNATURE
PROJECT MANAGER	MOHAMED SIRAJ	
STR. ENGINEER	AHMED ZUHAIL	
CHEF ARCHITECT	MOHAMED SHAMIN	
CHECKED	MOHAMED SIRAJ	
DRAWN	AHUSANA MURUSIN	

DWG. NAME:  
ARCHITECTURAL

DRAWING INDEX

CODE	DATE	DWG. NO.
COM-18	01-22-2020	AR01
FORMAT	A1   A2   A3	
SCALE	-	ISSUE A
PDF FILE NAME:	COM-18_SCF_AR01A	



CLIENT:  
MINISTRY OF YOUTH & SPORTS

DESIGN AND CONSULTANCY:



KEY PLAN:

WARNING:

- This drawing shall not be used for construction unless certified.
- Contractor to verify all dimensions of existing works on site before commencing any work or preparing shop drawings. Do not scale drawings; use written dimensions only.
- This drawing is to be read in conjunction with the specifications and conditions of contract.
- This drawing and design is copyright and no portion may be reproduced without the permission of the Consultant

REVISIONS

NO	DESCRIPTION	DATE
----	-------------	------

NO	DESCRIPTION	DATE

PROJECT:

PROPOSED STADIUM SEATING, CHANGING ROOMS, SHOP, CAFE'

PHASE:

- CONCEPT DESIGN
- DESIGN DEVELOPMENT
- TENDER DOCUMENT
- FOR CONSTRUCTION
- AS BUILD DRAWINGS

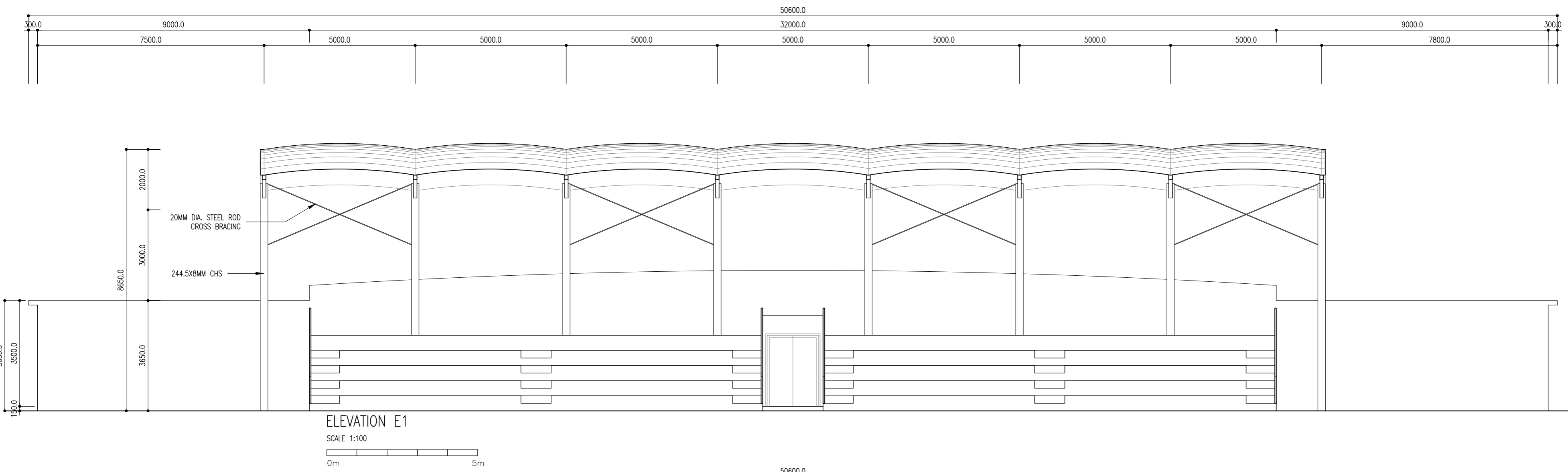
DESIGNATION	NAME	SIGNATURE
PROJECT MANAGER	MOHAMED SIRAJ	
STR. ENGINEER	AHMED ZUHAIL	
CHIEF ARCHITECT	MOHAMED SHAMIN	
CHECKED	MOHAMED SIRAJ	
DRAWN	AHUSANA MURUSHI	

DWG. NAME:

ARCHITECTURAL

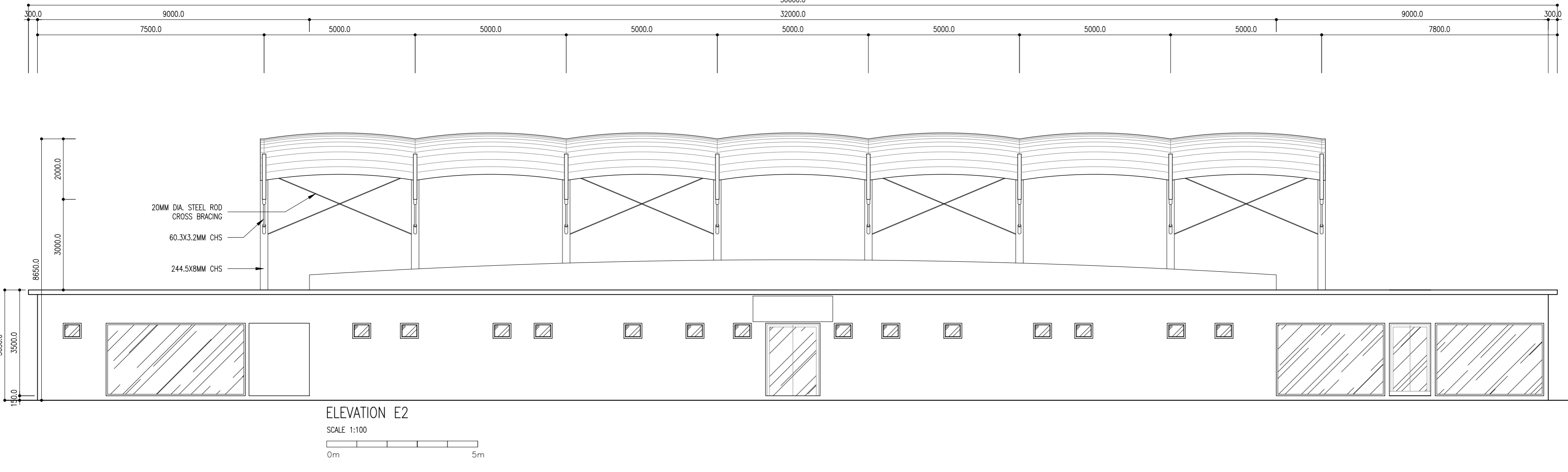
ELEVATIONS

CODE	DATE	DWG. NO:
COM-18	01-22-2020	AR03
FORMAT	A1   A2   A3	
SCALE	- 1/100 -	ISSUE: A
PDF FILE NAME:	COM-18_SCF_AR03.A	



ELEVATION E1

SCALE 1:100



ELEVATION E2

SCALE 1:100



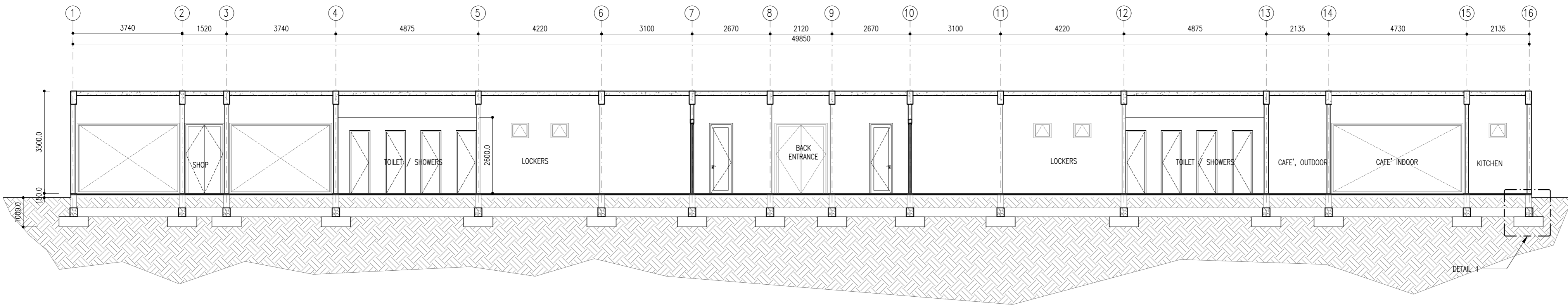
KEY PLAN:

WARNING:

- This drawing shall not be used for construction unless certified.
- Contractor to verify all dimensions of existing works on site before commencing any work or preparing shop drawings.
- Do not scale drawings; use written dimensions only.
- This drawing is to be read in conjunction with the specifications and conditions of contract.
- This drawing and design is copyright and no portion may be reproduced without the permission of the Consultant.

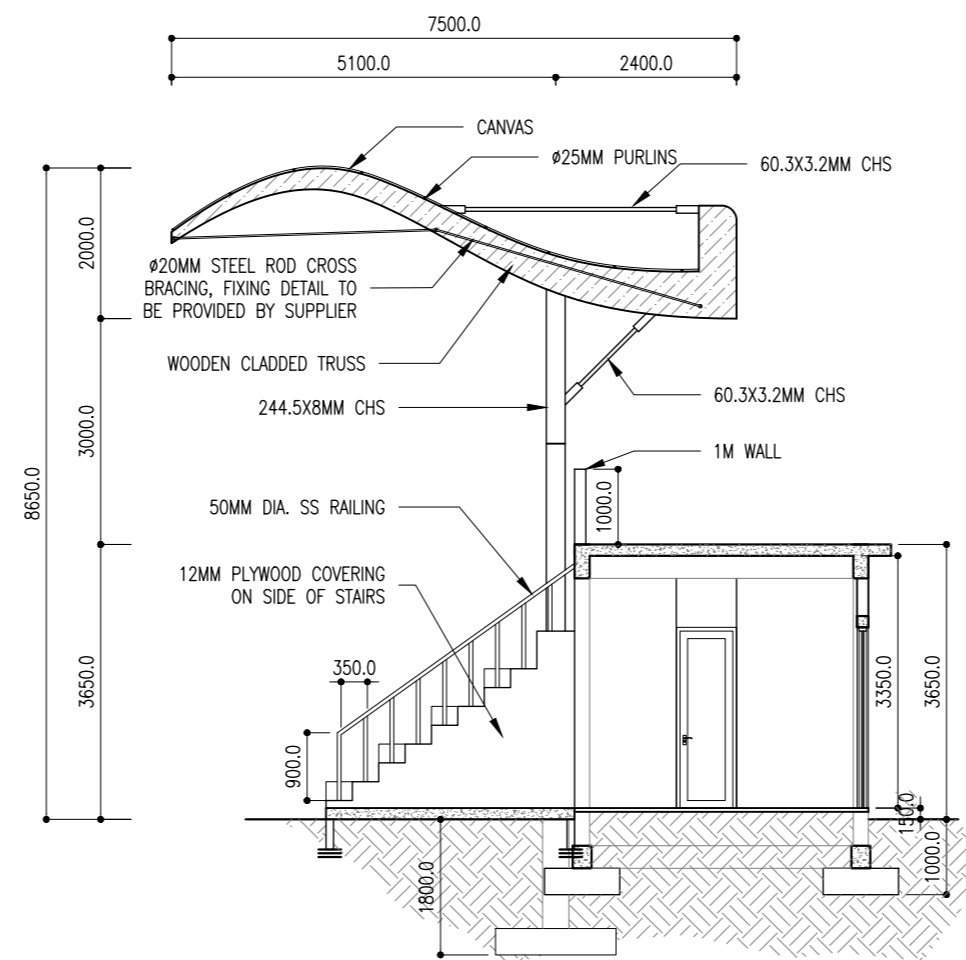
REVISIONS

NO	DESCRIPTION	DATE
----	-------------	------



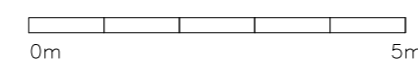
SECTION X-X

SCALE 1:100



SECTION Y-Y

SCALE 1:100



PROJECT:  
PROPOSED STADIUM SEATING, CHANGING ROOMS, SHOP, CAFE'

PHASE:  
 CONCEPT DESIGN  
 DESIGN DEVELOPMENT  
 TENDER DOCUMENT  
 FOR CONSTRUCTION  
 AS BUILD DRAWINGS

DESIGNATION	NAME	SIGNATURE
PROJECT MANAGER	MOHAMED SIRAJ	
STR. ENGINEER	AHMED ZUHAIL	
CHIEF ARCHITECT	MOHAMED SHAMIM	
CHECKED	MOHAMED SIRAJ	
DRAWN	ABUSANAMUHSIN	

DWG. NAME:  
ARCHITECTURAL

SECTIONS

CODE	DATE	DWG. NO.
COM-18	01-22-2020	ARO4
FORMAT	A1   A2   A3	
SCALE	1:100	ISSUE: A
PDF FILE NAME:	COM-18_SCF_ARO4.A	

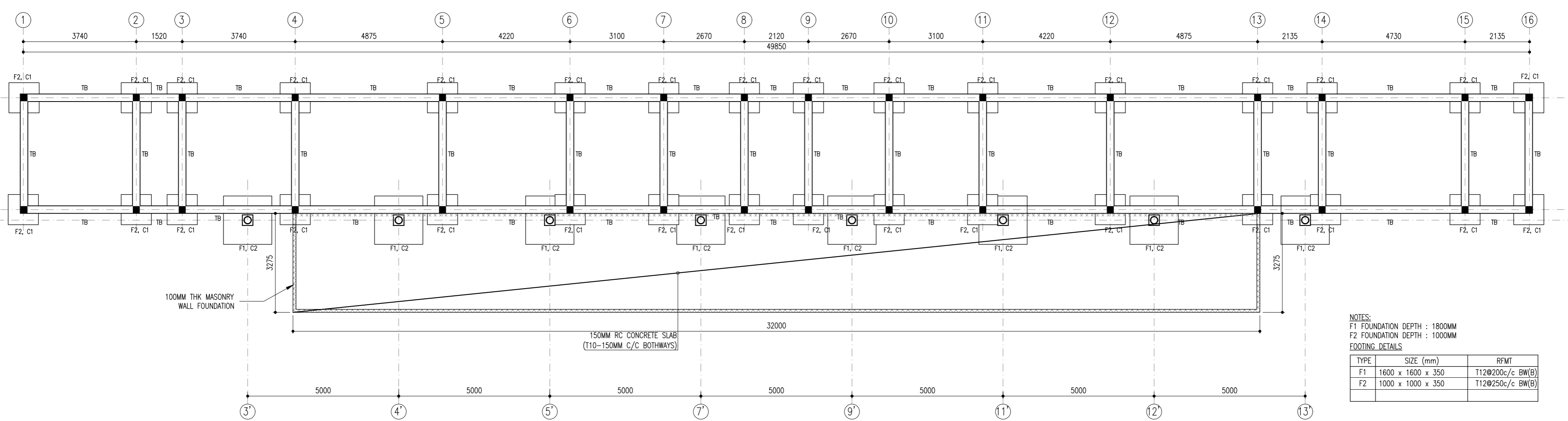


WARNING:

- This drawing shall not be used for construction unless certified.
- Contractor to verify all dimensions of existing works on site before commencing any work or preparing shop drawings.
- Do not scale drawings; use written dimensions only.
- This drawing is to be read in conjunction with the specifications and conditions of contract.
- This drawing and design is copyright and no portion may be reproduced without the permission of the Consultant

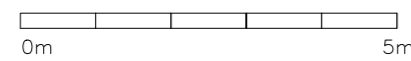
REVISIONS

NO	DESCRIPTION	DATE
----	-------------	------



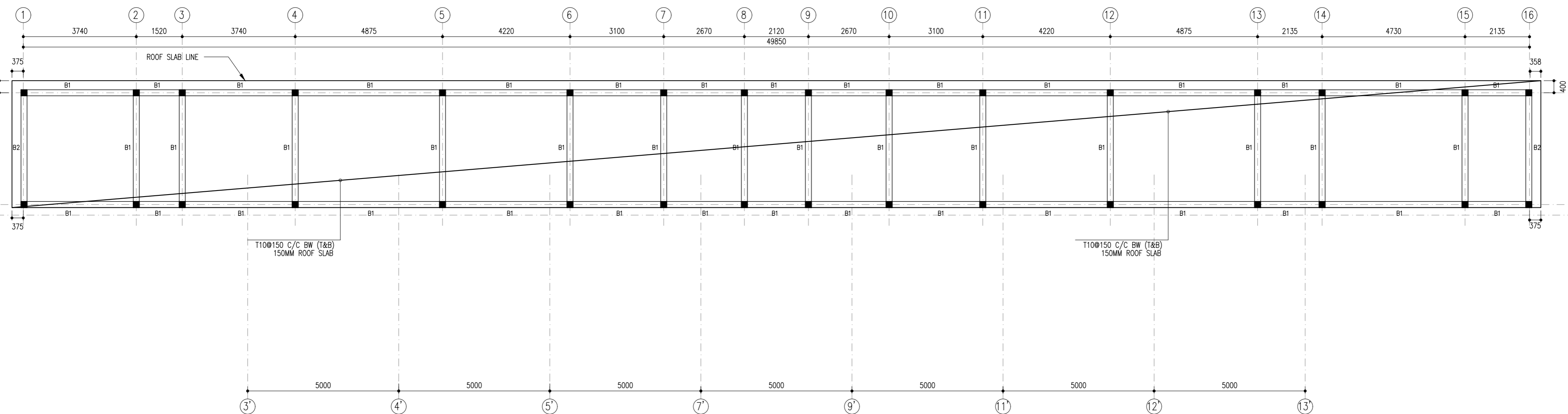
FOUNDATION & COLUMN LOCATION PLAN

SCALE 1:100



NOTES:  
F1 FOUNDATION DEPTH : 1800MM  
F2 FOUNDATION DEPTH : 1000MM  
FOOTING DETAILS

TYPE	SIZE (mm)	RFMT
F1	1600 x 1600 x 350	T12@200c/c BW(B)
F2	1000 x 1000 x 350	T12@250c/c BW(B)



ROOF BEAM & SLAB PLAN

SCALE 1:100



PROJECT:

PROPOSED STADIUM SEATING, CHANGING ROOMS, SHOP, CAFE'

PHASE:

- CONCEPT DESIGN
- DESIGN DEVELOPMENT
- TENDER DOCUMENT
- FOR CONSTRUCTION
- AS BUILD DRAWINGS

DESIGNATION	NAME	SIGNATURE
PROJECT MANAGER	MOHAMED SIRAJ	
STR. ENGINEER	AHMED ZUHAIL	
CHIEF ARCHITECT	MOHAMED SHAMIM	
CHECKED	MOHAMED SIRAJ	
DRAWN	AHUSANA MUKHUSRI	

DWG. NAME:

STRUCTURAL

FOUNDATION, COLUMN, ROOF BEAM & SLAB PLAN

CODE	DATE	DWG. NO.
COM-18	01-22-2020	ST01
FORMAT	A1   A2   A3	
SCALE	- 1:100 -	ISSUE A
PDF FILE NAME: COM-18_SCF_ST01A		



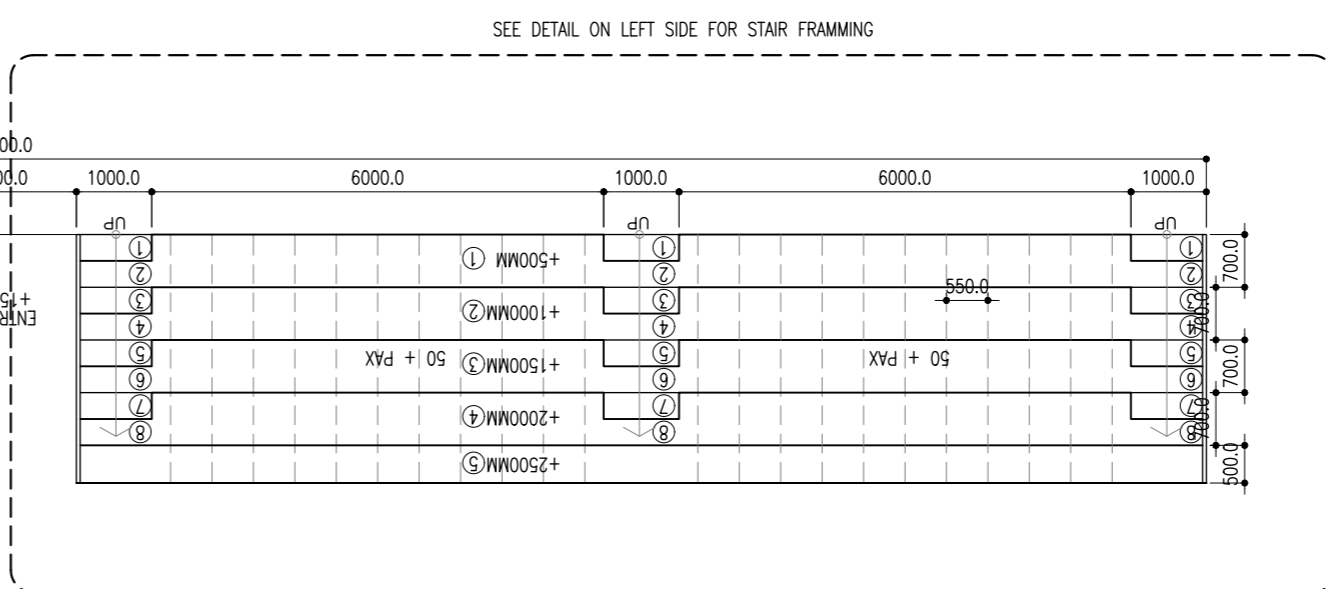
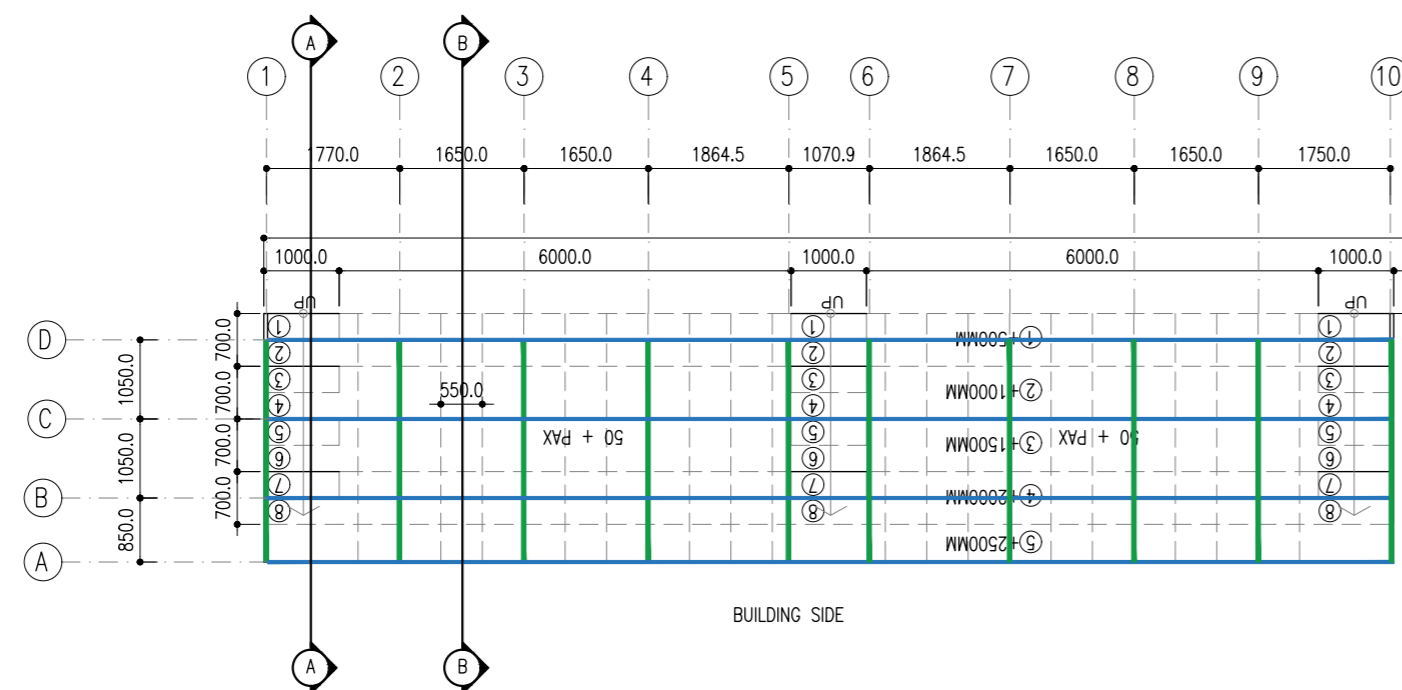


WARNING:

- This drawing shall not be used for construction unless certified.  
- Contractor to verify all dimensions of existing works on site before commencing any work or preparing shop drawings. Do not scale drawings; use written dimensions only.  
- This drawing is to be read in conjunction with the specifications and conditions of contract.  
- This drawing and design is copyright and no portion may be reproduced without the permission of the Consultant

REVISIONS

NO	DESCRIPTION	DATE

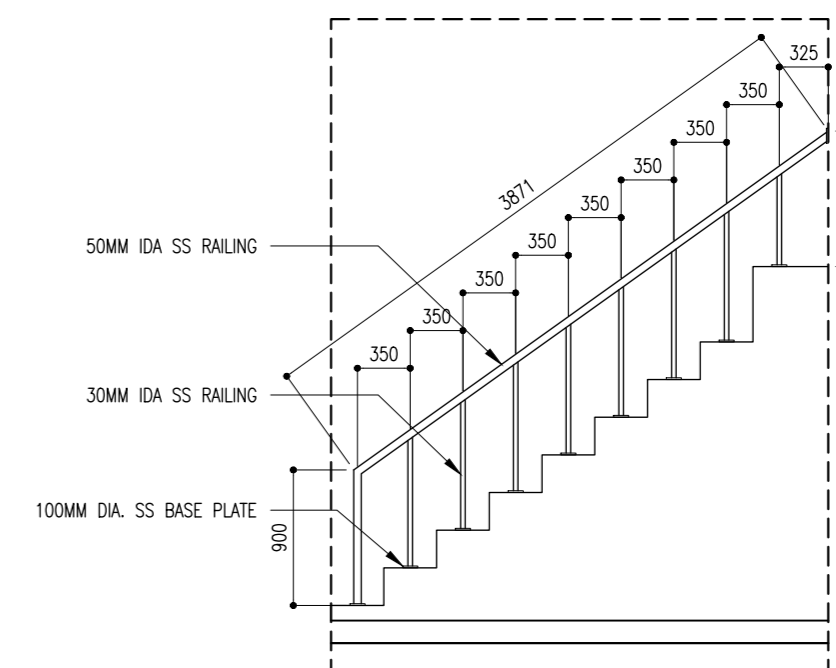


STAIR FRAME LAYOUT

SCALE 1:100  
0m 5m

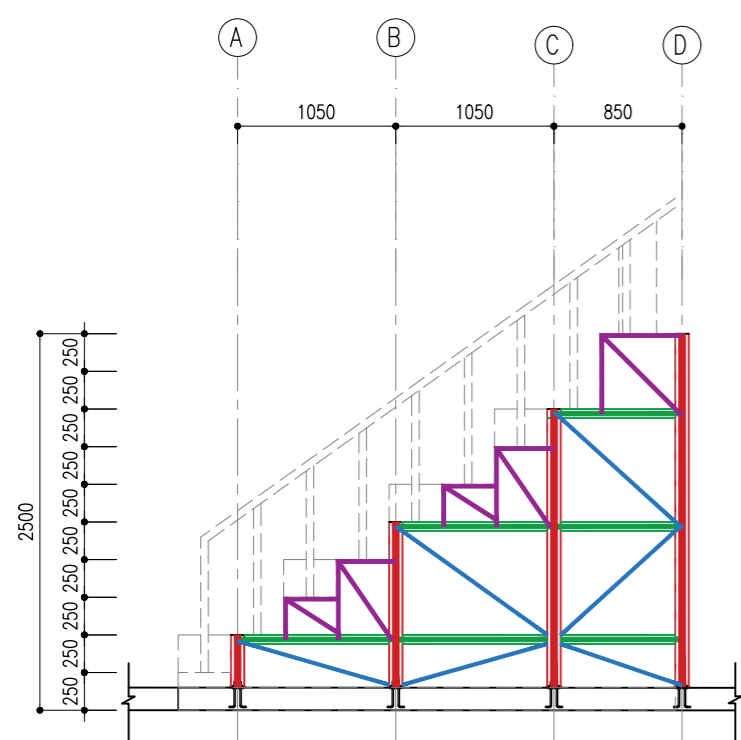
STEEL SECTION SIZES

<span style="color: green;">—</span>	60.3 x 5.0mm CHS
<span style="color: blue;">—</span>	42.4 x 3.0mm CHS



RAILING DETAILS

SCALE 1: 50  
0m 2.5m



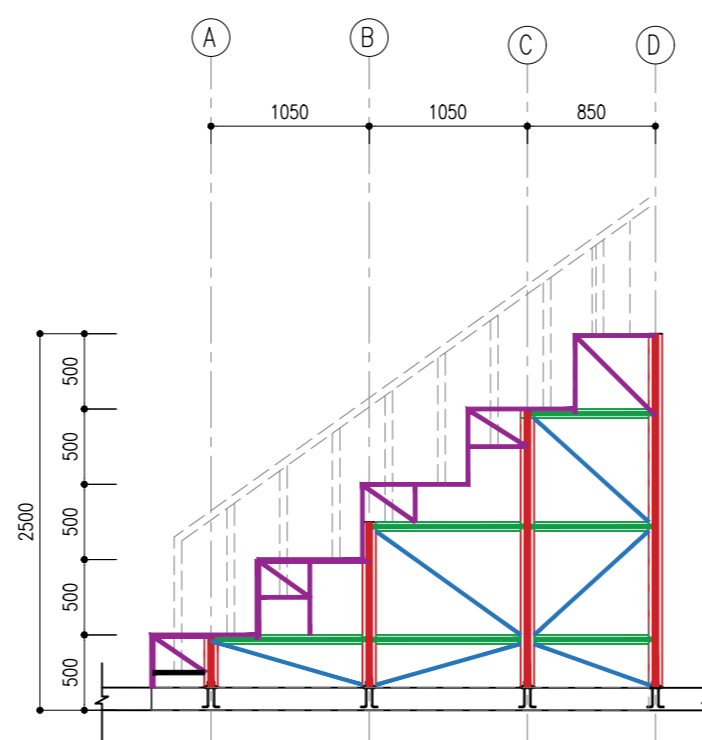
STAIR FRAME LAYOUT (SECTION A)

SCALE 1: 50  
0m 2.5m

STEEL SECTION SIZES

<span style="color: red;">—</span>	88.9 x 6.0mm CHS
<span style="color: green;">—</span>	60.3 x 5.0mm CHS
<span style="color: blue;">—</span>	42.4 x 3.0mm CHS
<span style="color: purple;">—</span>	50 x 2.0mm CHS

SUPPLIER SHALL PROVIDE ALL THE JOINT AND CONNECTION DETAILS PRIO FABRICATION



STAIR FRAME LAYOUT (SECTION B)

SCALE 1: 50  
0m 2.5m

STEEL SECTION SIZES

<span style="color: red;">—</span>	88.9 x 6.0mm CHS
<span style="color: green;">—</span>	60.3 x 5.0mm CHS
<span style="color: blue;">—</span>	42.4 x 3.0mm CHS
<span style="color: purple;">—</span>	50 x 2.0mm CHS

SUPPLIER SHALL PROVIDE ALL THE JOINT AND CONNECTION DETAILS PRIO FABRICATION

PROJECT:

PROPOSED STADIUM SEATING, CHANGING ROOMS, SHOP, CAFE'

PHASE:

- CONCEPT DESIGN
- DESIGN DEVELOPMENT
- TENDER DOCUMENT
- FOR CONSTRUCTION
- AS BUILD DRAWINGS

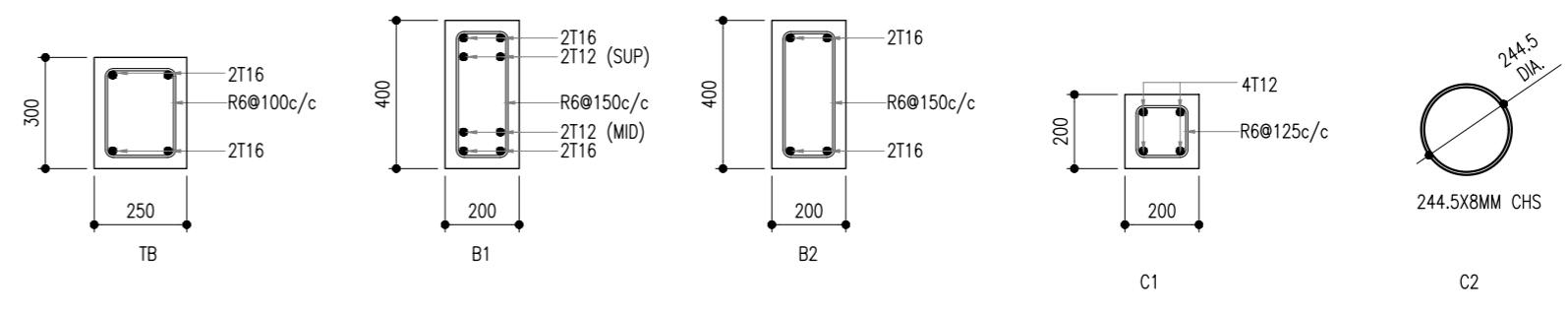
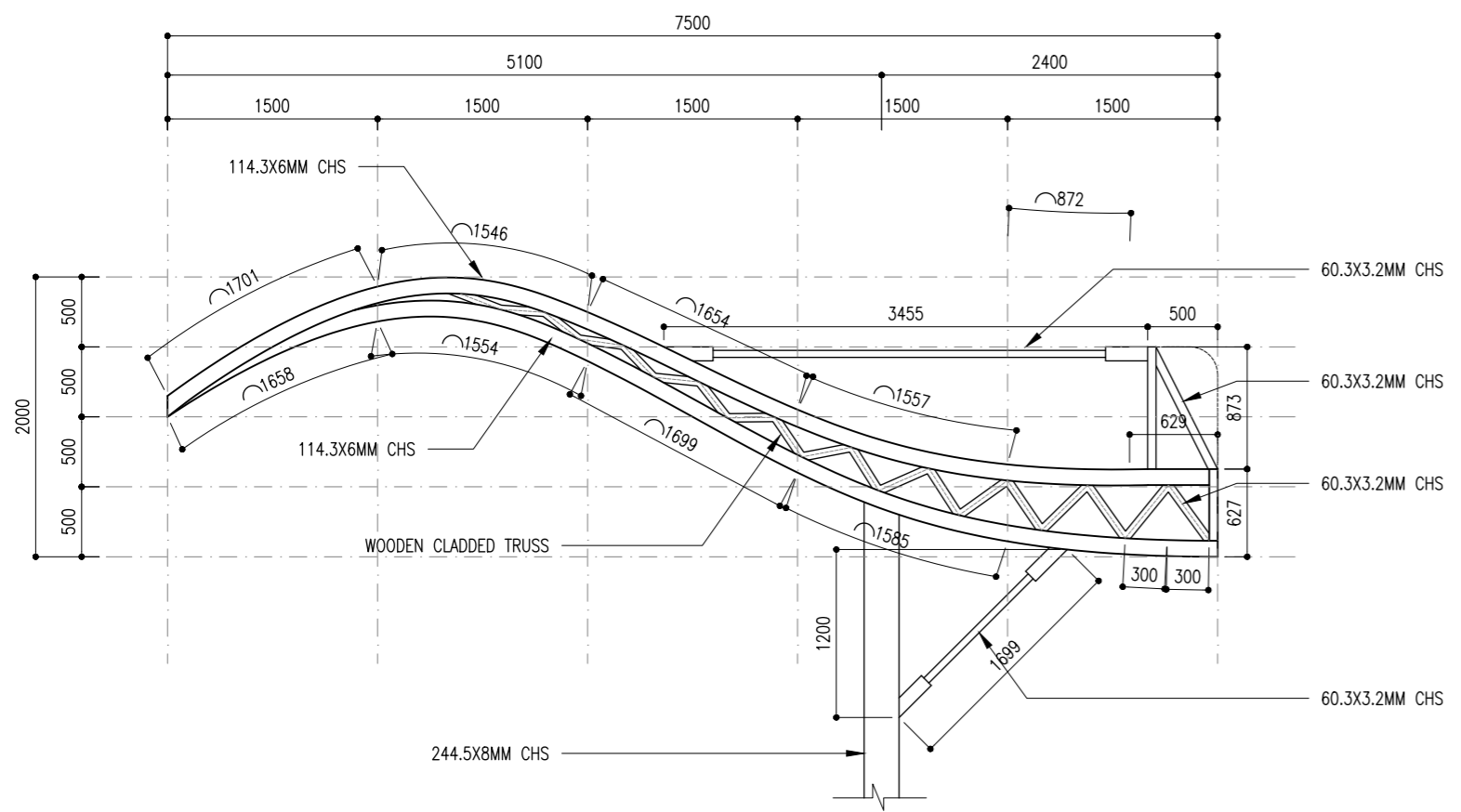
DESIGNATION	NAME	SIGNATURE
PROJECT MANAGER	MOHAMED SIRAJ	
STR. ENGINEER	AHMED ZUHAIL	
CHIEF ARCHITECT	MOHAMED SHAMM	
CHECKED	MOHAMED SIRAJ	
DRAWN	AHUSANA MUKHUSRI	

DWG. NAME:

STRUCTURAL

STAIR DETAILS

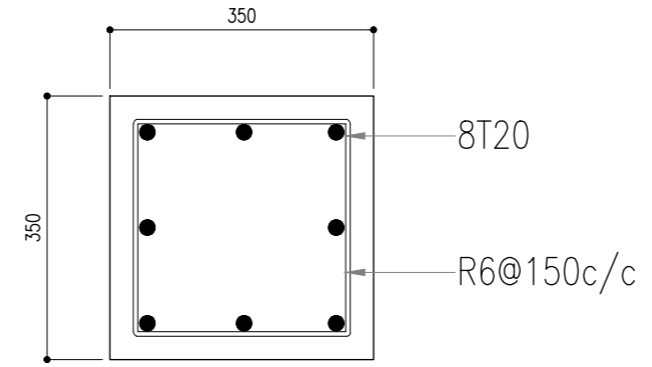
CODE	DATE	DWG. NO.
COM-18	01-22-2020	ST03
FORMAT	A1   A2   A3	
SCALE	- 1:50 -	ISSUE A
PDF FILE NAME:	COM-18_SCF_ST03.A	



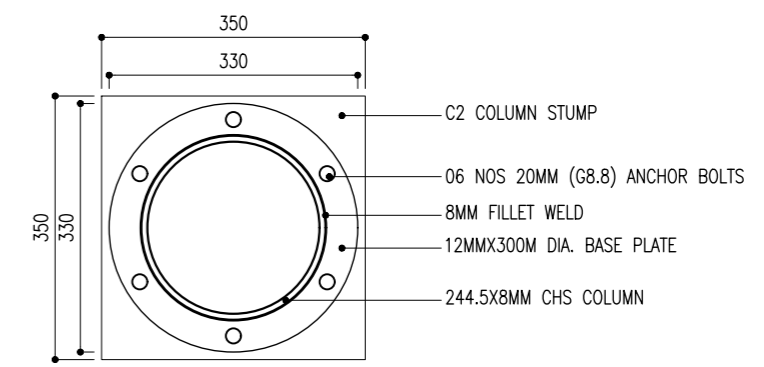
STRUCTURAL DETAILS  
SCALE 1:20  
0m 1m

NOTE:  
COVER TO FOUNDATION = 50MM  
COVER TO SLAB = 25-30MM  
COVER TO BEAM = 30-35MM  
COVER TO COLUMN = 35-40MM  
BEAMS BEND-UP BARS = 12XDIA  
ANCHOR BARS = 55XDIA  
LAPPING BARS = 45XDIA  
MID BARS = 0.85 X SPAN  
SUPPORT BARS = 1/3 X SPAN  
MIX RATIO = 1:2:3 ( CEMENT : SAND : AGGREGATE )

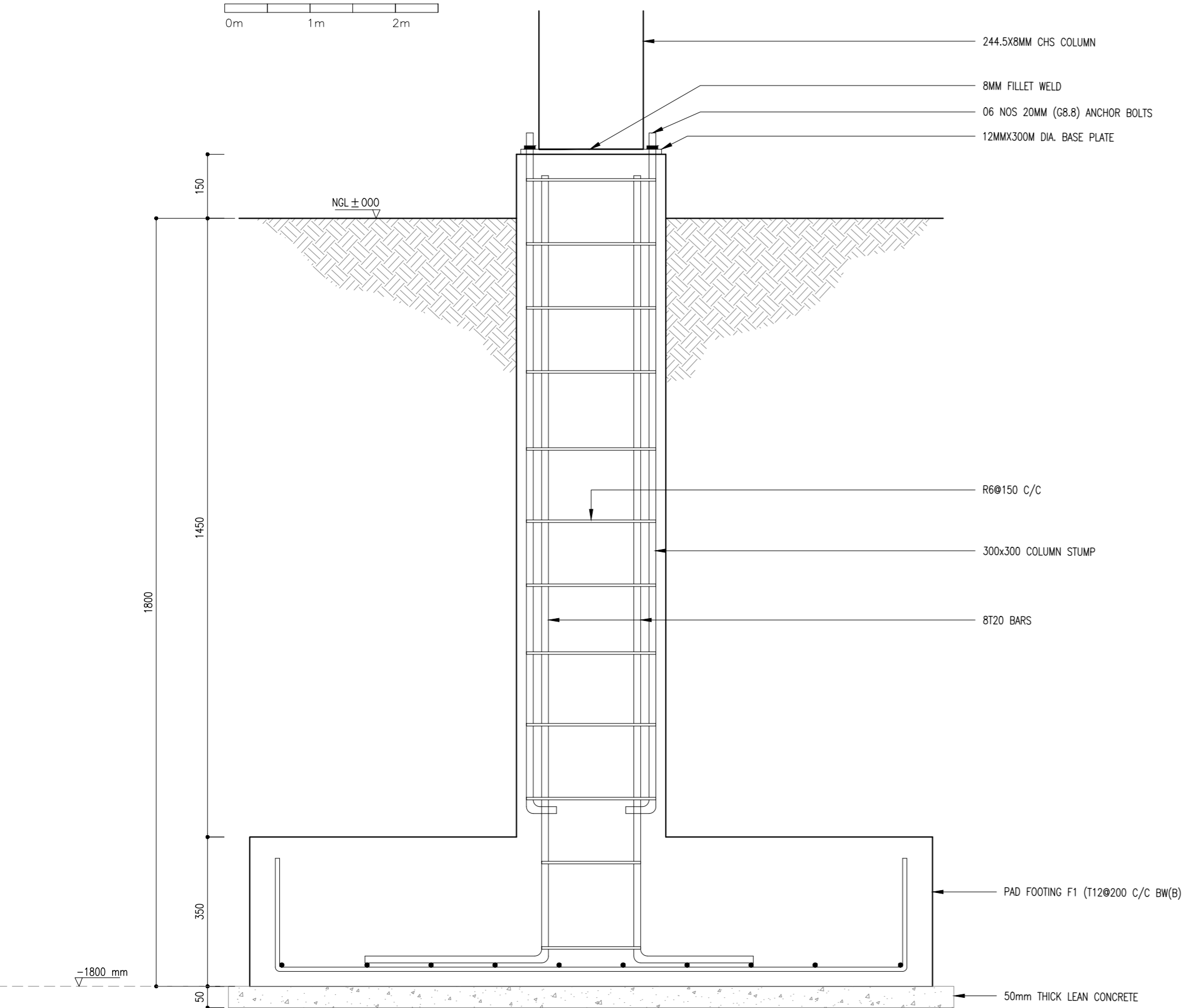
TRUSS TR1 DETAILS  
SCALE 1:50  
0m 1m 2m



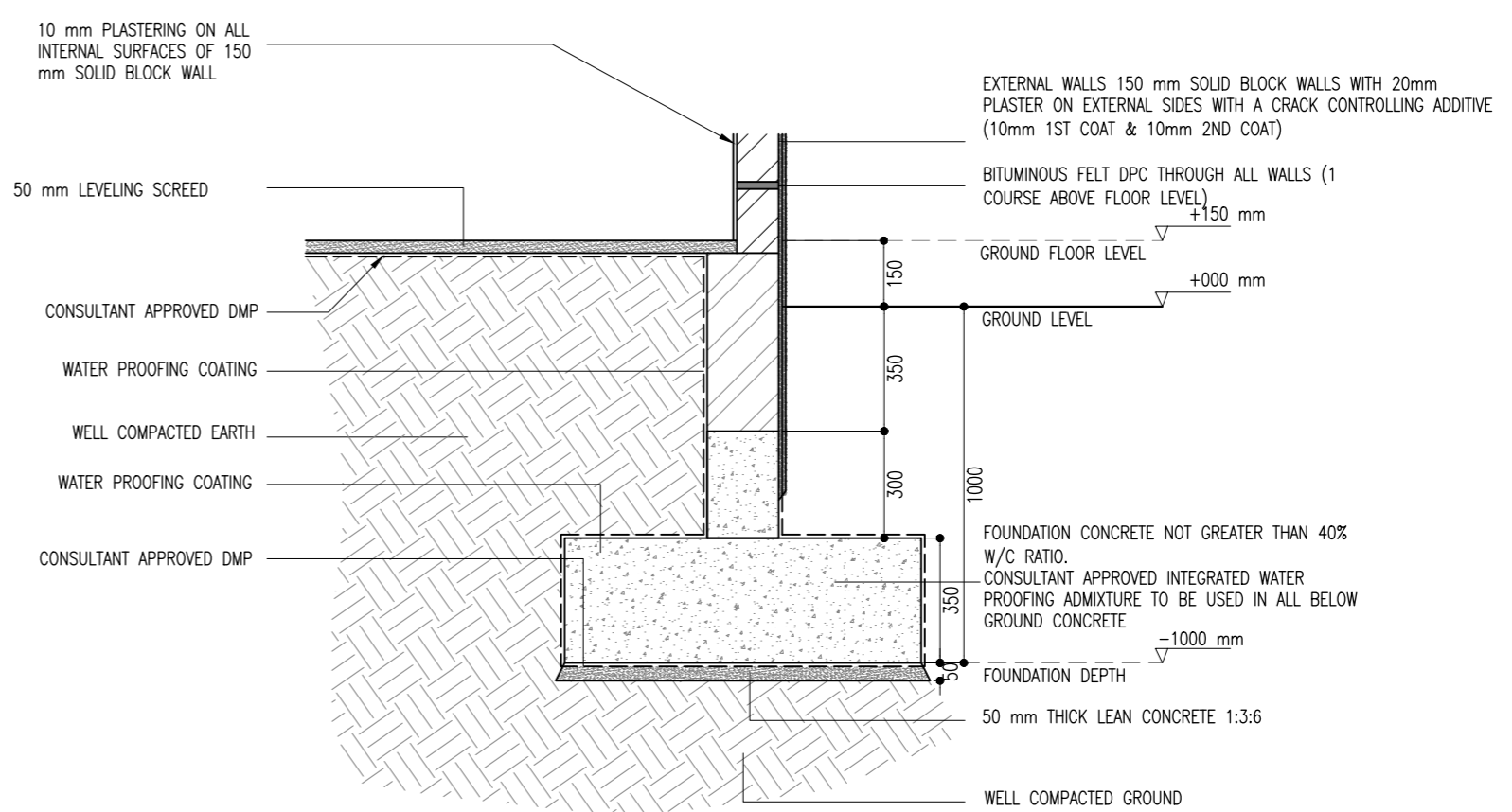
C2-STUMP DETAIL  
SCALE 1:10  
0m 0.5m



C2-PLATE PLAN  
SCALE 1:10  
0m 0.5m



FOOTING F1 DETAILS  
SCALE 1:10  
0m 0.5m

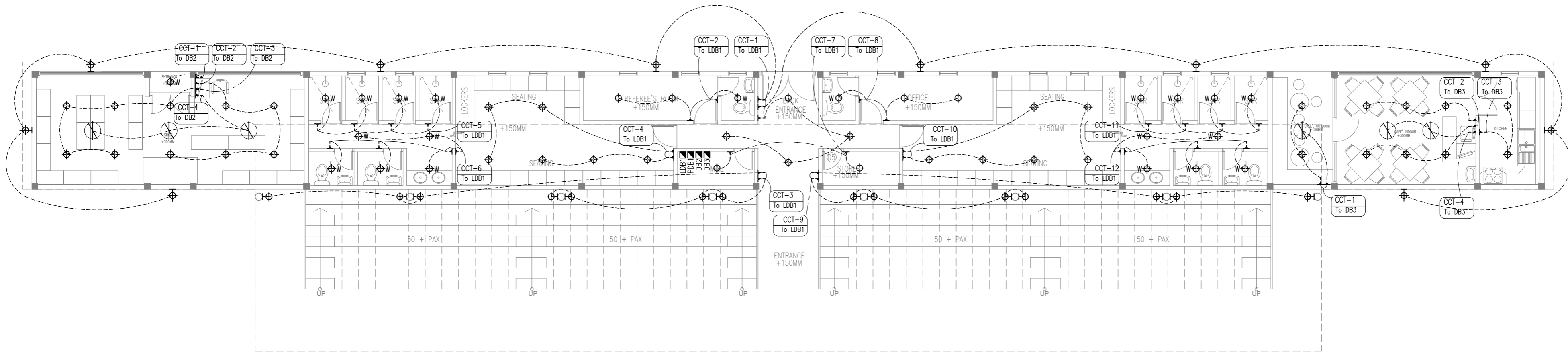


FOOTING F2 DETAILS  
SCALE 1:20  
0m 1m

WARNING:  
- This drawing shall not be used for construction unless certified.  
- Contractor to verify all dimensions of existing works on site before commencing any work or preparing shop drawings.  
- Do not scale drawings; use written dimensions only.  
- This drawing is to be read in conjunction with the specifications and conditions of contract.  
- This drawing and design is copyright and no portion may be reproduced without the permission of the Consultant.

REVISIONS

NO	DESCRIPTION	DATE
----	-------------	------

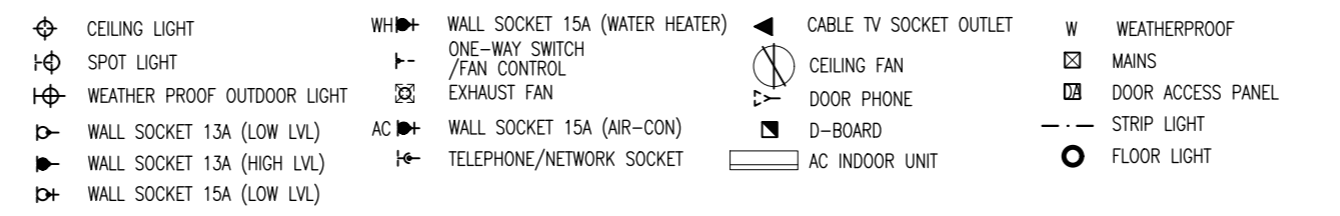


ELECTRICAL LIGHTING LAYOUT

SCALE 1:100

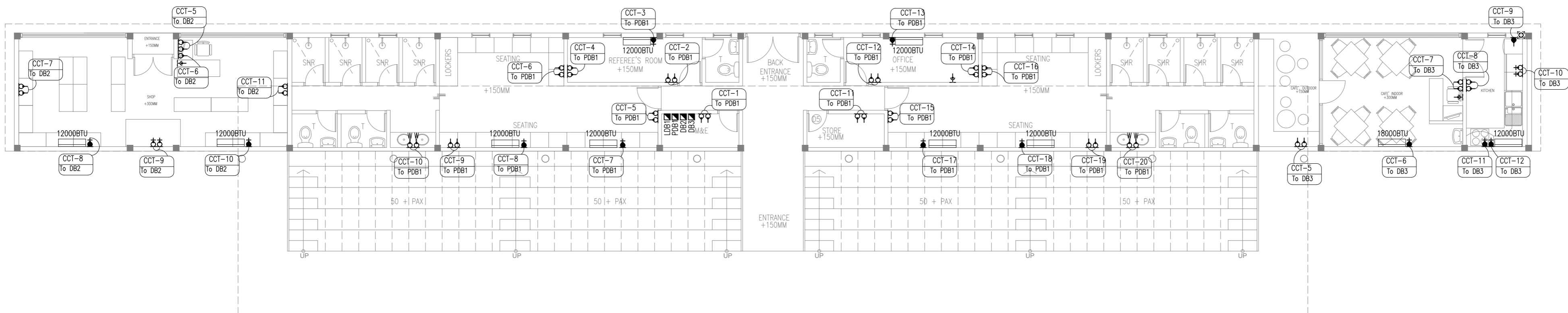


LEGEND



NOTE:

THE DRAWINGS ARE SCHEMATIC. DETAILED SYSTEMS DESIGN AND CONDUITING SHALL BE DONE BY CONTRACTOR AND SUBMITTED FOR APPROVAL BEFORE INSTALLATION.



POWER SOCKETS & AC LAYOUT

SCALE 1:100



PROJECT:

PROPOSED STADIUM SEATING, CHANGING ROOMS, SHOP, CAFE

PHASE:

- CONCEPT DESIGN
- DESIGN DEVELOPMENT
- TENDER DOCUMENT
- FOR CONSTRUCTION
- AS BUILD DRAWINGS

DESIGNATION	NAME	SIGNATURE
PROJECT MANAGER	MOHAMED SIRAJ	
STR. ENGINEER	AHMED ZUHAIL	
CHEF ARCHITECT	MOHAMED SHAMM	
CHECKED	MOHAMED SIRAJ	
DRAWN	AHUSANA MUHAMMAD	

DWG. NAME:

ELECTRICAL

ELECTRICAL LIGHTING, POWER SOCKETS & AC LAYOUT

CODE	DATE	DWG. NO:
COM-18	01-22-2020	ELO1
FORMAT	A1   A2   A3	
SCALE	1:100	ISSUE A
PDF FILE NAME: COM-18_SCF_ELO1A		

