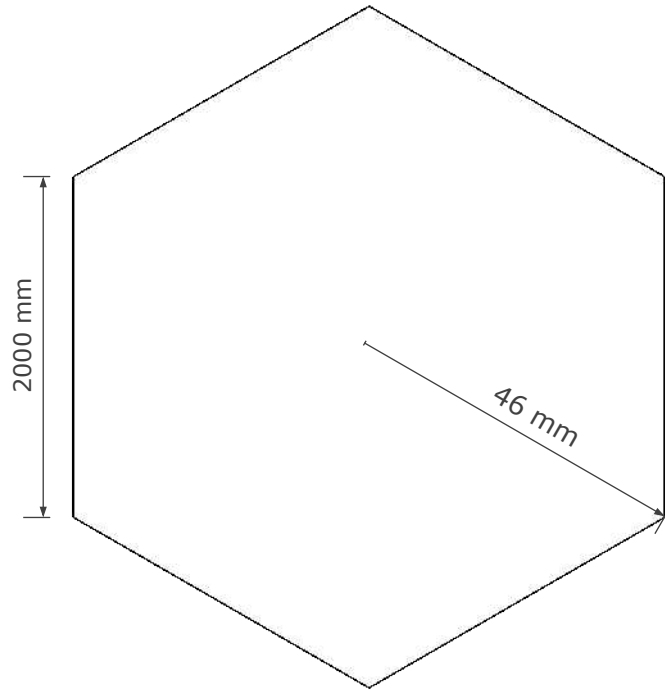
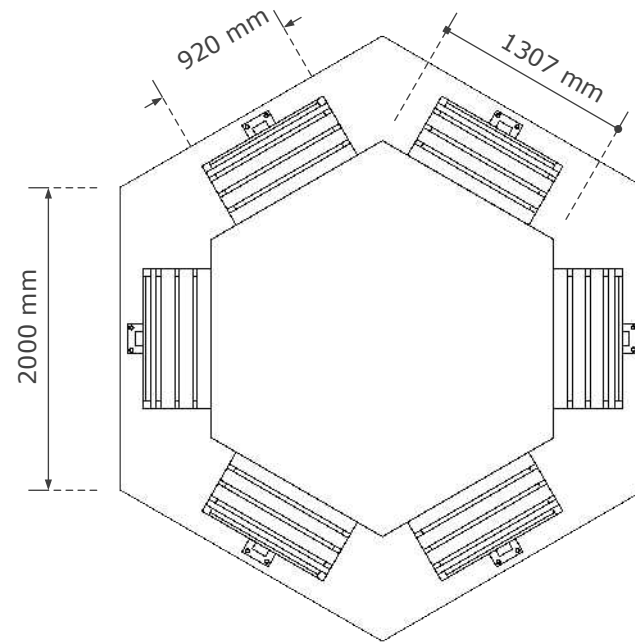


HUT



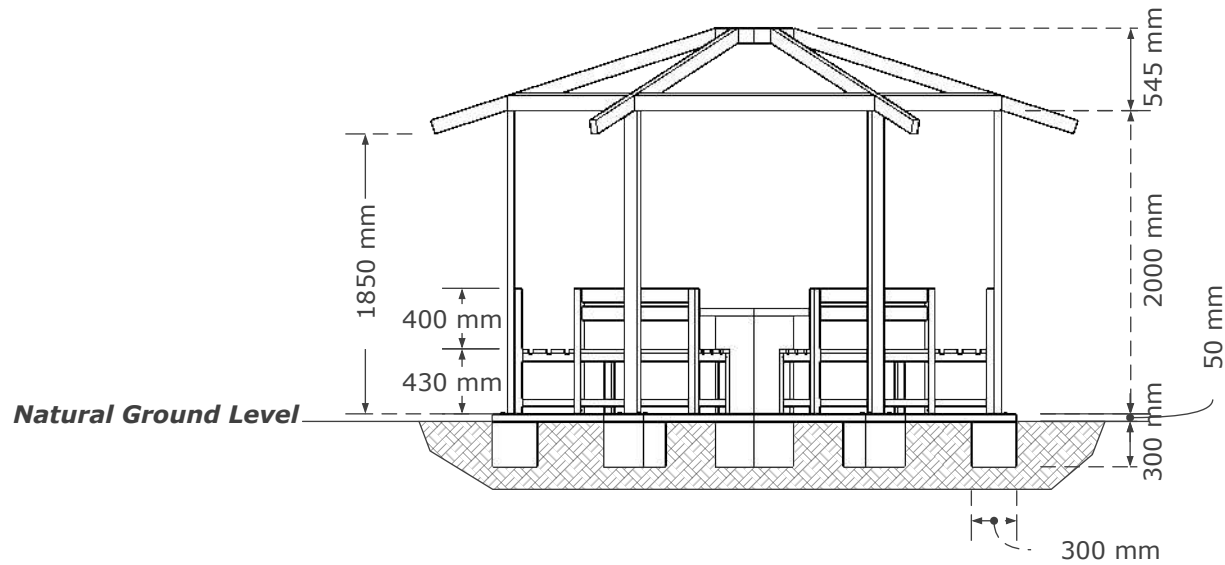
SITE PLAN

Scale: 1 : 50



FLOOR PLAN

Scale: 1 : 50

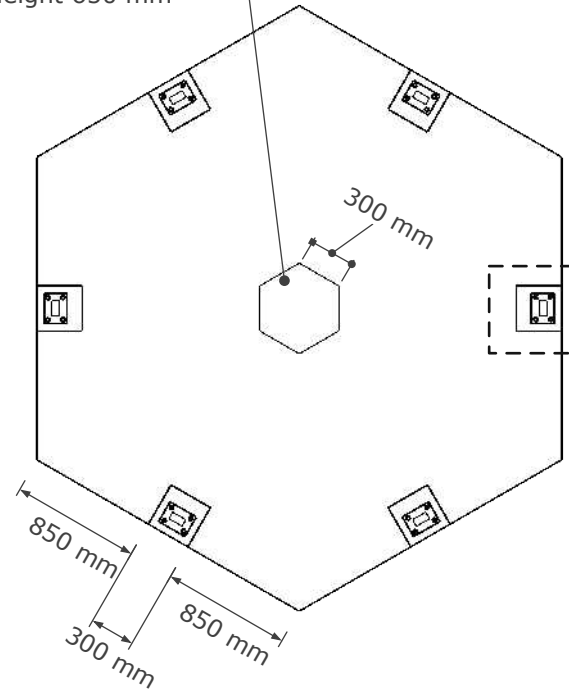


FRONT SECTION

Scale: 1 : 50



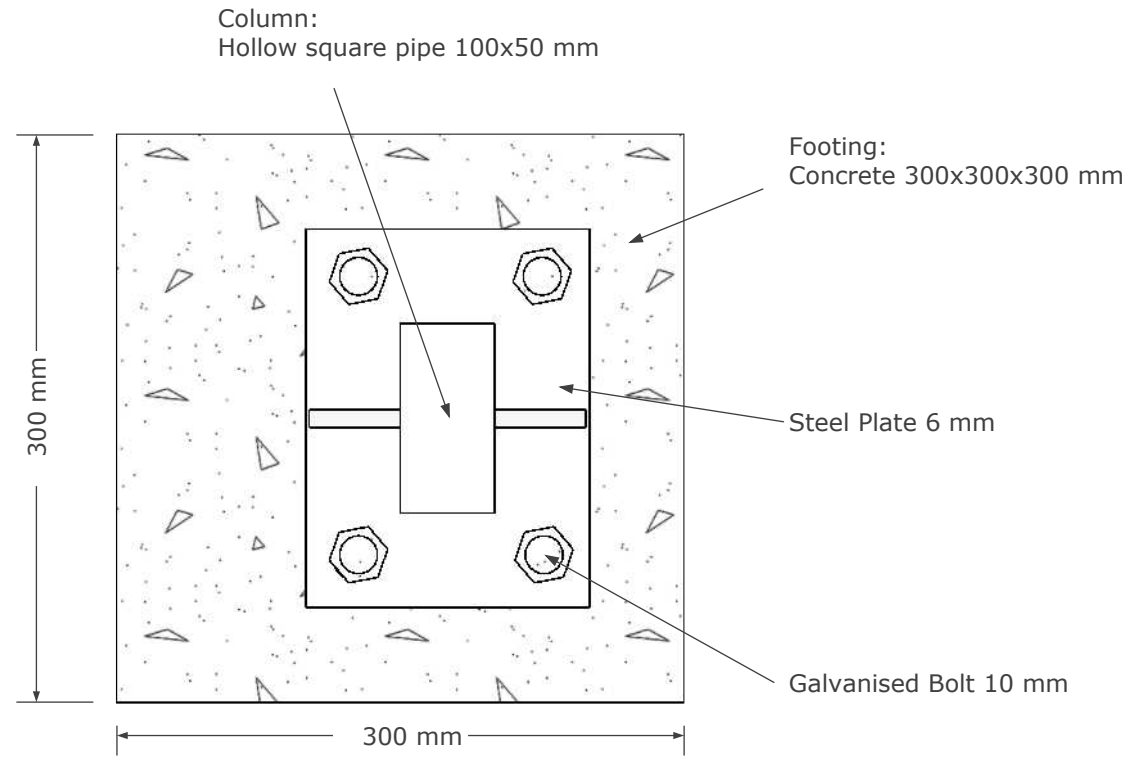
Table Stand
Height 650 mm



FOUNDATION PLAN

Scale: 1 : 50





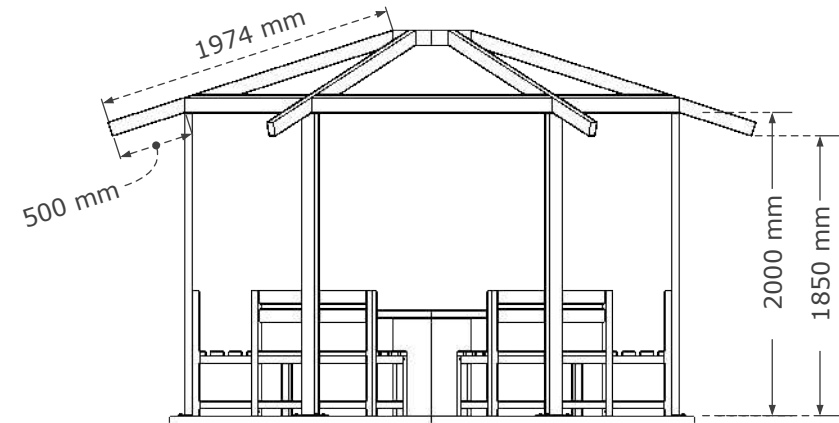
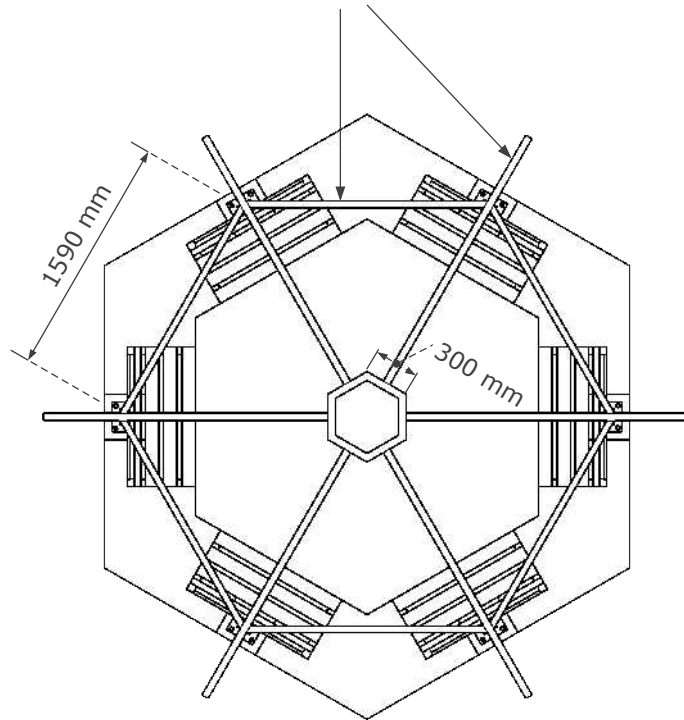
FOUNDATION DETAILS

Scale: 1 : 50





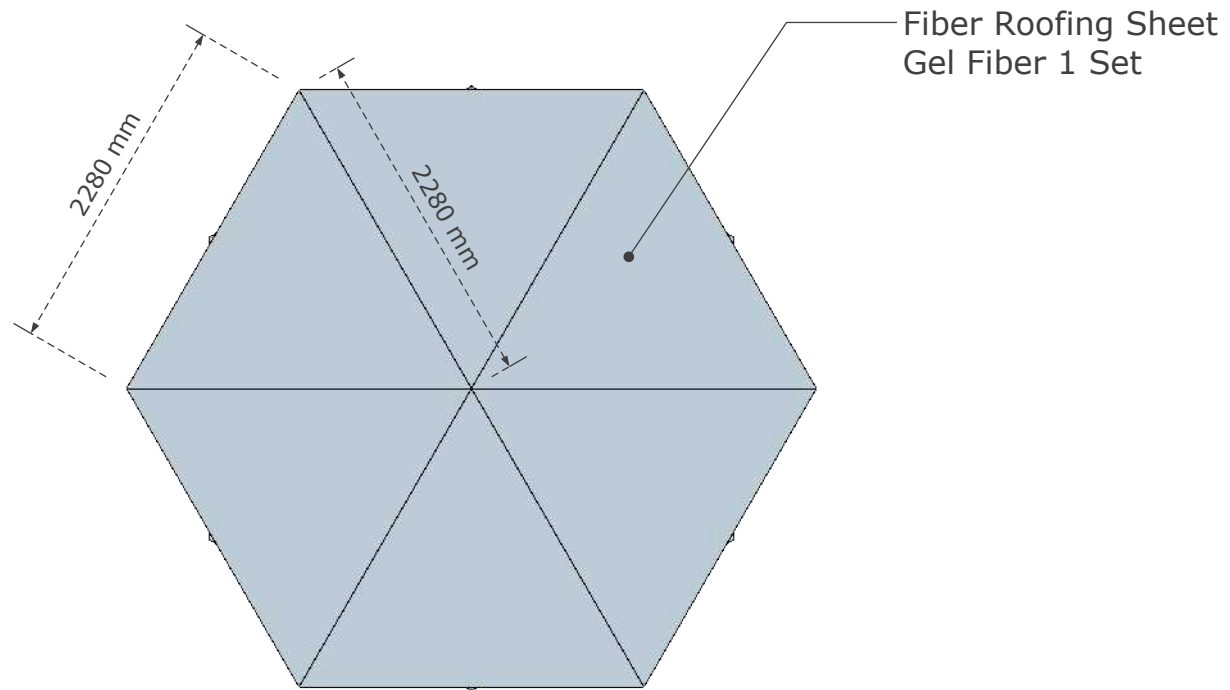
Wooden Timber 100x50 mm



ROOF FRAME PLAN

Scale: 1 : 50





ROOF PLAN

Scale: 1 : 50



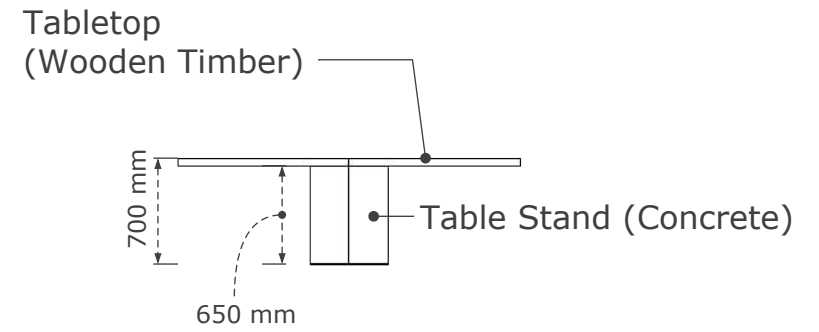
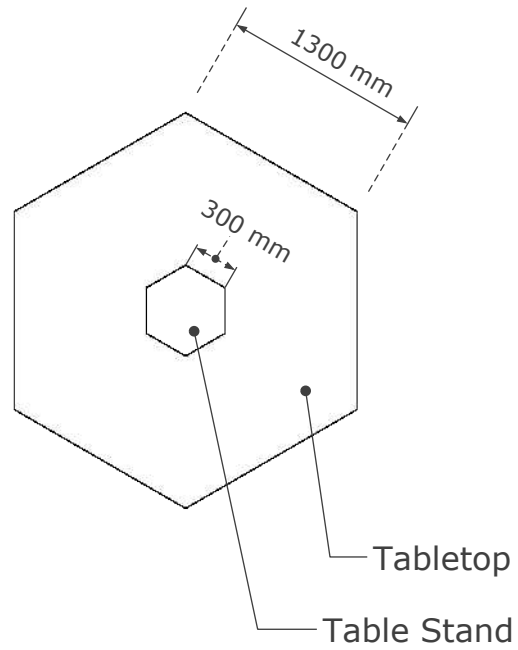
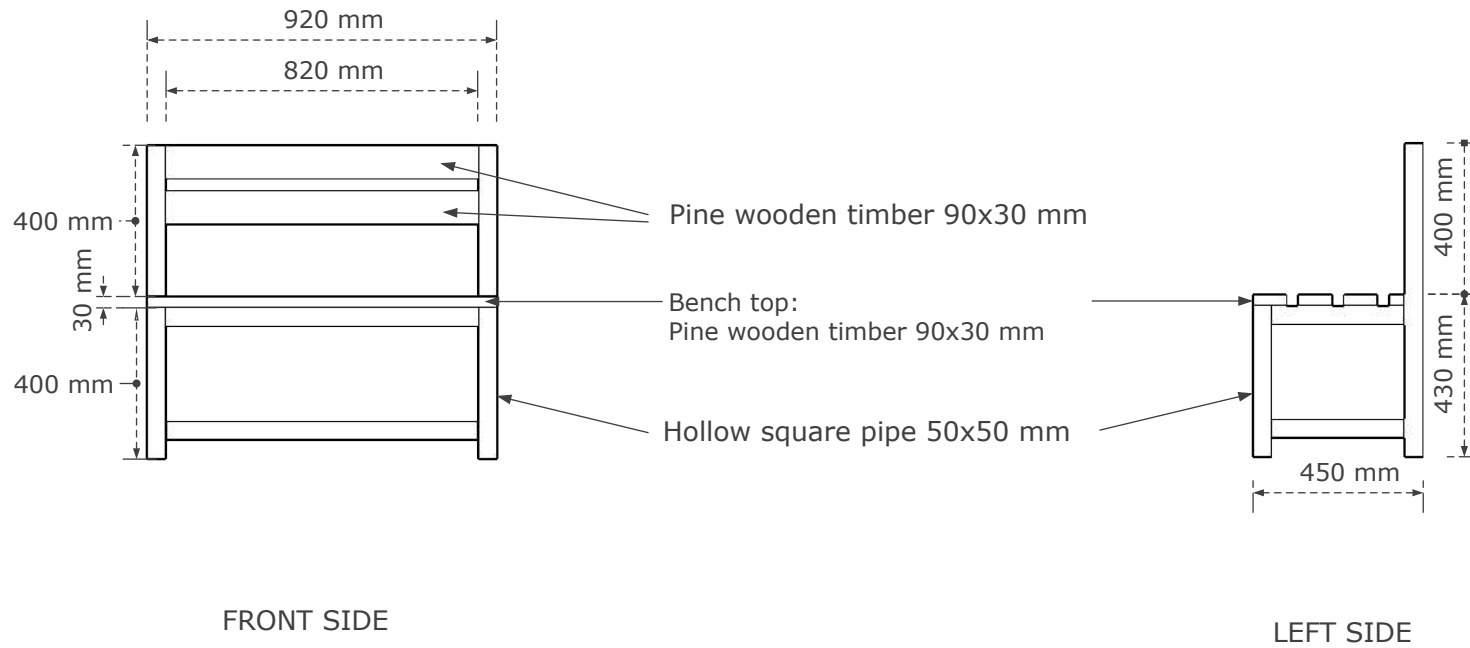


TABLE PLAN

Scale: 1 : 50



BENCH DEATAILS

Scale: 1 : 20