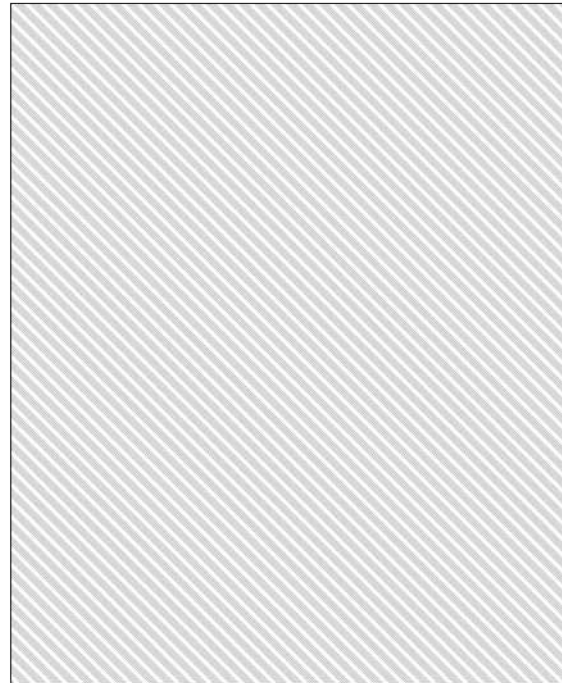


BENCH 1



2200 mm

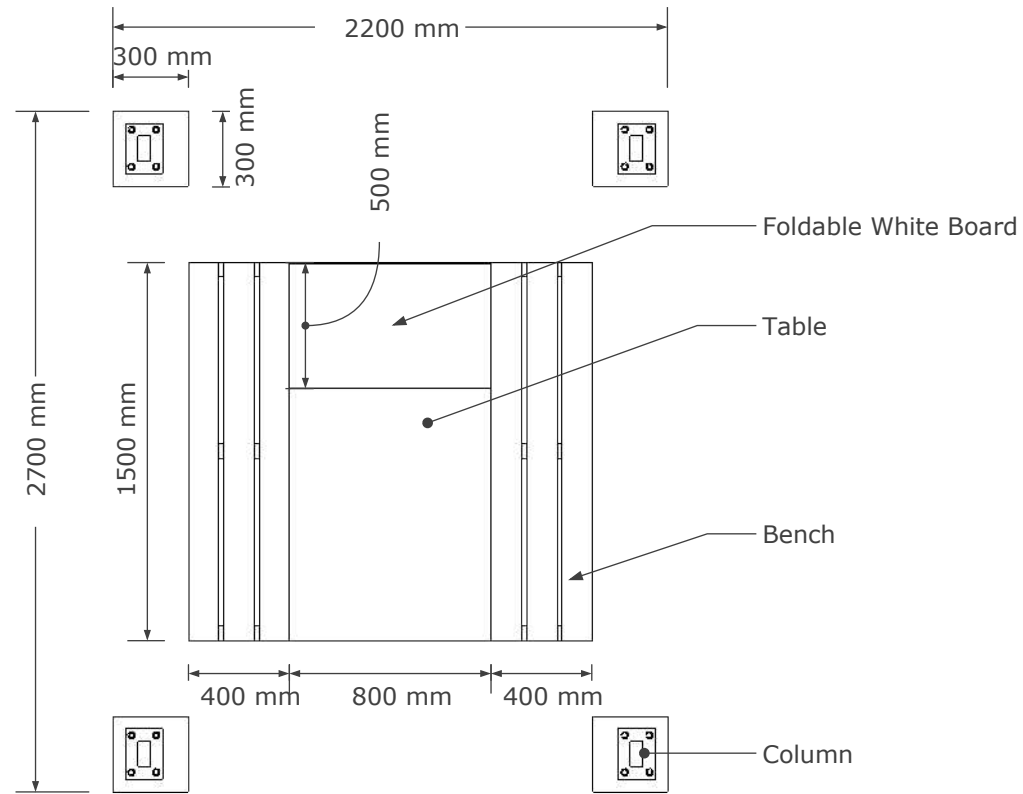
2700 mm



SITE PLAN

Scale: 1 : 30

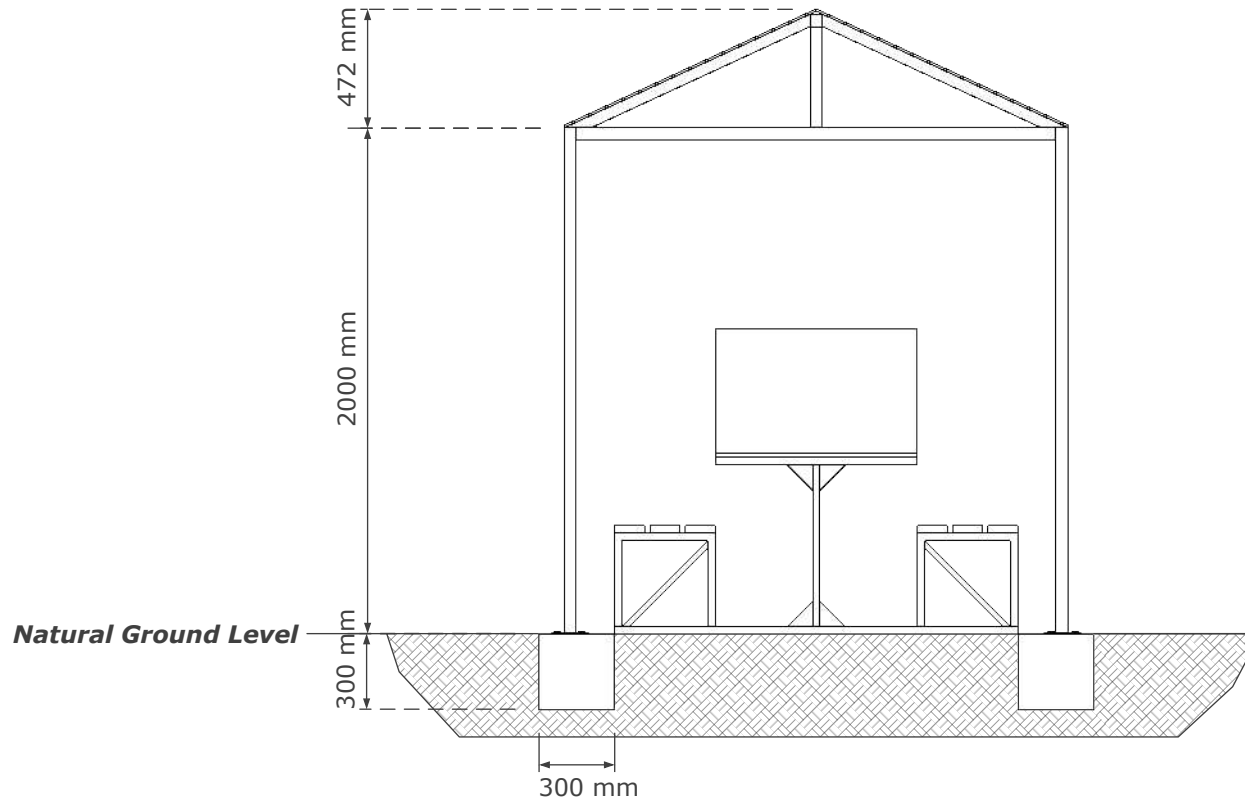




FLOOR PLAN

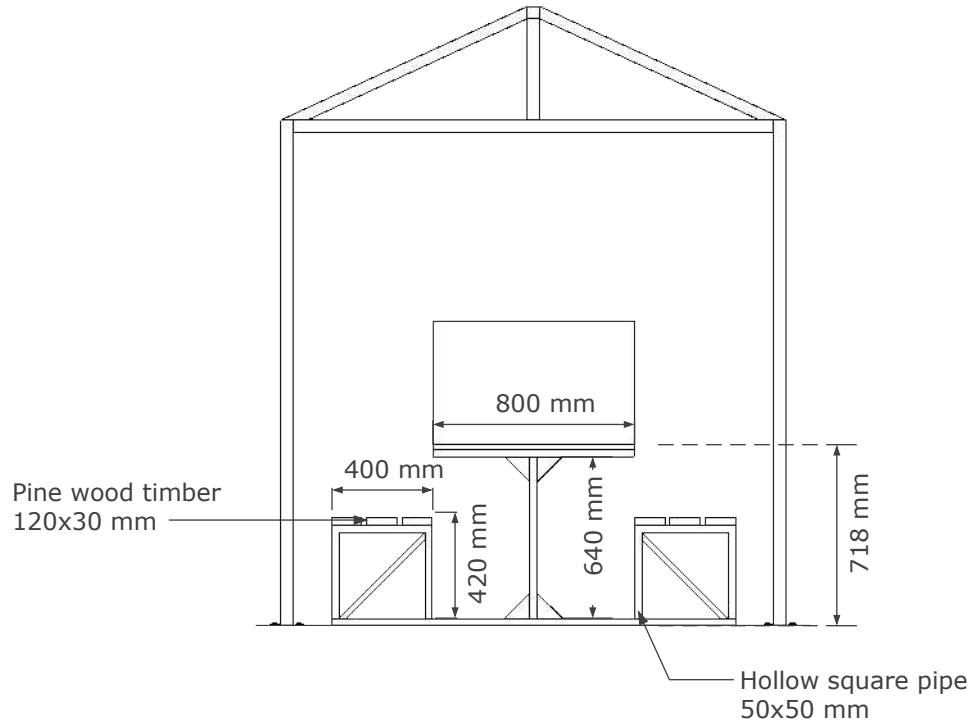
Scale: 1 : 30





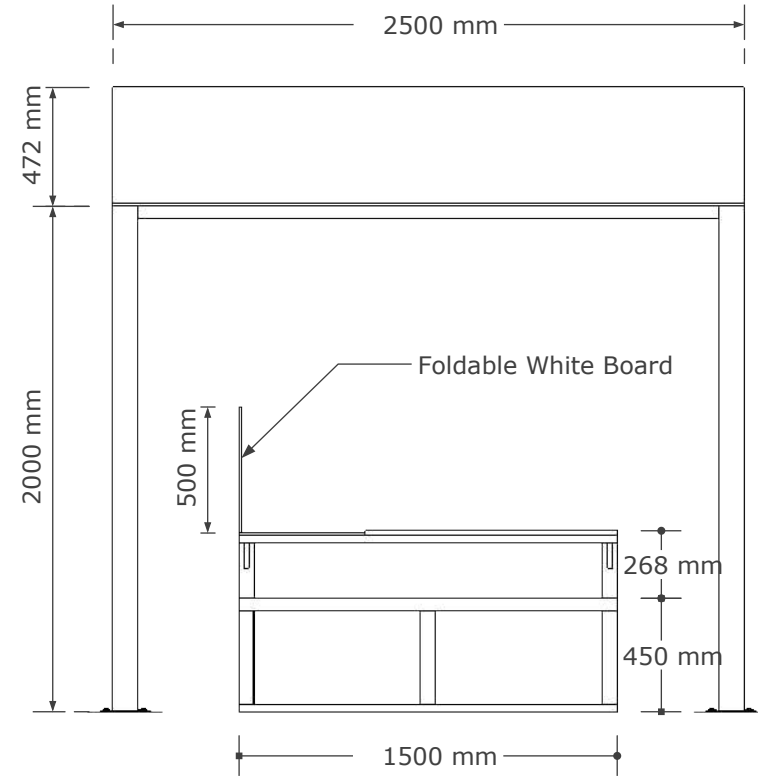
FRONT SECTION

Scale: 1 : 30



FRONT ELEVATION (E1)

Scale: 1 : 30



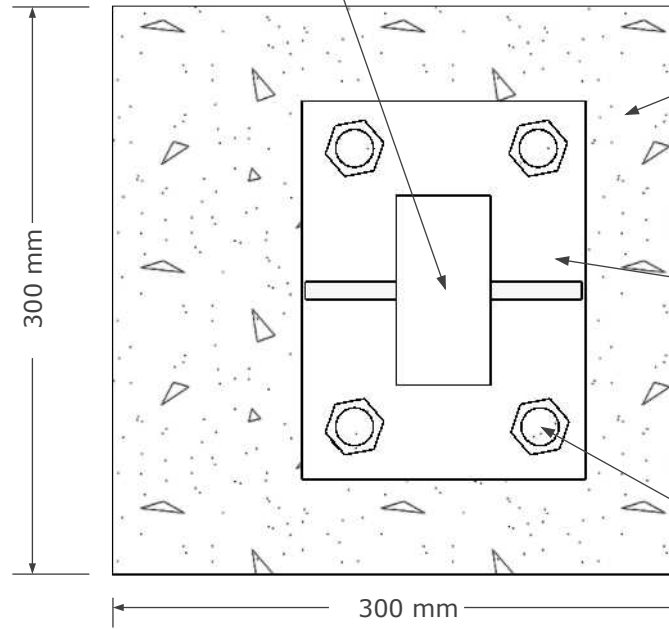
SIDE ELEVATION (E2)

Scale: 1 : 30



Column:
Hollow square pipe 100x50 mm

Footing:
Concrete 300x300x300 mm



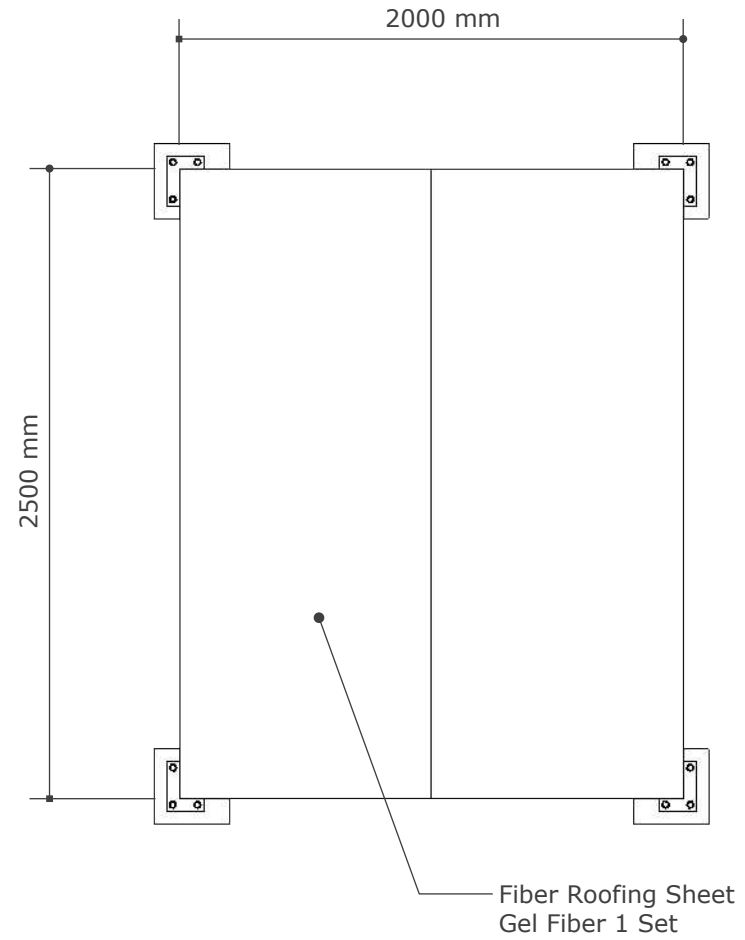
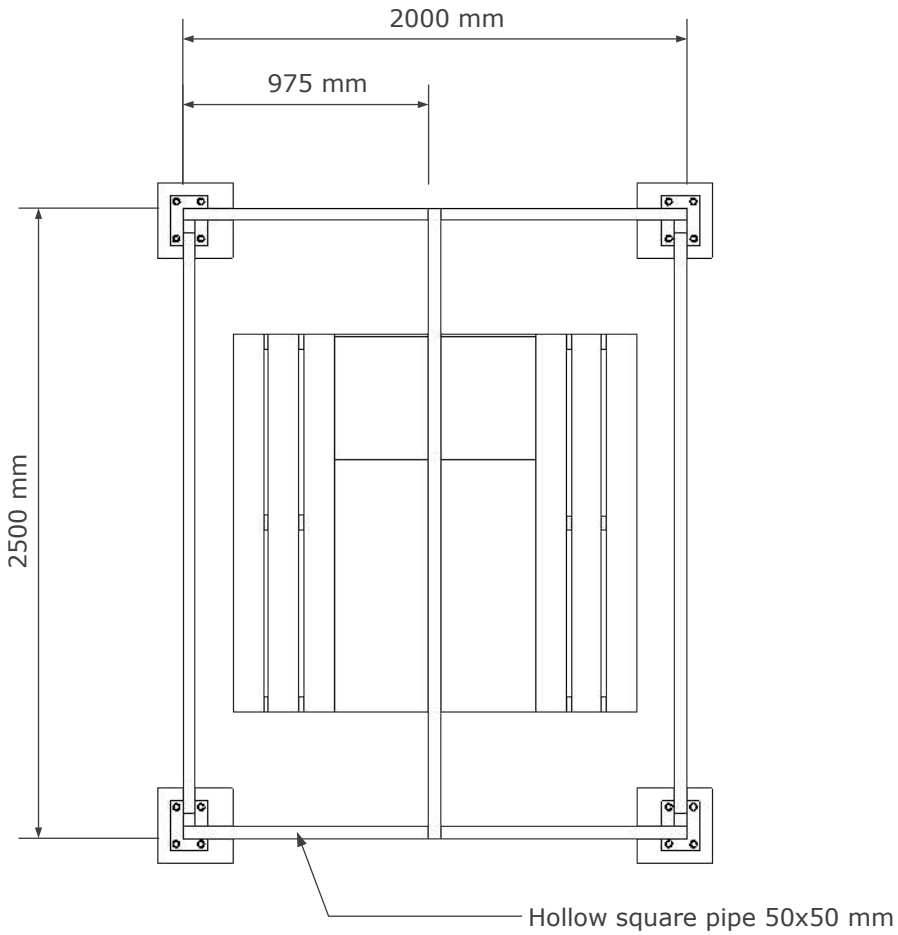
Steel Plate 6 mm

Galvanised Bolt 10 mm



FOUNDATION DETAILS

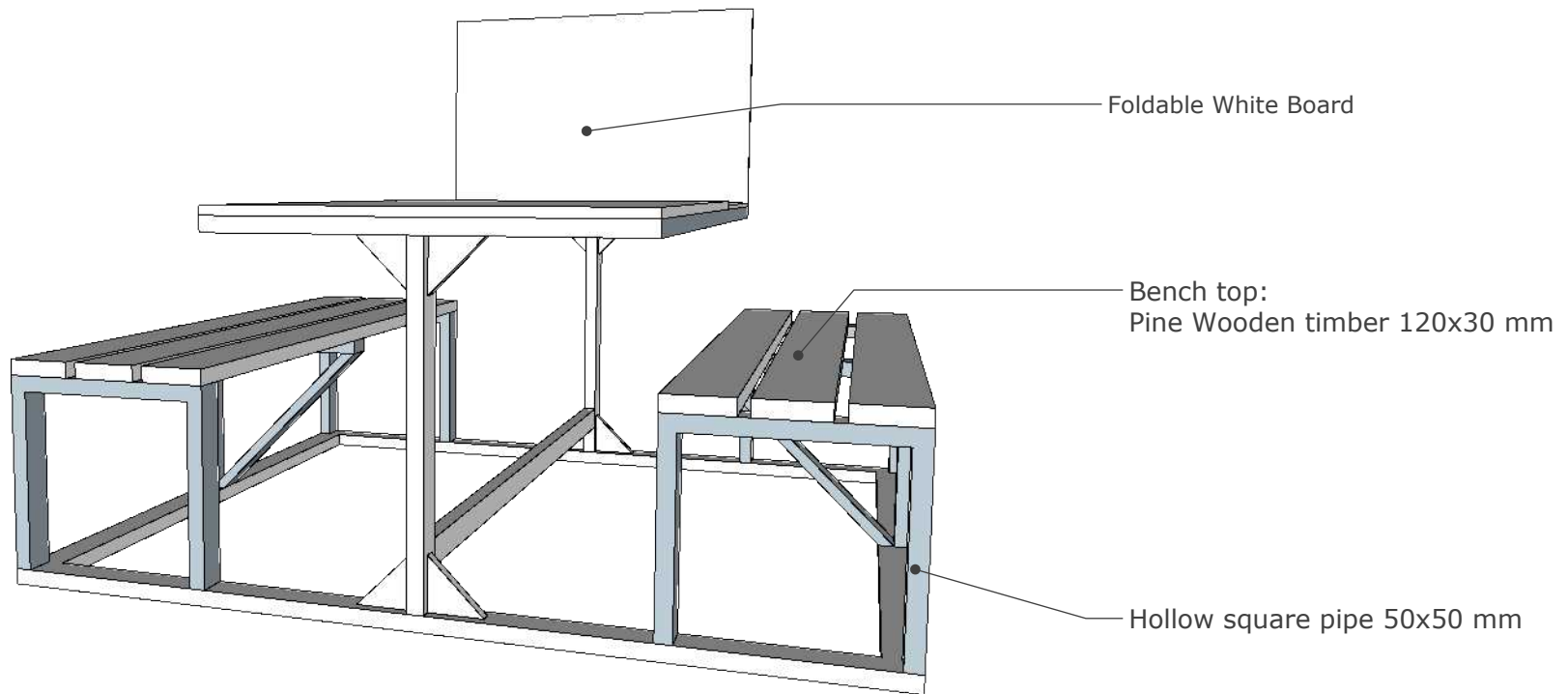
Scale: 1 : 4



ROOF PLAN

Scale: 1 : 30





BENCH DETAILS