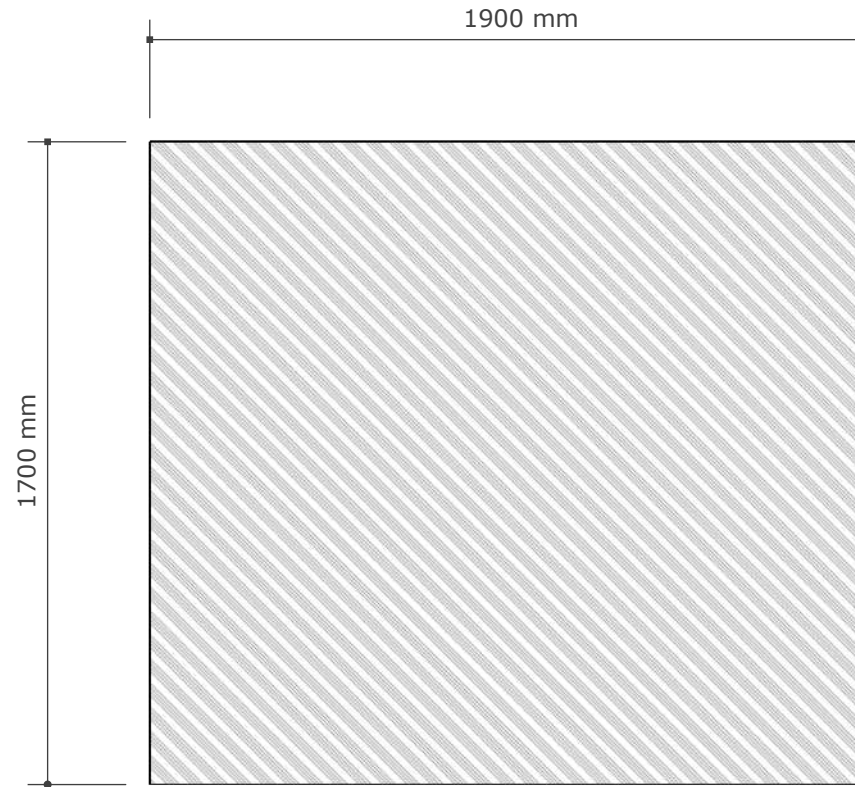


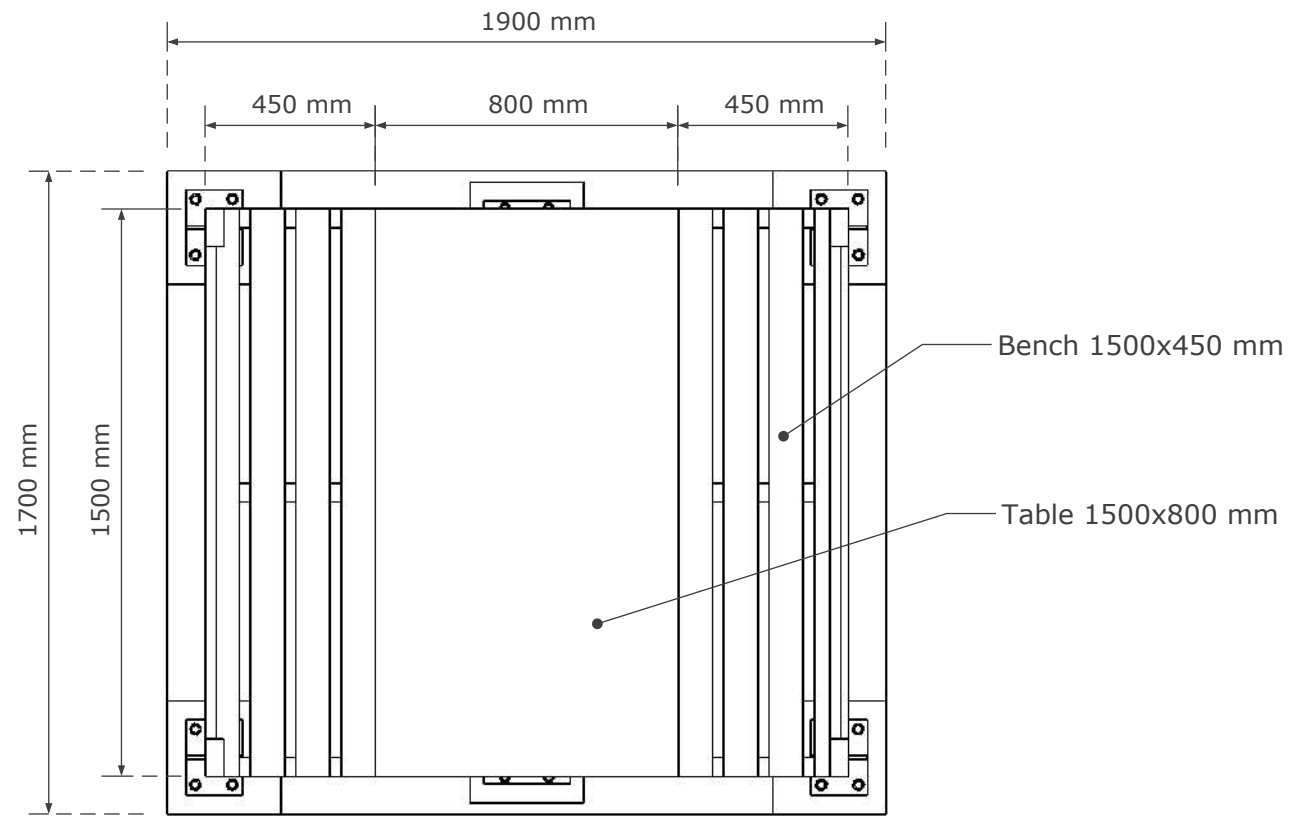
BENCH 2



SITE PLAN

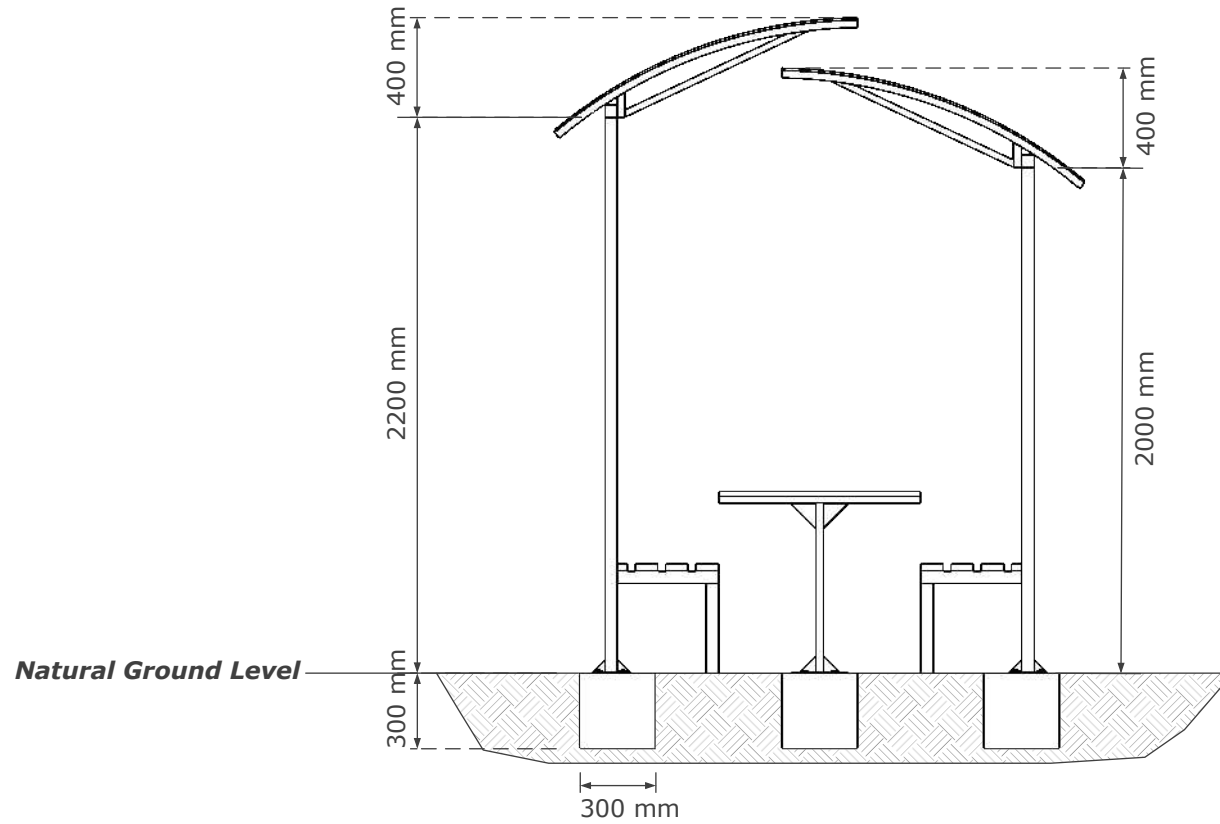
Scale: 1 : 20





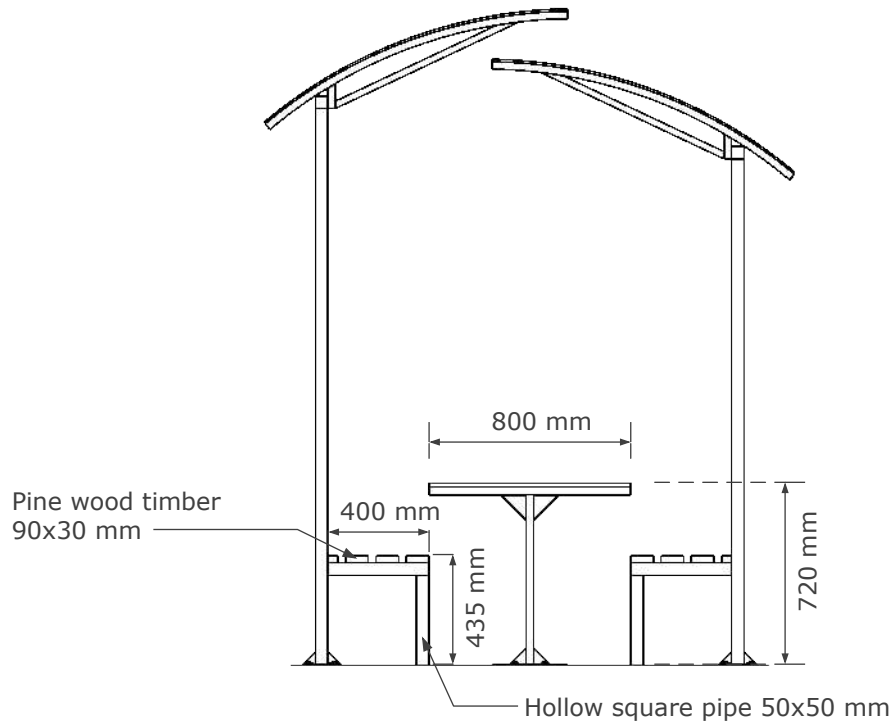
FLOOR PLAN

Scale: 1 : 20



FRONT SECTION

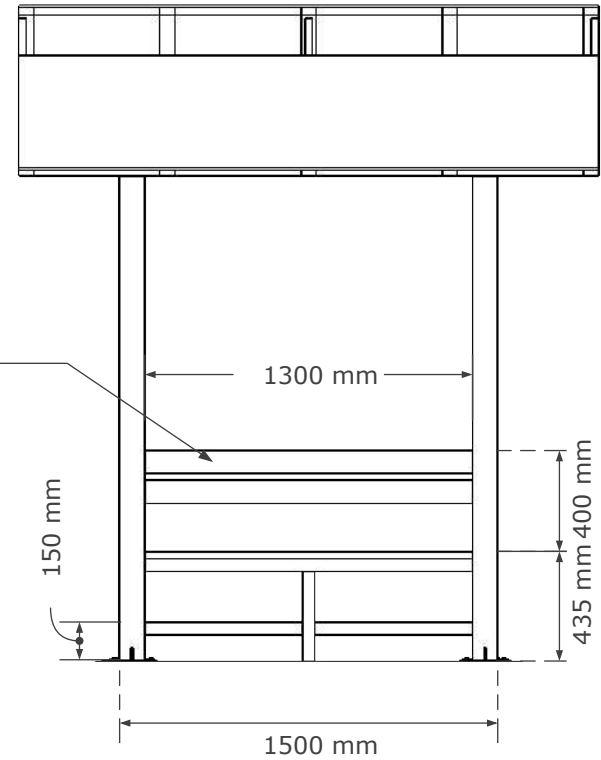
Scale: 1 : 30



FRONT ELAVATION (E1)

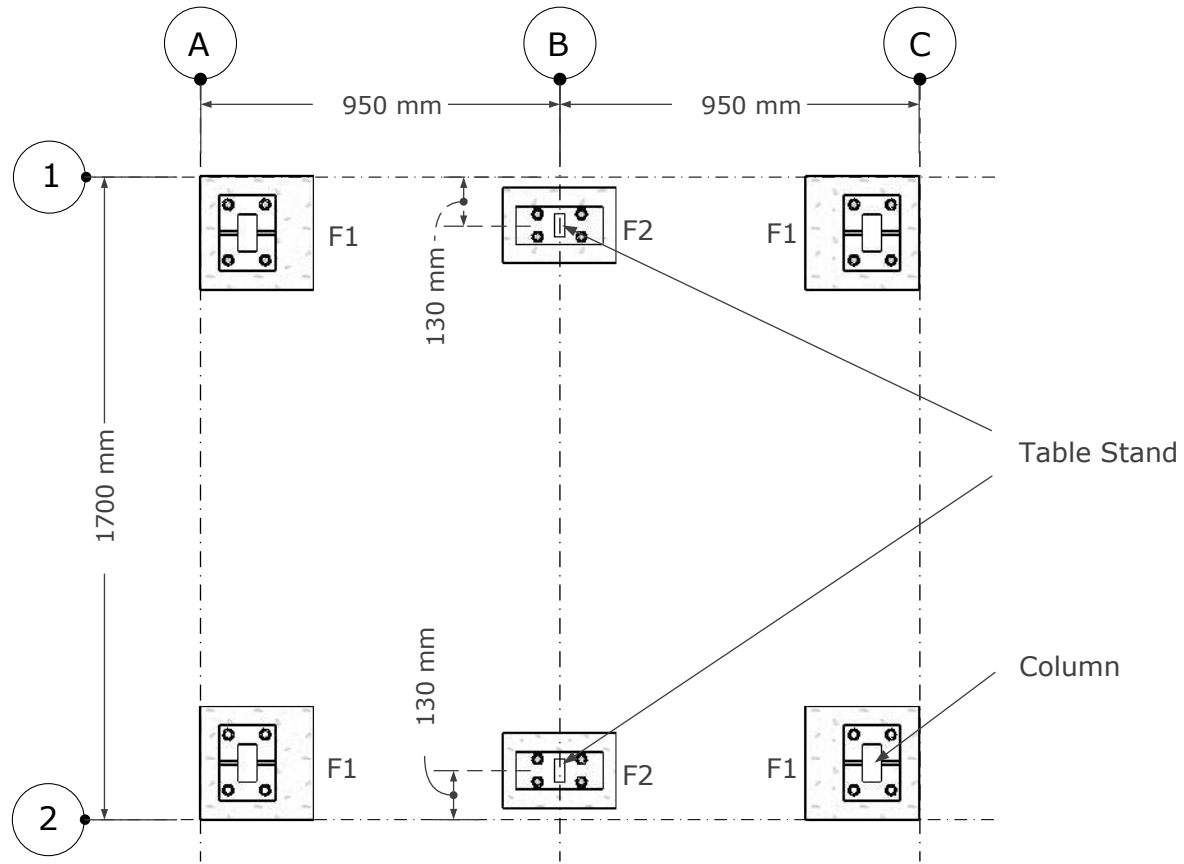
Scale: 1 : 30

Pine wood timber
90x30 mm



SIDE ELEVATION (E2)

Scale: 1 : 30



FOUNDATION PLAN

Scale: 1 : 20

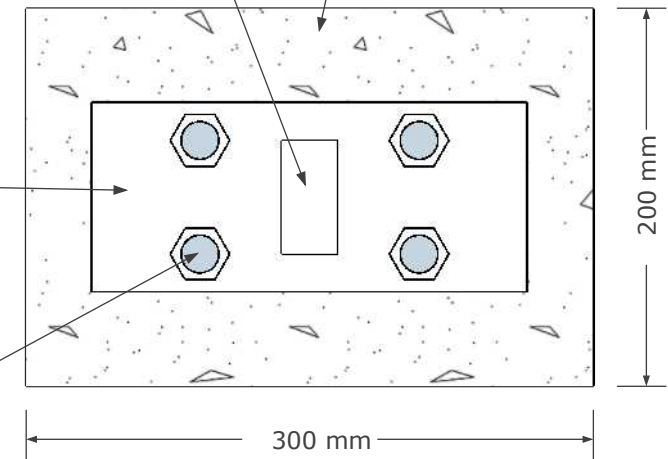
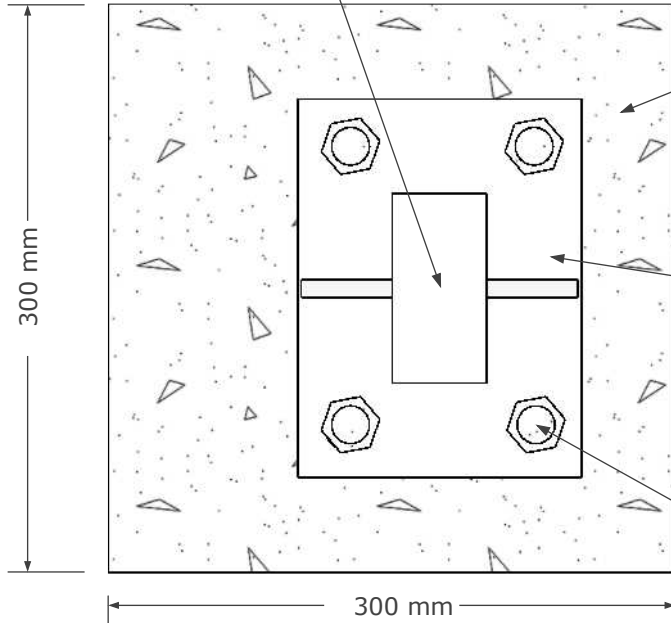


Column:
Hollow square pipe 100x50 mm

Table Stand:
Hollow square pipe 60x30 mm

Footing:
Concrete 300x300x300 mm

Footing:
Concrete 300x200x300 mm



Steel Plate 6 mm

Galvanised Bolt 10 mm

F1 Details

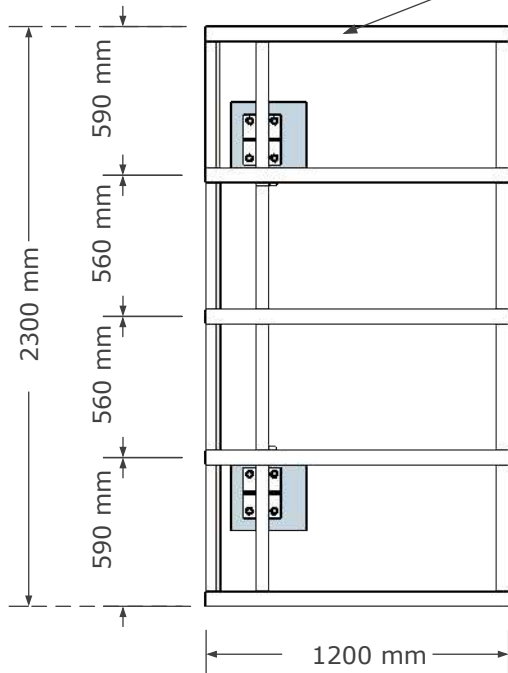
F2 Details

FOUNDATION DETAILS

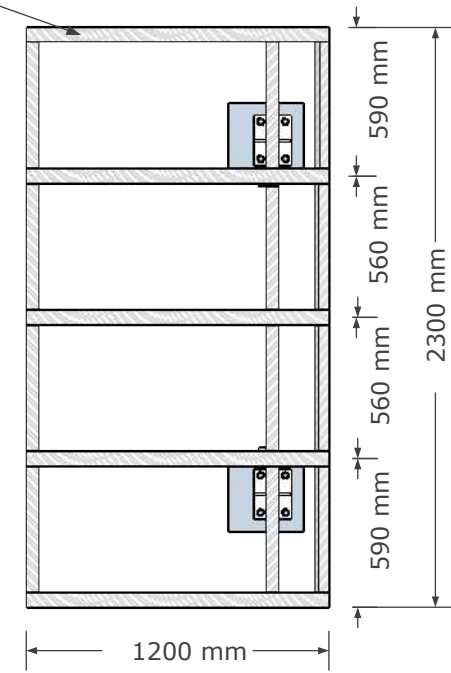
Scale: 1:4



Roof Structure Frame:
Hollow square pipe 60x30 mm



ROOF 1



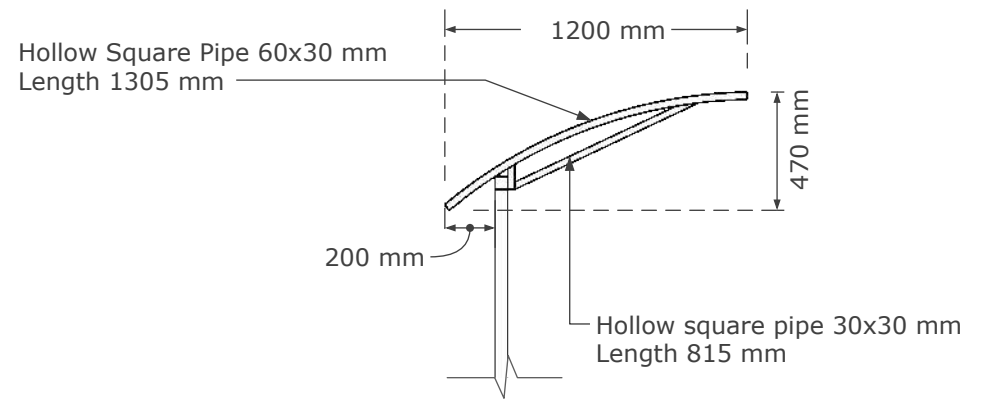
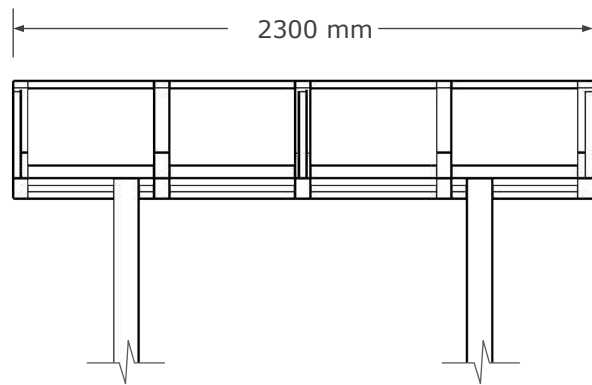
ROOF 2



ROOF STRUCTURE PLAN

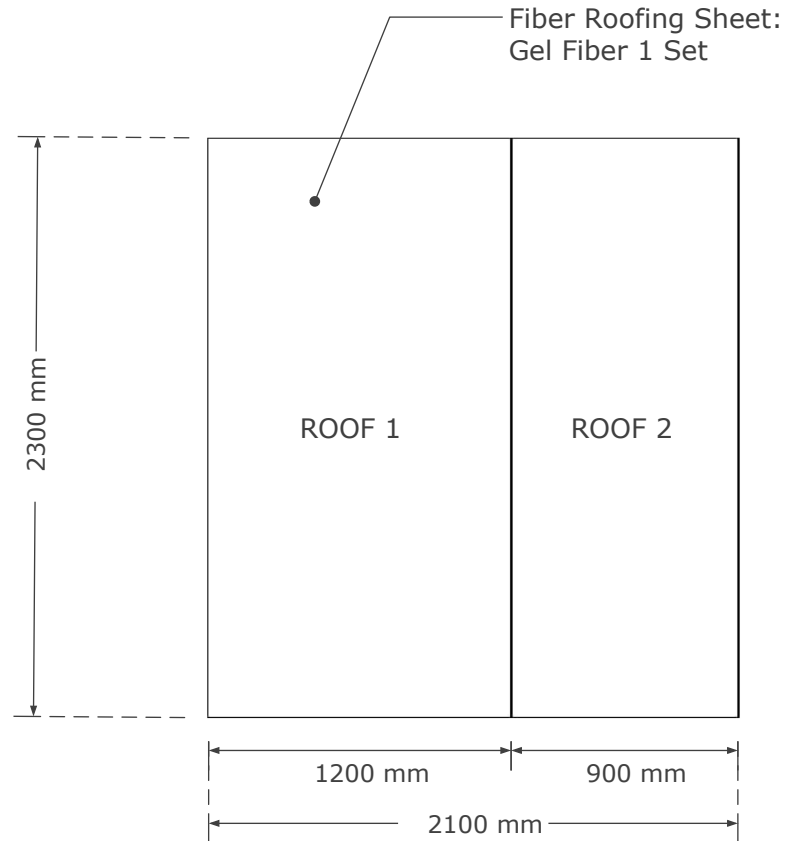
Scale: 1 : 30





ROOF DETAILS

Scale: 1 : 30



ROOF PLAN

Scale: 1 : 30