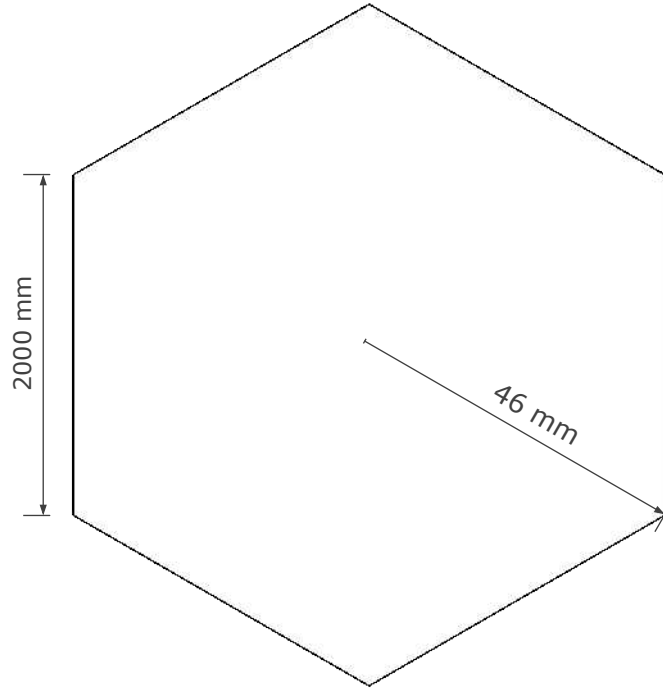


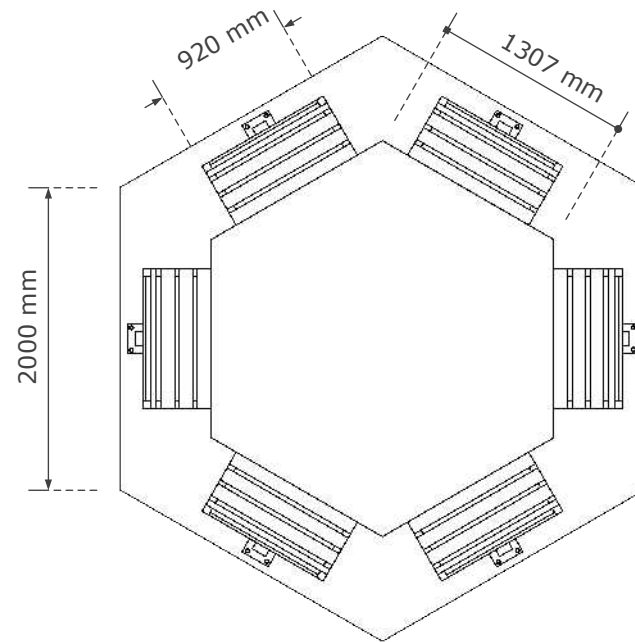


HUT



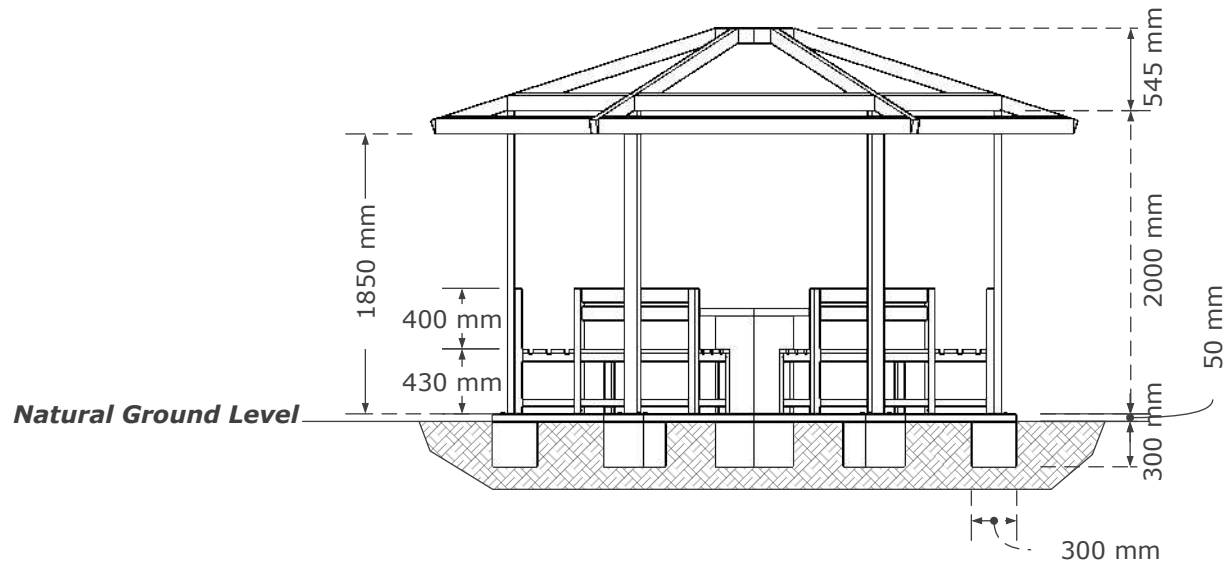
SITE PLAN

Scale: 1 : 50



FLOOR PLAN

Scale: 1 : 50

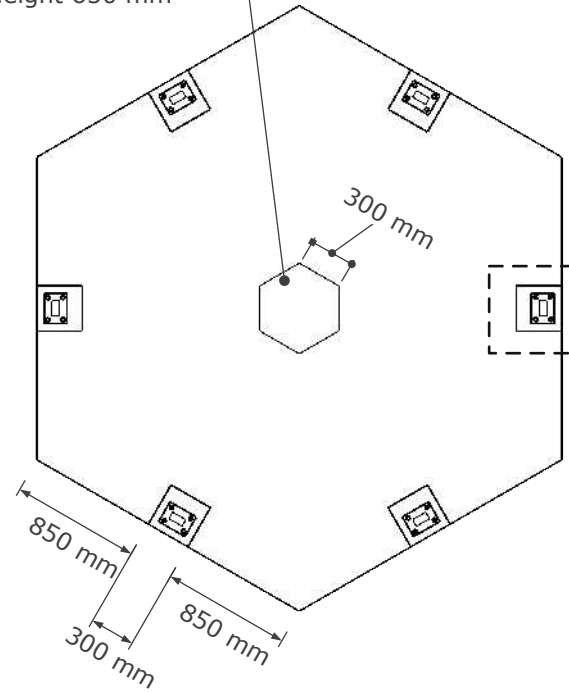


FRONT SECTION

Scale: 1 : 50



Table Stand
Height 650 mm



FOUNDATION PLAN

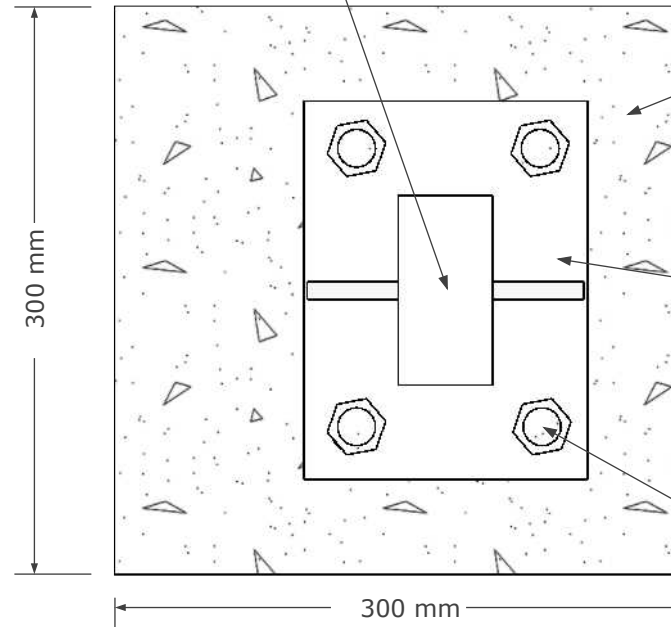
Scale: 1 : 50





Column:
Hollow square pipe 100x50 mm

Footing:
Concrete 300x300x300 mm



Steel Plate 6 mm

Galvanised Bolt 10 mm

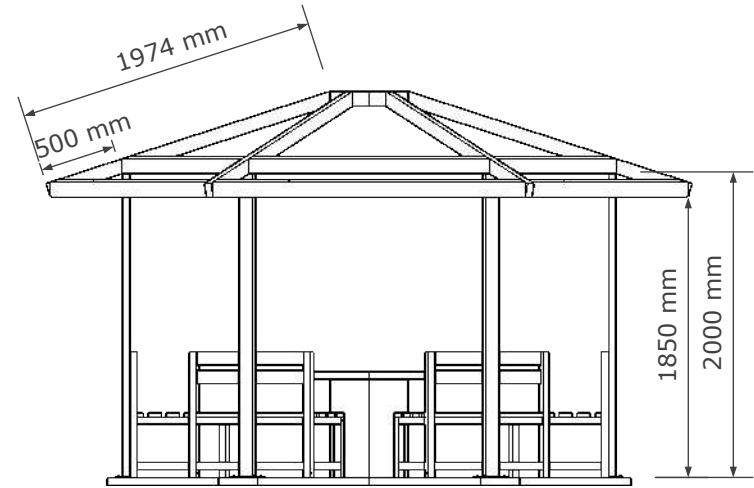
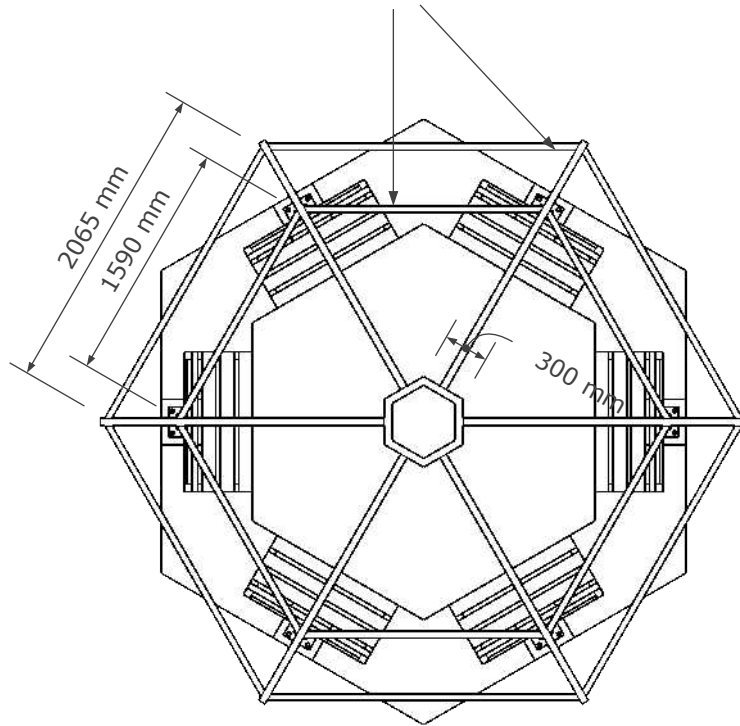


FOUNDATION DETAILS

Scale: 1 : 50



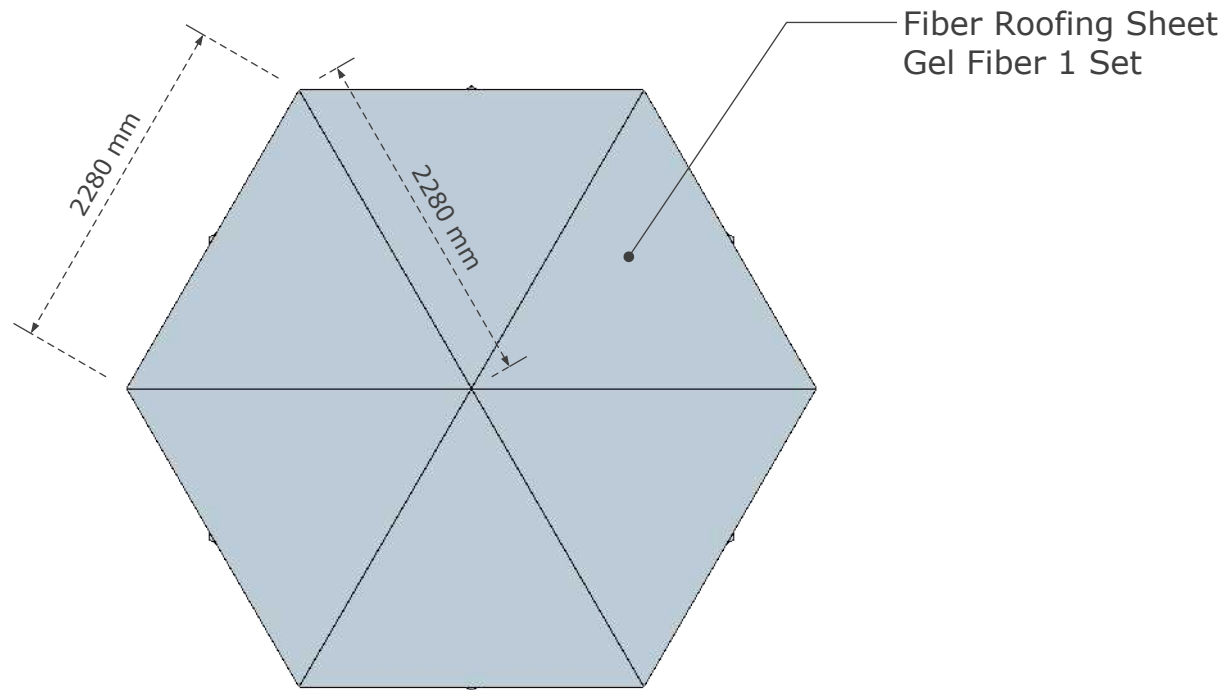
Wooden Timber 100x50 mm



ROOF FRAME PLAN

Scale: 1 : 50





ROOF PLAN

Scale: 1 : 50



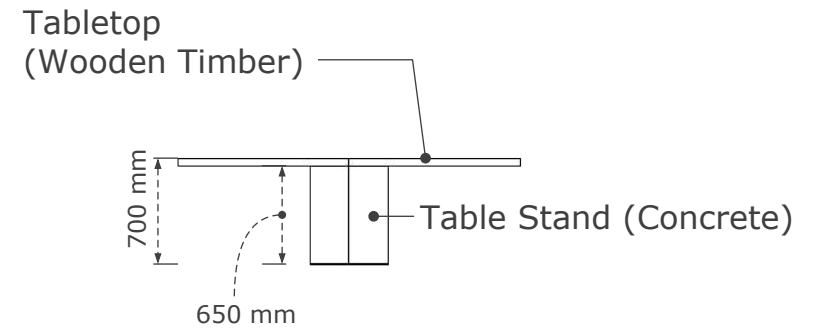
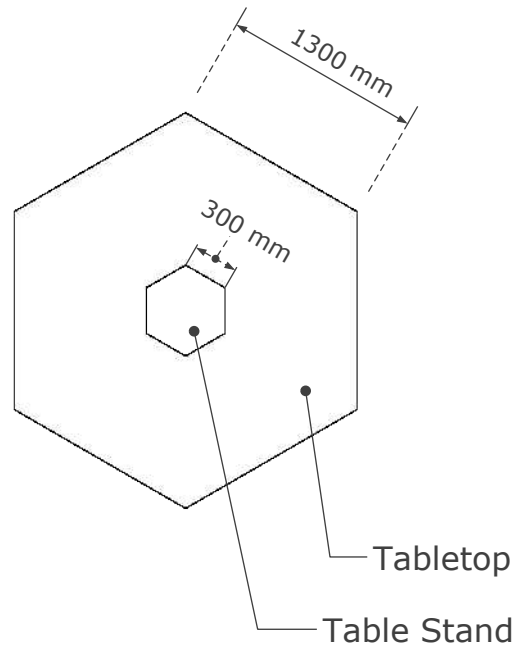
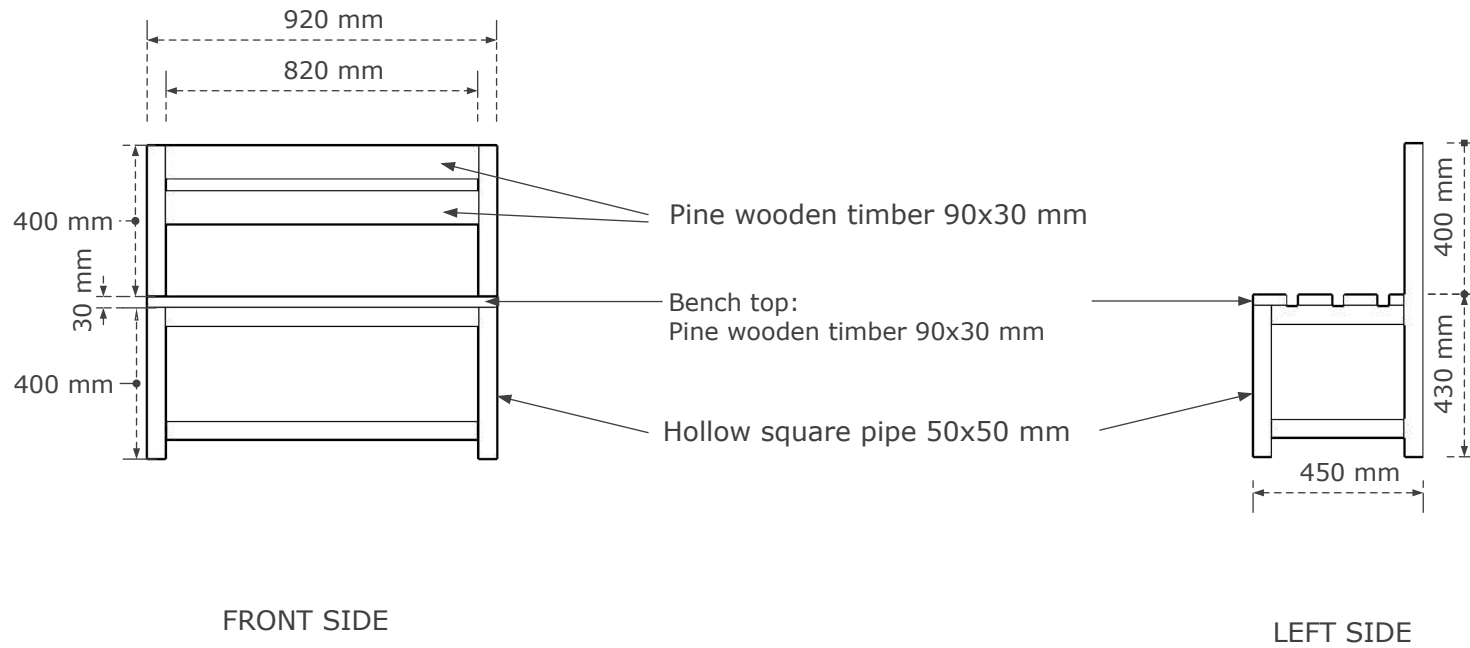


TABLE PLAN

Scale: 1 : 50



BENCH DEATAILS

Scale: 1 : 20