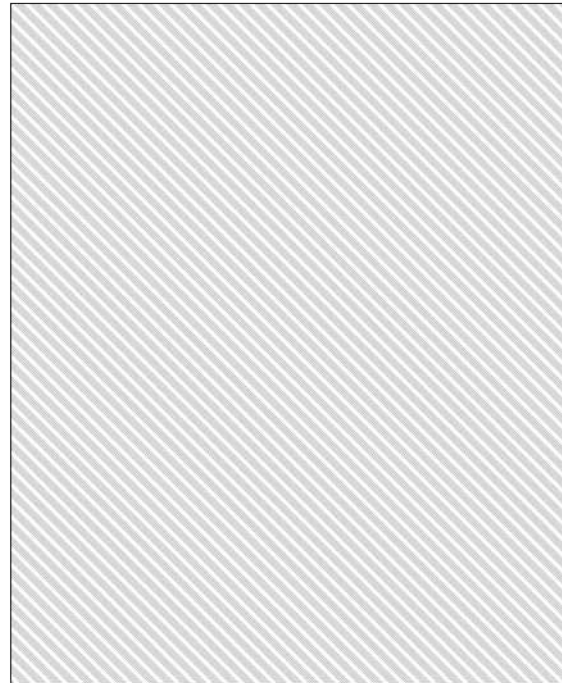


BENCH 1



2200 mm

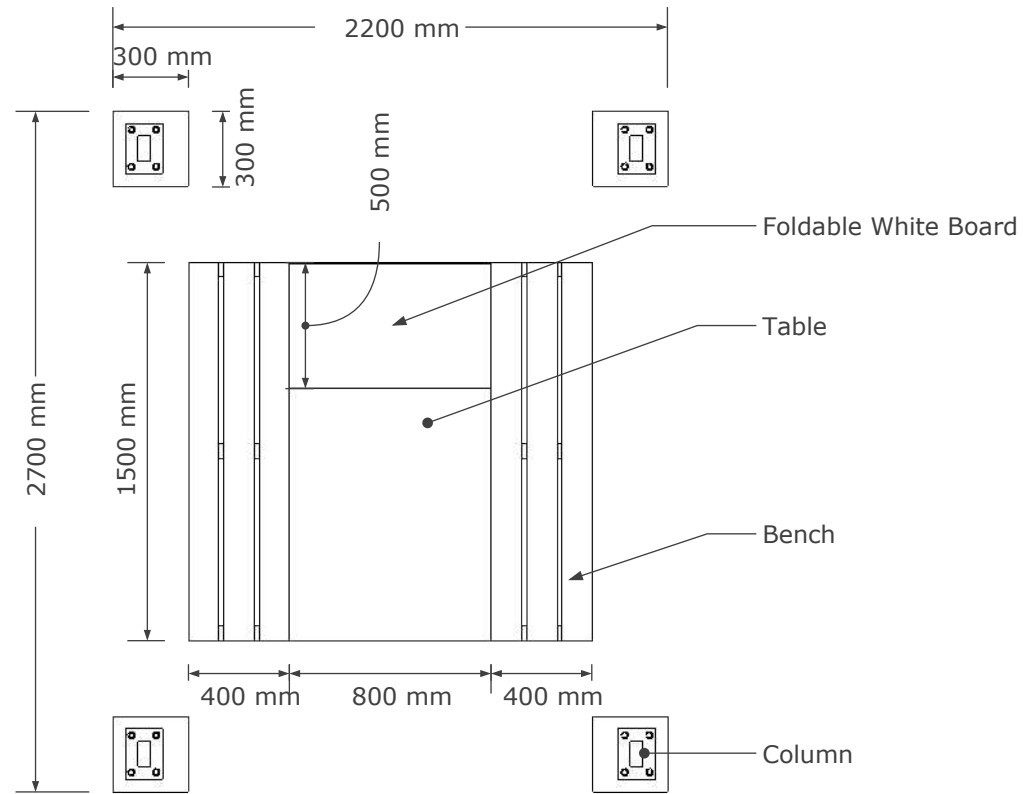
2700 mm



SITE PLAN

Scale: 1 : 30

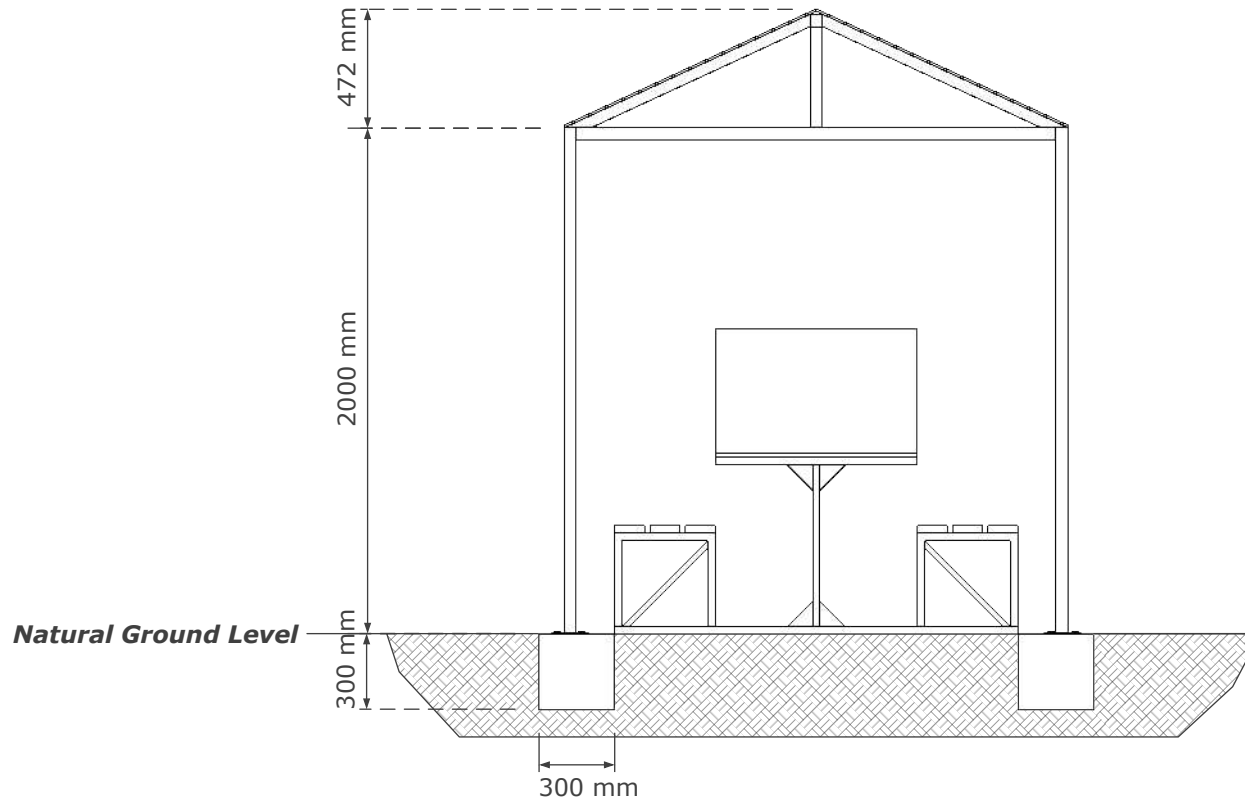




FLOOR PLAN

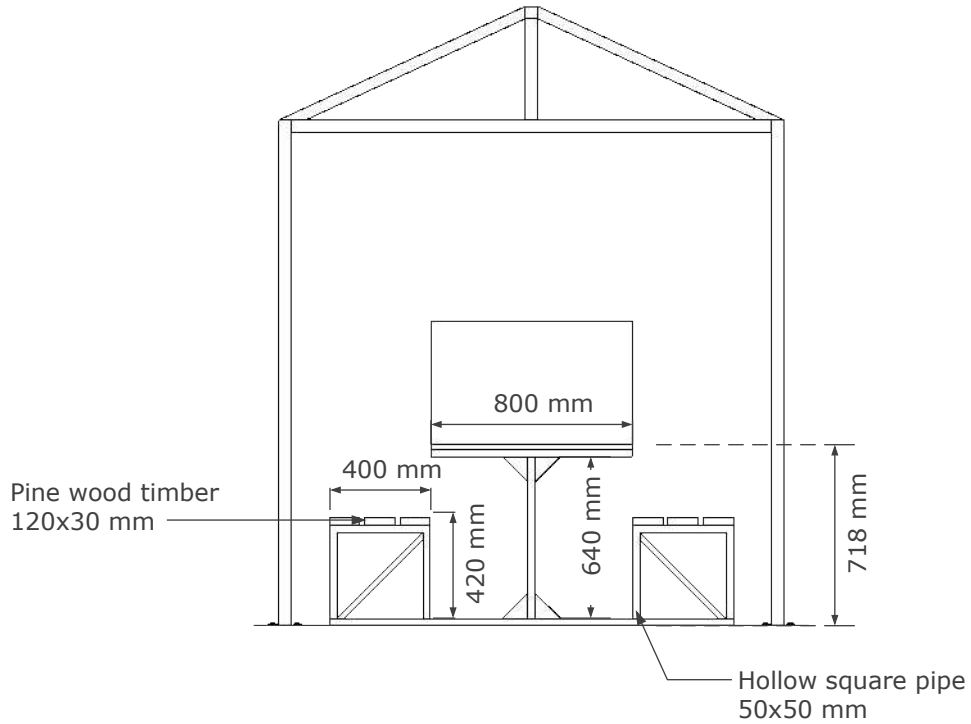
Scale: 1 : 30





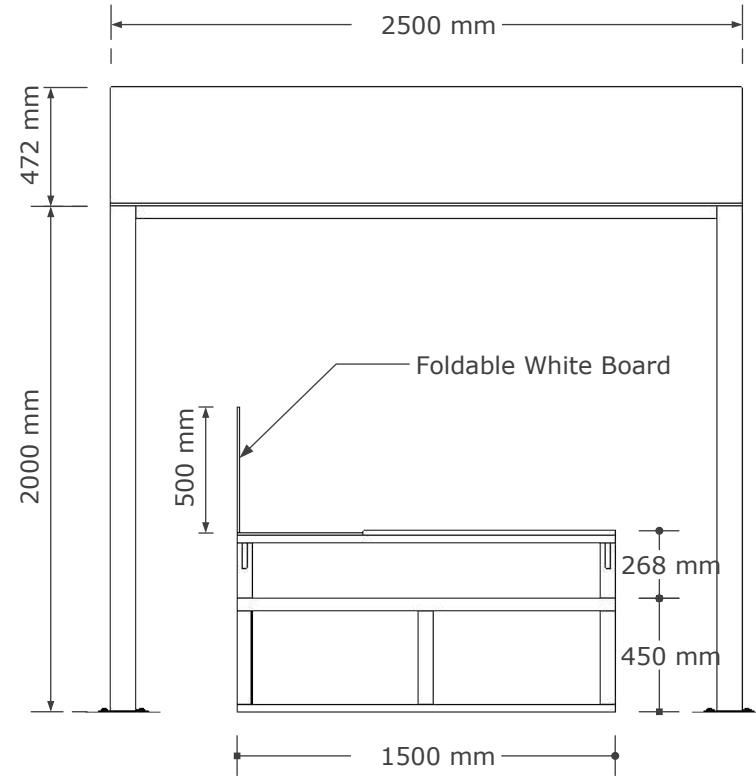
FRONT SECTION

Scale: 1 : 30



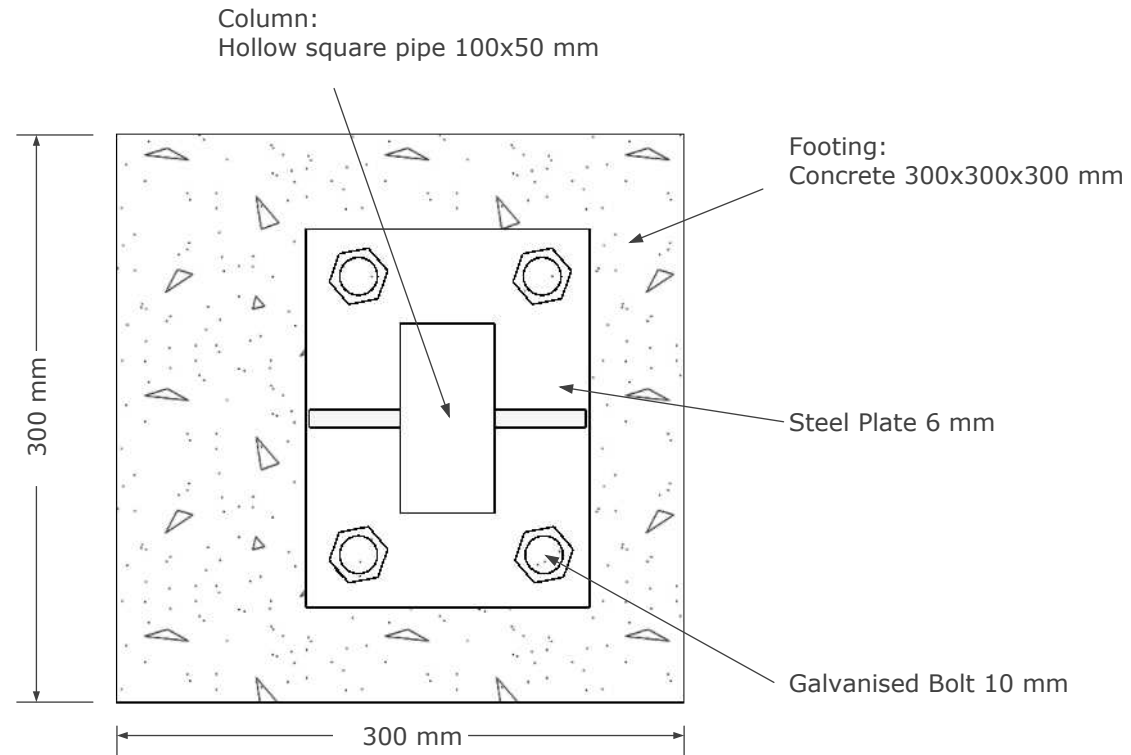
FRONT ELEVATION (E1)

Scale: 1 : 30



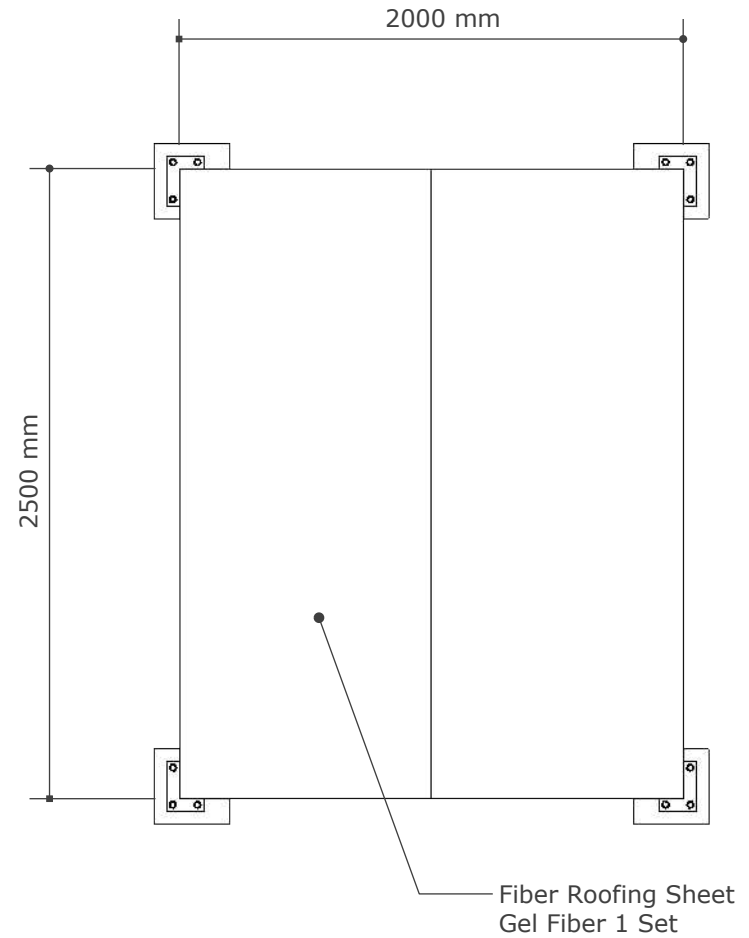
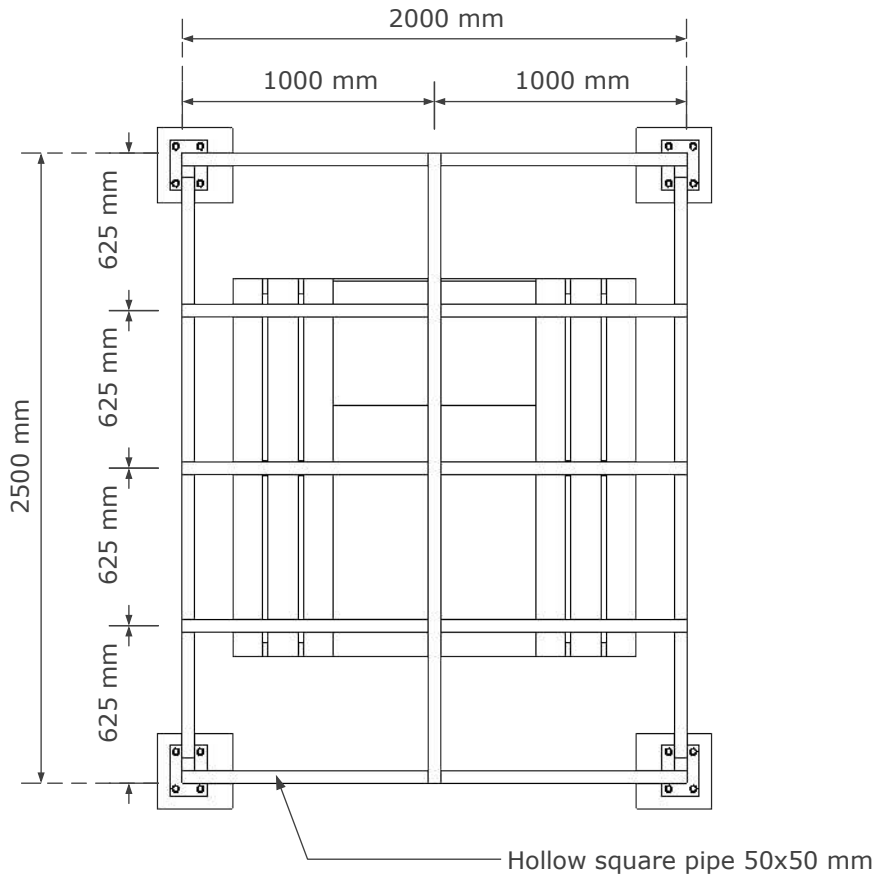
SIDE ELEVATION (E2)

Scale: 1 : 30



FOUNDATION DETAILS

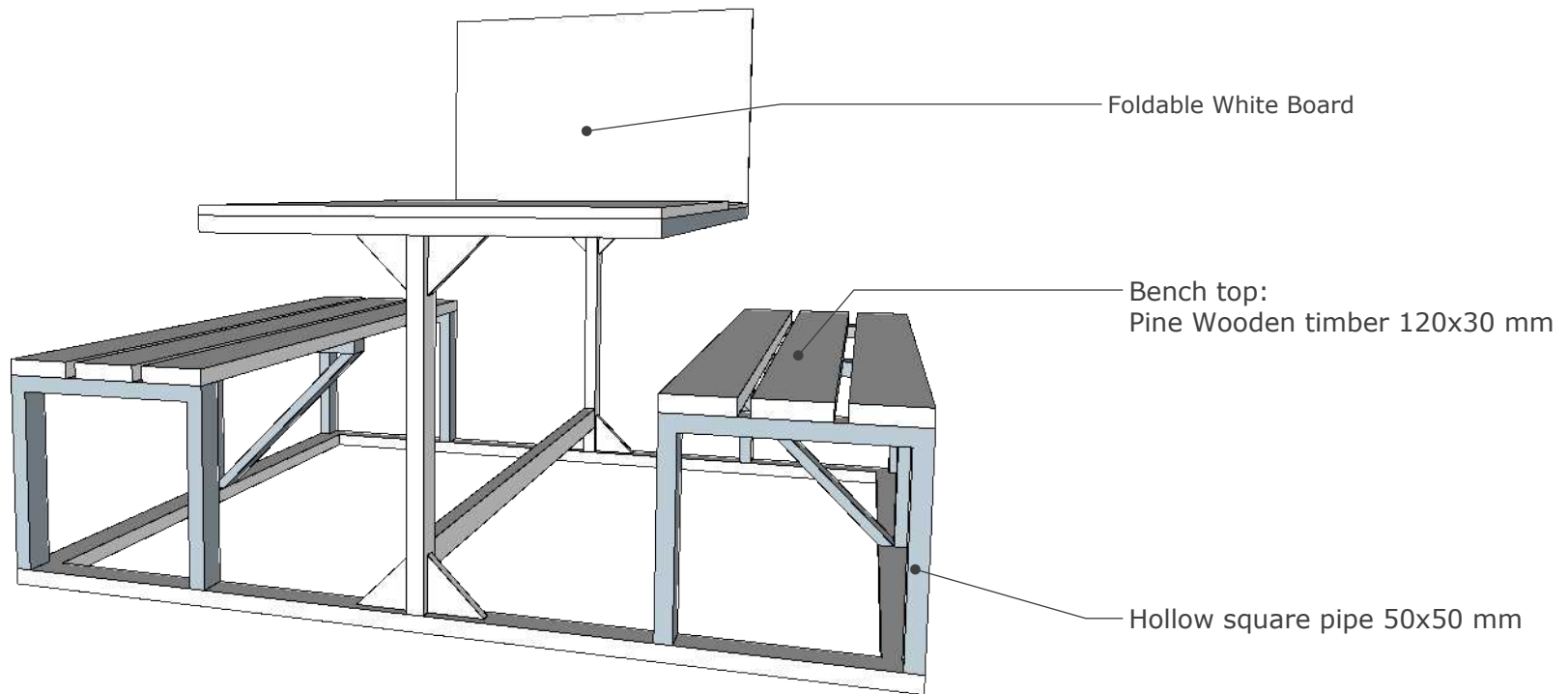
Scale: 1 : 4



ROOF PLAN

Scale: 1 : 30





BENCH DETAILS