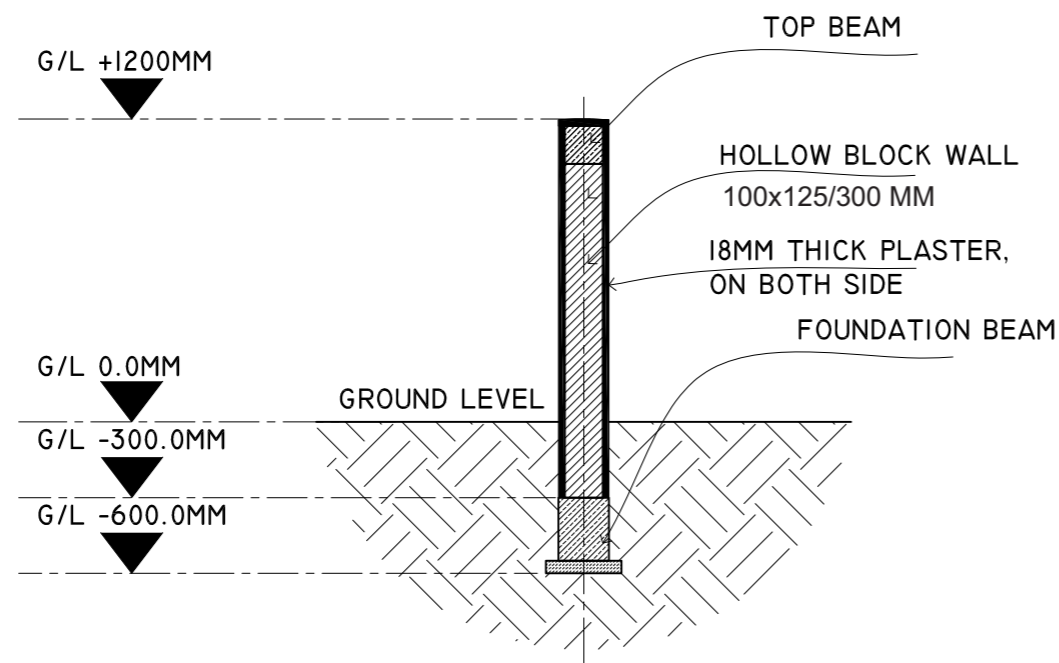


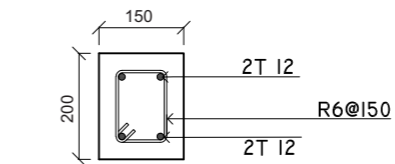
# CROSS SECTION

SCALE: 1 : 50

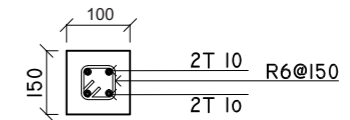


## DETAILS R/C

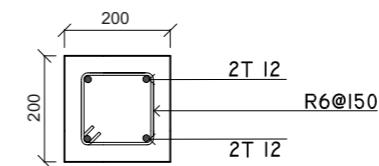
SCALE: 1 : 25



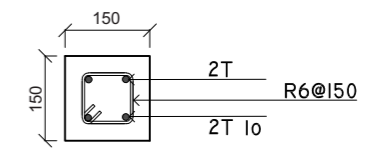
FOUNDATION BEAM (FB)



SILL BEAM



GATE COLUMN (C2)



COLUMN (C1)