

- $\frac{d}{dt} \int_{a(t)}^{b(t)} f(x) dx = f(b(t)) \cdot b'(t) - f(a(t)) \cdot a'(t)$ where f is a function of x , $a(t)$ and $b(t)$ are functions of t .
- $\frac{d}{dt} \int_{a(t)}^{b(t)} f(x) dx = f(b(t)) \cdot b'(t) - f(a(t)) \cdot a'(t)$ where f is a function of x , $a(t)$ and $b(t)$ are functions of t .
- $\frac{d}{dt} \int_{a(t)}^{b(t)} f(x) dx = f(b(t)) \cdot b'(t) - f(a(t)) \cdot a'(t)$ where f is a function of x , $a(t)$ and $b(t)$ are functions of t .

1.3 $\frac{d}{dt} \int_{a(t)}^{b(t)} f(x) dx$

- $\frac{d}{dt} \int_{a(t)}^{b(t)} f(x) dx = f(b(t)) \cdot b'(t) - f(a(t)) \cdot a'(t)$ where f is a function of x , $a(t)$ and $b(t)$ are functions of t .
- $\frac{d}{dt} \int_{a(t)}^{b(t)} f(x) dx = f(b(t)) \cdot b'(t) - f(a(t)) \cdot a'(t)$ where f is a function of x , $a(t)$ and $b(t)$ are functions of t .
- $\frac{d}{dt} \int_{a(t)}^{b(t)} f(x) dx = f(b(t)) \cdot b'(t) - f(a(t)) \cdot a'(t)$ where f is a function of x , $a(t)$ and $b(t)$ are functions of t .
- $\frac{d}{dt} \int_{a(t)}^{b(t)} f(x) dx = f(b(t)) \cdot b'(t) - f(a(t)) \cdot a'(t)$ where f is a function of x , $a(t)$ and $b(t)$ are functions of t .
- $\frac{d}{dt} \int_{a(t)}^{b(t)} f(x) dx = f(b(t)) \cdot b'(t) - f(a(t)) \cdot a'(t)$ where f is a function of x , $a(t)$ and $b(t)$ are functions of t .
- $\frac{d}{dt} \int_{a(t)}^{b(t)} f(x) dx = f(b(t)) \cdot b'(t) - f(a(t)) \cdot a'(t)$ where f is a function of x , $a(t)$ and $b(t)$ are functions of t .
- $\frac{d}{dt} \int_{a(t)}^{b(t)} f(x) dx = f(b(t)) \cdot b'(t) - f(a(t)) \cdot a'(t)$ where f is a function of x , $a(t)$ and $b(t)$ are functions of t .

2- $\frac{d}{dt} \int_{a(t)}^{b(t)} f(x) dx$

- $\frac{d}{dt} \int_{a(t)}^{b(t)} f(x) dx = f(b(t)) \cdot b'(t) - f(a(t)) \cdot a'(t)$ where f is a function of x , $a(t)$ and $b(t)$ are functions of t .
- $\frac{d}{dt} \int_{a(t)}^{b(t)} f(x) dx = f(b(t)) \cdot b'(t) - f(a(t)) \cdot a'(t)$ where f is a function of x , $a(t)$ and $b(t)$ are functions of t .
- $\frac{d}{dt} \int_{a(t)}^{b(t)} f(x) dx = f(b(t)) \cdot b'(t) - f(a(t)) \cdot a'(t)$ where f is a function of x , $a(t)$ and $b(t)$ are functions of t .

3- $\frac{d}{dt} \int_{a(t)}^{b(t)} f(x) dx$

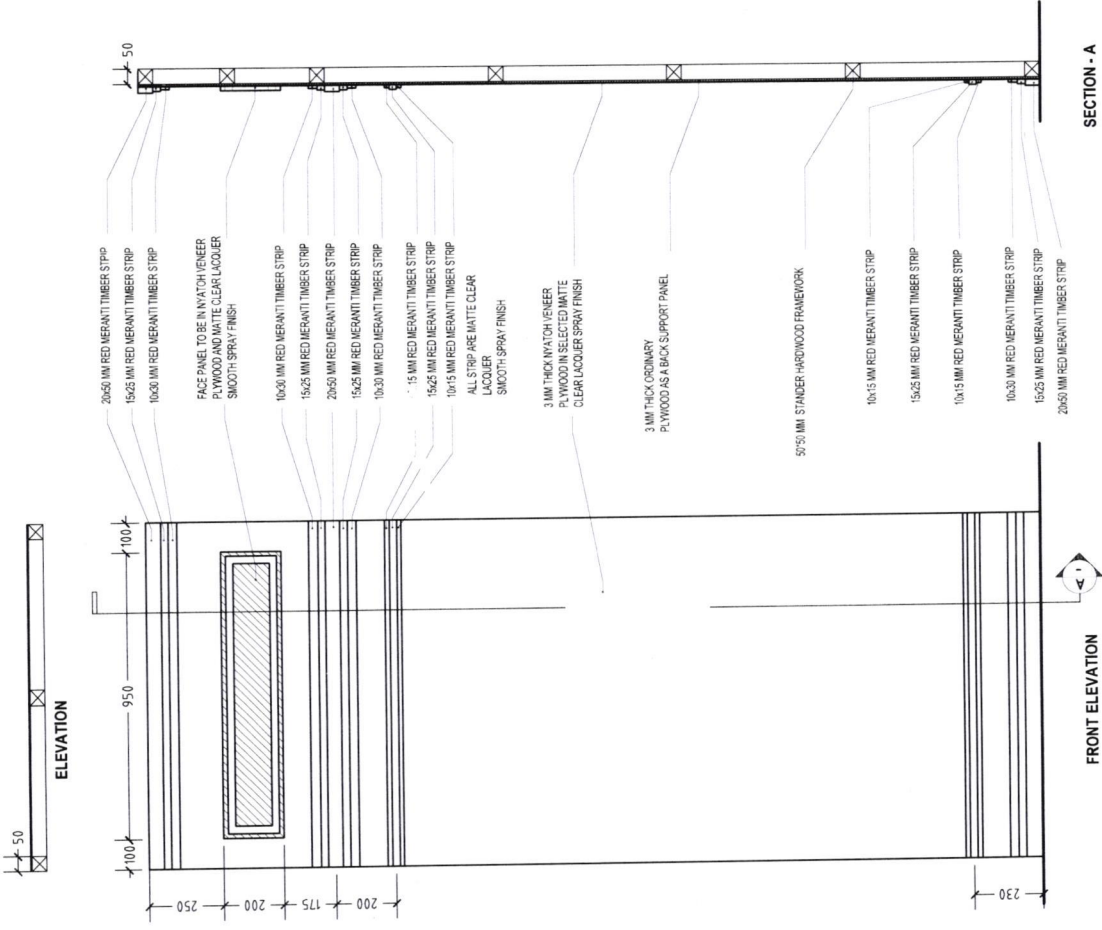
- $\frac{d}{dt} \int_{a(t)}^{b(t)} f(x) dx = f(b(t)) \cdot b'(t) - f(a(t)) \cdot a'(t)$ where f is a function of x , $a(t)$ and $b(t)$ are functions of t .
- $\frac{d}{dt} \int_{a(t)}^{b(t)} f(x) dx = f(b(t)) \cdot b'(t) - f(a(t)) \cdot a'(t)$ where f is a function of x , $a(t)$ and $b(t)$ are functions of t .



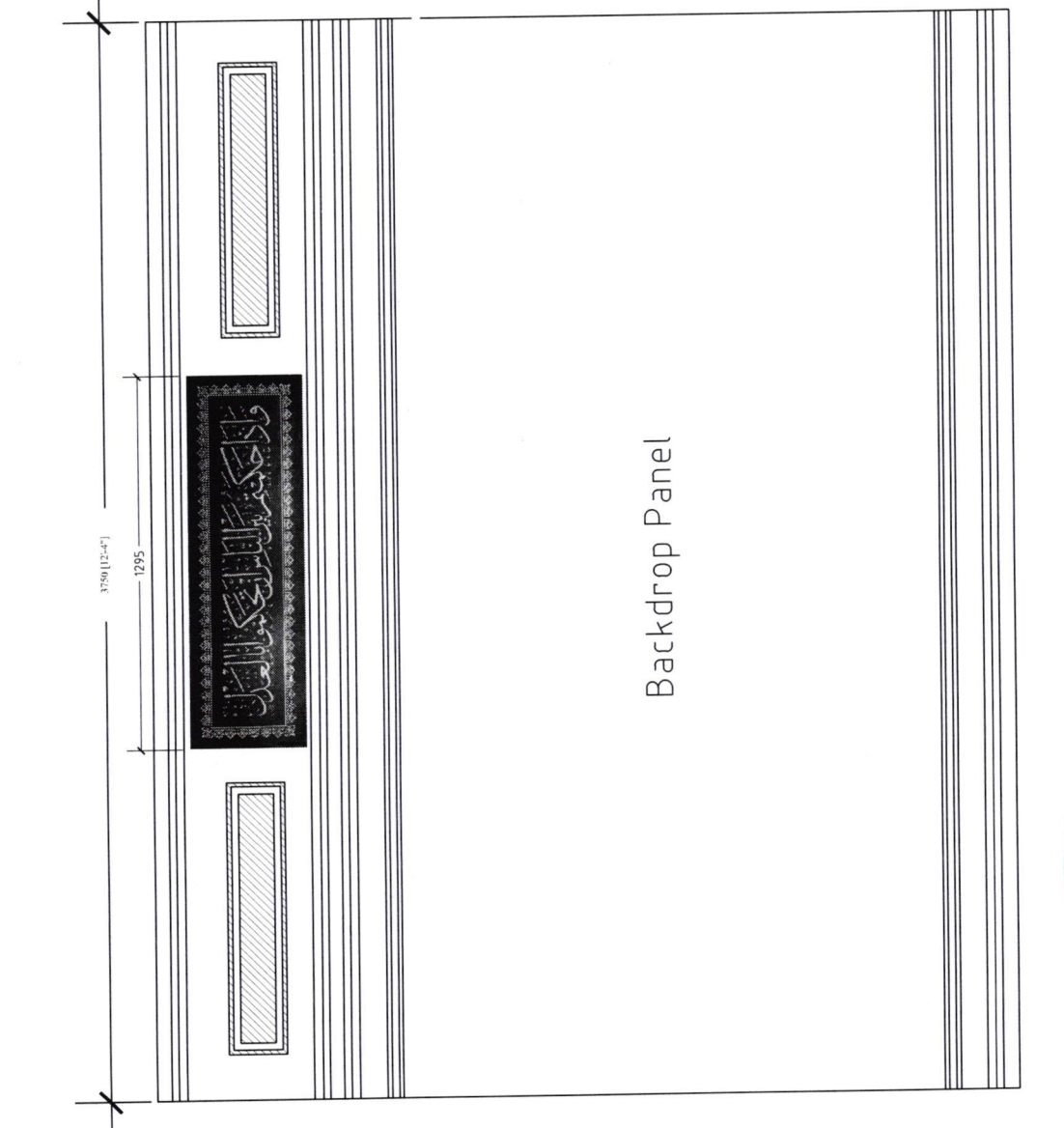
7.4. څو ټولګي پښتانه د پښتانه ښوونځي په څېر د پښتانه ښوونځي د لاسونو په
څېر په پښتانه کې د پښتانه ښوونځي د لاسونو په څېر د پښتانه ښوونځي د لاسونو په
څېر د پښتانه ښوونځي د لاسونو په څېر د پښتانه ښوونځي د لاسونو په څېر د پښتانه
ښوونځي د لاسونو په څېر د پښتانه ښوونځي د لاسونو په څېر د پښتانه ښوونځي د لاسونو په
څېر د پښتانه ښوونځي د لاسونو په څېر د پښتانه ښوونځي د لاسونو په څېر د پښتانه

7.5. څو ټولګي پښتانه د پښتانه ښوونځي په څېر د پښتانه ښوونځي د لاسونو په
څېر د پښتانه ښوونځي د لاسونو په څېر د پښتانه ښوونځي د لاسونو په څېر د پښتانه
ښوونځي د لاسونو په څېر د پښتانه ښوونځي د لاسونو په څېر د پښتانه ښوونځي د لاسونو په
څېر د پښتانه ښوونځي د لاسونو په څېر د پښتانه ښوونځي د لاسونو په څېر د پښتانه
ښوونځي د لاسونو په څېر د پښتانه ښوونځي د لاسونو په څېر د پښتانه ښوونځي د لاسونو په
څېر د پښتانه ښوونځي د لاسونو په څېر د پښتانه ښوونځي د لاسونو په څېر د پښتانه





SECTION - A



FRONT ELEVATION

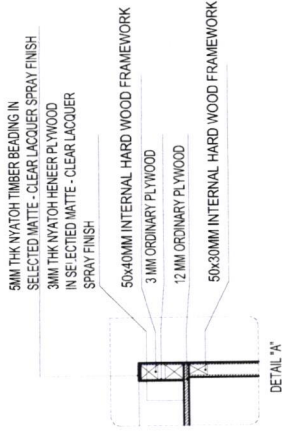
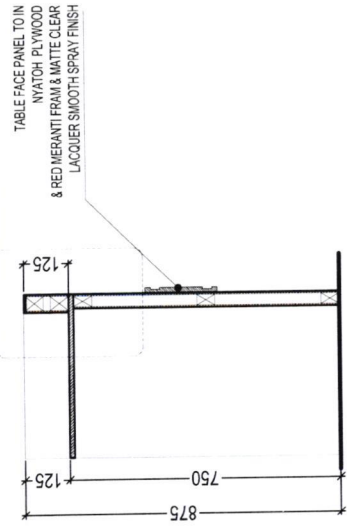
COURT ROOM BACK PANELS DETAILS

AR
SCALE
2 5



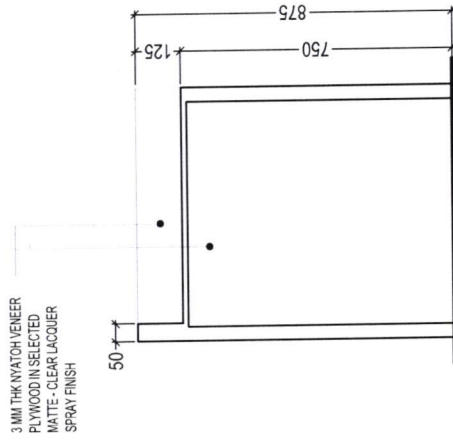
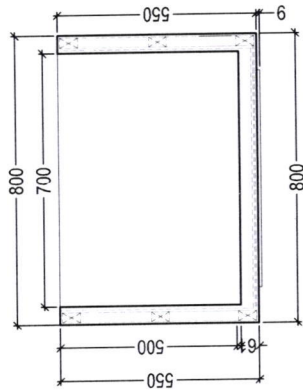
Backdrop Panel

REFER TO BLOW-UP DETAIL "A"

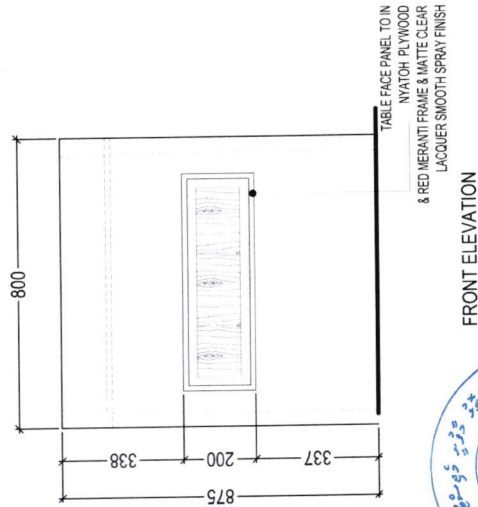


SECTION

PLAN VIEW



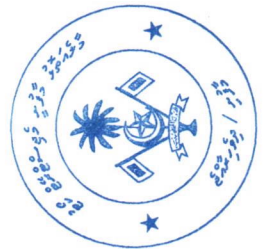
REAR ELEVATION



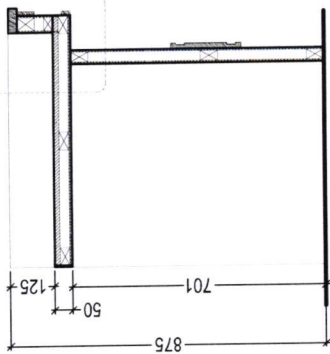
FRONT ELEVATION

NOTE:
 ALL TIMBERS WHICH ARE USED FOR THE STANDARD EXTERNAL FRAMEWORK TO BE APPLIED WITH SOLIGNUM TIMBER TREATMENT CHEMICAL OR EQUIVALENT, 24 HOURS BEFORE USING ON THE FRAMEWORK.
 ALL SIDES TO BE FINISHED WITH NATURAL VENEER OF THE SAME WOOD USED ON THE RESPECTIVE PART OF THE FURNITURE.

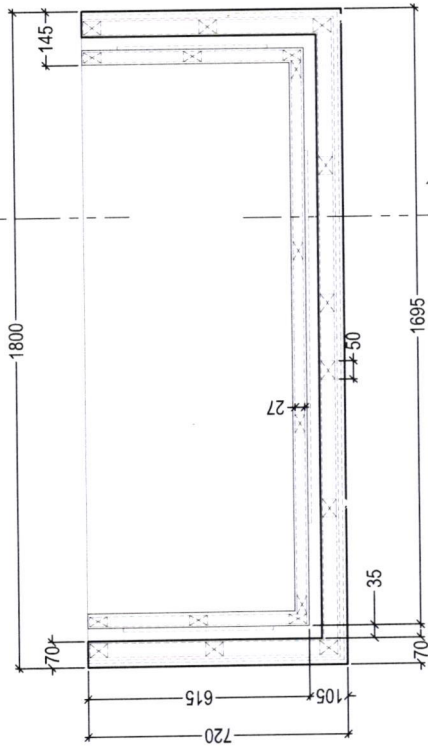
REGISTRARS/LAWYER'S/DEFENDANTS' TABLE
TABLE DETAILS



REFER TO BLOW-UP DETAIL "C"



SECTION

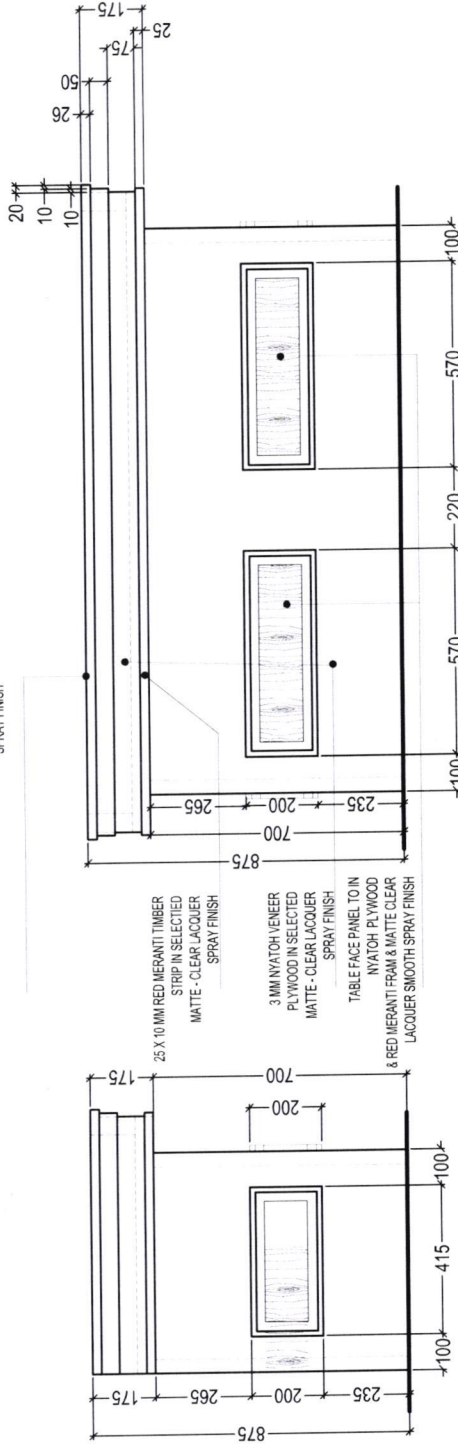


PLAN VIEW

- 70 X 25 MM RED MERANTI TIMBER STRIP IN SELECTED MATTE - CLEAR LACQUER SPRAY FINISH
 - 50 X 10 MM RED MERANTI TIMBER STRIP IN SELECTED MATTE - CLEAR LACQUER SPRAY FINISH
 - 50X37 INTERNAL HARD WOOD FRAMEWORK
 - 12 MM ORDINARY PLYWOOD
 - 25 X 10 MM RED MERANTI TIMBER STRIP IN SELECTED MATTE - CLEAR LACQUER SPRAY FINISH
 - 6 MM ORDINARY PLYWOOD
 - 3 MM NYATOH VENEER PLYWOOD IN SELECTED MATTE - CLEAR LACQUER SPRAY FINISH
- REFER TO BLOW-UP DETAIL "C"

70 X 25 MM RED MERANTI TIMBER STRIP IN SELECTED MATTE - CLEAR LACQUER SPRAY FINISH

50 X 10 MM RED MERANTI TIMBER STRIP IN SELECTED MATTE - CLEAR LACQUER SPRAY FINISH



FRONT ELEVATION

LEFT SIDE ELEVATION

RIGHT SIDE ELEVATION

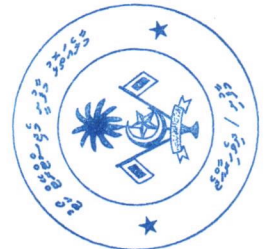
NOTE:

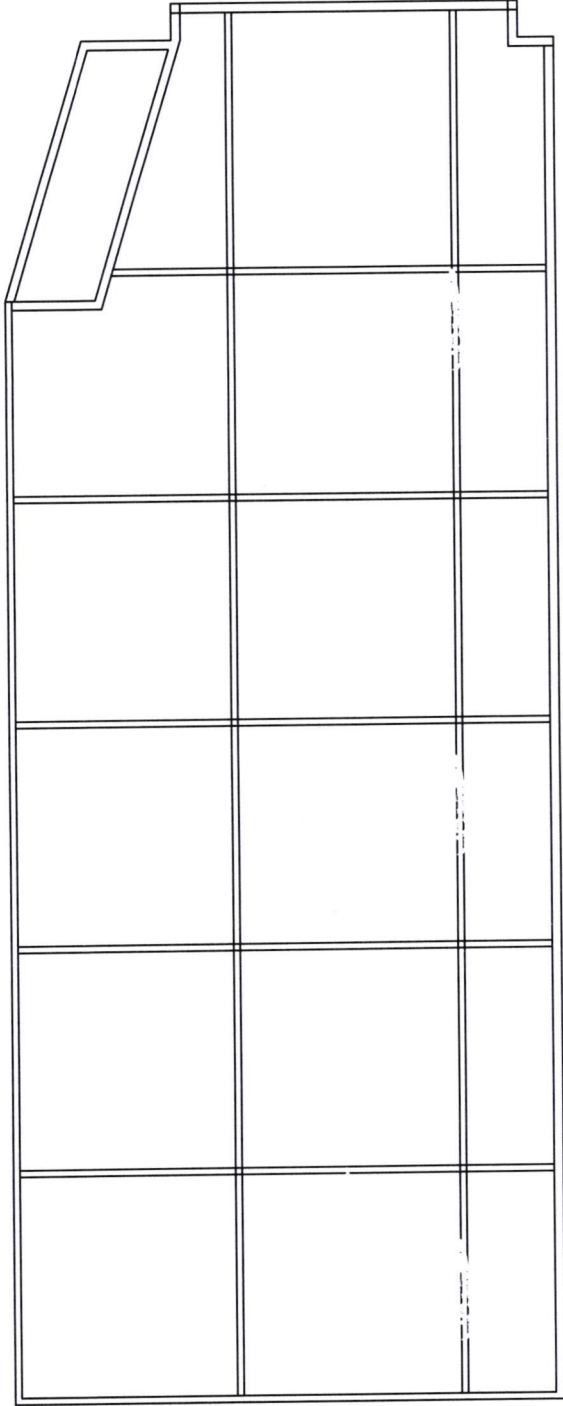
ALL TIMBERS WHICH ARE USED FOR THE STANDARD EXTERNAL FRAMEWORK TO BE APPLIED WITH SOLIGNUM TIMBER TREATMENT CHEMICAL OR EQUIVALENT, 24 HOURS BEFORE USING ON THE FRAMEWORK.

ALL SIDES TO BE FINISHED WITH NATURAL VENEER OF THE SAME WOOD USED ON THE RESPECTIVE PART OF THE FURNITURE.

JUDGE PANEL TABLE

TABLE DETAILS





Stage Frame

