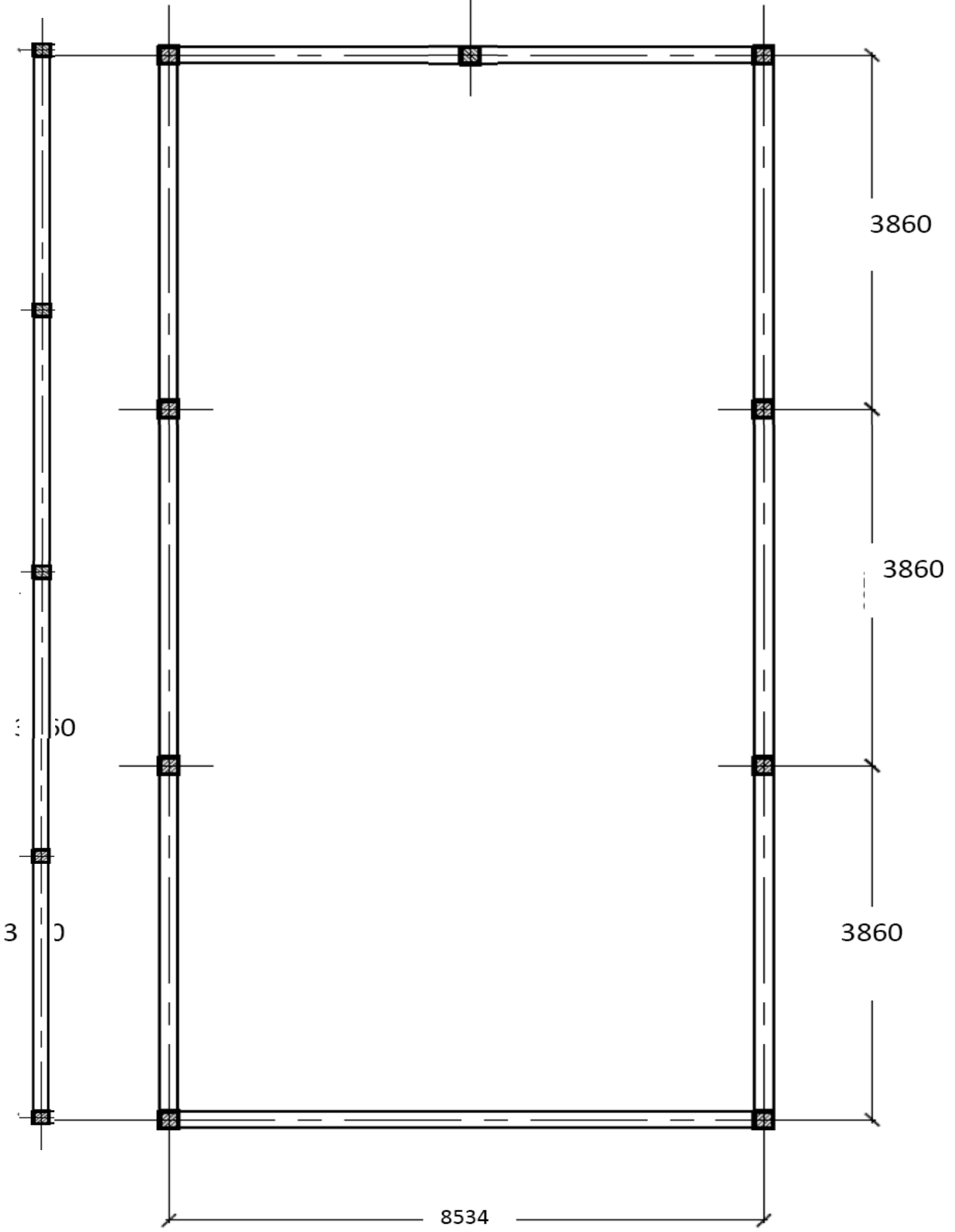
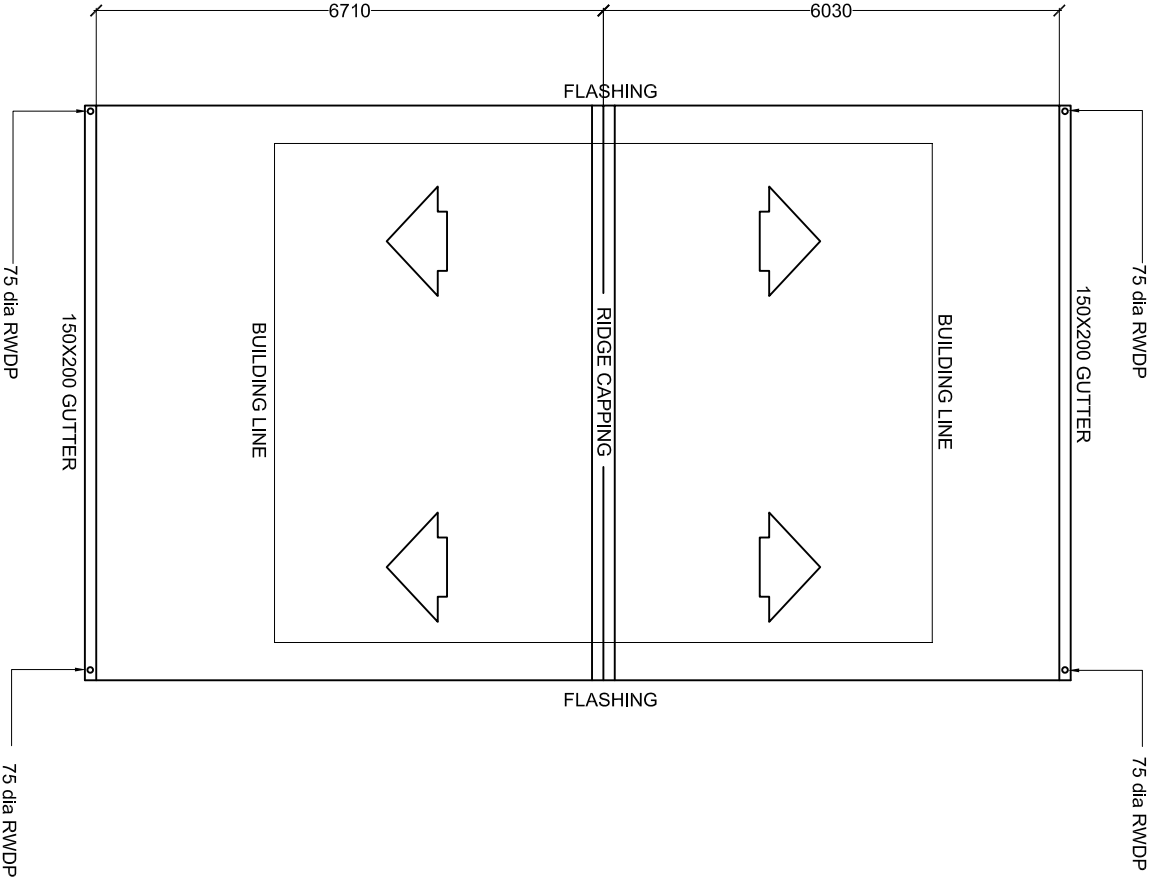


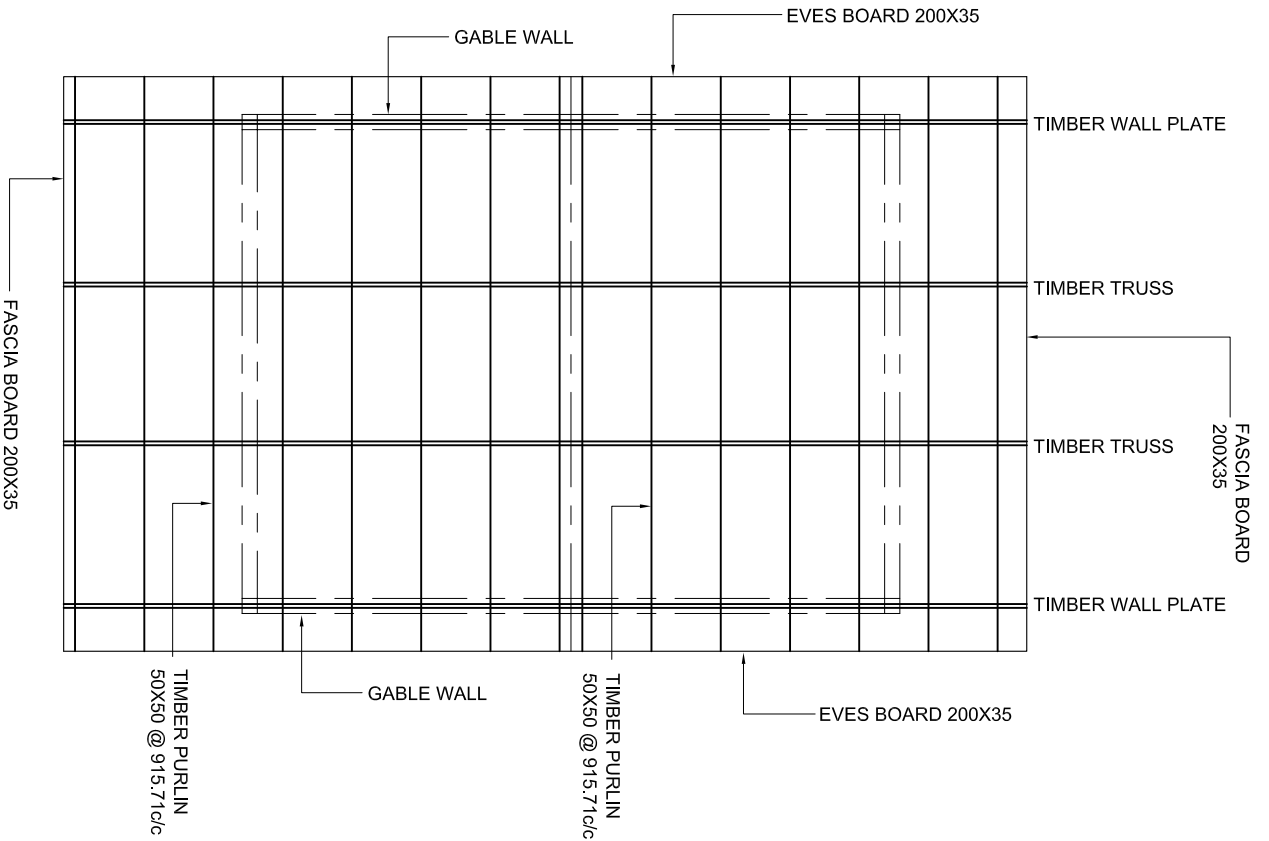
FLOOR PLAN

SCALE 1 : 100

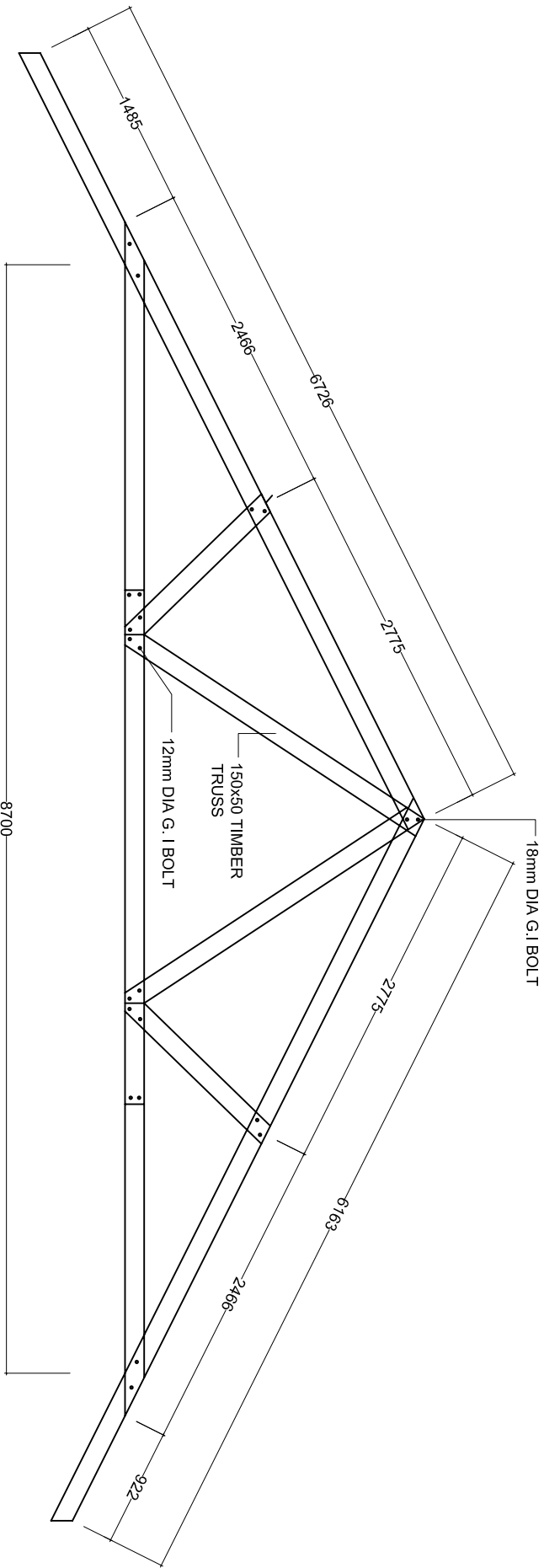




ROOF PLAN
SCALE 1 : 100

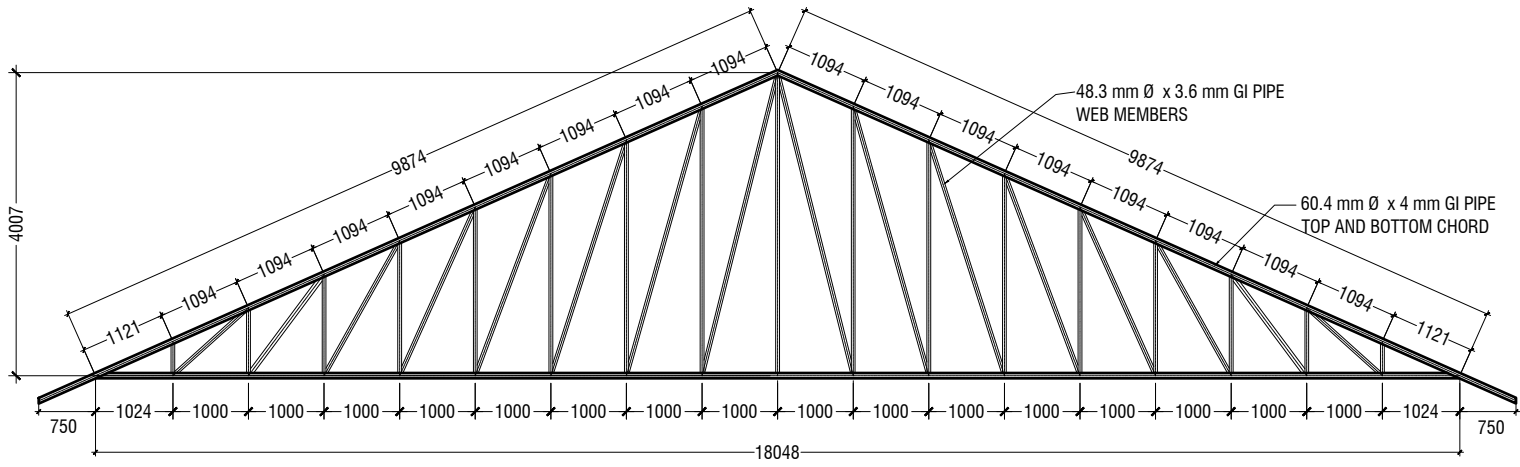


ROOF STRUCTURE PLAN
SCALE 1 : 100

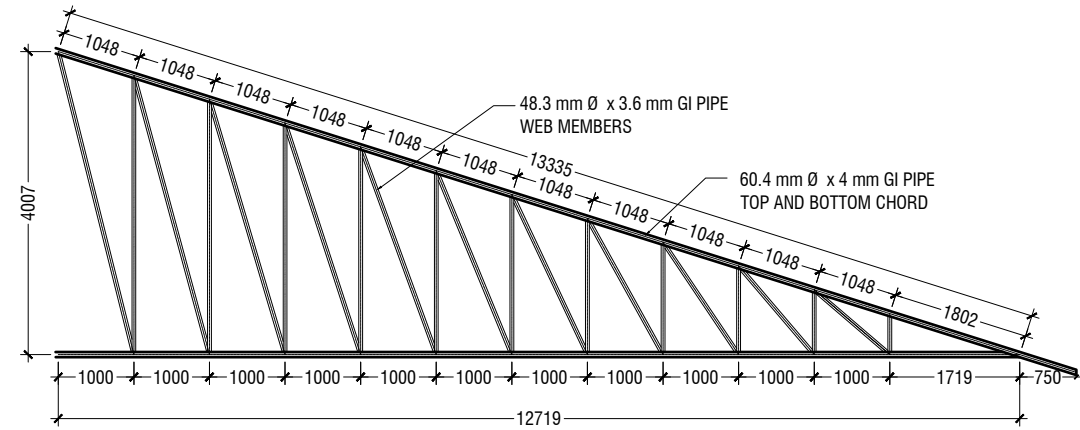


TRUSS DETAILS

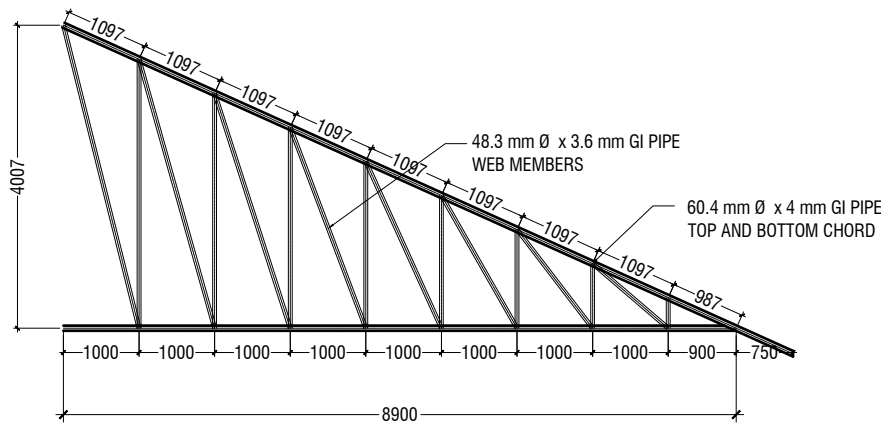
SCALE 1 : 50



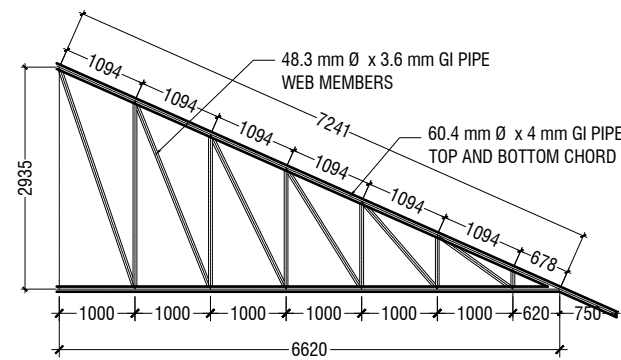
TRUSS TYPE TR1



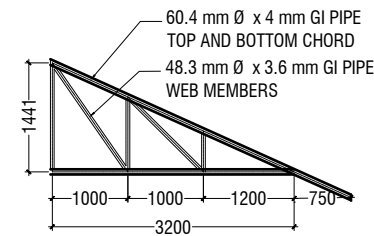
TRUSS TYPE TR2



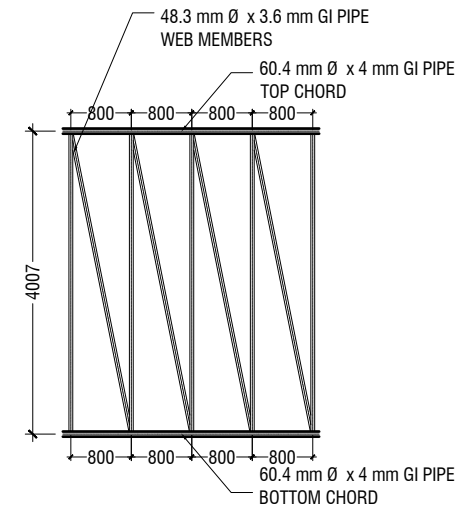
TRUSS TYPE TR3



TRUSS TYPE TR4



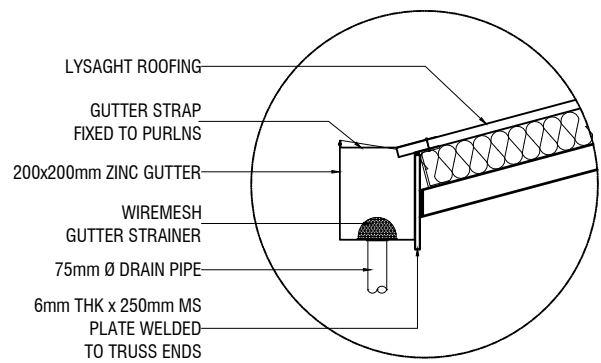
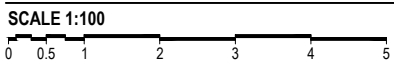
TRUSS TYPE TR5



TRUSS TYPE TR6

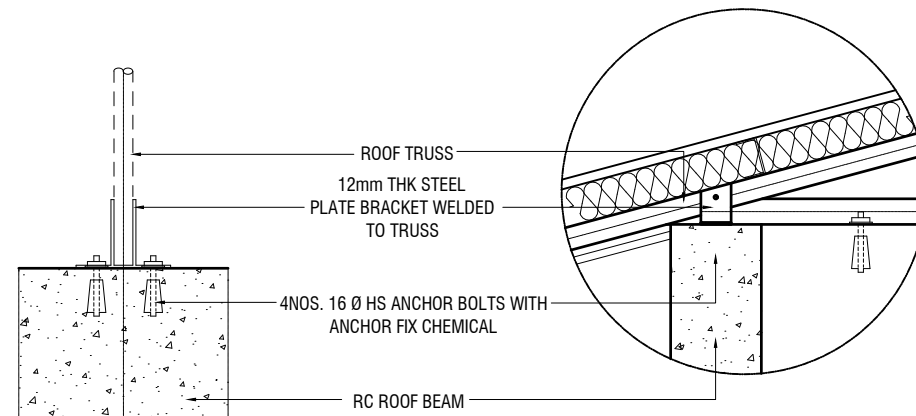
NOTE
CORROSION PROTECTION: GALVANIZED COATING THICKNESS SHALL NOT BE LESS THAN 80 MICRONS
ALL FILLET WELDS TO BE 4mm THICK
CONTRACTOR AND CONSULTANT TO CONFIRM ON SITE TRUSS SPAN AND DIMENSIONS BEFORE FABRICATION

ROOF TRUSS DETAILS



GUTTER/FASCIA DETAIL

SCALE 1:20



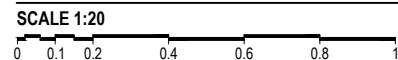
ELEVATION

SCALE 1:20

SECTION

SCALE 1:20

TYPICAL TRUSS FIXING DETAILS



Th. Veymandhoo School Hall
 Client: Ministry of Education

Rev no	Date
1	February 2021
2	
3	
4	

Project Number: RV/2017/012
 Date: February 2021
 Architect: Mariyam Irasha Shareef
 Engineer: Mohamed Muthalib Waleed
 Drawn by: Mariyam Leevan Jaleel
 Services: Alishah Ahmed
 Interior: -

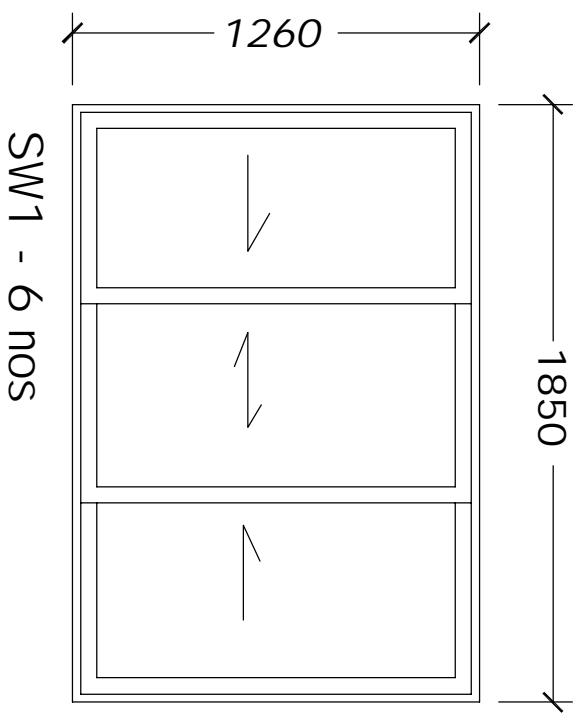
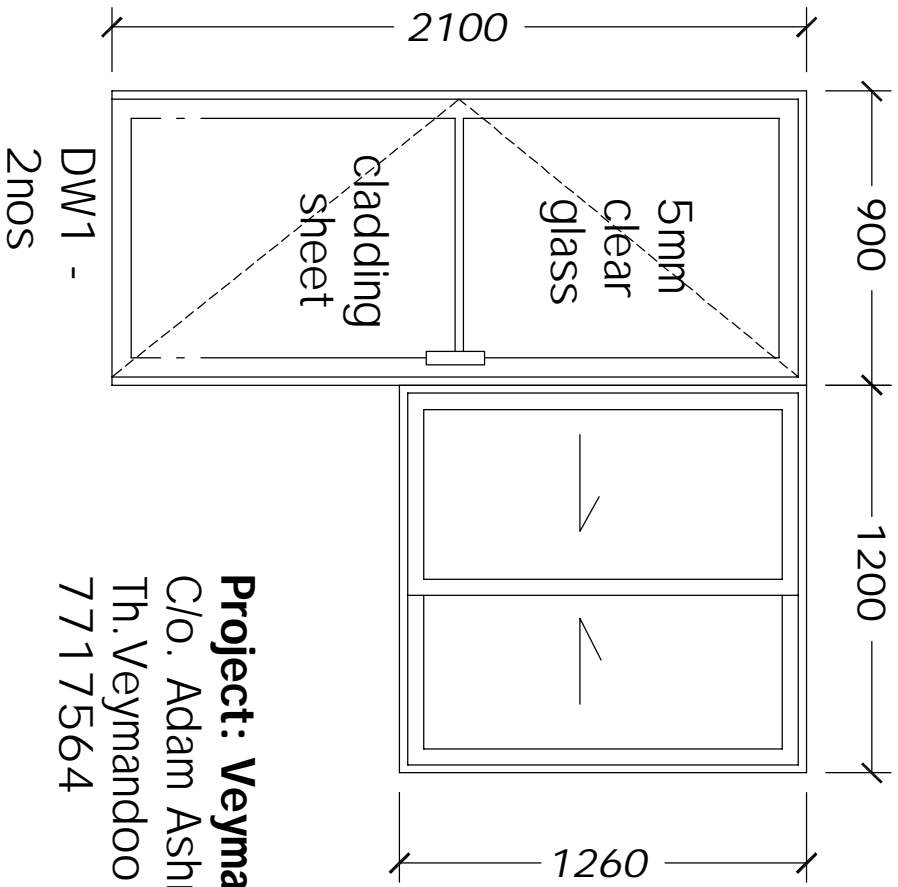


RYAN PRIVATE LIMITED
 t: +9603315049 f: +9603310776
 e: info@ryan.com.mv
 w: www.ryan.com.mv
 3rd floor, H. Azum, Ameenemagu, Male'

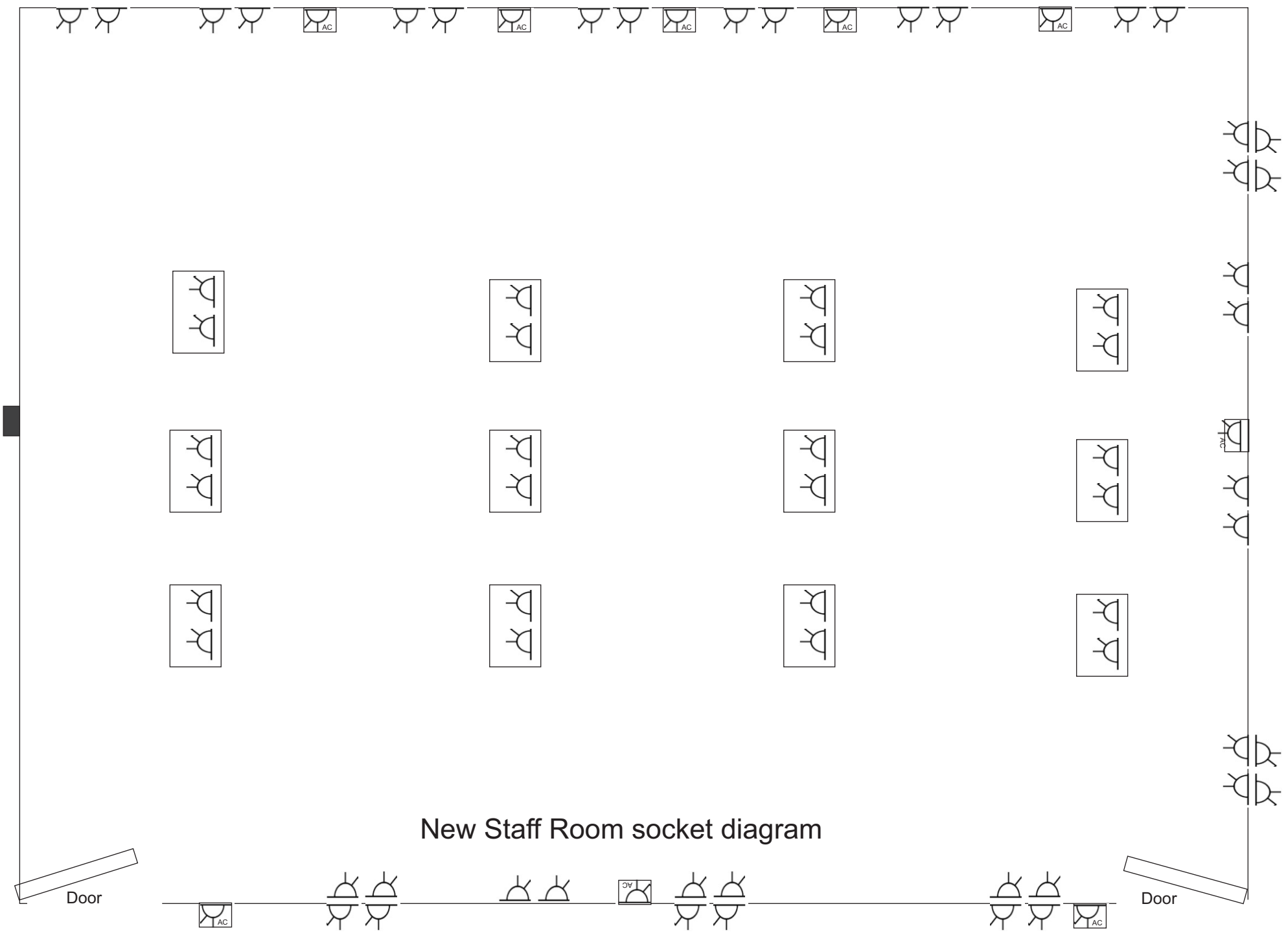
Title: Roof Truss Details

Page: S-10/12

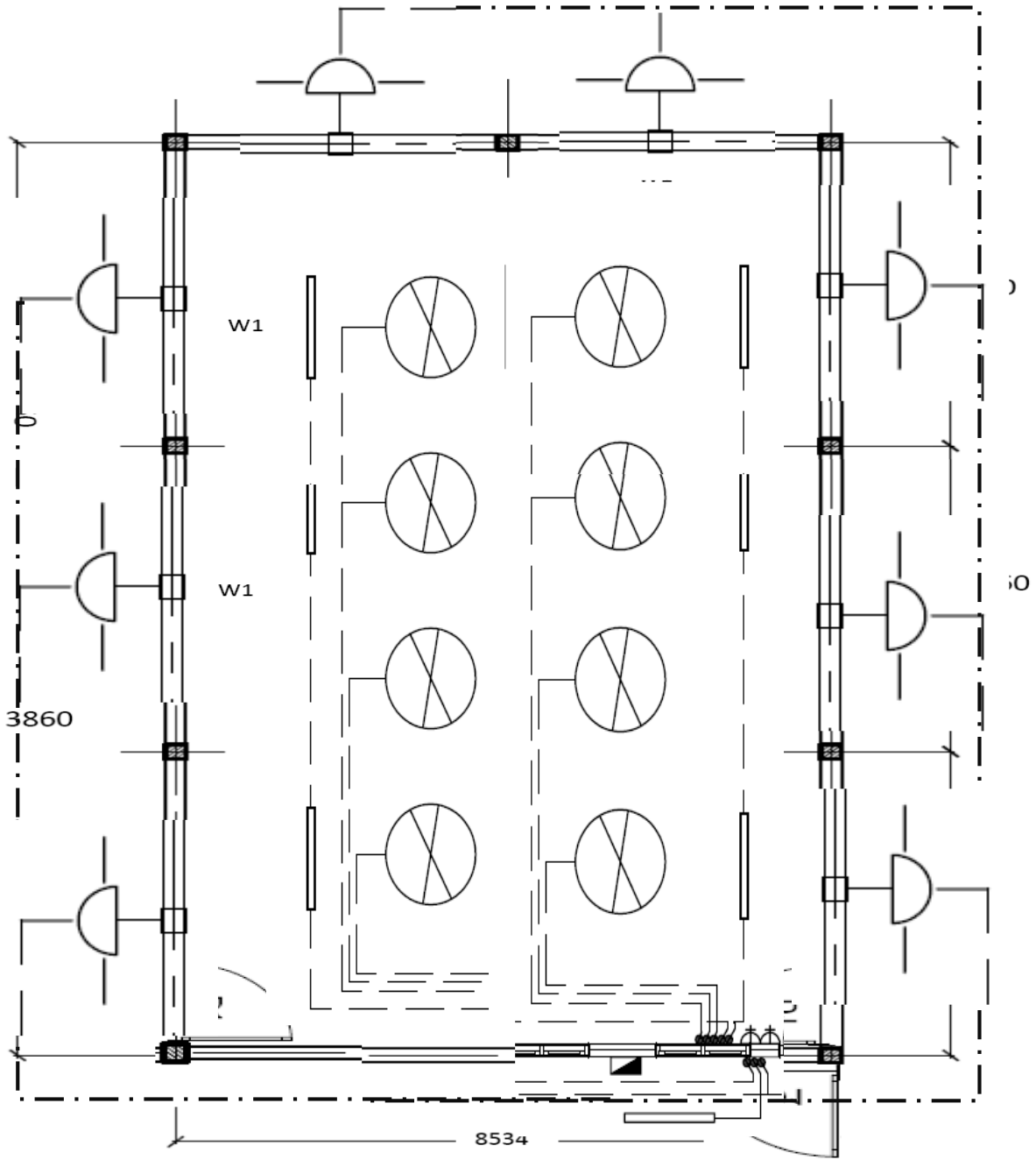
The contents of these drawings remain as a property of RYAN PRIVATE LIMITED. Any use other than those expressly stated is a violation of this copyright.



Project: Veymandoo School
 C/o. Adam Ashraf
 Th. Veymandoo
 77117564
 White/ clear



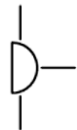
New Staff Room socket diagram



LEGEND



CEILING FAN 1200dia



WALL MOUNTED GLOBE LIGHT



DISTRIBUTION BOX

— FLOURESCENT TUBE LIGHT 40W
(with presmatic cover)



13A SOCKET OUTLET



ONE WAY SWITCH



FAN REGULATOR

ELECTRICAL PLAN

SCALE 1 : 100