



3 مقرر

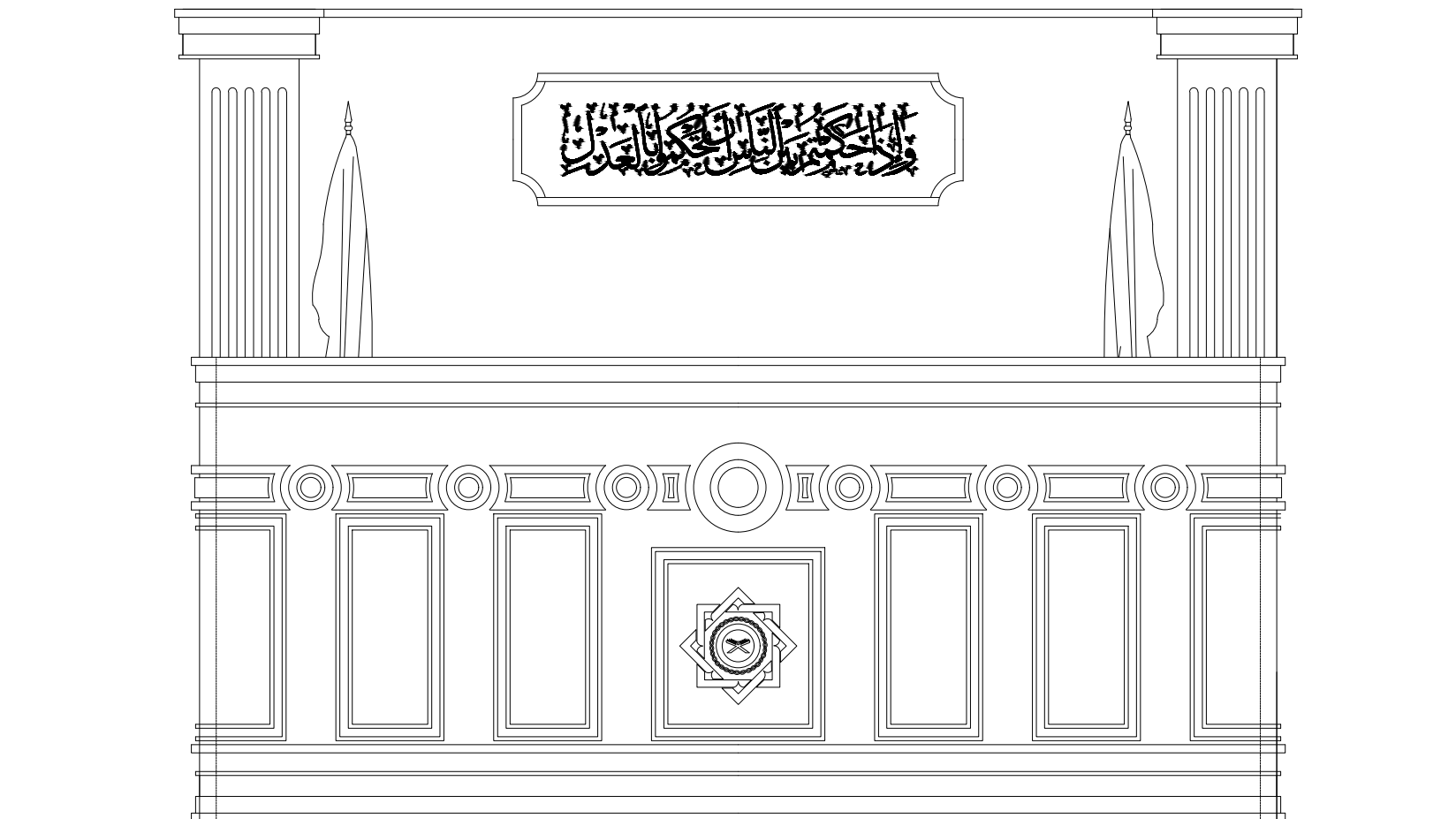
مقرر تخصصات الدراسات والبحوث

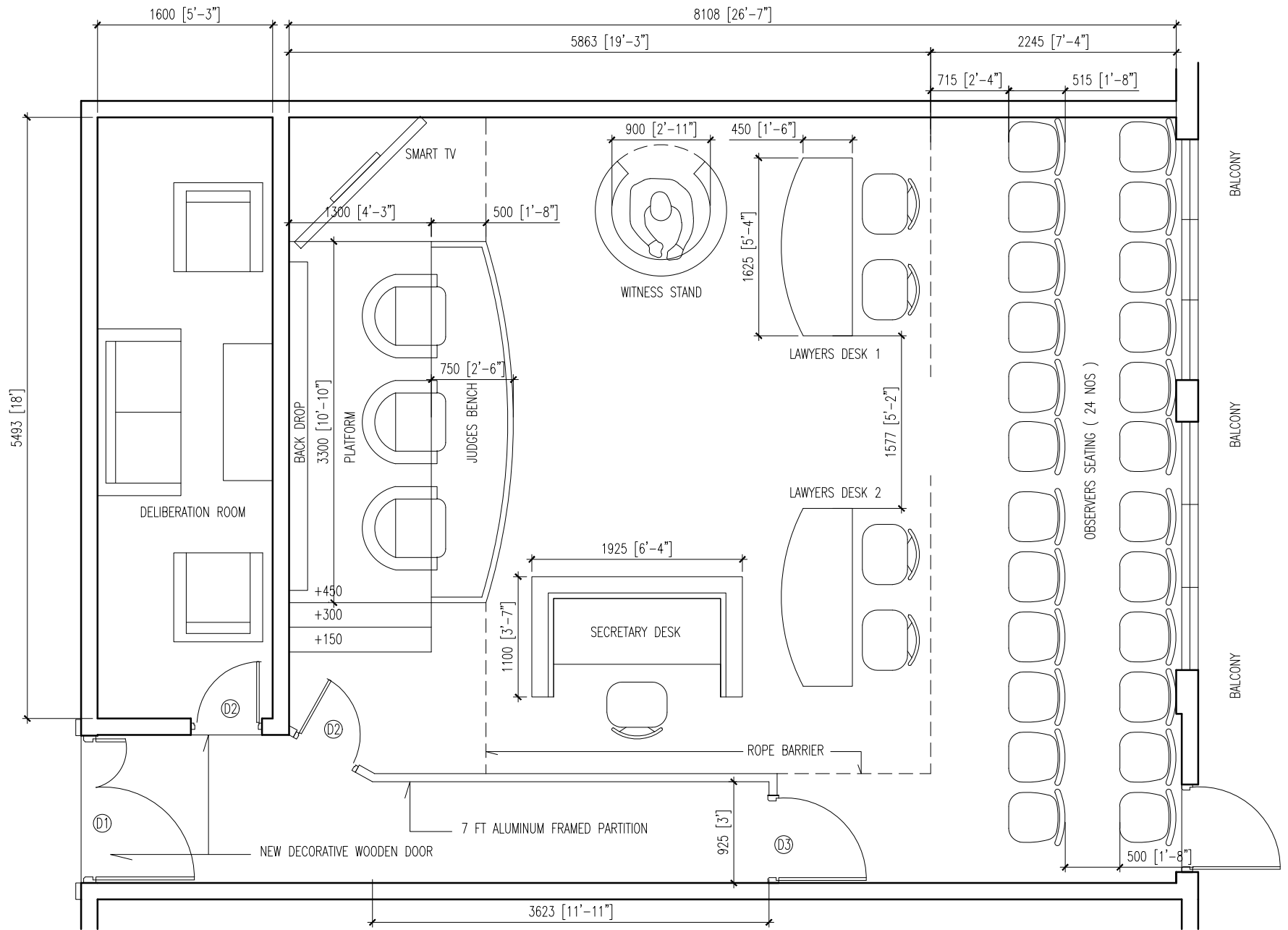
مقرر (أ) تخصصات الدراسات والبحوث من المقرر أن يدرسها الطلاب في السنة الأولى من الدراسة الجامعية.

- تخصصات الدراسات والبحوث
- تخصصات الدراسات والبحوث
- تخصصات الدراسات والبحوث
- تخصصات الدراسات والبحوث
- تخصصات الدراسات والبحوث

مقرر: مقرر تخصصات الدراسات والبحوث من المقرر أن يدرسها الطلاب في السنة الأولى من الدراسة الجامعية. مقرر تخصصات الدراسات والبحوث من المقرر أن يدرسها الطلاب في السنة الأولى من الدراسة الجامعية. مقرر تخصصات الدراسات والبحوث من المقرر أن يدرسها الطلاب في السنة الأولى من الدراسة الجامعية.


.....

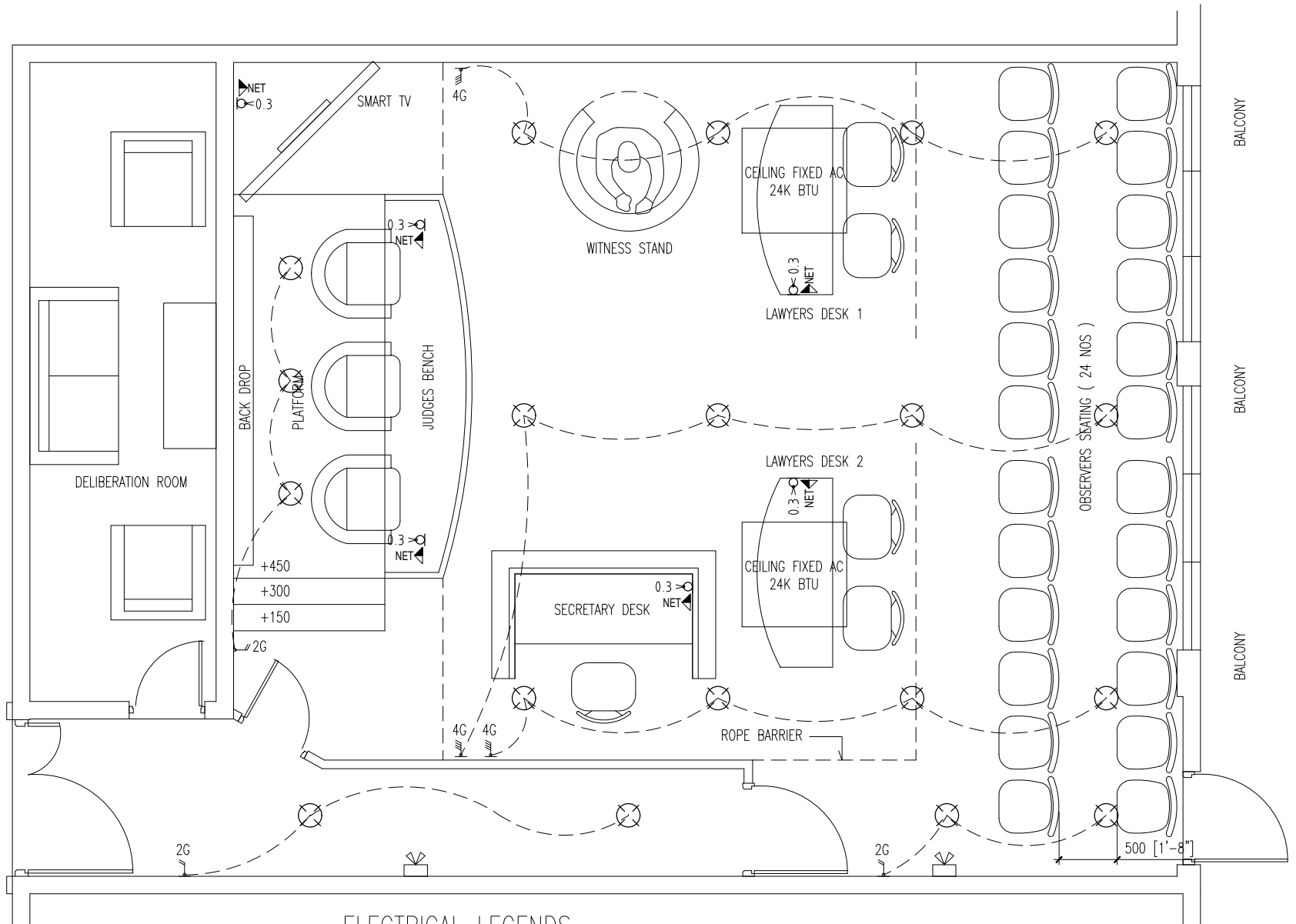




FLOOR LAYOUT

SCALE 1:50




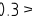
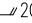
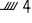
 DESIGN GRID +960 939 7557 projects.info@designgrid.net	MOOT COURT@ISLAMIC UNIVERSITY		A01
	ARCHITECT FALAAH	ENGINEER FAZEEN	



ELECTRICAL PLAN

SCALE 1:50

ELECTRICAL LEGENDS

-  CEILING RECESSED LED (18W)
-  2 GANG NETWORK SOCKET
-  WALL MOUNT EMERGENCY LIGHT 1 HOUR NON MAINTAINED (PROVIDE 13A SOCKET @ 2.5M HEIGHT)
-  2 GANG POWER SOCKET 13 A (0.3M HEIGHT)
-  2 GANG LIGHT SWITCH (1.2M HEIGHT)
-  4 GANG LIGHT SWITCH (1.2M HEIGHT)



MOOT COURT@ISLAMIC UNIVERSITY

ARCHITECT

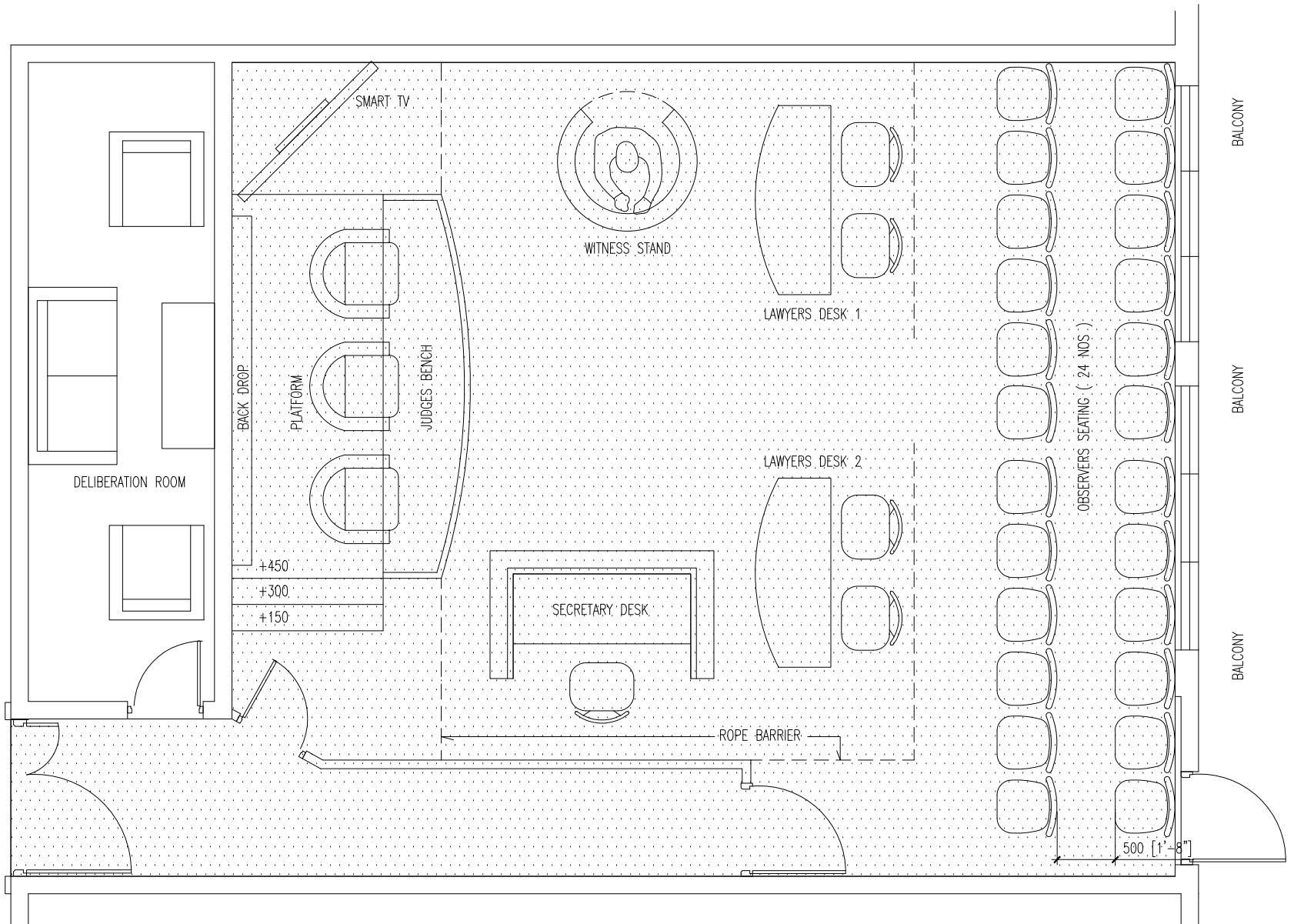
FALAAH

ENGINEER

FAZEEN

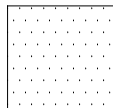
10-MAR-2022

A02




CEILING PLAN

SCALE 1:50



EXPOSED GRID BORAL CEILING
(WHITE FINISH)

* NOTE ALL INTERIOR WALL COLOR = POWEL BUFF MATT FINISH

 DESIGN GRID	MOOT COURT@ISLAMIC UNIVERSITY	
	ARCHITECT FALAAH	ENGINEER FAZEEN
10-MAR-2022		A03
<small>+960 939 7557 projects.info@designgrid.net</small>		

D3	AREA	
	OPEN AREA	
DESCRIPTION	ALUMINUM FRAMED CLAD DOOR	
MATERIALS	ALUMINUM. GLASS CLADDING	
ACCESSORIES	<ul style="list-style-type: none"> - 4 NOS BEARING HINGE - LOCK,PNEUMETIC DOOR CLOSER, - FLOOR FIX MAGNETIC DOOR STOPPER - BOTTOM SWEEP NYLON BRUSH 	
FINISHING	POWDER COATED WHITE	

D1	AREA	
	OPEN AREA	
DESCRIPTION	DECORATIVE SOLID WOODEN DOOR	
MATERIALS	SOLID WOOD	
ACCESSORIES	<ul style="list-style-type: none"> - 4 NOS BEARING HINGE PER PANEL - MORTISE LOCK, DOOR CLOSER, - FLOOR FIX MAGNETIC DOOR STOPPER - BOTTOM SWEEP NYLON BRUSH 	
FINISHING	DARK VARNISH	

D2	AREA	
	OPEN AREA	
DESCRIPTION	DECORATIVE SOLID WOODEN DOOR	
MATERIALS	SOLID WOOD	
ACCESSORIES	<ul style="list-style-type: none"> - 4 NOS BEARING HINGE PER PANEL - MORTISE LOCK, DOOR CLOSER, - FLOOR FIX MAGNETIC DOOR STOPPER - BOTTOM SWEEP NYLON BRUSH 	
FINISHING	DARK VARNISH	

1. CONFIRM ACTUAL MEASUREMENTS ON SITE BEFORE FABRICATION
 2. SUBMIT ACCESSORIES AND SHOP DRAWINGS FOR APPROVAL
 3. FOR DOOR SWING REFER FLOOR PLANES
 4. INSTALL LINTEL BEAM ABOVE DOORS/WINDOWS NOT TOUCHING BEAM BOTTOM
 5. INSTALL SILL BEAM BELOW WINDOWS
 6. ALL DOOR/WINDOWS VIEWED FROM EXTERIOR
- NGL= NATURAL GROUND LEVEL FFL= FINISHED FLOOR LEVEL FG= FIXED GLASS
WD=WOOD CG=CLEAR GLASS LW=LOUVERS

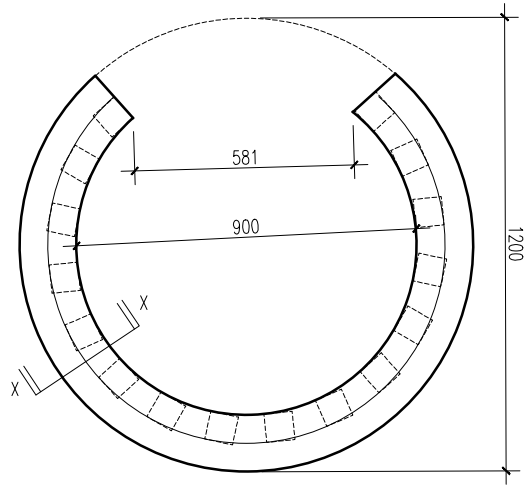
DOOR & WINDOW SCHEDULES

SCALE 1:50

	MOOT COURT@ISLAMIC UNIVERSITY	
	ARCHITECT FALAAH	ENGINEER FAZEEN
	10-MAR-2022	A04
+960 939 7557 projects.info@designgrid.net		

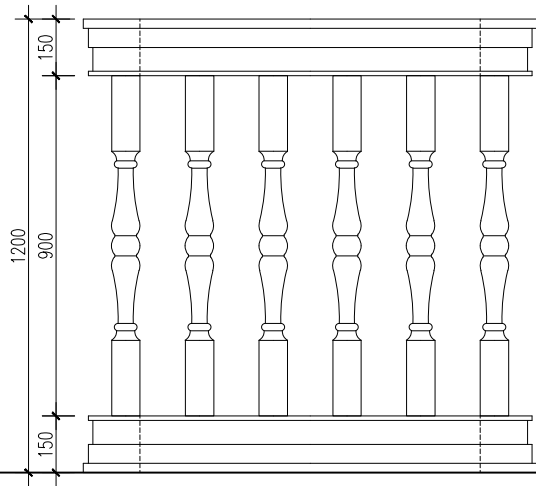
○	AREA	
	OPEN AREA	
DESCRIPTION	7FT H PARTITION WALL	
MATERIALS	ALUMINUM, GLASS	
ACCESSORIES		
FINISHING	WOOD FINISH ON ALUMINUM FRAME	

 DESIGN GRID <small>+960 939 7557 projects.info@designgrid.net</small>	MOOT COURT@ISLAMIC UNIVERSITY		A05
	ARCHITECT	ENGINEER	
	FALAAH	FAZEEN	
10-MAR-2022			



PLAN

SCALE 1:20

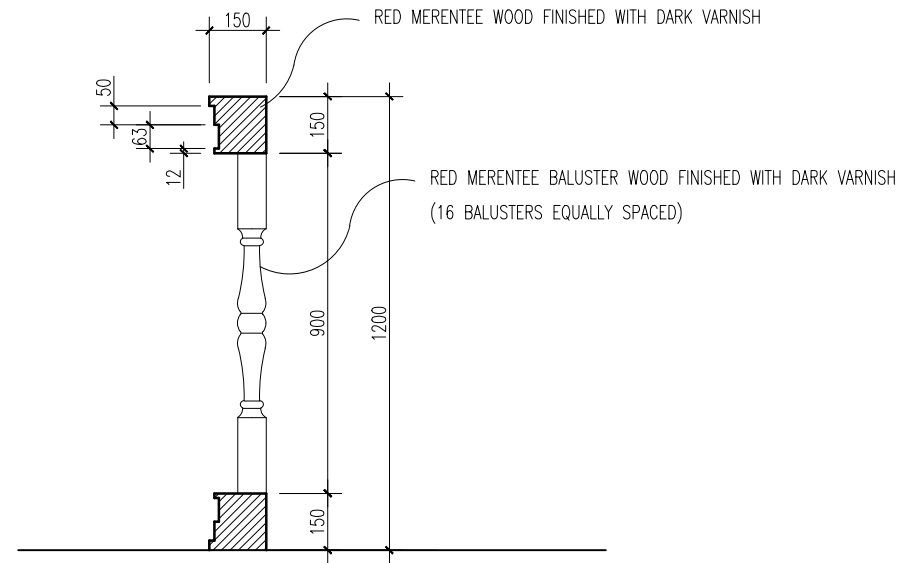


ELEVATION

SCALE 1:20

WITNESS STAND

SCALE 1:20




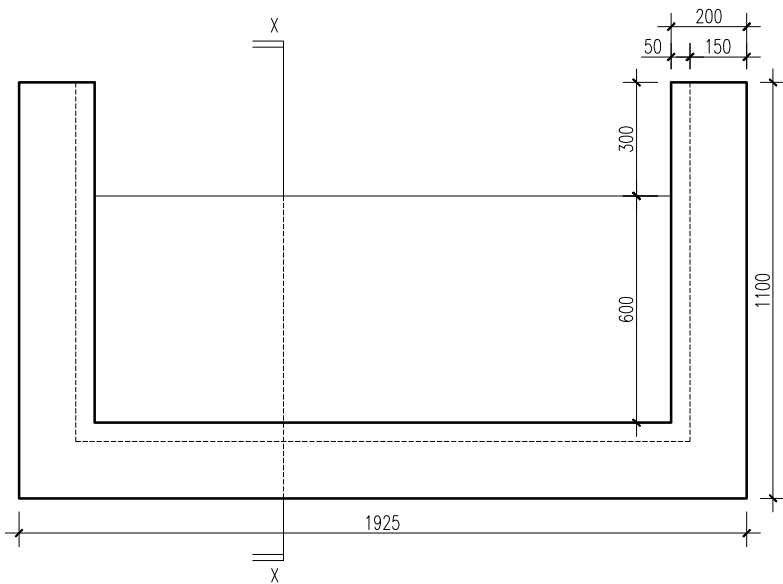
SECTION

SCALE 1:20

NOTE:

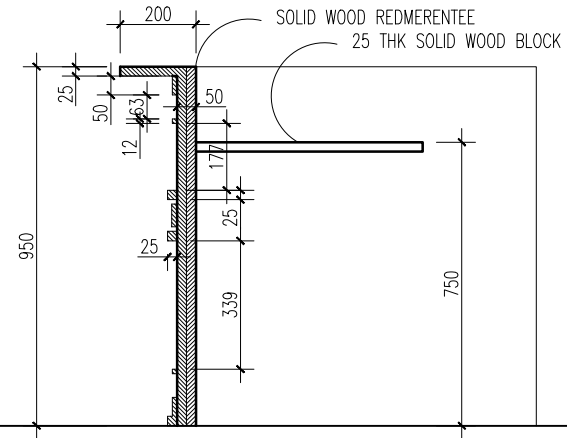
ALL TIMBERS SHALL BE TREATED WITH SOLIGNUM OR EQUIVALENT. VARNISH SHALL BE APPROVED FROM THE CLIENT BEFORE APPLICATION.

 DESIGN GRID <small>+960 939 7557 projects.info@designgrid.net</small>	MOOT COURT@ISLAMIC UNIVERSITY		A06
	ARCHITECT FALAAH 10-MAR-2022	ENGINEER FAZEEN	



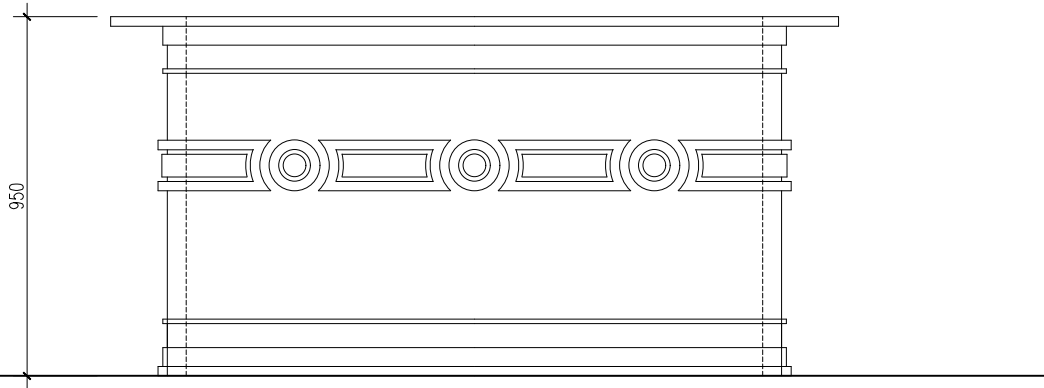
PLAN

SCALE 1:20



SECTION

SCALE 1:20



ELEVATION


SCALE 1:20

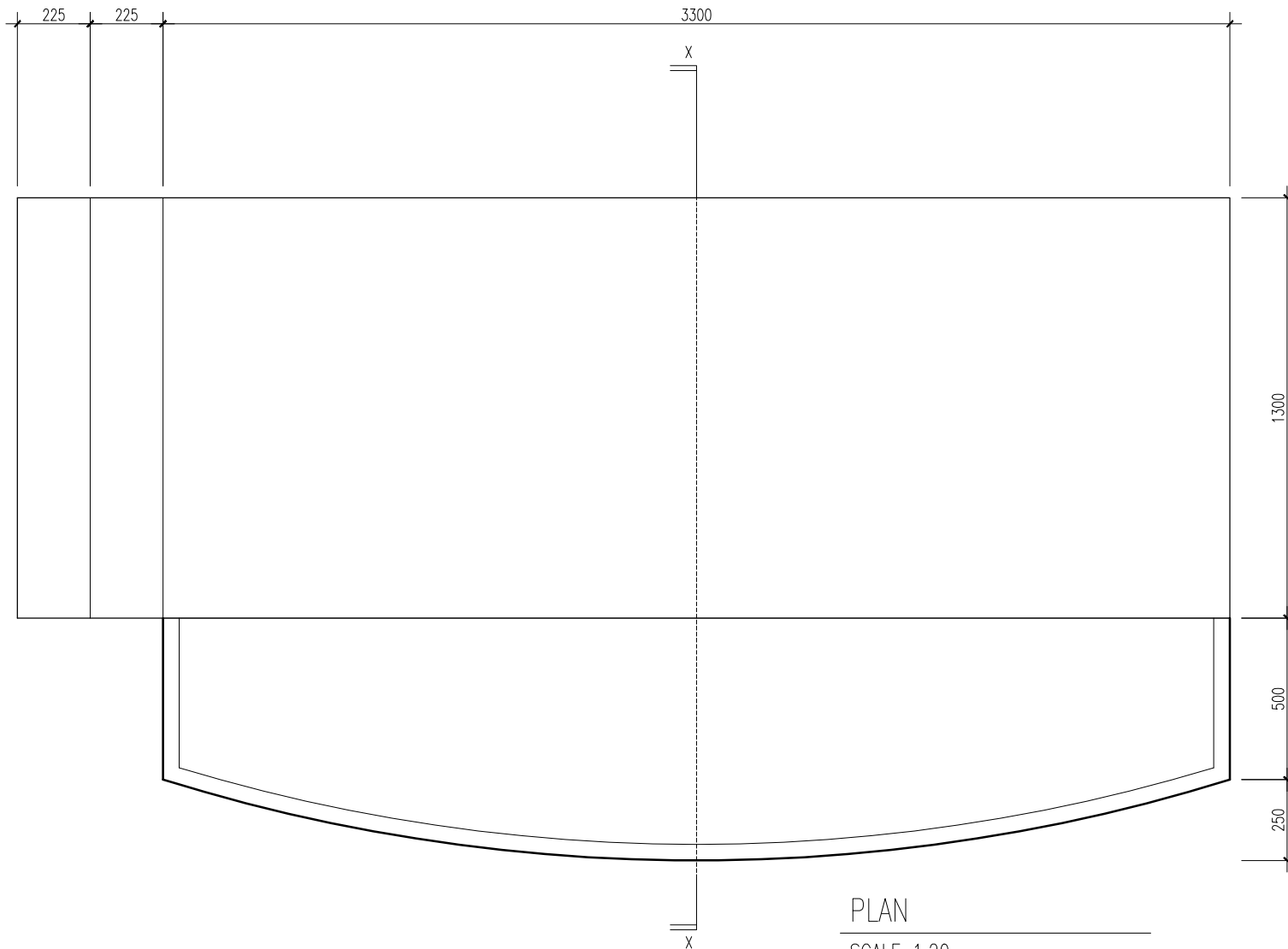
SECRETARY DESK

SCALE 1:20

NOTE:


ALL TIMBERS SHALL BE TREATED WITH SOLIGNUM OR EQUIVALENT. VARNISH SHALL BE APPROVED FROM THE CLIENT BEFORE APPLICATION.

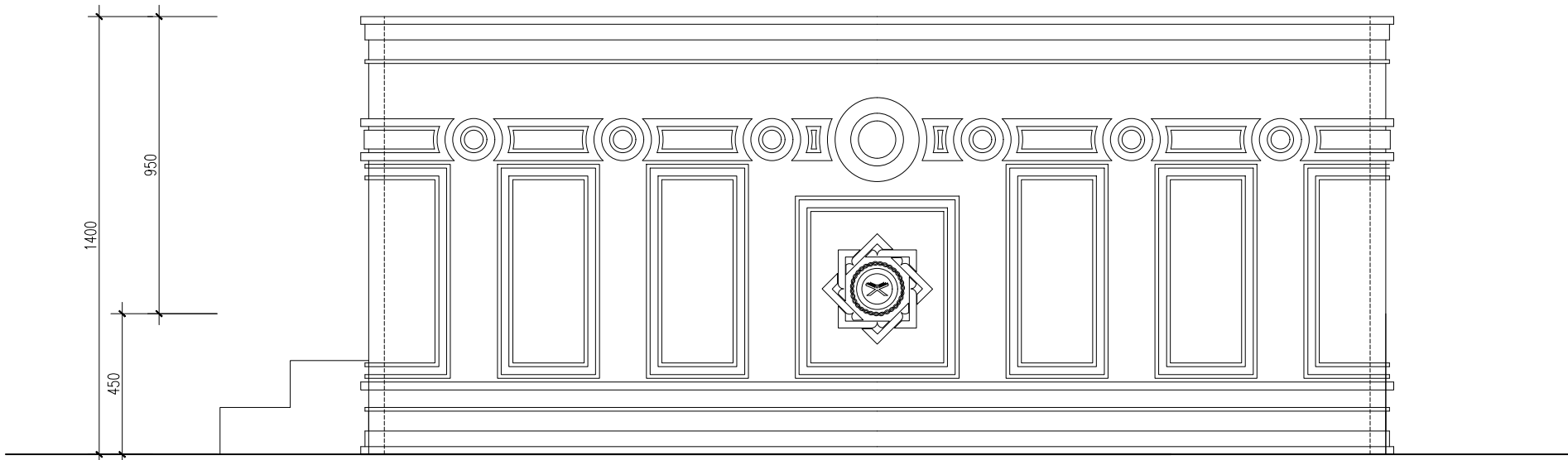
 DESIGN GRID	MOOT COURT@ISLAMIC UNIVERSITY		A07
	ARCHITECT FALAAH	ENGINEER FAZEEN	
	10-MAR-2022		
+960 939 7557		projects.info@designgrid.net	



PLAN
SCALE 1:20

JUDGES BENCH
SCALE 1:20

 DESIGN GRID <small>+960 939 7557 projects.info@designgrid.net</small>	MOOT COURT@ISLAMIC UNIVERSITY		A08
	ARCHITECT FALAAH 10-MAR-2022	ENGINEER FAZEEN	



ELEVATION


SCALE 1:20

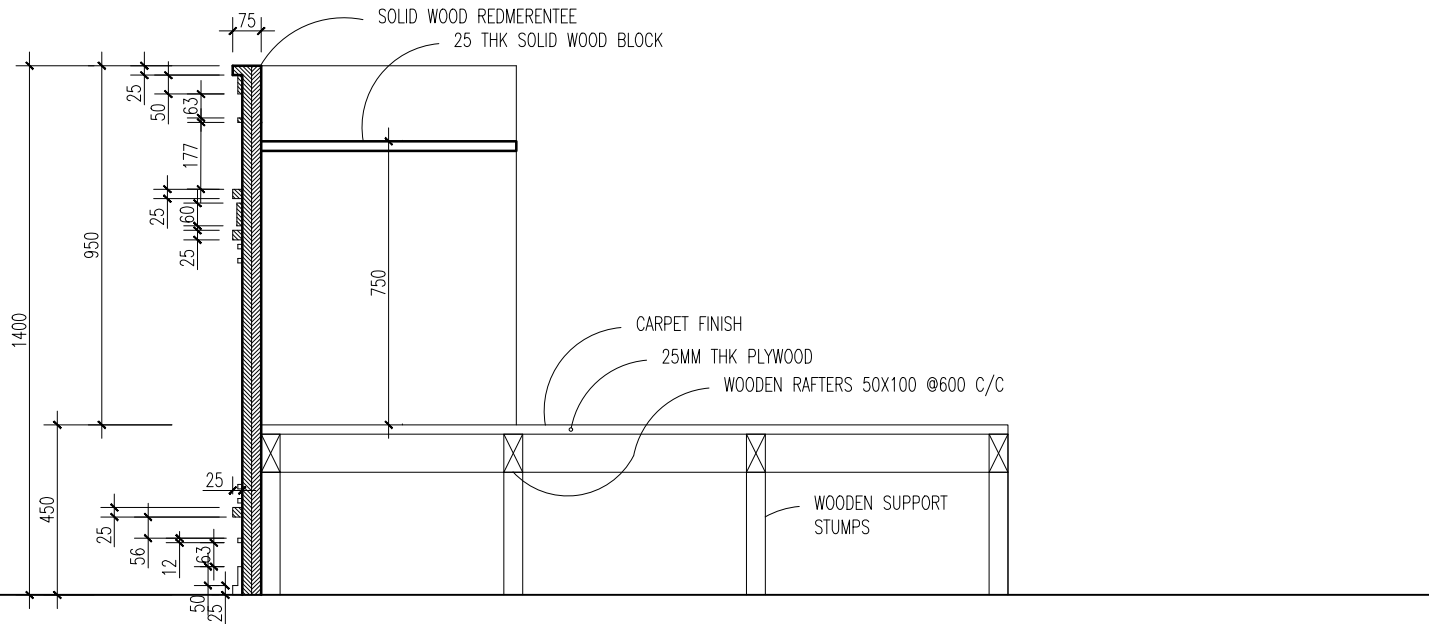
JUDGES BENCH

SCALE 1:20

NOTE:

ALL TIMBERS SHALL BE TREATED WITH SOLIGNUM OR EQUIVALENT.
 VARNISH SHALL BE APPROVED FROM THE CLIENT BEFORE APPLICATION.

 DESIGN GRID <small>+960 939 7557 projects.info@designgrid.net</small>	MOOT COURT@ISLAMIC UNIVERSITY		A09
	ARCHITECT FALAAH 10-MAR-2022	ENGINEER FAZEEN	



SECTION


SCALE 1:20

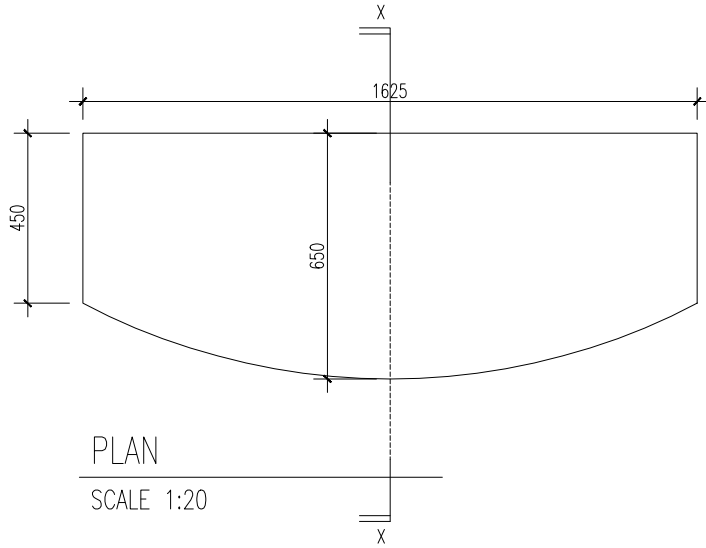
NOTE:

ALL TIMBERS SHALL BE TREATED WITH SOLIGNUM OR EQUIVALENT. VARNISH SHALL BE APPROVED FROM THE CLIENT BEFORE APPLICATION.

JUDGES BENCH

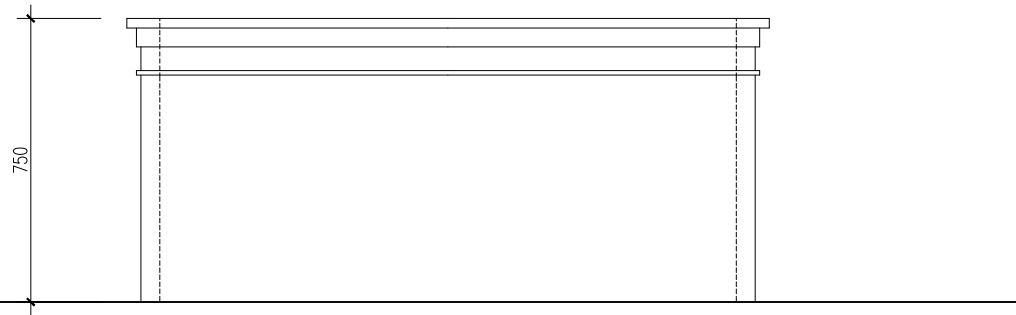
SCALE 1:20

 DESIGN GRID	MOOT COURT@ISLAMIC UNIVERSITY	
	ARCHITECT FALAAH	ENGINEER FAZEEN
10-MAR-2022		A10
<small>+960 939 7557 projects.info@designgrid.net</small>		



PLAN

SCALE 1:20



ELEVATION

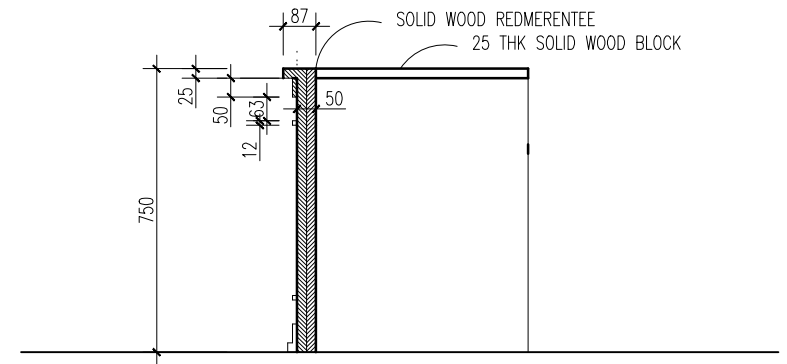
SCALE 1:20

LAWYERS DESK

SCALE 1:20


NOTE:

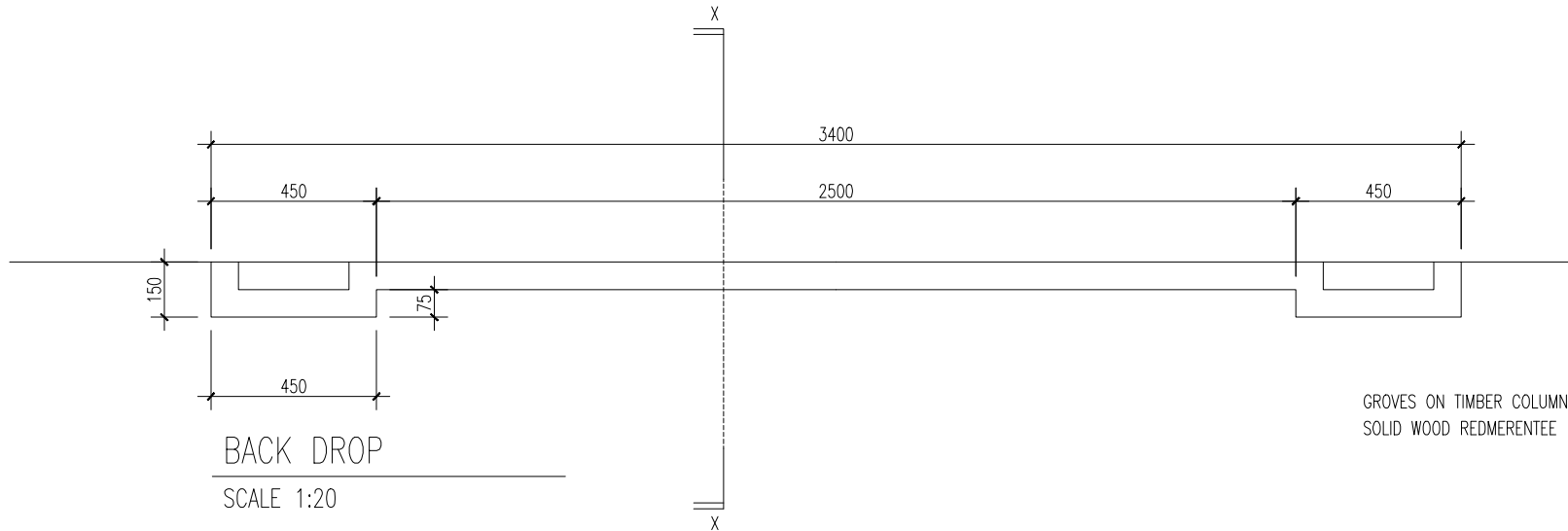
ALL TIMBERS SHALL BE TREATED WITH SOLIGNUM OR EQUIVALENT. VARNISH SHALL BE APPROVED FROM THE CLIENT BEFORE APPLICATION.



SECTION

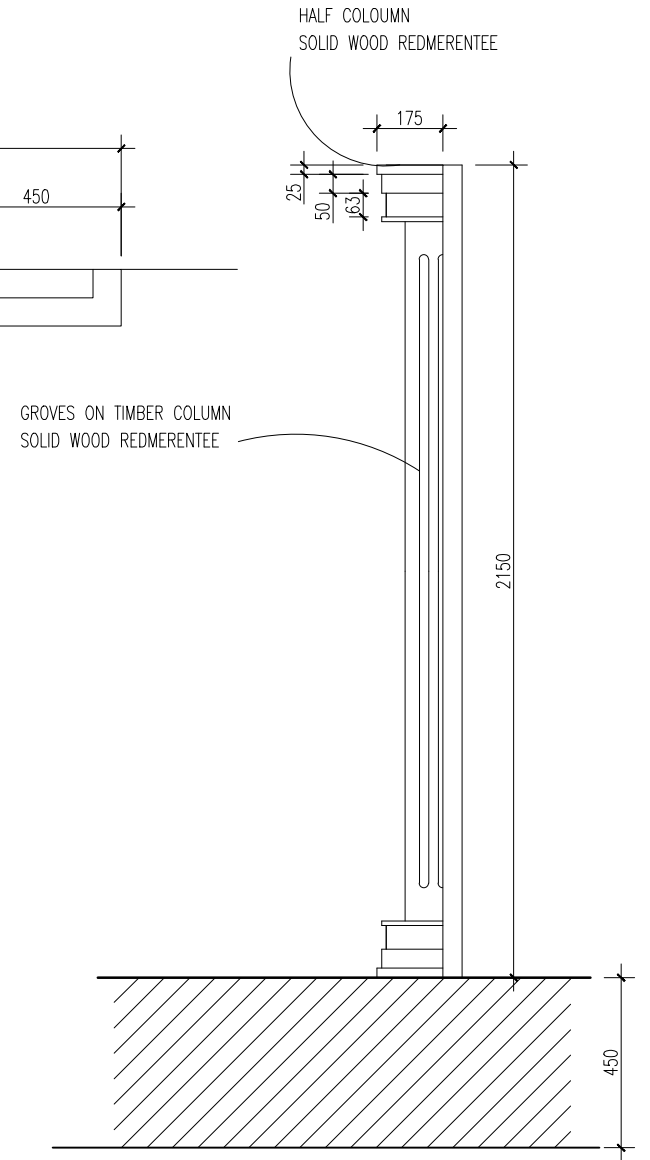
SCALE 1:20

 DESIGN GRID +960 939 7557 projects.info@designgrid.net	MOOT COURT@ISLAMIC UNIVERSITY		A11
	ARCHITECT FALAAH 10-MAR-2022	ENGINEER FAZEEN	




NOTE:

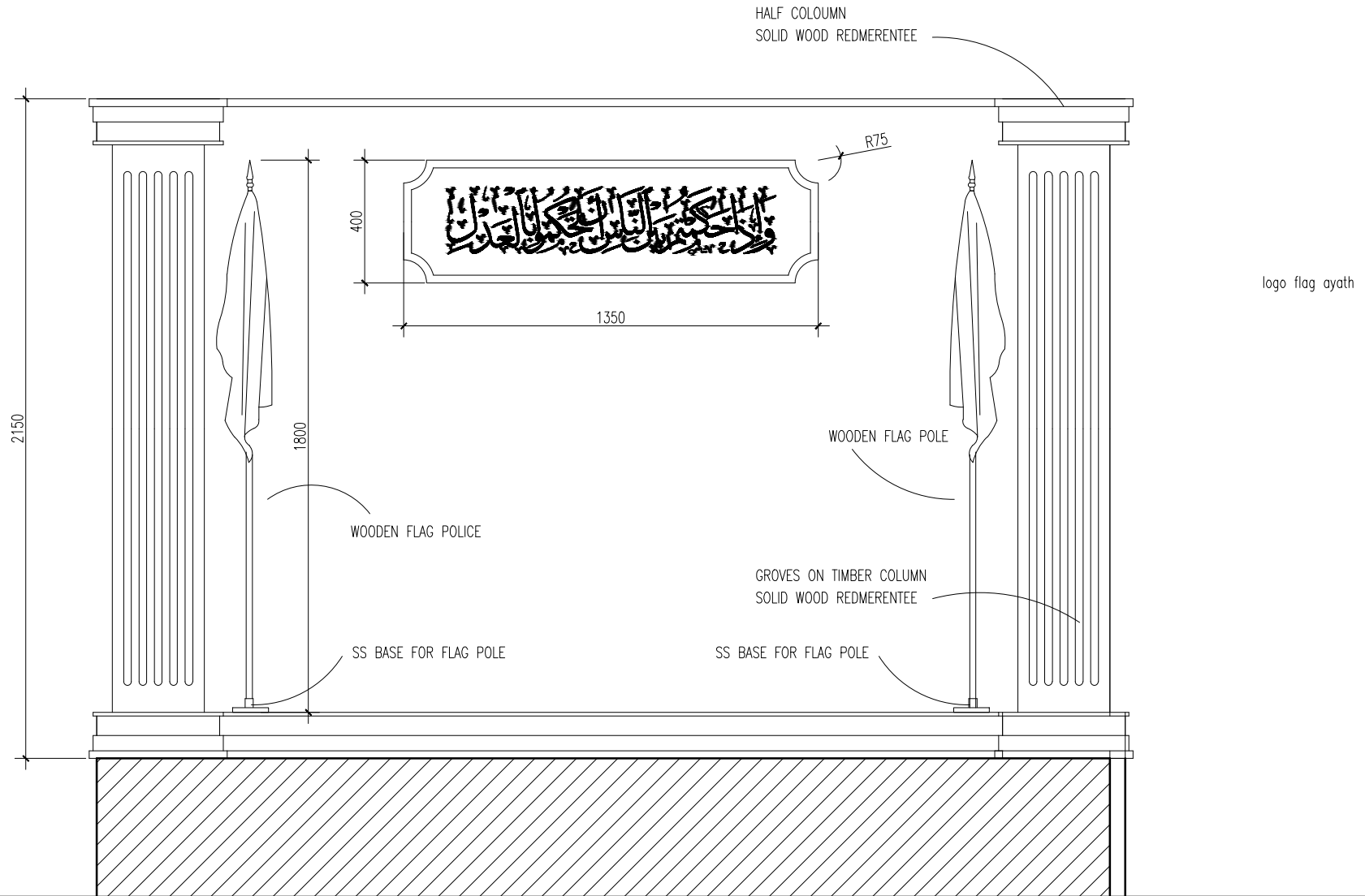
ALL TIMBERS SHALL BE TREATED WITH SOLIGNUM OR EQUIVALENT. VARNISH SHALL BE APPROVED FROM THE CLIENT BEFORE APPLICATION.



SECTION

SCALE 1:20


 DESIGN GRID +960 939 7557 projects.info@designgrid.net	MOOT COURT@ISLAMIC UNIVERSITY		A12
	ARCHITECT FALAAH	ENGINEER FAZEEN	

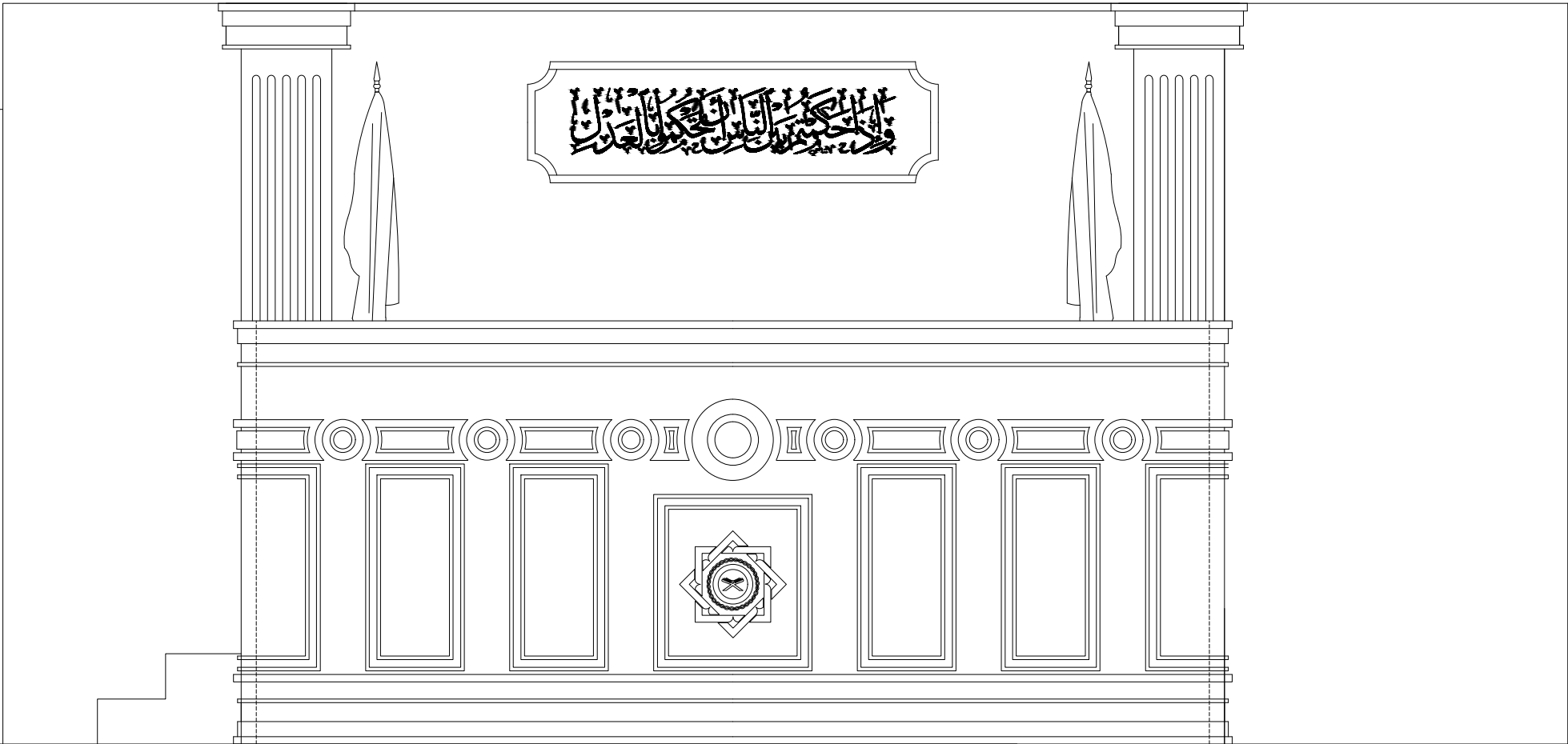


BACK DROP
SCALE 1:20

NOTE:
ALL TIMBERS SHALL BE TREATED WITH SOLIGNUM OR EQUIVALENT. VARNISH SHALL BE APPROVED FROM THE CLIENT BEFORE APPLICATION.

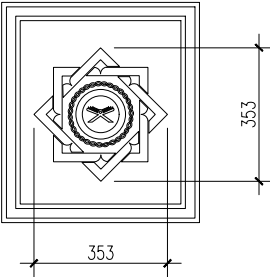
ELEVATION
SCALE 1:20


 DESIGN GRID +960 939 7557 projects.info@designgrid.net	MOOT COURT@ISLAMIC UNIVERSITY		A13
	ARCHITECT FALAAH 10-MAR-2022	ENGINEER FAZEEN	



ELEVATION

SCALE 1:20



 DESIGN GRID +960 939 7557 projects.info@designgrid.net	MOOT COURT@ISLAMIC UNIVERSITY		A14
	ARCHITECT FALAAH	ENGINEER FAZEEN	
	10-MAR-2022		