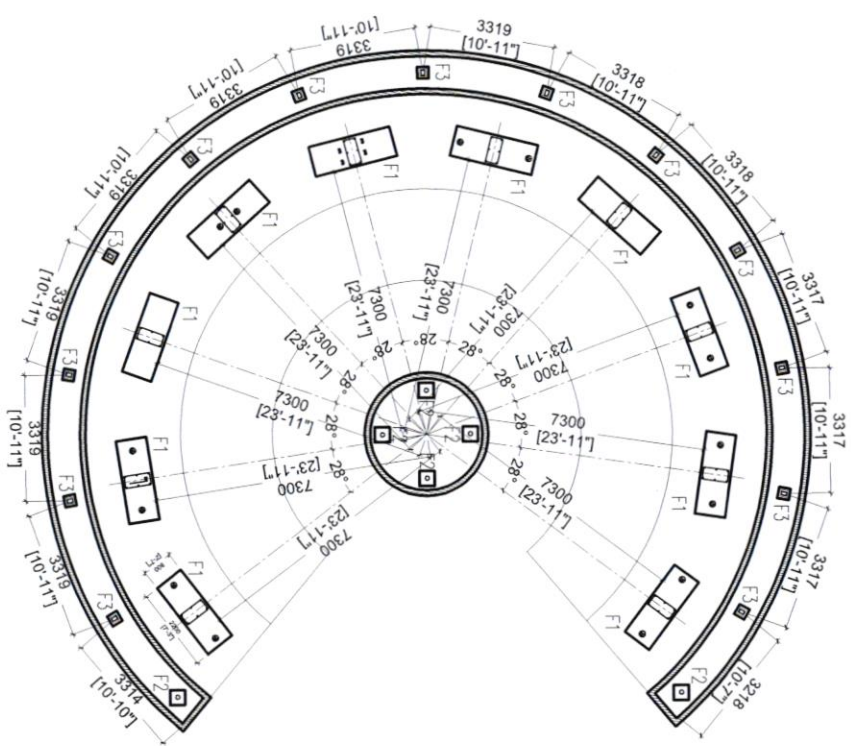


PAVING PLAN (OPTION 2)

SCALE 1:200



TOTAL AREA=	422.95 m ²
GRAY PAVING AREA=	44.04 m ²
RED PAVING AREA=	95.47 m ²
GREEN PAVING AREA=	62.05 m ²
OUTER PLANTER BOX AREA=	51.35 m ²
CENTER PLANTER BOX AREA=	8.07 m ²



FOOTING PLAN

SCALE 1:200

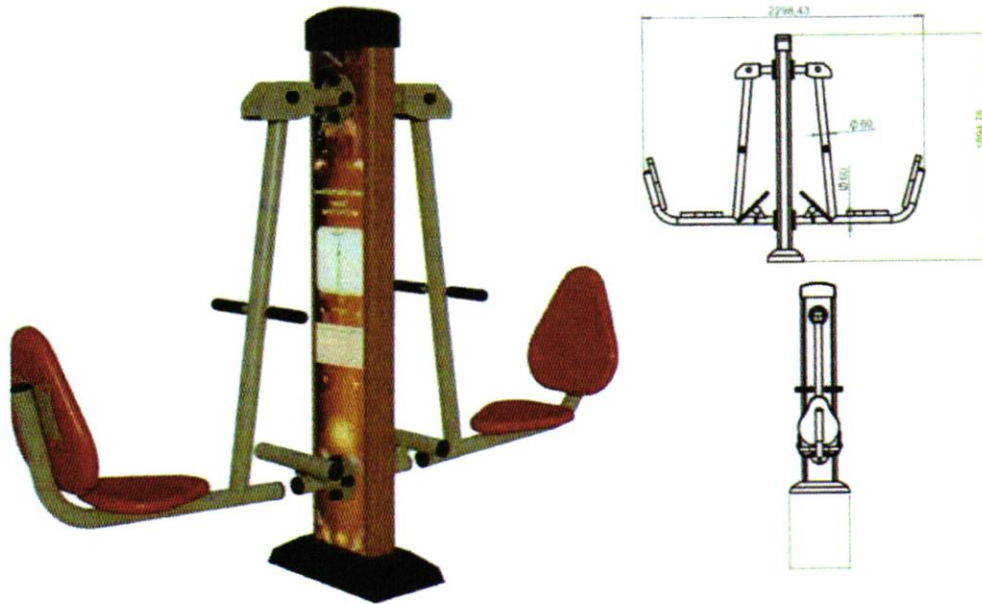


NOTE:
 F1 - 2200X800X250 - 110Ø200/c BW B0T
 ALL THE BEAMS ARE OF TYPE TB

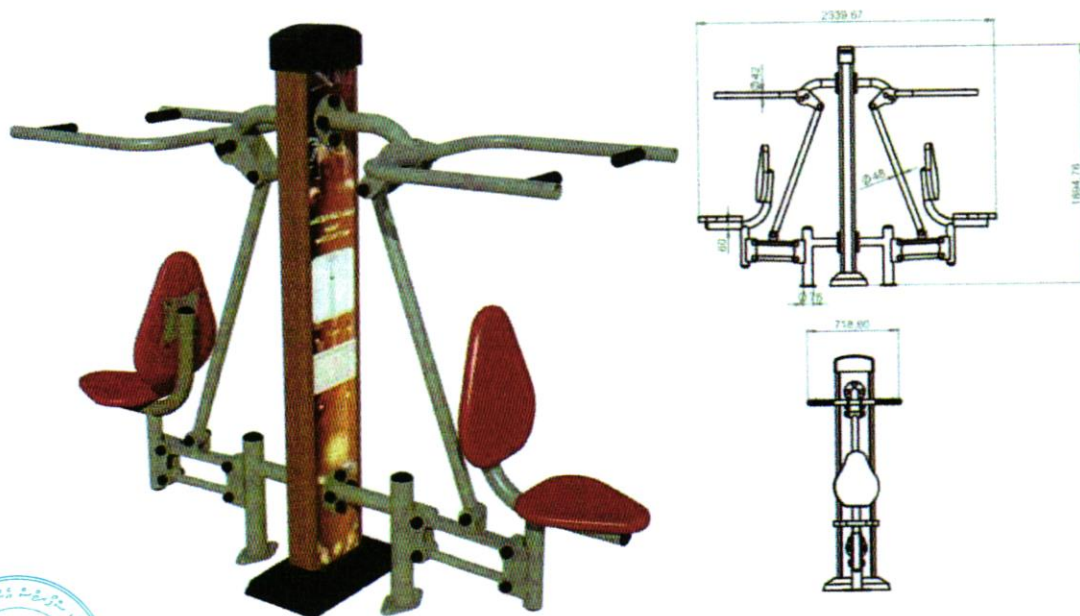
ANNEX 1 -

A. Proposed Equipment with Technical Drawings

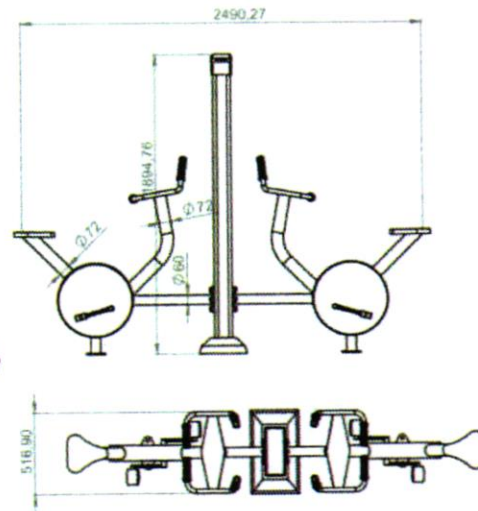
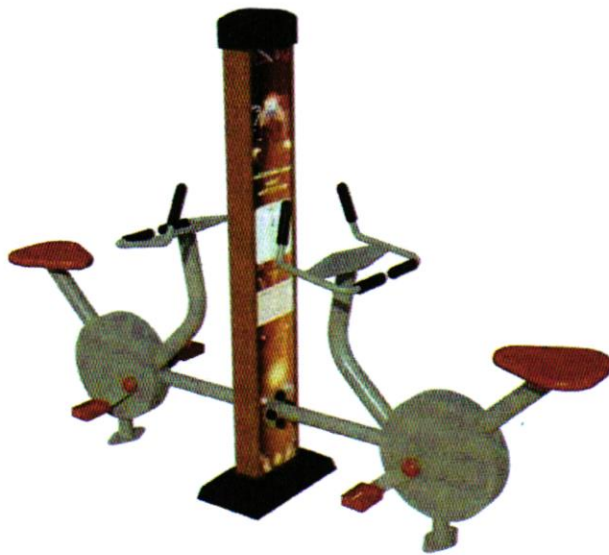
1. PD 1650 – Double Leg Press Trainer



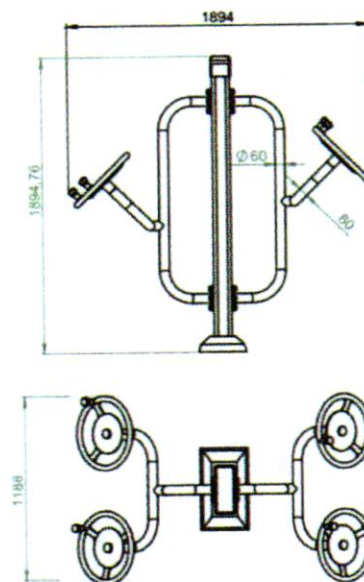
2. PD 1652 – Double Seated Pull-Down Trainer



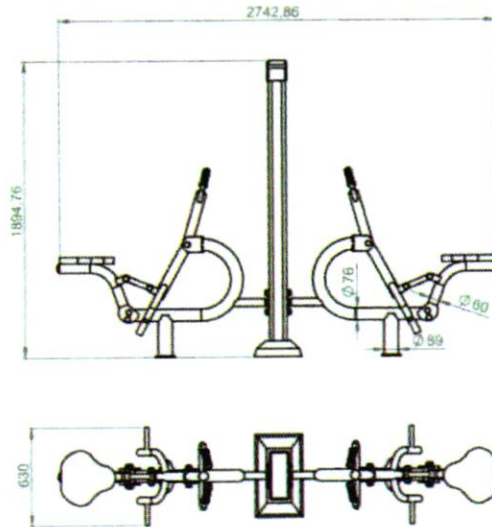
3. PD 1654 – Double Bike



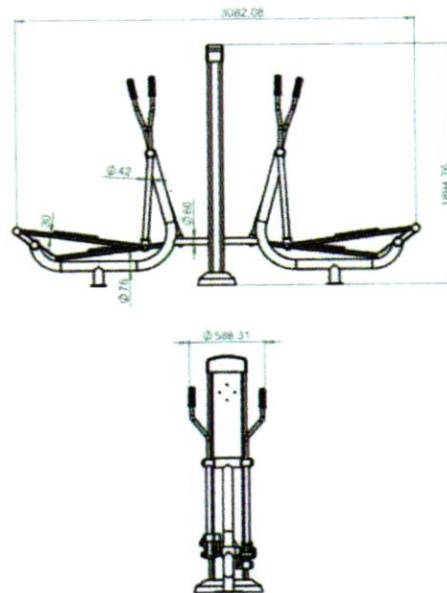
4. PD 1656 – Double Tai-Chi Spinner



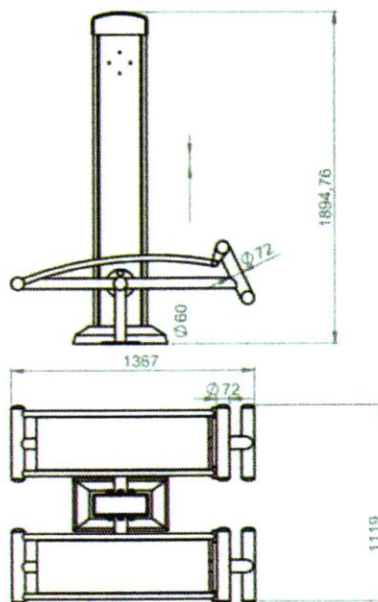
5. PD 1658 – Double Riding Trainer × 2



6. PD 1666 – Double Elliptical Trainer × 2



7. PD 1670 – Double Sit-up Bench



8. PD 1672 – Double Air-Walker

