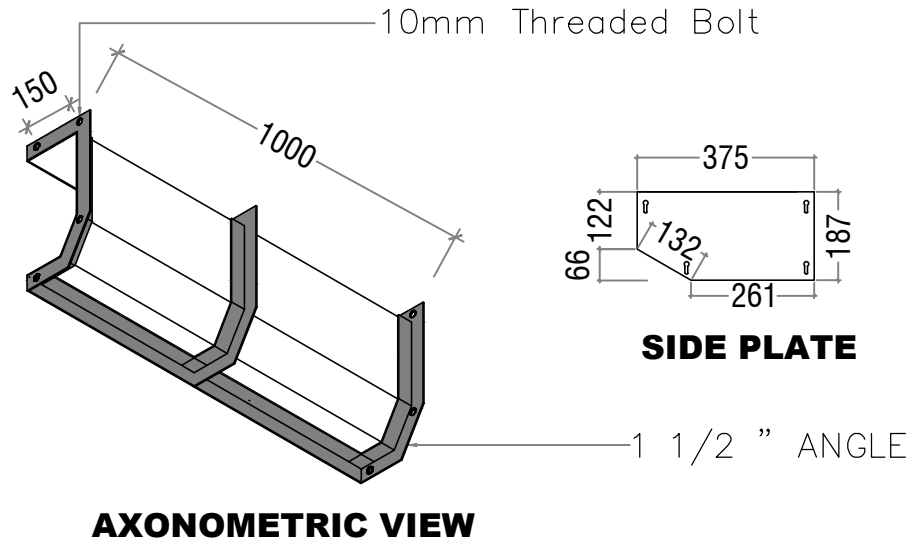


**SIDE VIEW**



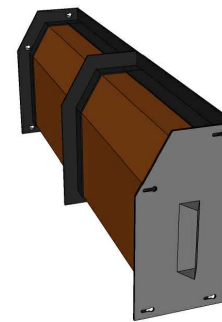
**AXONOMETRIC VIEW**

**SIDE PLATE**

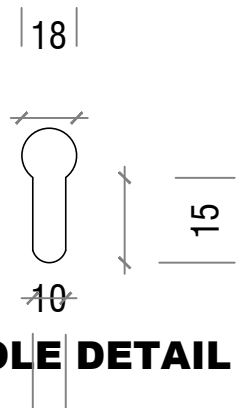


**PERSPECTIVE VIEW**


Curbstone Mould  
 Body: 3mm MS Sheet  
 Screw: 10mm



**PERSPECTIVE VIEW WITH CAP**



**HOLE DETAIL**

<b>PROJECT:</b>			
<b>CLIENT:</b>	<b>CONTRACTOR:</b>	<b>DRAWING TITLE:</b>	
MALE' CITY COUNCIL KAMBAA AISAA RANI HINGUN, MALE' REPUBLIC OF MALDIVES	ROAD DEVELOPMENT CORPORATION LTD. ORCHID MAGU, MAAFANNU, MALE' REPUBLIC OF MALDIVES	<b>CURBSTONE MOLD</b>	
			<b>DRAWN BY:</b> AHMED IRFAN
			<b>APPROVED BY:</b> ALI ZAMEER
			<b>PROJECT NO:</b>
			<b>DRAWING NO:</b>
			<b>SCALE:</b> 1:16
			<b>DATE:</b> MARCH 2022