


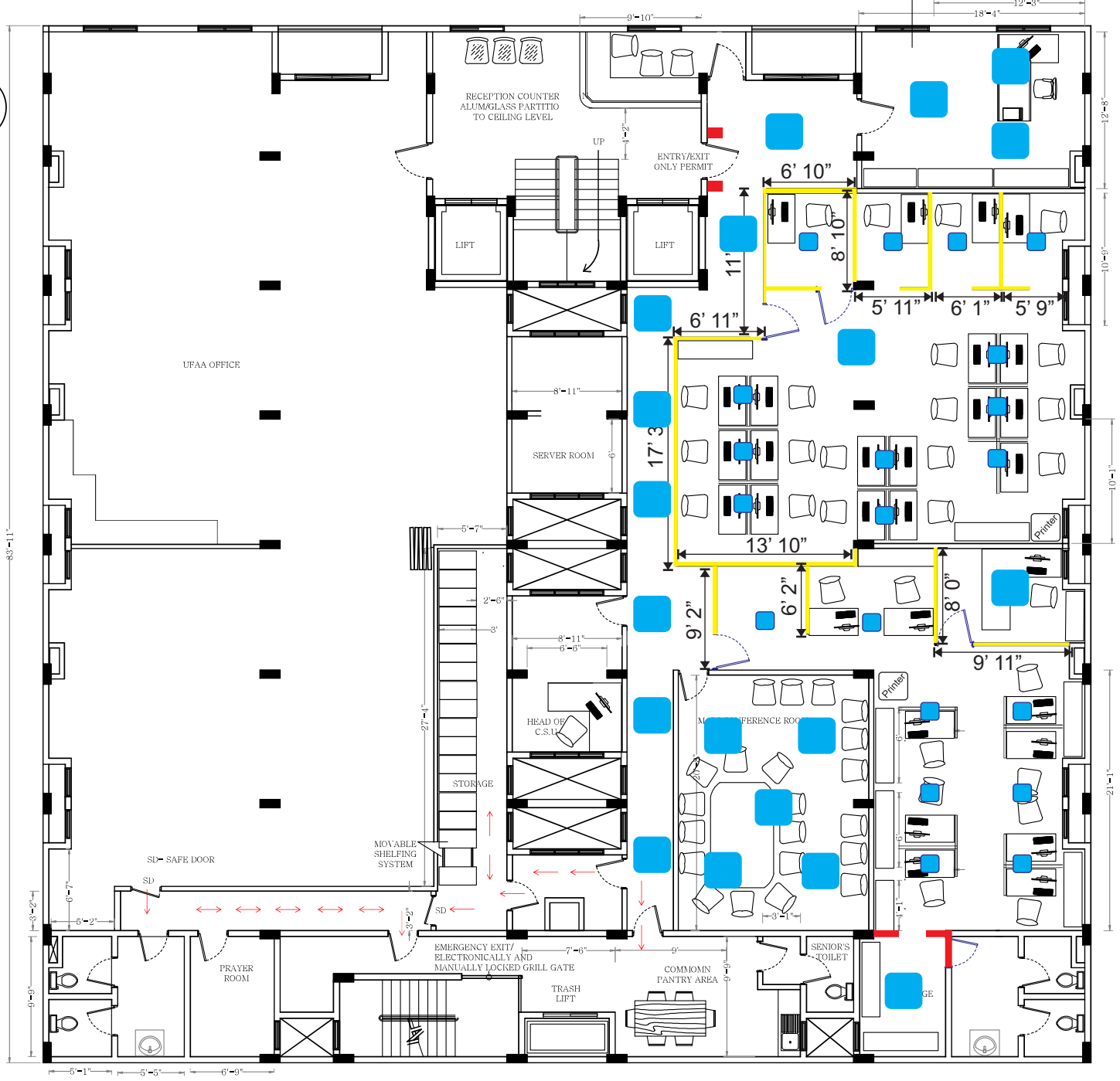
- New partitions
- Demolitions needed
- New door instalations

EDHURUHIYA NINTH FLOOR OFFICE PLAN. NOT TO SCALE.



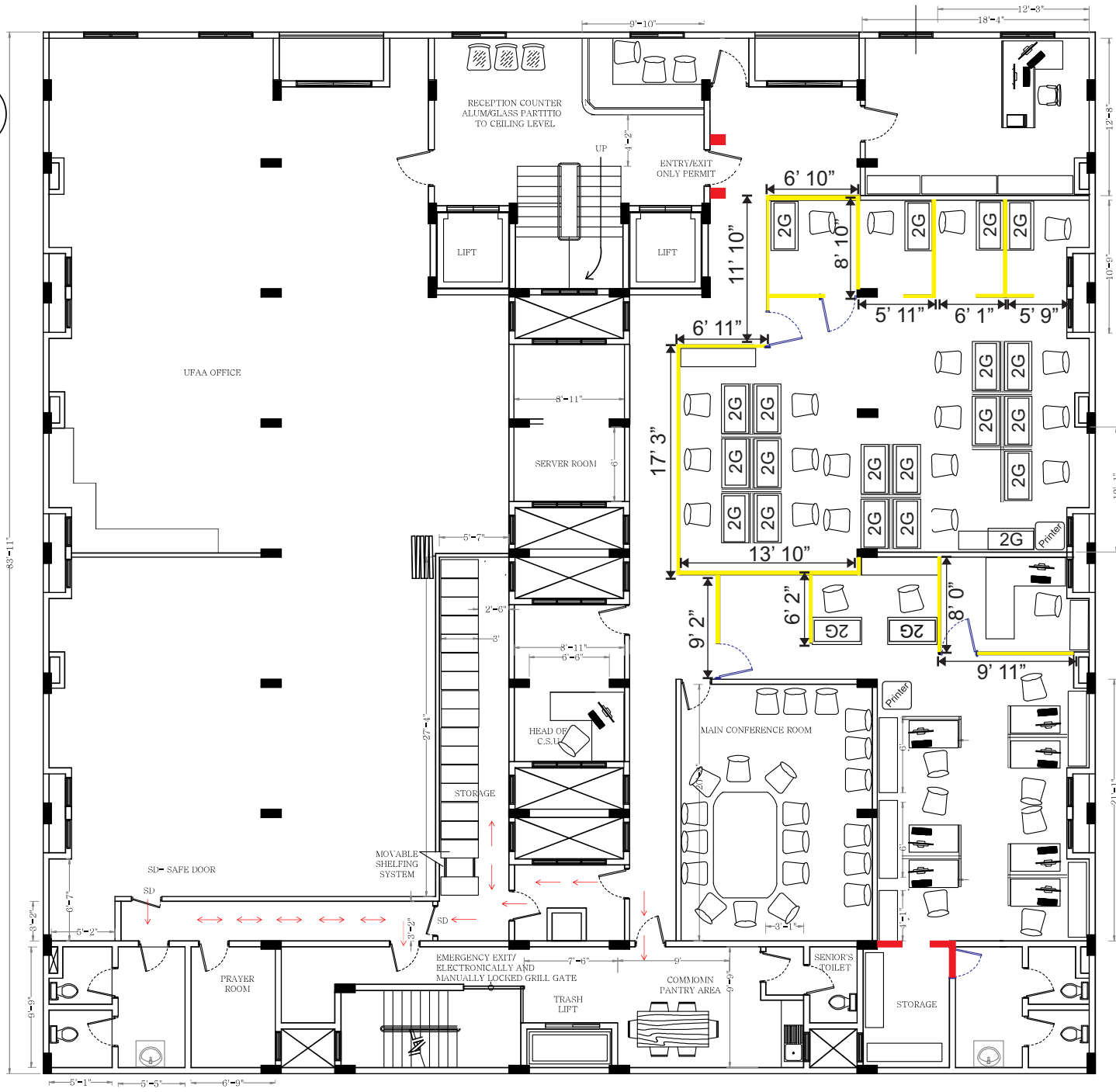
 Area needed to replace the ceiling

EDHURUHIYA NINTH FLOOR OFFICE PLAN. NOT TO SCALE.



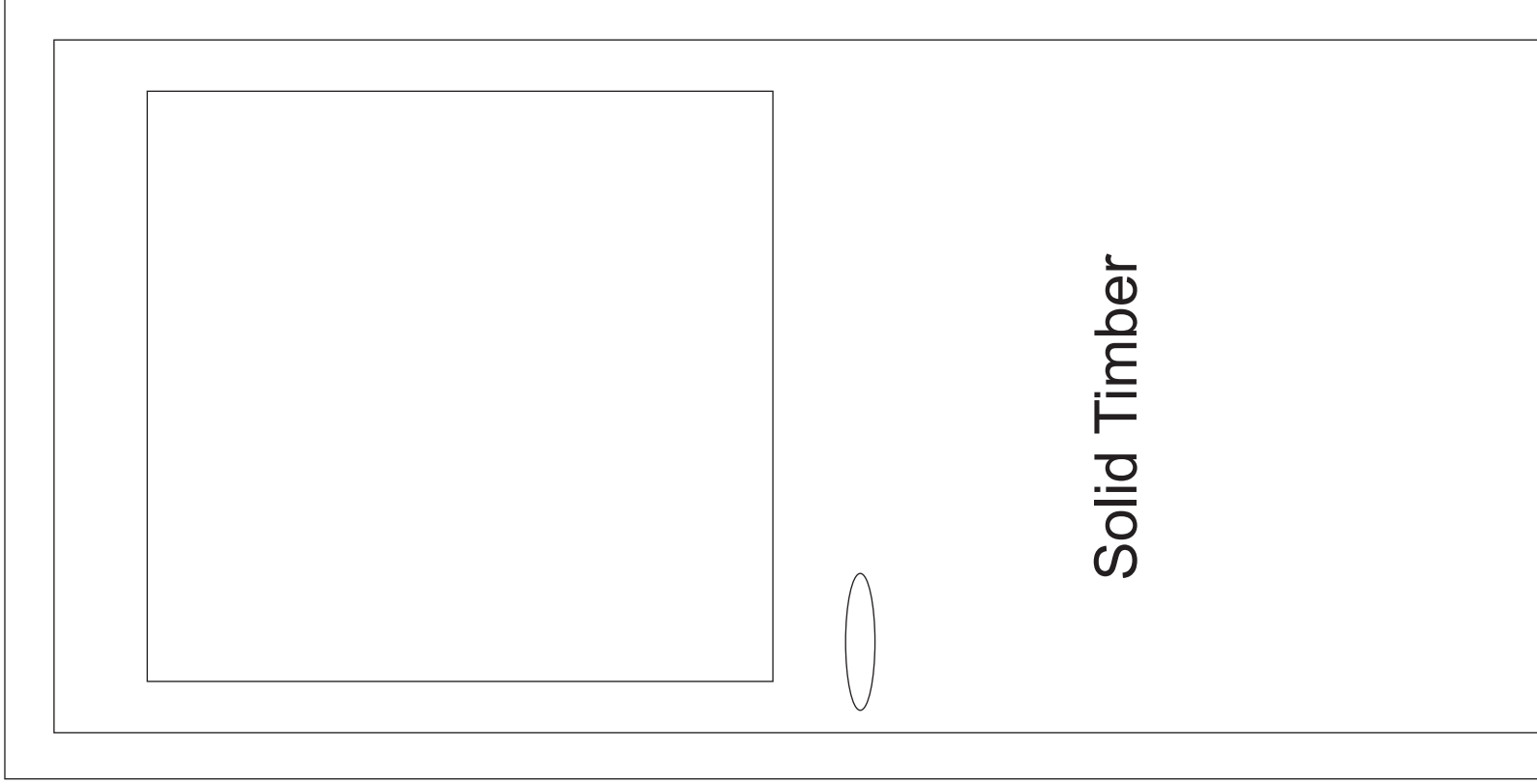
- 600mm X600mm LED light
- 300mm X300mm LED light

EDHURUHIYA NINTH FLOOR OFFICE PLAN. NOT TO SCALE.



2G New 2 gang sockets

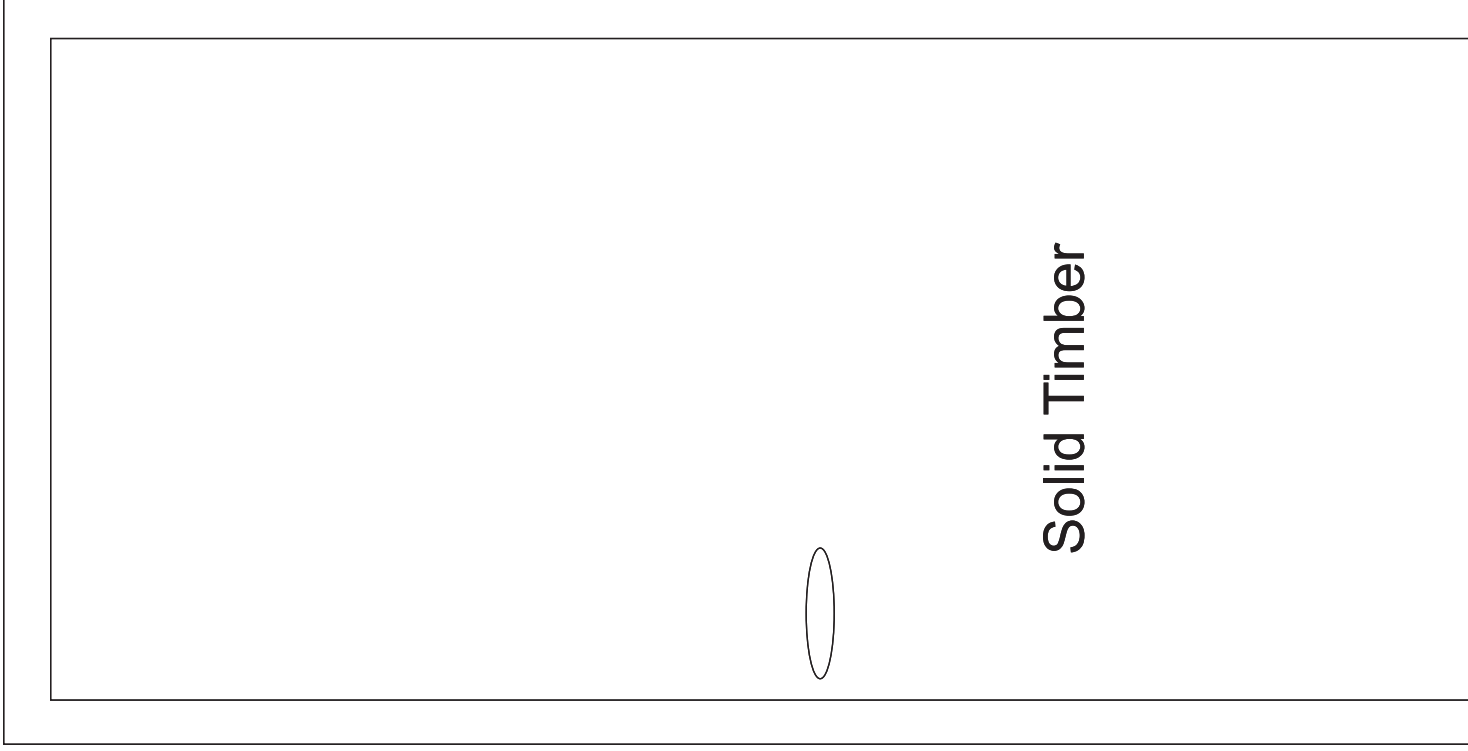
EDHURUHIYA NINTH FLOOR OFFICE PLAN. NOT TO SCALE.



Solid Timber

D1

All timber doors shall be 40mm thick solid timber paneled door and 120mm timber frames made with red Marantie timber with varnish / Paint finish.



D2

All timber doors shall be 40mm thick solid timber paneled door and 120mm timber frames made with red Marantie timber with varnish / Paint finish.

Clear Glass

4 feet

2 feet

Frost Sticker

White Aluminium

White Glass

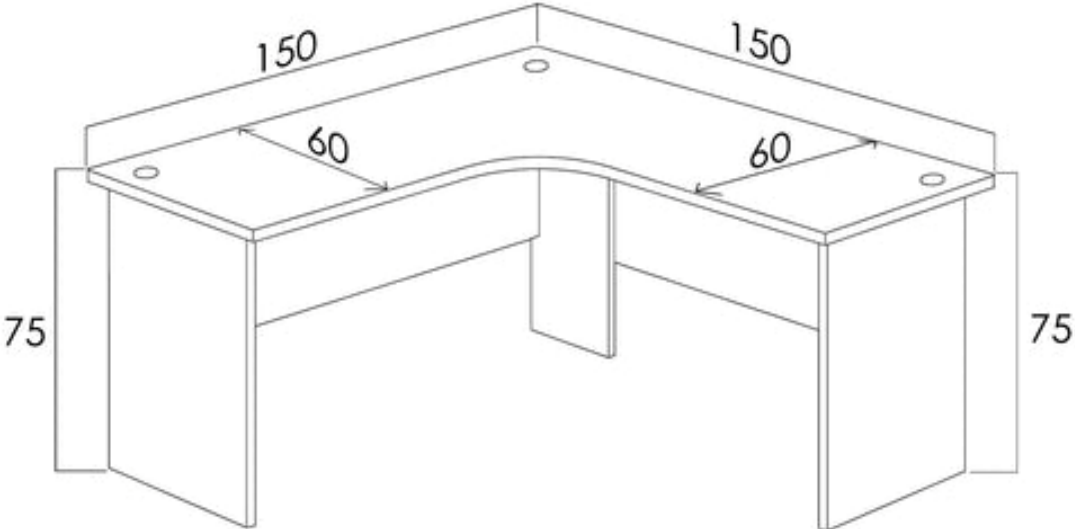
4 feet

4 feet

Partition

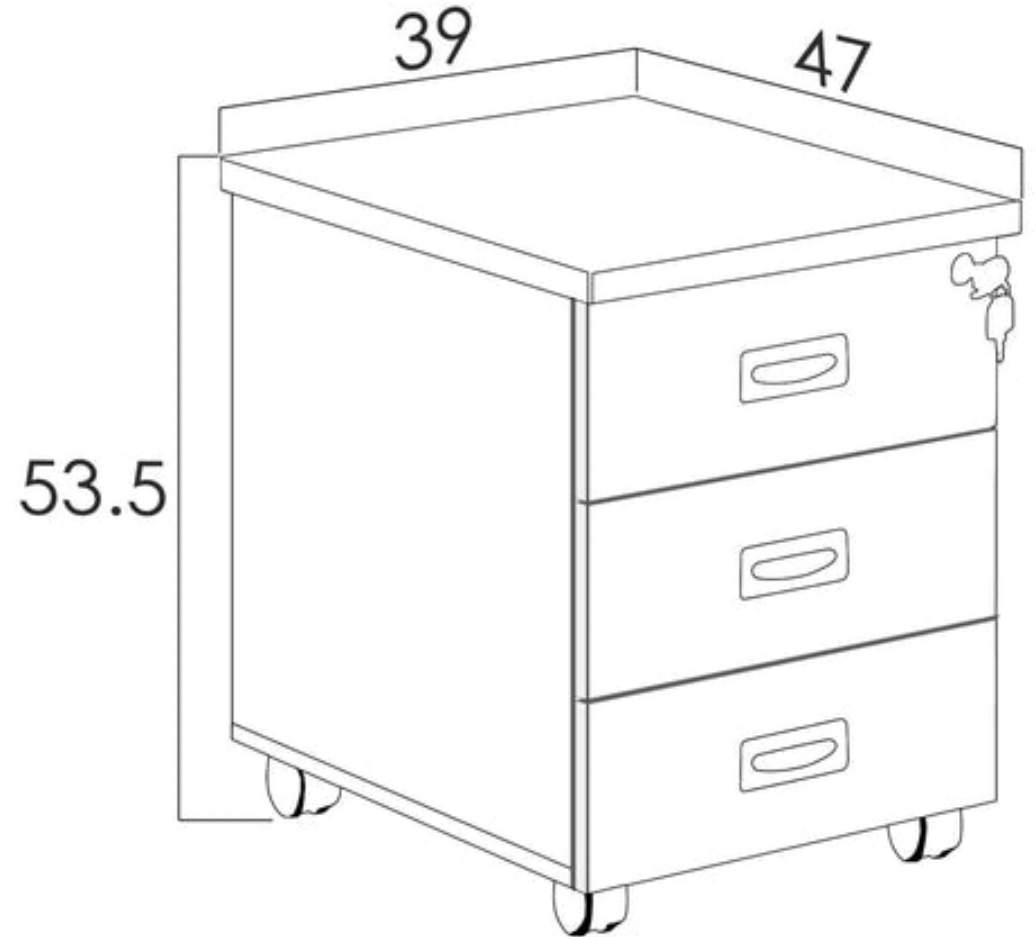
Compact Table

Unit: cm



Pedestal

Unit: cm



High back chair

