

Backdrop Panel

COURT ROOM BACK PANELS DETAILS

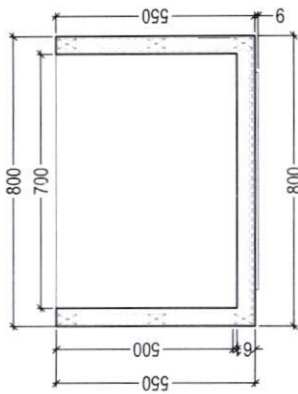
AR
2 5
SCALE

SECTION - A

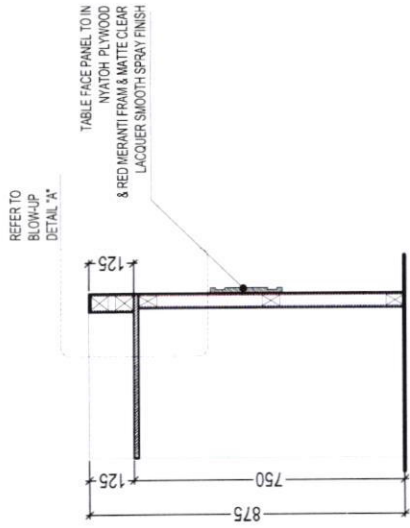
FRONT ELEVATION

- 2065 MM RED MERANTI TIMBER STRIP
- 15425 MM RED MERANTI TIMBER STRIP
- 1000 MM RED MERANTI TIMBER STRIP
- FACE PANEL TO BE IN NYLON / VENEER
PLYWOOD AND MATTE CLEAR LACQUER
SMOOTH SPRAY FINISH
- 1000 MM RED MERANTI TIMBER STRIP
- 15425 MM RED MERANTI TIMBER STRIP
- 2065 MM RED MERANTI TIMBER STRIP
- 15425 MM RED MERANTI TIMBER STRIP
- 10333 MM RED MERANTI TIMBER STRIP
- 15 MM RED MERANTI TIMBER STRIP
- 15425 MM RED MERANTI TIMBER STRIP
- 10x15 MM RED MERANTI TIMBER STRIP
- ALL STRIP ARE MATTE CLEAR
LACQUER
SMOOTH SPRAY FINISH
- 3 MM THICK NYLON / VENEER
PLYWOOD IN SELECTED MATTE
CLEAR LACQUER SPRAY FINISH
- 3 MM THICK ORDINARY
PLYWOOD AS BACK SUPPORT PANEL
- 5750 MM STANDER HARDWOOD FRAMEWORK
- 10x15 MM RED MERANTI TIMBER STRIP
- 15425 MM RED MERANTI TIMBER STRIP
- 10x15 MM RED MERANTI TIMBER STRIP
- 1000 MM RED MERANTI TIMBER STRIP
- 15425 MM RED MERANTI TIMBER STRIP
- 2065 MM RED MERANTI TIMBER STRIP

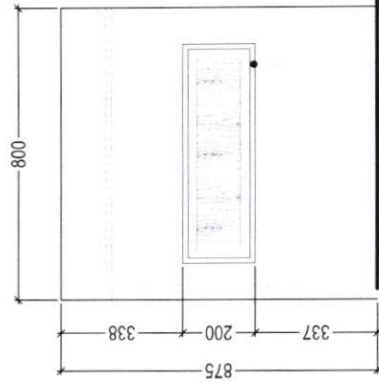
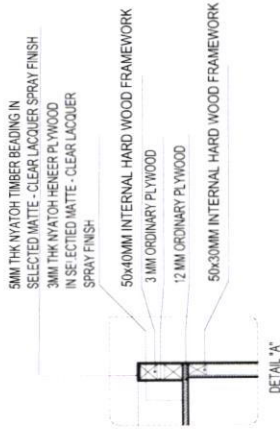




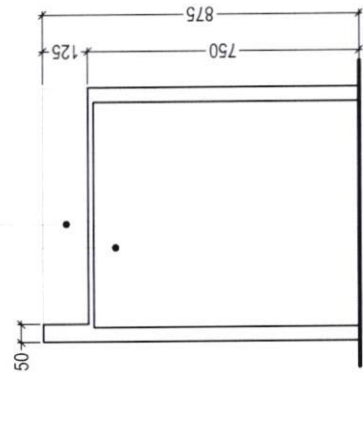
PLAN VIEW



SECTION



FRONT ELEVATION



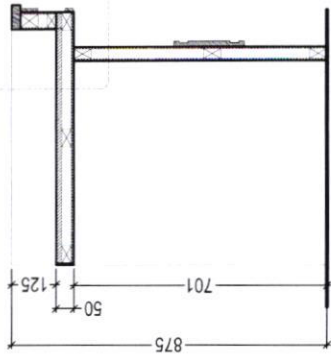
REAR ELEVATION

NOTE:
 ALL TIMBERS WHICH ARE USED FOR THE STANDARD EXTERNAL FRAMEWORK TO BE APPLIED WITH SOLIGNUM TIMBER TREATMENT CHEMICAL OR EQUIVALENT, 24 HOURS BEFORE USING ON THE FRAMEWORK.
 ALL SIDES TO BE FINISHED WITH NATURAL VENEER OF THE SAME WOOD USED ON THE RESPECTIVE PART OF THE FURNITURE.

REGISTRARS'/LAWYER'S/DEFENDANTS' TABLE
TABLE DETAILS



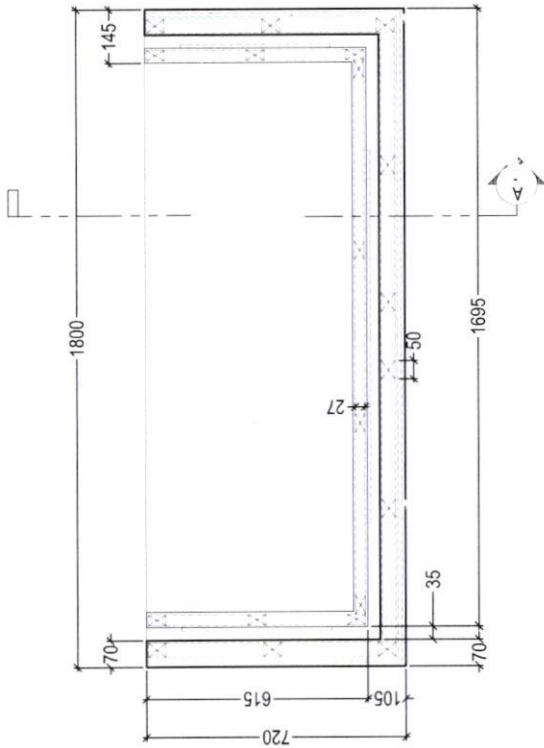
REFER TO BLOW-UP DETAIL 'C'



SECTION

- 70 X 25 MM RED MERANTI TIMBER STRIP IN SELECTED MATTE - CLEAR LACQUER SPRAY FINISH
- 50 X 10 MM RED MERANTI TIMBER STRIP IN SELECTED MATTE - CLEAR LACQUER SPRAY FINISH
- 50x37 INTERNAL HARD WOOD FRAMEWORK
- 12 MM ORDINARY PLYWOOD
- 25 X 10 MM RED MERANTI TIMBER STRIP IN SELECTED MATTE - CLEAR LACQUER SPRAY FINISH
- 6 MM ORDINARY PLYWOOD
- 3 MM NYATCH VENEER PLYWOOD IN SELECTED MATTE - CLEAR LACQUER SPRAY FINISH

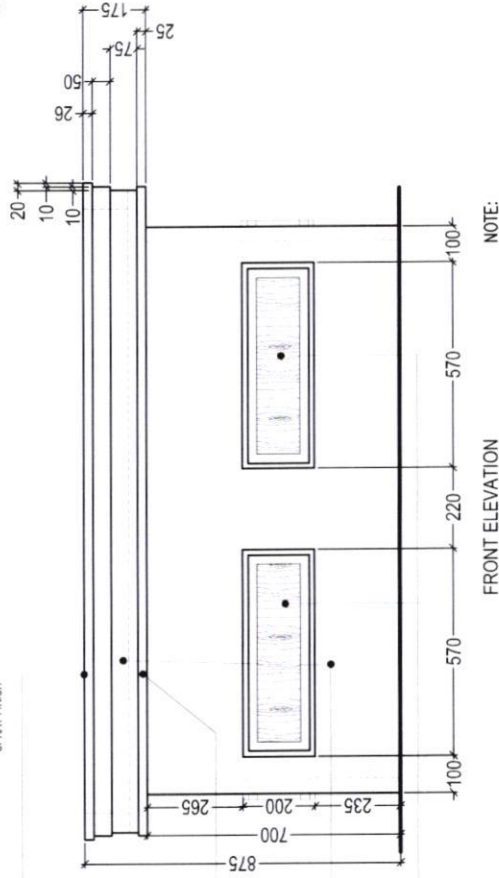
REFER TO BLOW-UP DETAIL 'C'



PLAN VIEW

70 X 25 MM RED MERANTI TIMBER STRIP IN SELECTED MATTE - CLEAR LACQUER SPRAY FINISH

50 X 10 MM RED MERANTI TIMBER STRIP IN SELECTED MATTE - CLEAR LACQUER SPRAY FINISH



FRONT ELEVATION

RIGHT SIDE ELEVATION

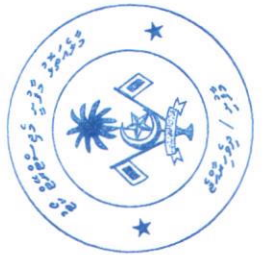
NOTE:

ALL TIMBERS WHICH ARE USED FOR THE STANDARD EXTERNAL FRAMEWORK TO BE APPLIED WITH SOLIGNUM TIMBER TREATMENT CHEMICAL OR EQUIVALENT, 24 HOURS BEFORE USING ON THE FRAMEWORK.

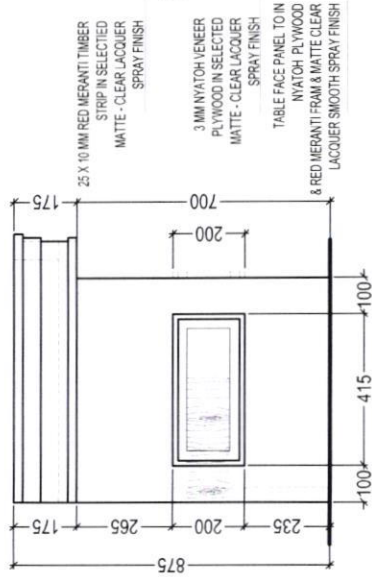
ALL SIDES TO BE FINISHED WITH NATURAL VENEER OF THE SAME WOOD USED ON THE RESPECTIVE PART OF THE FURNITURE.

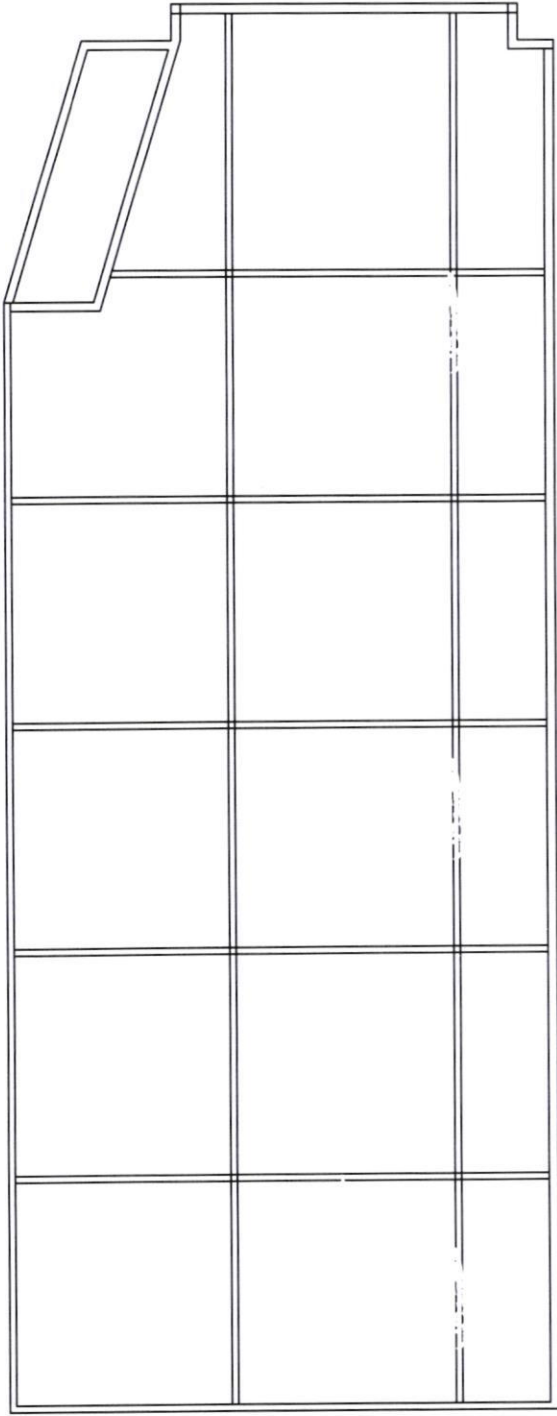
JUDGE PANEL TABLE

TABLE DETAILS



LEFT SIDE ELEVATION





Stage Frame

