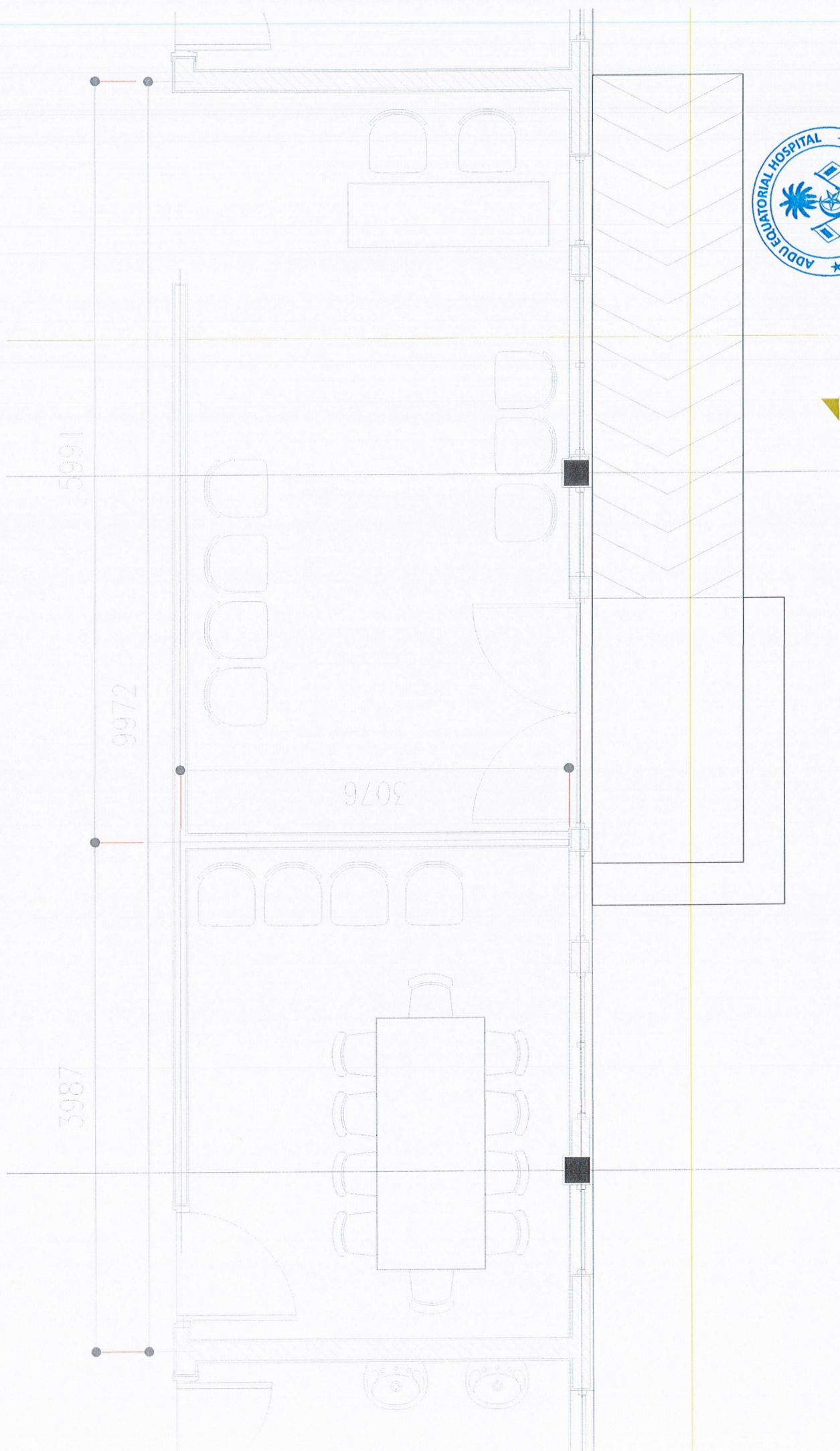
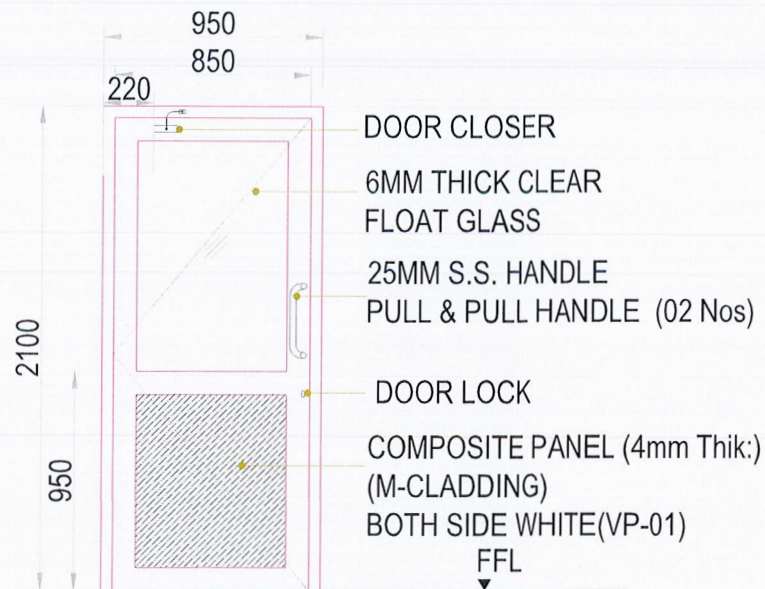


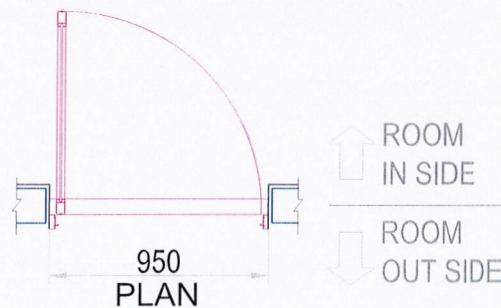
Item	Description	Unit	Quantity	Rate/ Unit		Total Unit Rate		Amount
				Material	Labour	Material	Labour	
1.0	<p>General</p> <p>Aluminum Doors , Fabricate and fix in position the aluminum door and frame - aluminum door (white powder coated, 60-80 micron, 1.5mm profile thickness) using recommended material with specified fixtures as shown in approved working drawings and installation should be as per technical specifications. Rates shall include for locks, latches, closures, , pull handles, bolts, kick plates hinges, screws, washer and all door hardware and these materials should be of ss steel according to drawing and of superior quality.</p> <p>(a) All door and frame and panel shall be as specified in the drawing</p> <p>(b) All glass should be a frosted.</p>	no	1.00					
(1)	Fabrication and installation of, Aluminum 60-80 Micron, white powder coated Door 850x2100mm as per drawing D1							
2.0	<p>Dry Wall Partition</p> <p>100mm thick dry wall partition, 50x75mm Timber Frame (600mm c/c Vertical, 120mm c/c Horizontal) with 12mm thick Gypsum Board . Rates includes to fabricate partition as per manufactures instructions as well as puttying and Anti Bacterial and Washable Paint on both side and etc .</p>	ft ²	351.00					
(1)	Partition Wall up to the ceiling							







ELEVATION-PARTITION IN SIDE



D1	DOUBLE COMPOSITE BOARD DOOR ON ALUMINUM FRAME (SINGLE SWING)
QTY - 01 No	
LOCATION	MEETING ROOM
FRAME FINISH	WHITE POWDER COATED ALUMINUM (60 Microns)
SASH FINISH	WHITE POWDER COATED ALUMINUM FRAME COMPOSITE PANEL WHITE COLOUR (CB)
HARDWARE	1)HINGES 102 X 76 X 3 MM B/BEARING = 03 Nos. 2)DOOR CLOSER = 01 Nos (FIX DOOR BACK SIDE) 3)PULL & PULL HANDLE = 02 Nos (IN & BACK SIDE) 4)DEAD LOCK WITH KEY & KEY CYLINDER