

PROJECT: PROPOSED PMU INTERIOR LAYOUT

LOCATION: ROASHANEE BUILDING, GROUND FLOOR
MINISTRY OF HEALTH, MALE'

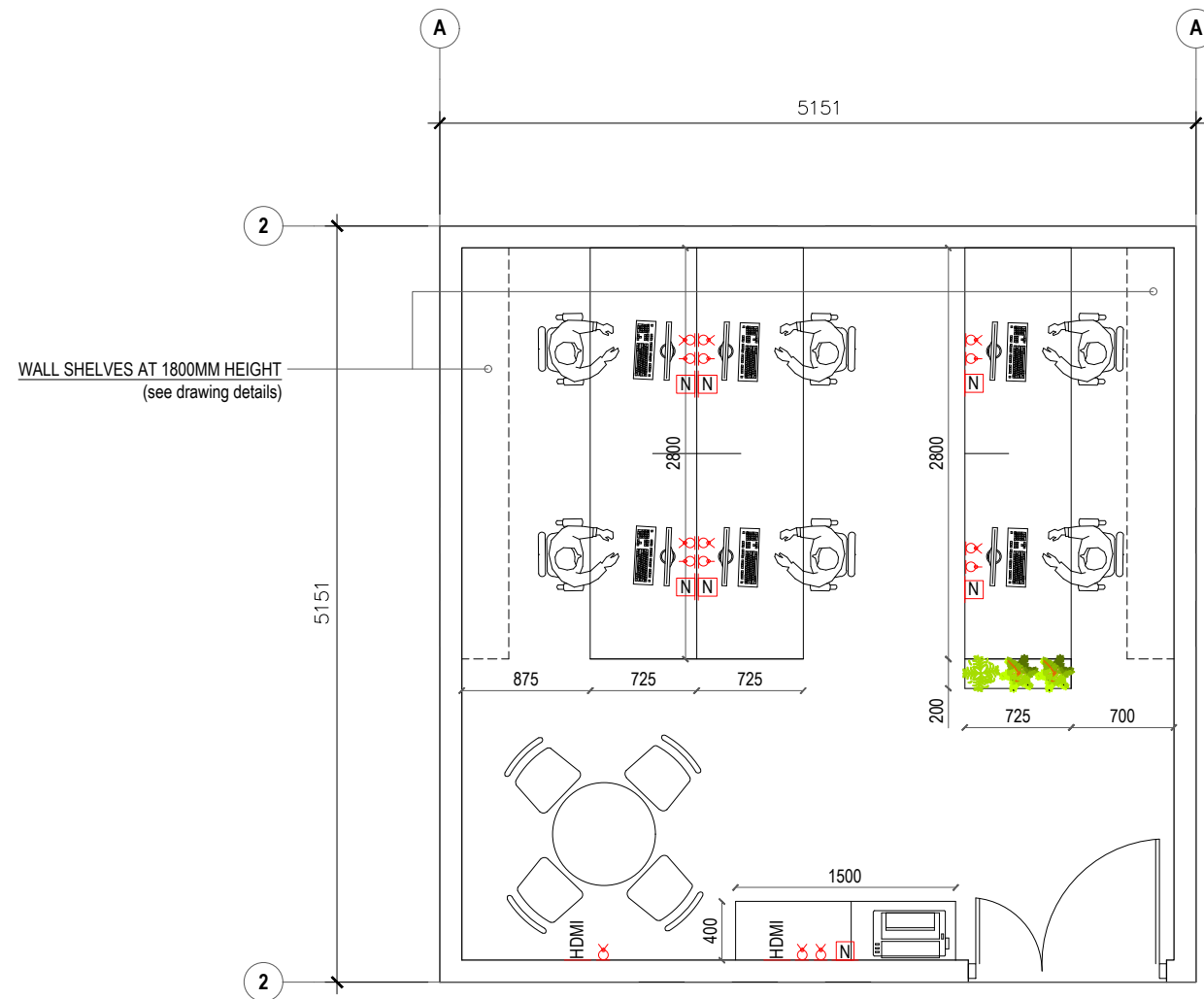
ANNEX 1: Works Requirements
Specifications



MINISTRY OF HEALTH

Roshanee Building, Sosun Magu'





Email: projects@health.gov.mv | Tel: +(960)332-8887, Fax: +(960)332-8889



PMU OFFICE LAYOUT

SCALE: 1:50

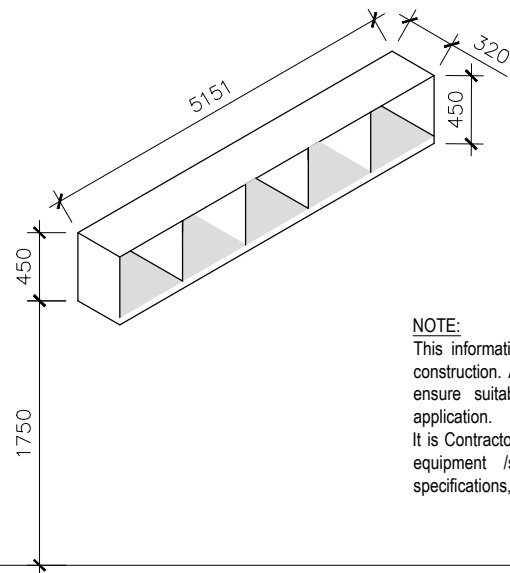
ELECTRICAL LEGEND

-  P-01 13A SWITCHED TWIN SOCKET, 300MM FFL
-  P-02 13A SWITCHED SINGLE SOCKET, 300MM FFL
-  P-03 HDMI SINGLE SOCKET, 300MM FFL
-  P-04 RJ45 TWIN SOCKET, 300MM FFL

GENERAL NOTE:

- All dimensions shall be verified on site before proceeding with work.
- In case of any confusion in the structural elements, the measurements given in the structural drawings has to be followed.
- DO NOT SCALE DRAWINGS. Work to figured dimensions.
- All the dimensions given in mm, unless specified otherwise.

REVISIONS		
NO.	DESCRIPTION	DATE



TYPICAL WALL SHELVES

SCALE: 1:50



ROUND MEETING TABLE



WORKSTATIONS

PROJECT NAME:
PMU OFFICE LAYOUT

LOCATION:

DISCIPLINE:

- CONCEPTUAL DESIGN
- DETAILED DESIGN
- CONSTRUCTION DRAWING
- AS-BUILD DRAWING
- SPECIFY.....

DRAWN BY: ISMAIL	CHECKED BY: -	APPROVED BY: -
---------------------	------------------	-------------------

SCALE: 1:50	DATE: Feb 22	SHEET SIZE: A3
----------------	-----------------	-------------------

DRAWING NO. A-1.01	REV: 0.00
------------------------------	---------------------

CLIENT:



MINISTRY OF HEALTH
Roshanee Building, Soom Magu'
Email: projects@health.gov.mv | Tel: +960332-8887, Fax: +960332-8889