



**Ministry of Education**  
Republic of Maldives

**Procurement of Custom Made Furniture (EEDP/G.31)**

Announcement No: (IUL) 22-E/1/2017/373

**INFORMATION FOR BIDDERS**

The Ministry of Education now invites sealed quotations from eligible bidders for custom made furniture as per specifications given in RFQ document.

**EVALUATION CRITERIA:**

- The evaluation criteria is as follows:

Details	Points
Warranty 3 Months – Compulsory for all bidders	Compulsory
Price	50
Duration	30
RFQ document submitted	5
Company Profile: <ul style="list-style-type: none"> <li><u>Company Profile: (4 Points Total)</u> <ul style="list-style-type: none"> <li>*Company Registration</li> <li>*GST Registration</li> <li>*Pension Registration*</li> <li>*Company Profile</li> </ul> </li> <li><u>Financials: (5 Points Total)</u> <ul style="list-style-type: none"> <li>*Latest Financial Statements – 3 Marks AND</li> <li>*Latest Bank Statement dated no earlier than 30 days prior to quotation submission date – 2 marks</li> </ul> </li> <li><u>Experience (Maximum 3): 6 Points Total</u> <ul style="list-style-type: none"> <li>*Supplied furniture similar to requirement in past 3 years (Maximum 3) - 2 Points each</li> <li>*Other projects of related nature to requirement in the last 3 years (Maximum 3) – 1 Point each</li> <li>-Please provide purchase orders/contracts and completion letters/certificates.</li> </ul> </li> </ul>	15

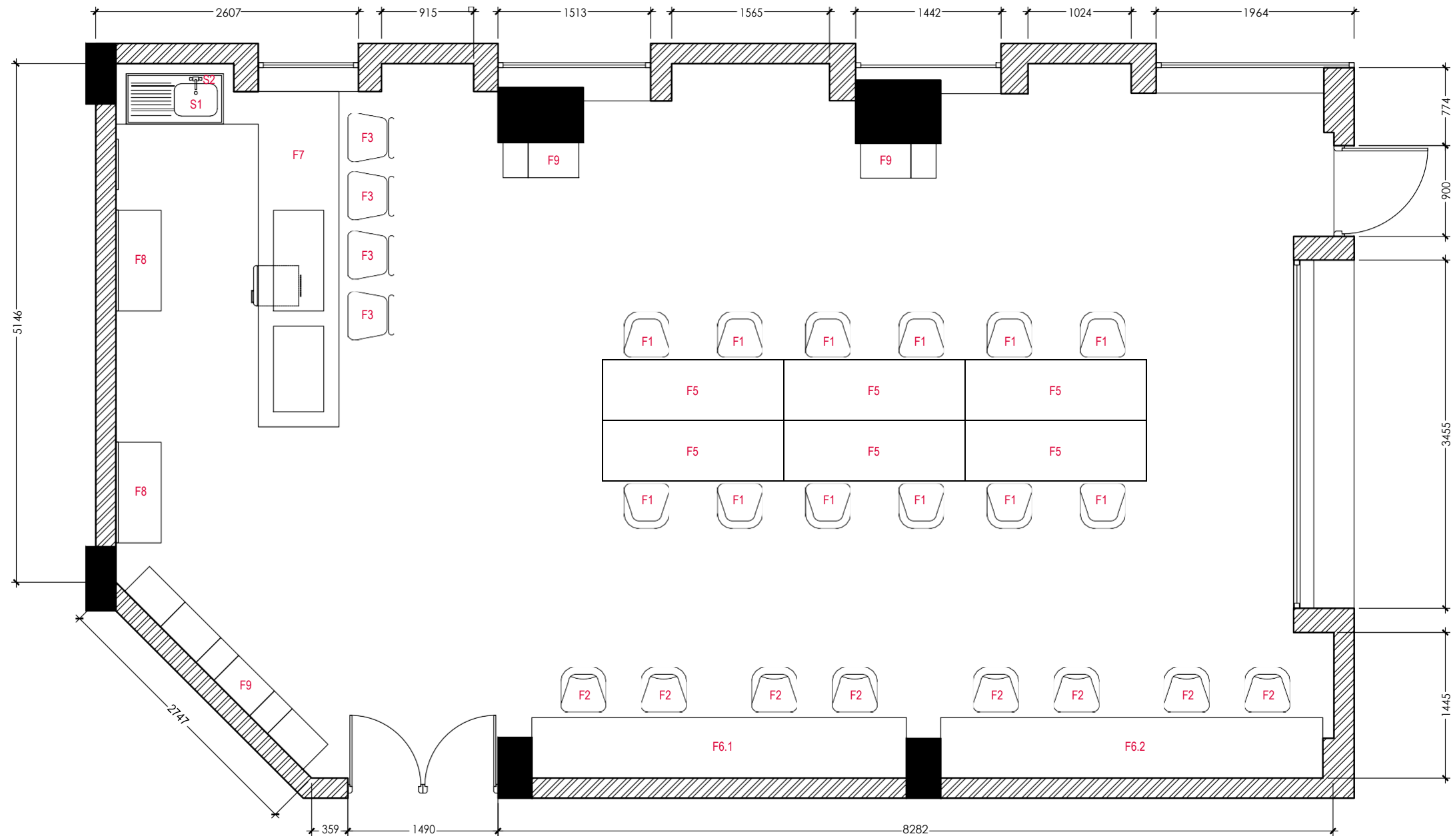
**Important Information to be noted:**

- Kindly adhere to all terms given in Section A and Section B of the RFQ document.
- Please make sure to complete and submit the RFQ document. The quote will not be accepted without this document.
- All prices are to be **DDP to final location**.
- \*Pension Registration: The document from Maldives Pension Administration Office stating that the vendor is contributing regularly/does not have to contribute to Maldives Retirement Pension Scheme must be submitted if the vendor does/do not contribute to pension.

**QUOTATION SUBMISSION:**

- Quotation submission is on 29<sup>th</sup> November 2017, Thursday at 13:00 hours in Coordination Support Unit, Ground Floor, Ghaazee Building, Male’.

22<sup>nd</sup> November 2017



**PROPOSED FURNITURE PLAN**

SCALE 1:50  
 0 0.25 0.5 1 1.5 2 2.5

**MALDIVES POLYTECHNIC**  
 Client: Ministry of Education  
 Project Number: RI/2017/012  
 Date: September 2017

Rev no	Date
01	29-10-2017

Architect : Razana Amir  
 Engineer : Aishath Mohammed Rasheed  
 Drawn by : Aishath Ahmed  
 Services : Aishath Ahmed  
 Interior : Razana Amir



**RYAN PRIVATE LIMITED**

t : +960315049 f : +9603310776  
 e : info@ryan.com.mv  
 w : www.ryan.com.mv  
 3rd floor, H. Azum, Ameenemagu, Male'

Title: PROPOSED FURNITURE PLAN

Page: A-11/14



**NAME: F5 TABLE**  
**QUANTITY: 06**

**DIMENSION:**  
600mm [WIDTH]  
1800mm [LENGTH]  
750mm [HEIGHT]  
**REFER TO DETAIL F5**

**FINISH:** REUSED WOODEN PALETTE TOP WITH  
SS FRAME



**NAME: F6.1 & F6.2 TABLE**  
**QUANTITY: 01 EACH**

**DIMENSION:**  
600mm [WIDTH]  
3716 & 3791mm [LENGTH]  
750mm [HEIGHT]  
**REFER TO DETAIL F6**

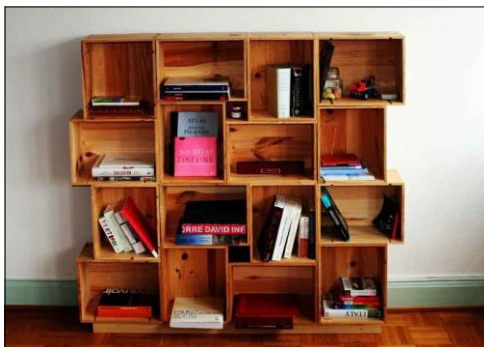
**FINISH:** REUSED WOODEN PALETTE TOP WITH  
SS FRAME



**NAME: F7 KITCHEN TABLE**  
**QUANTITY: 01**

**DIMENSION:**  
850mm [HEIGHT]  
**REFER TO DETAIL F7**

**FINISH:** TIMBER PANEL KITCHEN CUPBOARD WITH  
REUSED WOODEN PALETTE ON SIDES &  
GRANITE COUNTERTOP



**NAME: F9 DIY BOOK SHELF**

**DIMENSION:** TO MANUFACTURER'S / AVAILABLE SIZE

**FINISH:** REUSED WOODEN PALETTE STORAGE BOX

## FURNITURE SCHEDULE

Rev no	Date
01	29-10-2017

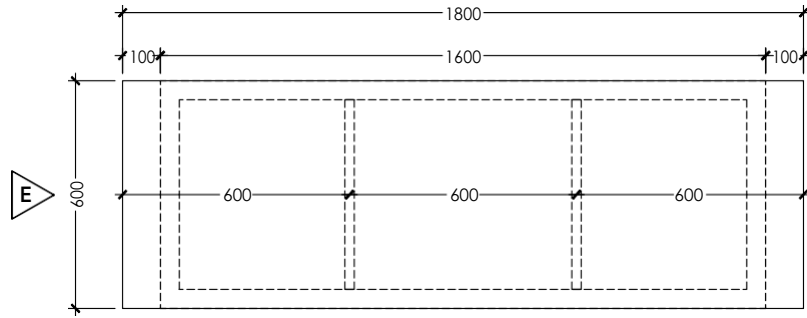
**MALDIVES POLYTECHNIC**  
Client: Ministry of Education  
Project Number: RI/2017/012  
Date: September 2017  
Architect : Razana Amir  
Engineer : Aishath Mohammed Rasheed  
Services : Aishath Ahmed  
Interior : Razana Amir



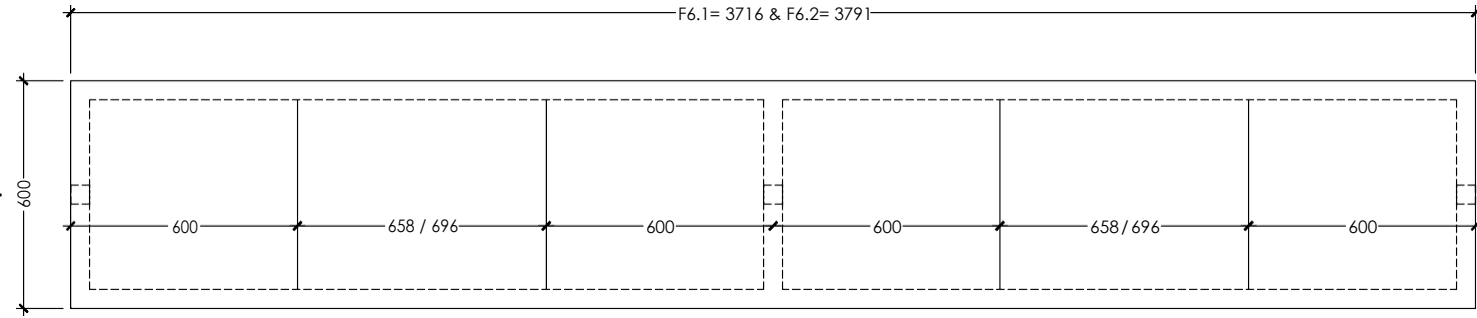
**RIYAN PRIVATE LIMITED**

t : +9603315049 f : +9603310776  
e : info@riyan.com.mv  
w : www.riyan.com.mv  
3rd floor, H. Azum, Ameenemagu, Male'

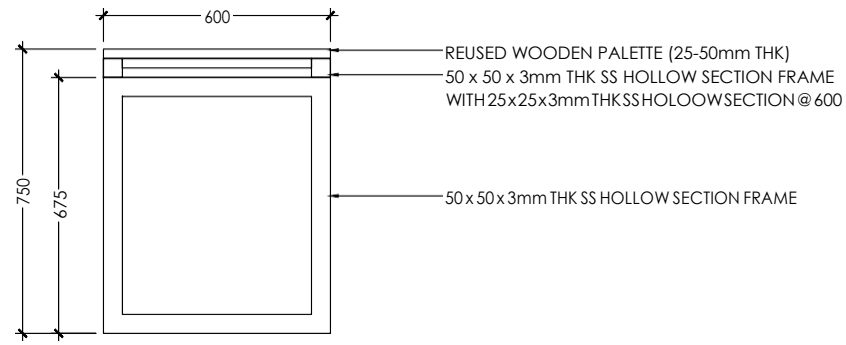
Title: FURNITURE & SANIT  
SCHEDULE



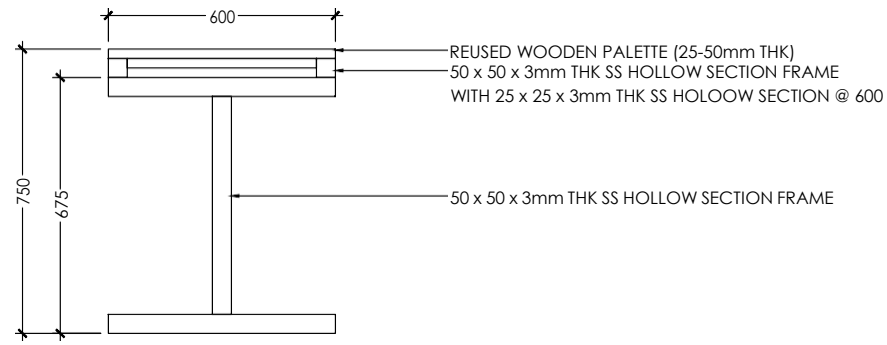
**PLAN**



**ELEVATION**



**ELEVATION**



**ELEVATION**



**ISOMETRIC VIEW**



**ISOMETRIC VIEW**

**F5 TABLE DETAILS**

SCALE 1:20



**F6.1 & F6.2 TABLE DETAILS**

SCALE 1:20



Rev no	Date
01	29-10-2017
..	..
..	..

Architect : Razana Amir  
 Engineer : Aishath Mohammed Rasheed  
 Drawn by : Aishath Ahmed  
 Services : Aishath Ahmed  
 Interior : Razana Amir

**MALDIVES POLYTECHNIC**  
 Client: Ministry of Education  
 Project Number: RV/2017/012  
 Date: September 2017



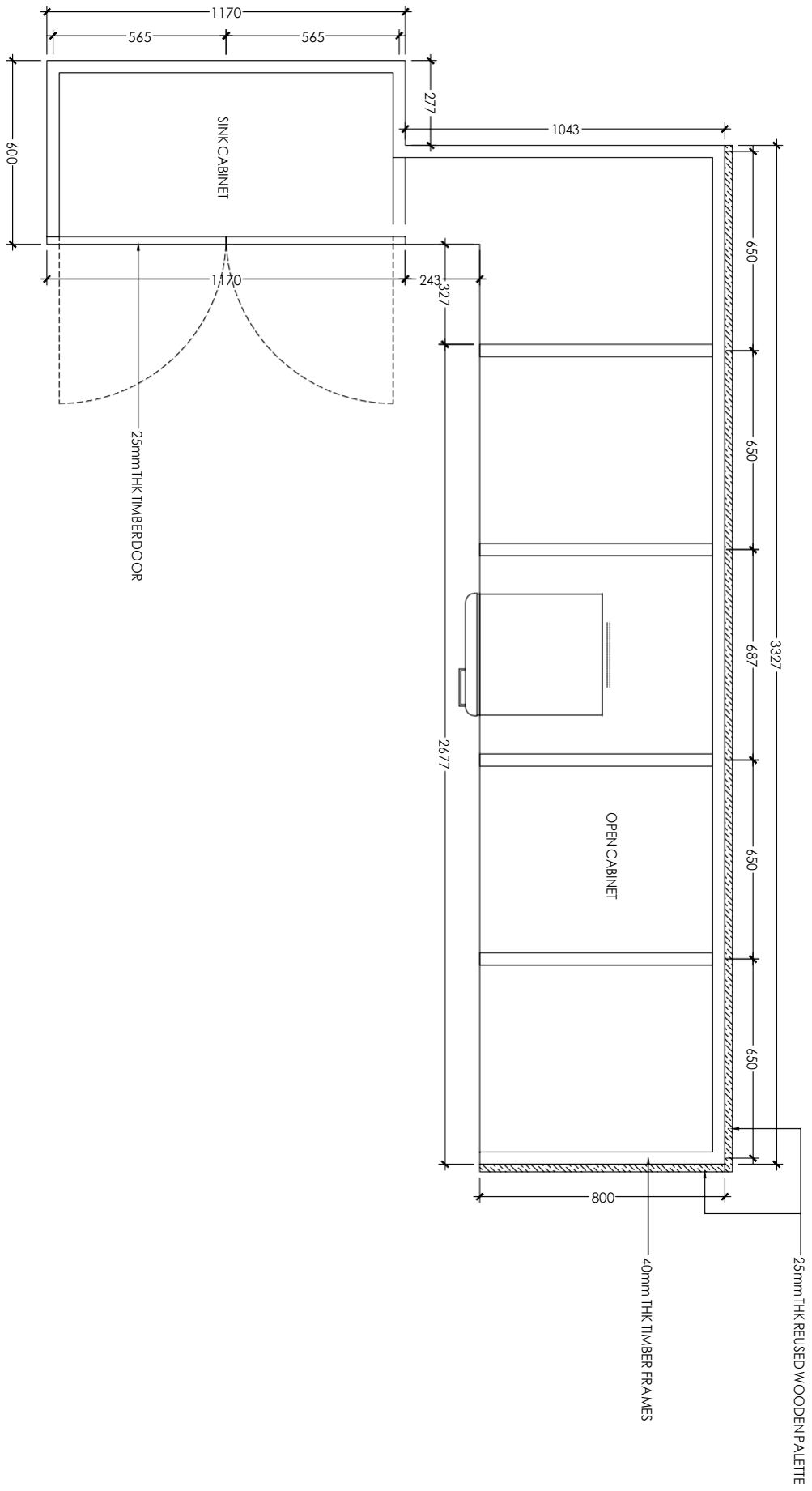
**RYAN PRIVATE LIMITED**

t: +9603315049 f: +9603310776  
 e: info@ryan.com.mv  
 w: www.ryan.com.mv  
 3rd floor, H. Azum, Ameenmeenogoo, Male'

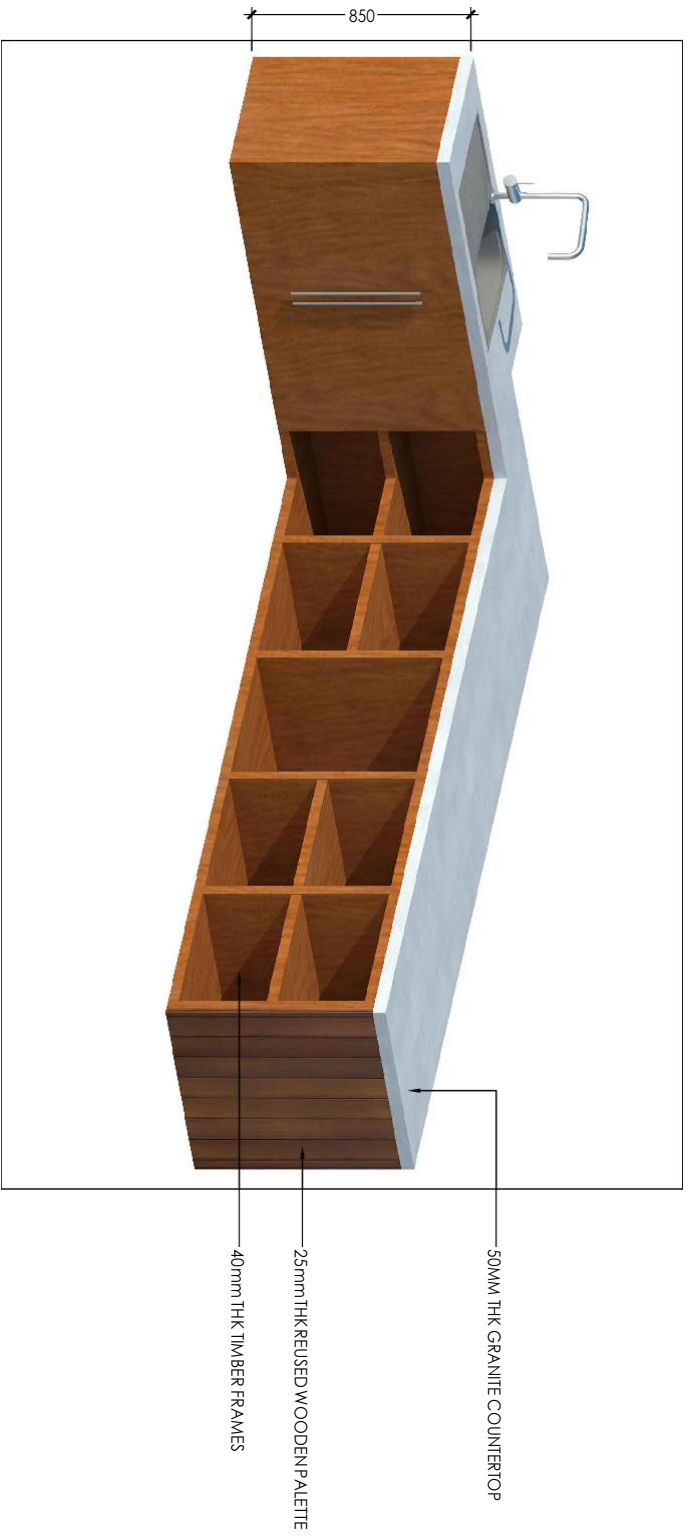
Title: F5, F6.1 & F6.2 TABLE DETAILS

Page: A-13/14

The contents of these drawings remain as a property of RYAN PRIVATE LIMITED. Any use other than those expressly stated is a violation of this copyright.



**PLAN**



**F7 KITCHEN TABLE DETAIL**  
SCALE 1:20



50MM THK GRANITE COUNTERTOP  
25mm THK REUSED WOODEN PALETTE  
40mm THK TIMBER FRAMES

**MALDIVES POLYTECHNIC**  
Client: Ministry of Education  
Project Number: RI/2017/012  
Date: September 2017

Architect : Razana Amir  
Engineer :  
Drawn by : Aishath Mohammed Rasheed  
Services : Aishath Ahmed  
Interior : Razana Amir

Rev no	Date
01	29-10-2017
--	-----
--	-----
--	-----



**RYAN PRIVATE LIMITED**

T: +96033192494 / +96033310716

M: +96033310716

E: info@ryan.com.mv

3rd Floor, H. Azim, Arinveeremiyalu, Malé

Title: F7 DETAILS

Page: A-14/14