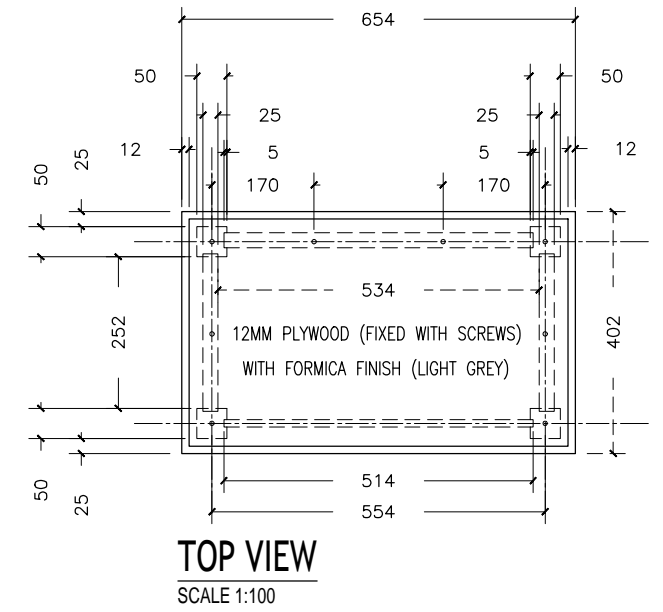
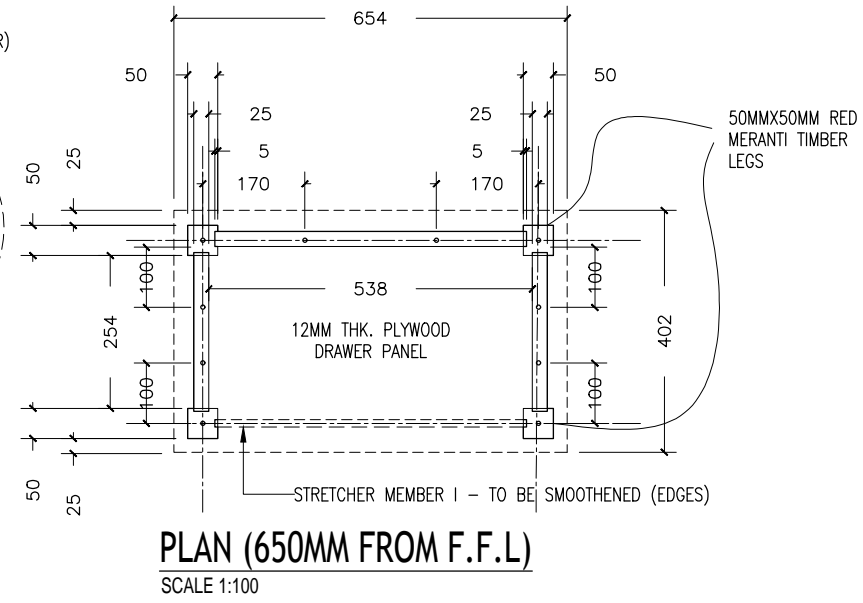
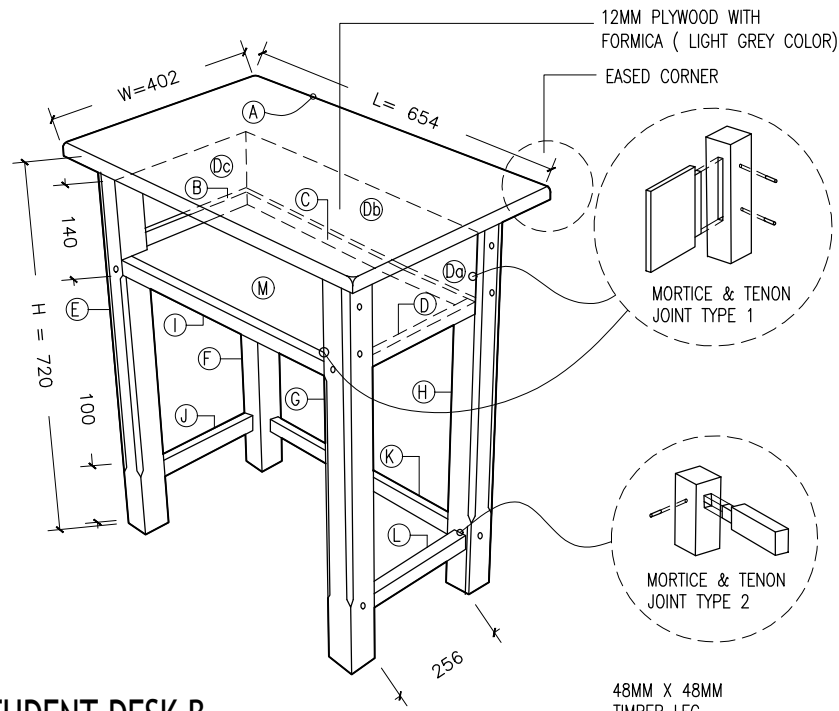


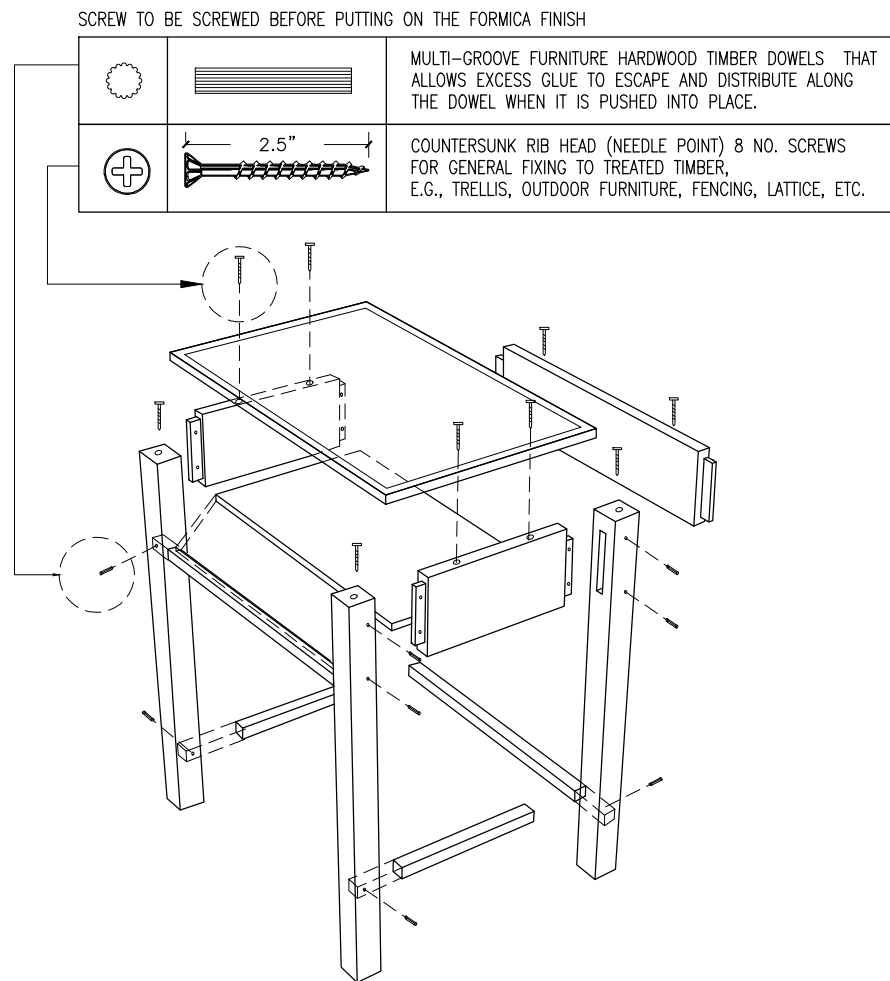
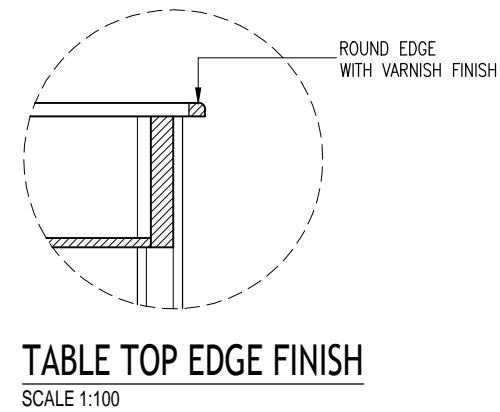
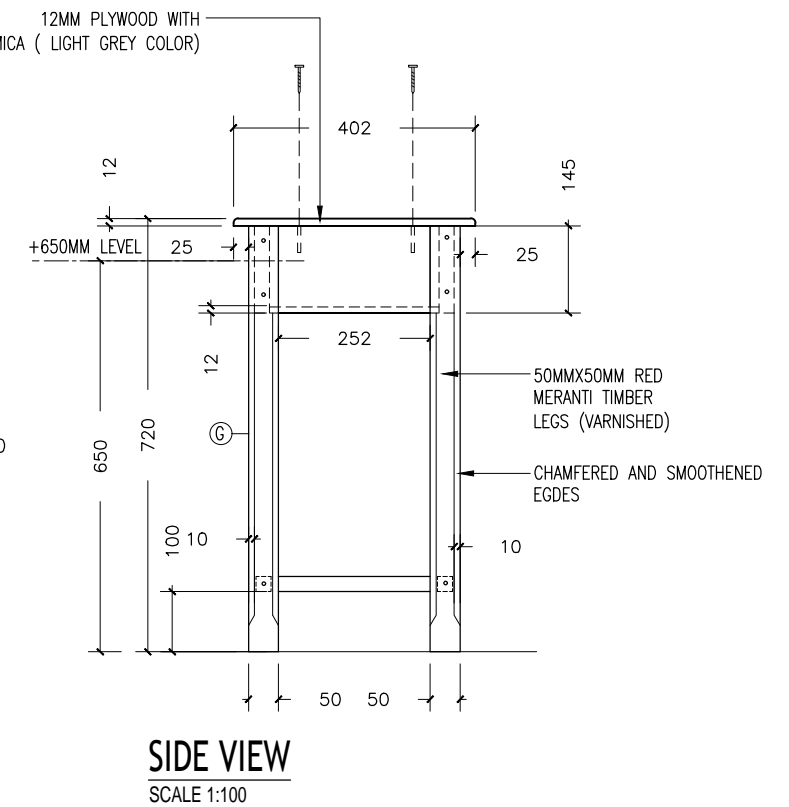
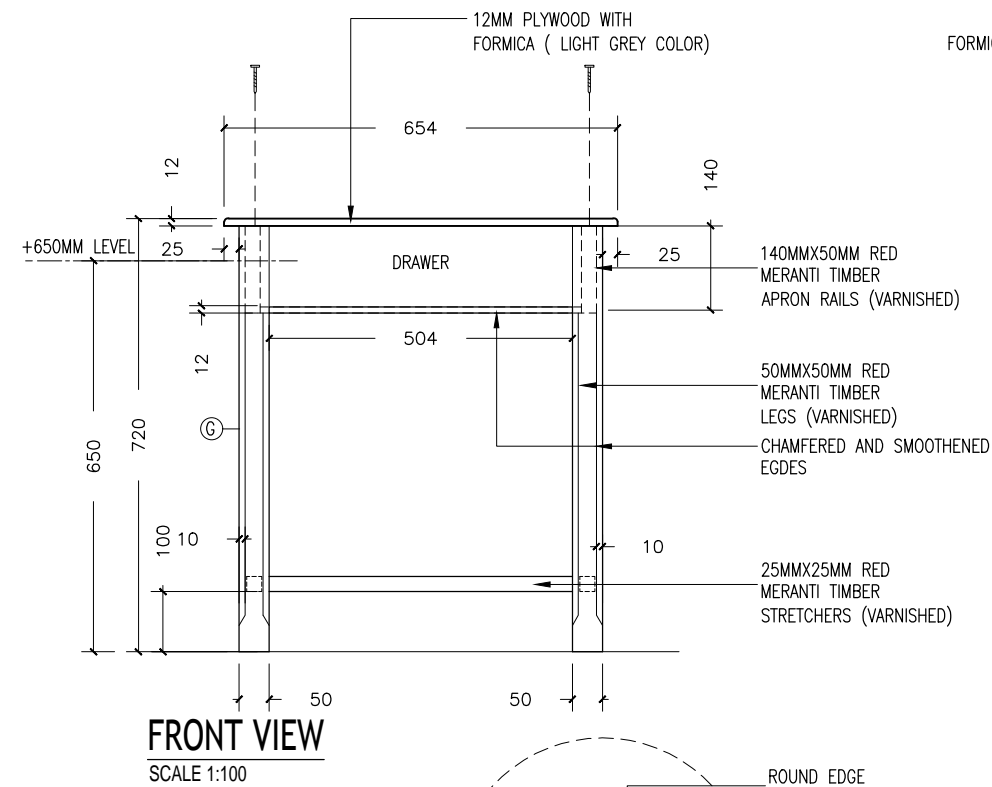


1. Total height = 795mm to 805mm
2. Width = 440mm to 455mm
3. Seating height = 420mm to 435mm
4. Seating width = 380mm to 390mm

MEMBER CODE (ALPHABETS)
A (table top)
B (Apron rail)
C (Apron rail)
D (Apron rail)
Da (apron)
Db (apron)
Dc (apron)
E (Leg member)
F (Leg member)
G (Leg member)
H (Leg member)
I (Apron rail)
J (Stretcher)
K (Stretcher)
L (Stretcher)
M (Drawer top)
Table top



PERSPECTIVE VIEW OF STUDENT DESK B
SCALE 1:100

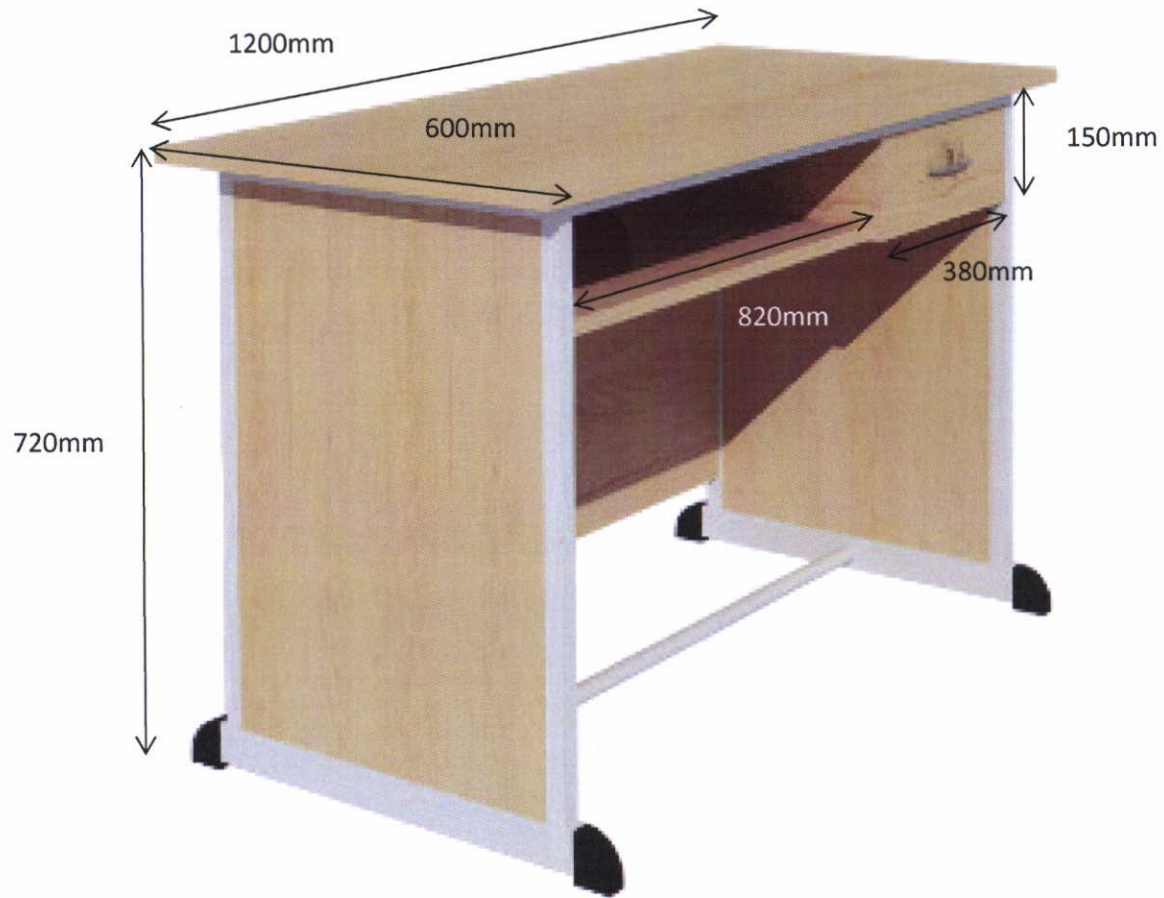


EXPLODED VIEW OF STUDENT DESK B - SCREW AND DOWEL PLAN
SCALE 1:100

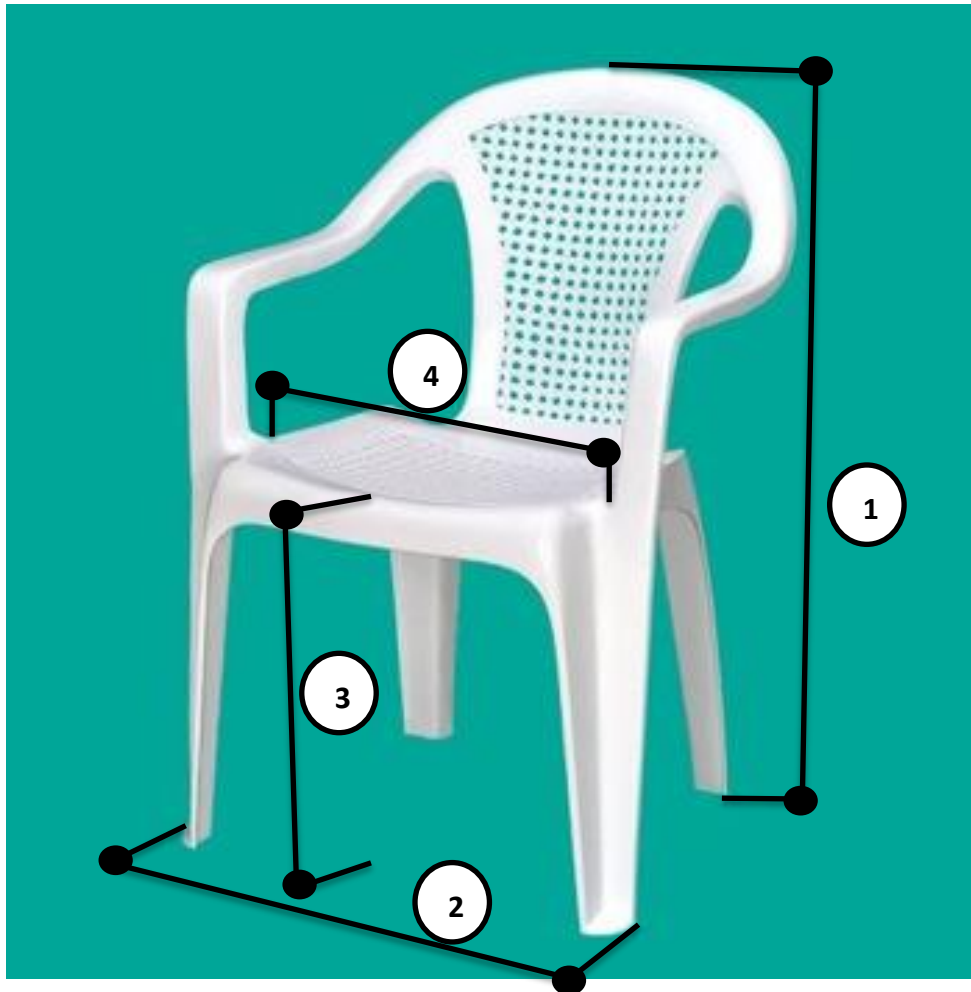
NOTE (REGARDING VARNISH):

- CLEAN UP THE DUST.
- VACUUM MOST OF THE DUST FROM THE SURFACE, .
- THEN BRUSH VARNISH OVER THE ENTIRE SURFACE, TIPPING IT OFF TO MINIMIZE BRUSH MARKS.
- AFTER THE SEALER DRIES, LIGHTLY SAND THE SURFACES WITH 240- OR 280-GRIT (EXTRA FINE) SANDING PADS OR PAPER.
- THEN APPLY THE SECOND COAT (FINISH COAT)

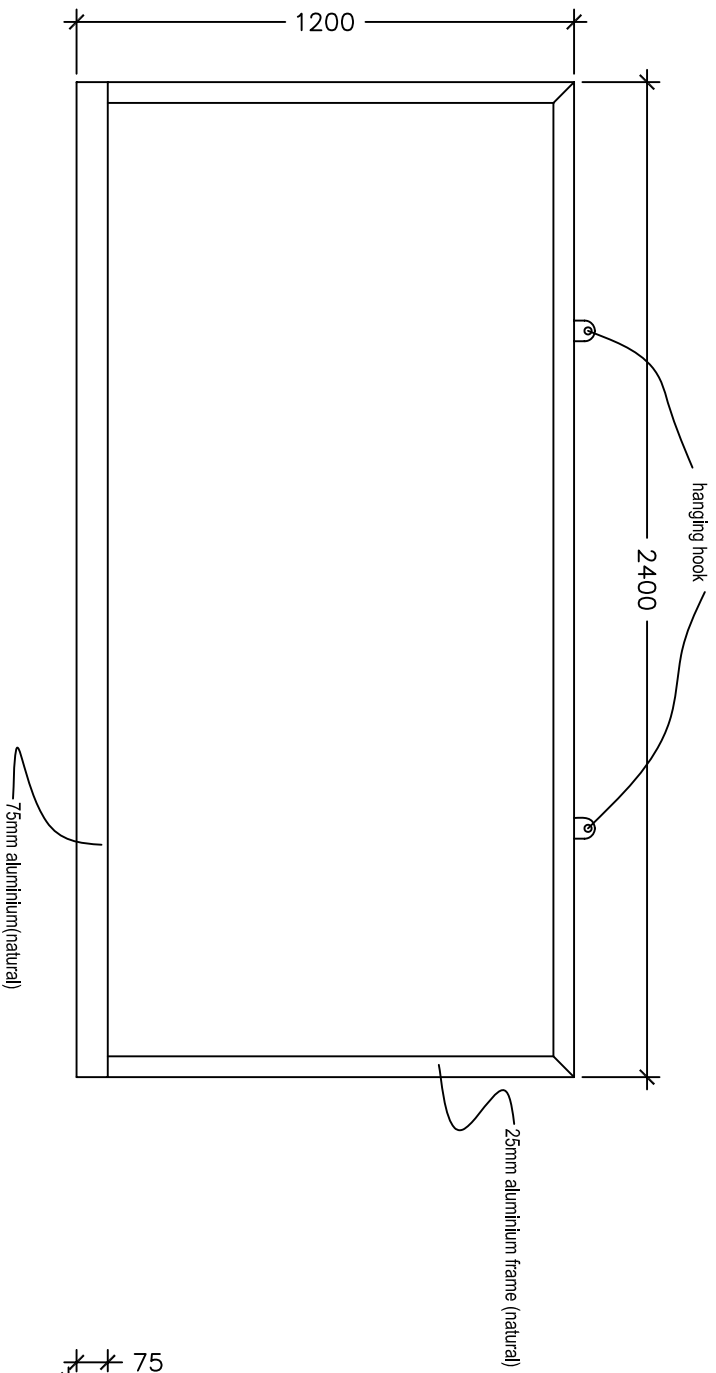
Teachers' Table



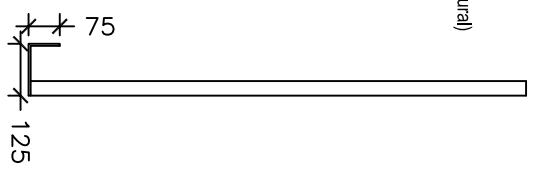
Plastic Chair with Arm



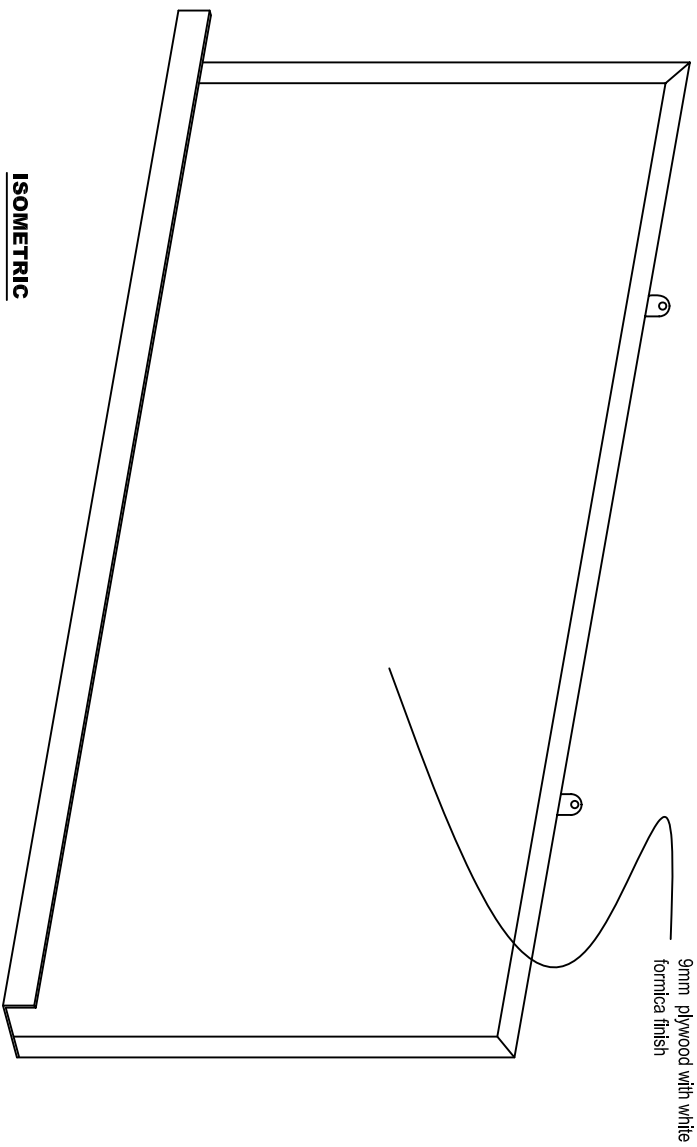
- 1- Total height = 760 mm to 765mm
- 2- Width = 530mm to 534mm
- 3- Seating height = 420mm to 435mm
- 4- Seating width = 380mm to 390mm



FRONT
SCALE : 1:20



SECTION
SCALE : 1:20



ISOMETRIC
SCALE : 1:20

WHITE BOARD

SCALE : AS GIVEN

STAGE CHAIR

(SAMPLE)







- 1- Total height = 890 mm to 895 mm
- 2- Width = 540 mm to 544 mm
- 3- Seating width=540mm to 544 mm
- 4- Colour = Dark Blue
- 5- Material: Fabric with Sponge
- 6- Legs= Stainless Steel Metal