

SITE PLAN

SCALE: 1 : 100



SHEET CONTENTS :

REVISION NOTES:

PROJECT:
FINISHING WORKS OF
R. MAAKURATHU HEALTH
CENTER EXTENSION
BUILDING

CLIENT:
MINISTRY OF HEALTH

LOCATION:
R. MAAKURATHU

CONTENTS: AS GIVEN

PROJECT MANAGER:

DESIGNER: ARIZ

CV/STR. ENGINEER:

SURVEYED BY: -

DRAWN BY: ARIZ

CHECKED BY:

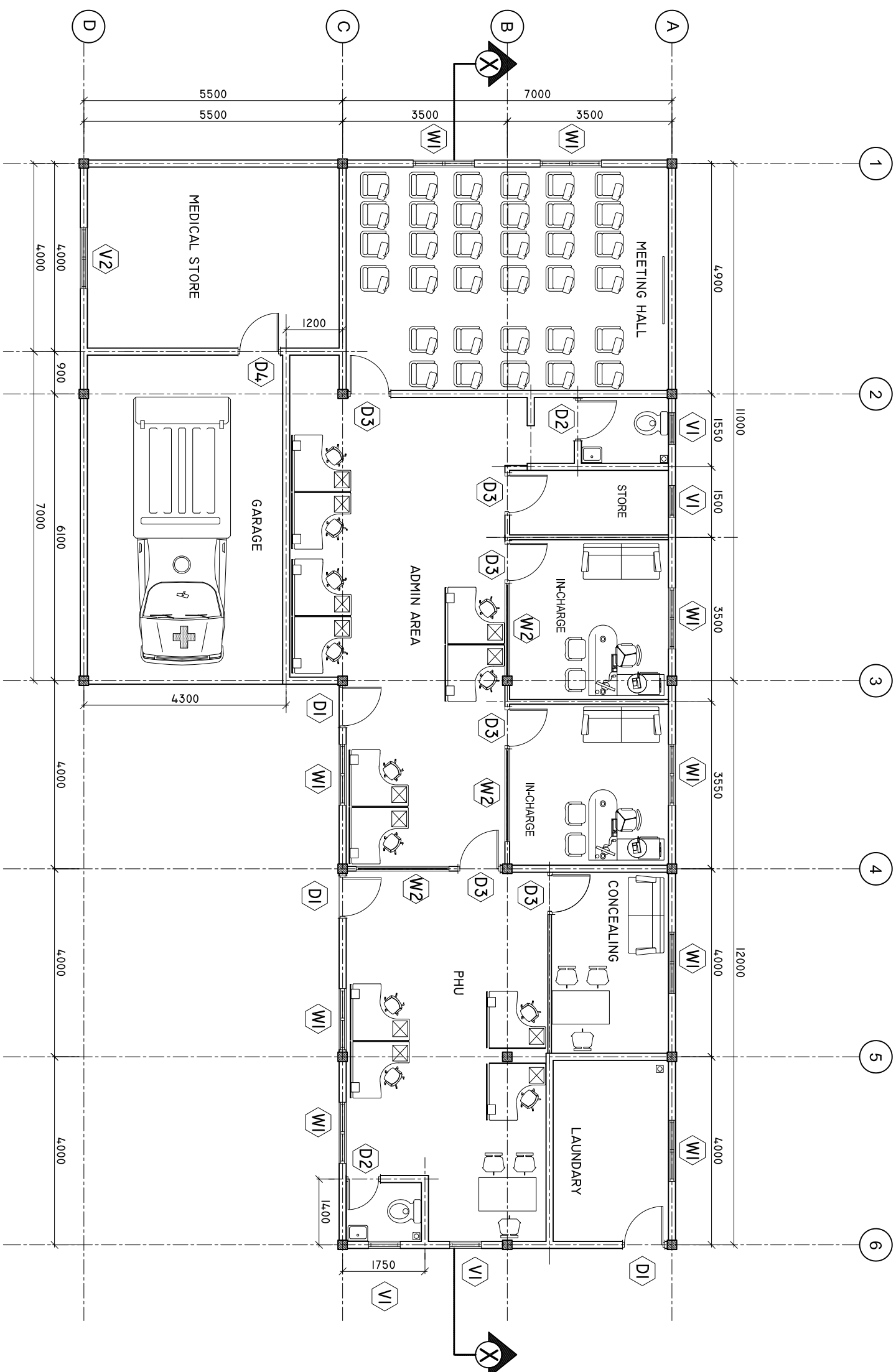
DATE : MARCH 2022

SHEET NO. : /



PROPOSED PLAN

SCALE: 1 : 100



SHEET CONTENTS :

REVISION NOTES:

PROJECT:
FINISHING WORKS OF
R. MAAKURATHU HEALTH
CENTER EXTENSION
BUILDING

CLIENT:
MINISTRY OF HEALTH

LOCATION:
R. MAAKURATHU

CONTENTS: AS GIVEN

PROJECT MANAGER:

DESIGNER: ARIZ

CIV/STR. ENGINEER:

SURVEYED BY: -

DRAWN BY: ARIZ

CHECKED BY:

DATE : MARCH 2022

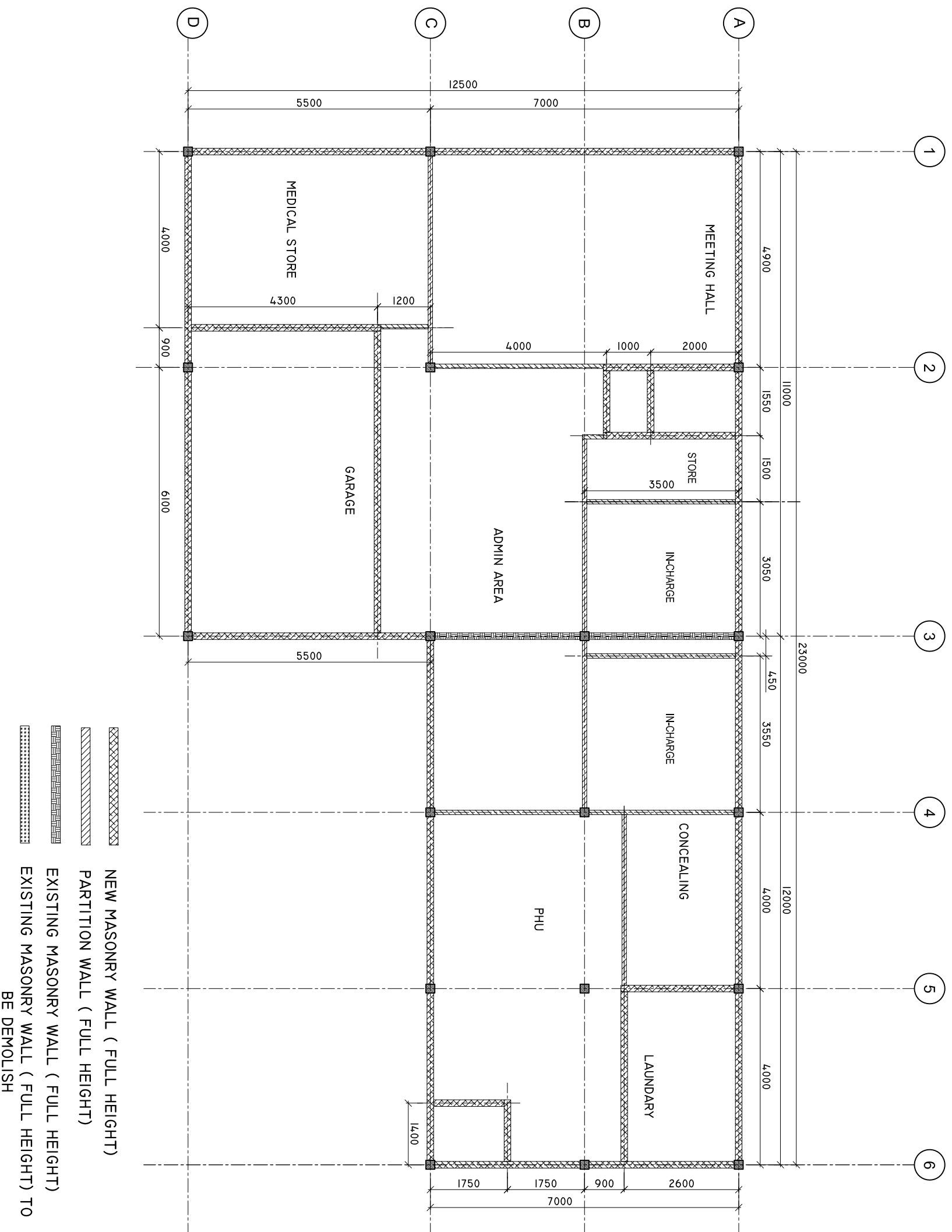
SHEET NO. : /







ADMIN DIVISION
Ministry of Health
Roshanwe Building
Sasana Marga
Tel: 332 8887, Fax: 3328889

WALL DETAILS

SCALE: 1 : 100



-  NEW MASONRY WALL (FULL HEIGHT)
-  PARTITION WALL (FULL HEIGHT)
-  EXISTING MASONRY WALL (FULL HEIGHT)
-  EXISTING MASONRY WALL (FULL HEIGHT) TO BE DEMOLISH

SHEET CONTENTS :

REVISION NOTES:

PROJECT:
FINISHING WORKS OF
R. MAAKURATHU HEALTH
CENTER EXTENSION
BUILDING

CLIENT:
MINISTRY OF HEALTH

LOCATION:
R. MAAKURATHU

CONTENTS: AS GIVEN

PROJECT MANAGER:

DESIGNER: ARIZ

CIV/STR. ENGINEER:

SURVEYED BY: -

DRAWN BY: ARIZ

CHECKED BY:

DATE : MARCH 2022

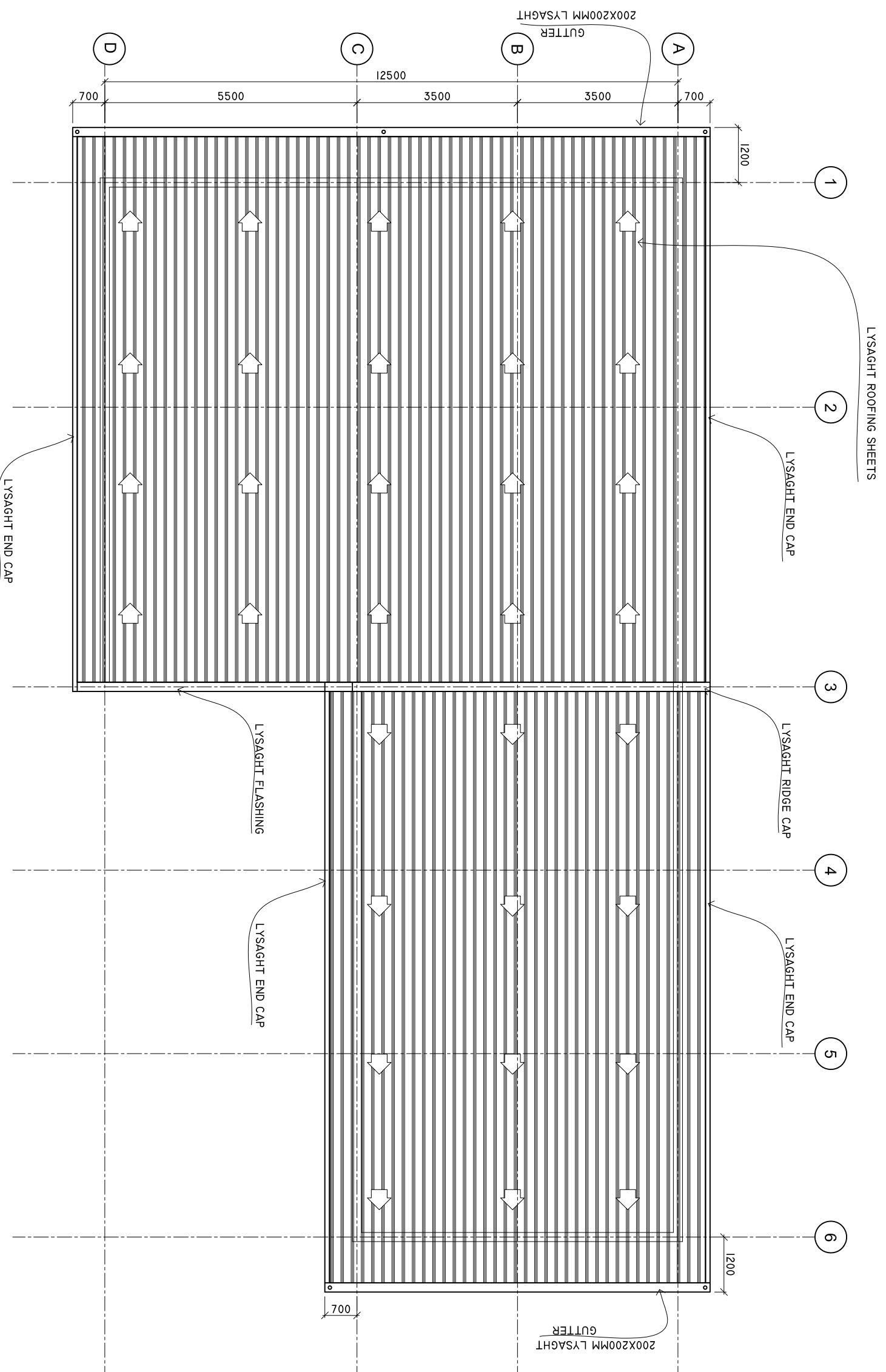
SHEET NO. : /



ADMIN DIVISION
Ministry of Health
Roshanwe Building
Sasana Marga
Tel: 332 8887, Fax: 3328889

ROOF PLAN

SCALE: 1 : 100



SHEET CONTENTS :

REVISION NOTES:

PROJECT:
FINISHING WORKS OF
R. MAAKURATHU HEALTH
CENTER EXTENSION
BUILDING

CLIENT:
MINISTRY OF HEALTH

LOCATION:
R. MAAKURATHU

CONTENTS: AS GIVEN

PROJECT MANAGER:

DESIGNER: ARIZ

CIV/STR. ENGINEER:

SURVEYED BY: -

DRAWN BY: ARIZ

CHECKED BY:

DATE : MARCH 2022

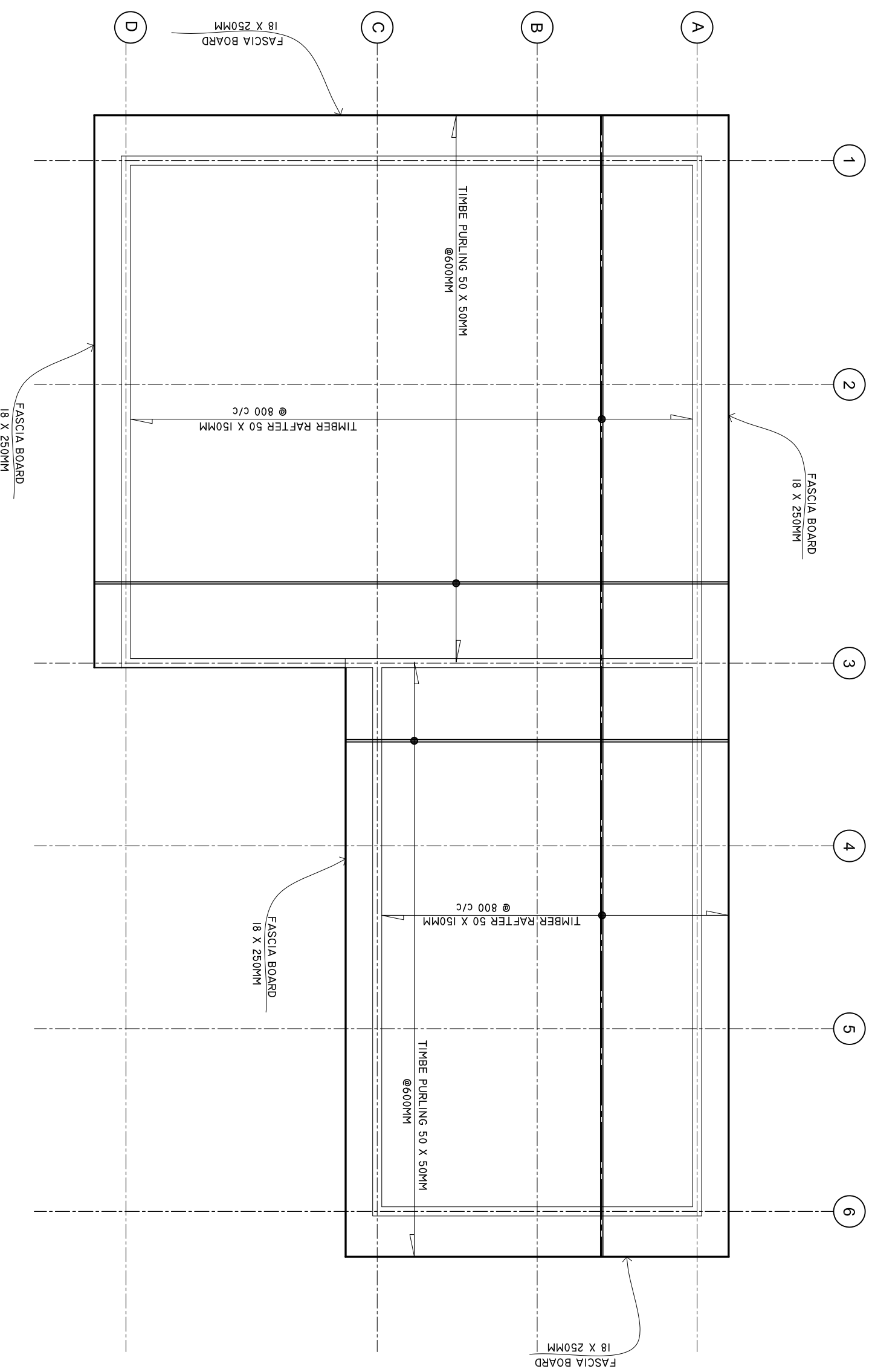
SHEET NO. : /



ADMIN DIVISION
Ministry of Health
Roshanwe Building
Sasana Marga
Tel: 332 8887, Fax: 332 8889

ROOF FRAMING PLAN

SCALE: 1 : 100



SHEET CONTENTS :

REVISION NOTES:

PROJECT:
FINISHING WORKS OF
R. MAAKURATHU HEALTH
CENTER EXTENSION
BUILDING

CLIENT:
MINISTRY OF HEALTH

LOCATION:
R. MAAKURATHU

CONTENTS: AS GIVEN

PROJECT MANAGER:

DESIGNER: ARIZ

CIV/STR. ENGINEER:

SURVEYED BY: -

DRAWN BY: ARIZ

CHECKED BY:

DATE : MARCH 2022

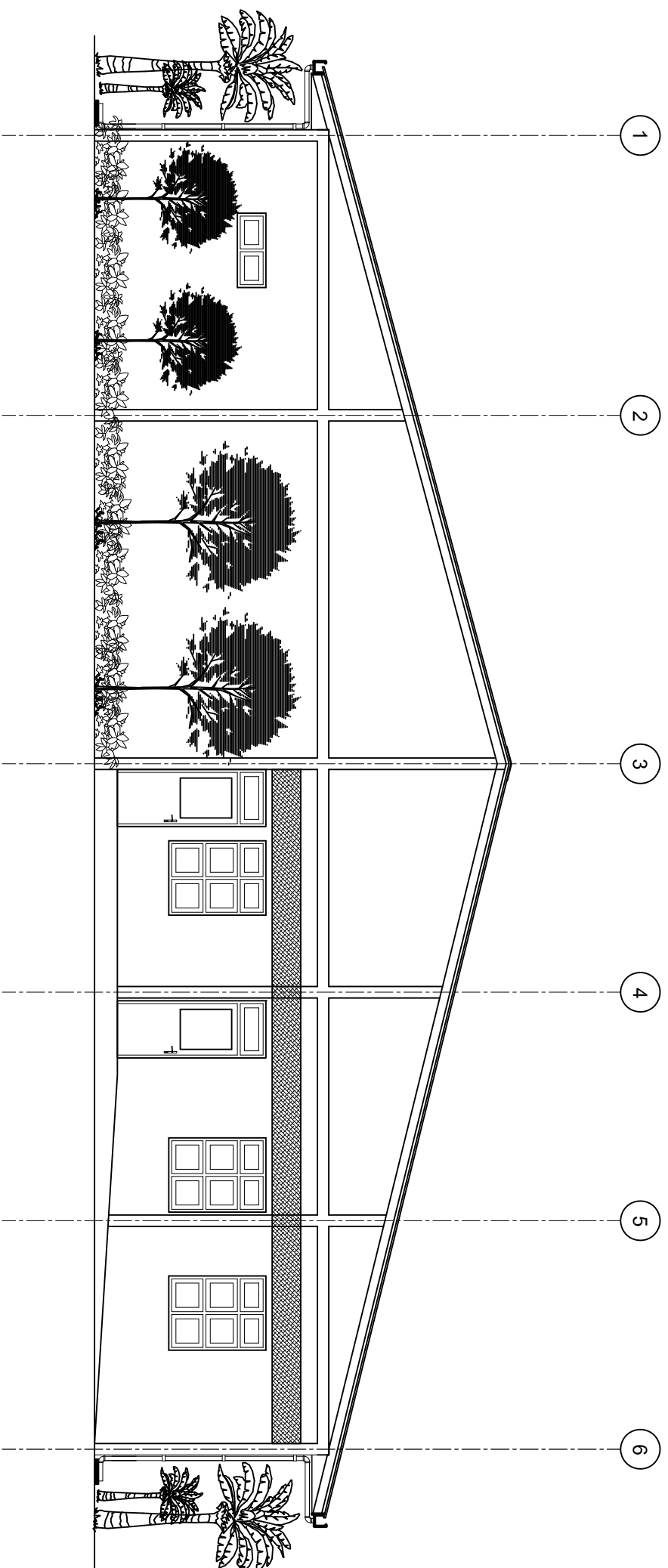
SHEET NO. : /



ADMIN DIVISION
Ministry of Health
Roshanara Building
Sasana Marga
Tel: 332 8887, Fax: 3328889

FRONT ELEVATION

SCALE: 1 : 100



SHEET CONTENTS :

REVISION NOTES:

PROJECT:
FINISHING WORKS OF
R. MAAKURATHU HEALTH
CENTER EXTENSION
BUILDING

CLIENT:
MINISTRY OF HEALTH

LOCATION:
R. MAAKURATHU

CONTENTS: AS GIVEN

PROJECT MANAGER:

DESIGNER: ARIZ

CIV/STR. ENGINEER:

SURVEYED BY: -

DRAWN BY: ARIZ

CHECKED BY:

DATE : MARCH 2022

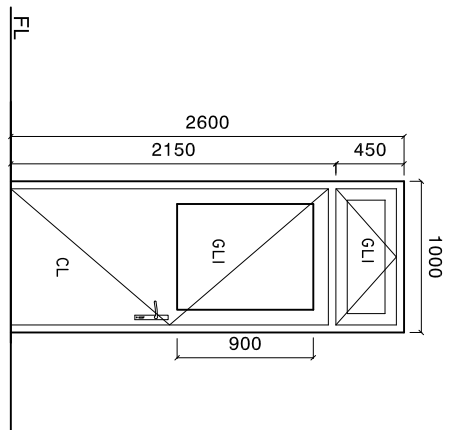
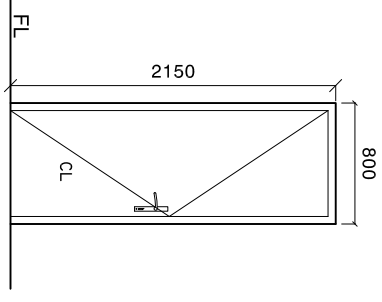
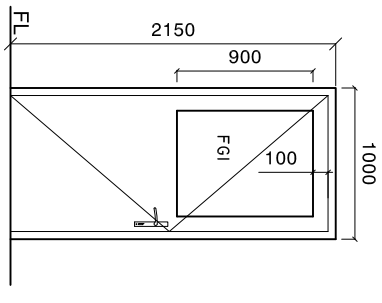
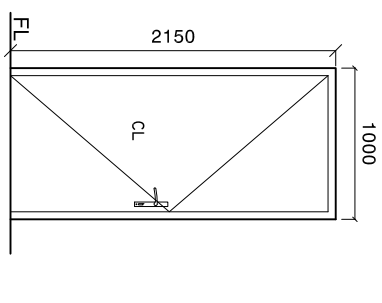
SHEET NO. : /

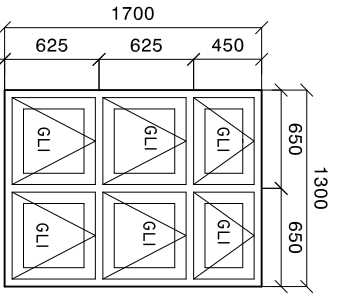
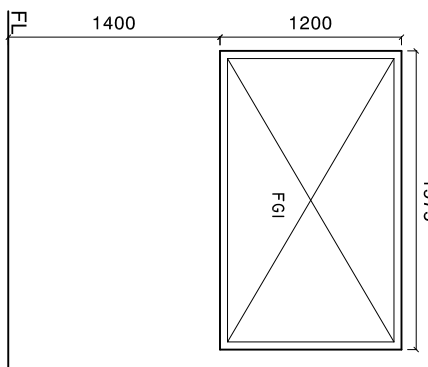
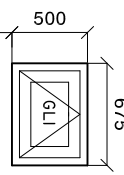
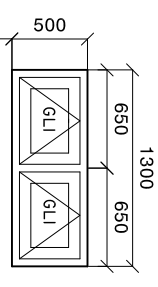


ADMIN DIVISION
Ministry of Health
Roshanewa Building
Sasana Marga
Tel: 332 8887, Fax: 3328889

DOORS AND WINDOWS SCHEDULE

Scale 1:50

SYMBOL	D1	D2	D3	D4
ELEVATION				
LOCATION	GROUND FLOOR	GROUND FLOOR	GROUND FLOOR	GROUND FLOOR
DESCRIPTION	ALUMINIUM FRAMED DOOR	TIMBER FRAME OPENABLE DOOR PANEL WITH BORDER	TIMBER FRAME OPENABLE DOOR PANEL WITH BORDER	40MM THICK OPENABLE ALUMINIUM FRAMED DOOR
FRAME	120MM ALUMINIUM FRAME 80 MICRON POWDER COATED, BLACK SANDY GRAY	TIMBER FRAME WITH 6MM PLYWOOD ON BOTH SIDE	TIMBER FRAME WITH 6MM PLYWOOD ON BOTH SIDE	120MM ALUMINIUM FRAME 80 MICRON POWDER COATED, BLACK SANDY GRAY
HARDWARE	DOOR CLOSER HANDLE LOCK BUTT HINGE STOPPER HOLDER KICKER	DOOR CLOSER HANDLE LOCK BUTT HINGE STOPPER HOLDER KICKER	DOOR CLOSER HANDLE LOCK BUTT HINGE STOPPER HOLDER KICKER	DOOR CLOSER HANDLE LOCK BUTT HINGE STOPPER HOLDER KICKER
GLAZING	C-6MM ALL FIXED PANELS TO BE DOUBLE GLAZED	C-6MM ALL FIXED PANELS TO BE DOUBLE GLAZED	C-6MM ALL FIXED PANELS TO BE DOUBLE GLAZED	C-6MM ALL FIXED PANELS TO BE DOUBLE GLAZED
NOTE	ALL MEASUREMENTS TO BE CHECKED ON SITE	ALL MEASUREMENTS TO BE CHECKED ON SITE	ALL MEASUREMENTS TO BE CHECKED ON SITE	ALL MEASUREMENTS TO BE CHECKED ON SITE

SYMBOL	W1	W2	V1	V2
ELEVATION				
LOCATION	GROUND FLOOR	GROUND FLOOR	GROUND FLOOR	GROUND FLOOR
DESCRIPTION	ALUMINIUM FRAMED TOP HUNG WINDOW	TIMBER FRAMED FIXED WINDOW	ALUMINIUM FRAMED TOP HUNG WINDOW	ALUMINIUM FRAMED TOP HUNG WINDOW
FRAME	120MM ALUMINIUM FRAME 80 MICRON POWDER COATED, BLACK SANDY GRAY	6MM THICK CLEAR GLASS	120MM ALUMINIUM FRAME 60-80 MICRON POWDER COATED, BLACK SANDY GRAY	120MM ALUMINIUM FRAME 60-80 MICRON POWDER COATED, BLACK SANDY GRAY
HARDWARE	OPENABLE FRAME HANDLE LOCK	OPENABLE FRAME HANDLE LOCK	OPENABLE FRAME HANDLE LOCK	OPENABLE FRAME HANDLE LOCK
GLAZING	6MM THICK HEAT REFLECTIVE GLASS	6MM THICK HEAT REFLECTIVE GLASS	6MM THICK HEAT REFLECTIVE GLASS	6MM THICK HEAT REFLECTIVE GLASS
NOTE	ALL MEASUREMENTS TO BE CHECKED ON SITE	ALL MEASUREMENTS TO BE CHECKED ON SITE	ALL MEASUREMENTS TO BE CHECKED ON SITE	ALL MEASUREMENTS TO BE CHECKED ON SITE

NOTE:

PROVIDE RC LINTEL ABOVE ALL DOOR/WINDOW/VENTILATOR UNITS NOT FIXED TO BEAMS
AND PROVIDE RC SILL BEAMS UNDER ALL WINDOW UNITS
ALL TIMBER DOORS TO BE MADE OF TIMBER, PUTTY SMOOTHED AND FINISHED WITH ENAMEL PAINT AS SPECIFIED

ALL MEASUREMENTS TO BE CHECKED ON SITE BEFORE FABRICATION
FGI = 6MM THICK CLEAR GLASS
GLI = 6MM THICK HEAT REFLECTIVE BLUE GLASS
CL = CLADDING SHEET (DOUBLE GLAZING)
ALL THE ALUMINIUM PROFILE MUST BE MINIMUM 2MM THICK.

SHEET CONTENTS :

REVISION NOTES:

PROJECT:
FINISHING WORKS OF
R. MAAKURATHU HEALTH
CENTER EXTENSION
BUILDING

CLIENT:

MINISTRY OF HEALTH

LOCATION:
R. MAAKURATHU

CONTENTS: AS GIVEN

PROJECT MANAGER:

DESIGNER: ARIZ

CIV/STR. ENGINEER:

SURVEYED BY: -

DRAWN BY: ARIZ

CHECKED BY:

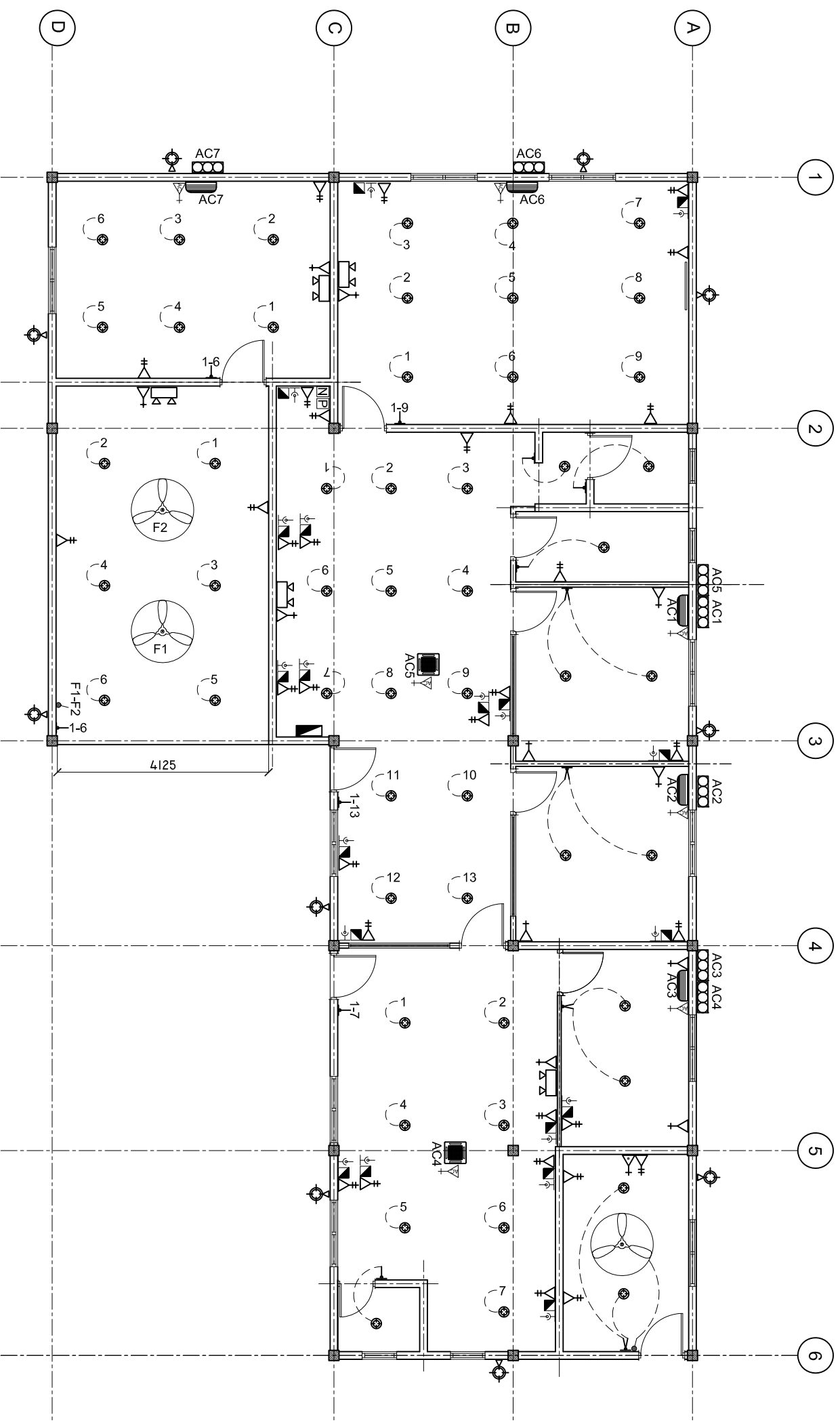
DATE : MARCH 2022

SHEET NO. : /



ELECTRICAL LAYOUT

SCALE: 1 : 100



NOTE: EACH LIGHT MUST BE CONTROLLED BY A SINGLE SWITCH.

LEGEND

SYMBOL	DESCRIPTION
	LED BULB WITH 150MM DOWN LIGHT
	1 x 13 AMP SOCKET OUTLET (300MM ABOVE FFL)
	2 x 13 AMP SOCKET OUTLET (300MM ABOVE FFL)
	1 x 15 AMP SOCKET OUTLET (300MM ABOVE FFL)
	1 x 15 AMP AC SOCKET OUTLET (50MM BLW. CEILING)
	TWO GANG SWITCH
	ONE WAY SWITCH
	EMERGENCY LIGHT
	DISTRIBUTION BOARD (WALL EMBEDDED)
	AC WALL MOUNT UNIT
	TELEPHONE SOCKET
	NETWORK SOCKET
	METER WITH OUT DOOR WATER PROOF BOX WITH TRANSPARENT FRONT DOOR

LEGEND

SYMBOL	DESCRIPTION
	1 x 13 AMP SOCKET OUTLET (200MM BELOW CEILING)
	WALL MOUNT FAN
	FAN REGULATOR
	5W BULB WITH COVERED
	CEILING FAN 1200MM DIA.
	AC INDOOR UNIT, CEILING CASSETTE TYPE
	OUTDOOR LIGHT
	AC OUTDOOR UNIT
	NETWORK SWITCH
	PABX

SHEET CONTENTS :

REVISION NOTES:

PROJECT:
FINISHING WORKS OF
R. MAAKURATHU HEALTH
CENTER EXTENSION
BUILDING

CLIENT:
MINISTRY OF HEALTH

LOCATION:
R. MAAKURATHU

CONTENTS: AS GIVEN

PROJECT MANAGER:

DESIGNER: ARIZ

CV/STR. ENGINEER:

SURVEYED BY: -

DRAWN BY: ARIZ

CHECKED BY:

DATE : MARCH 2022

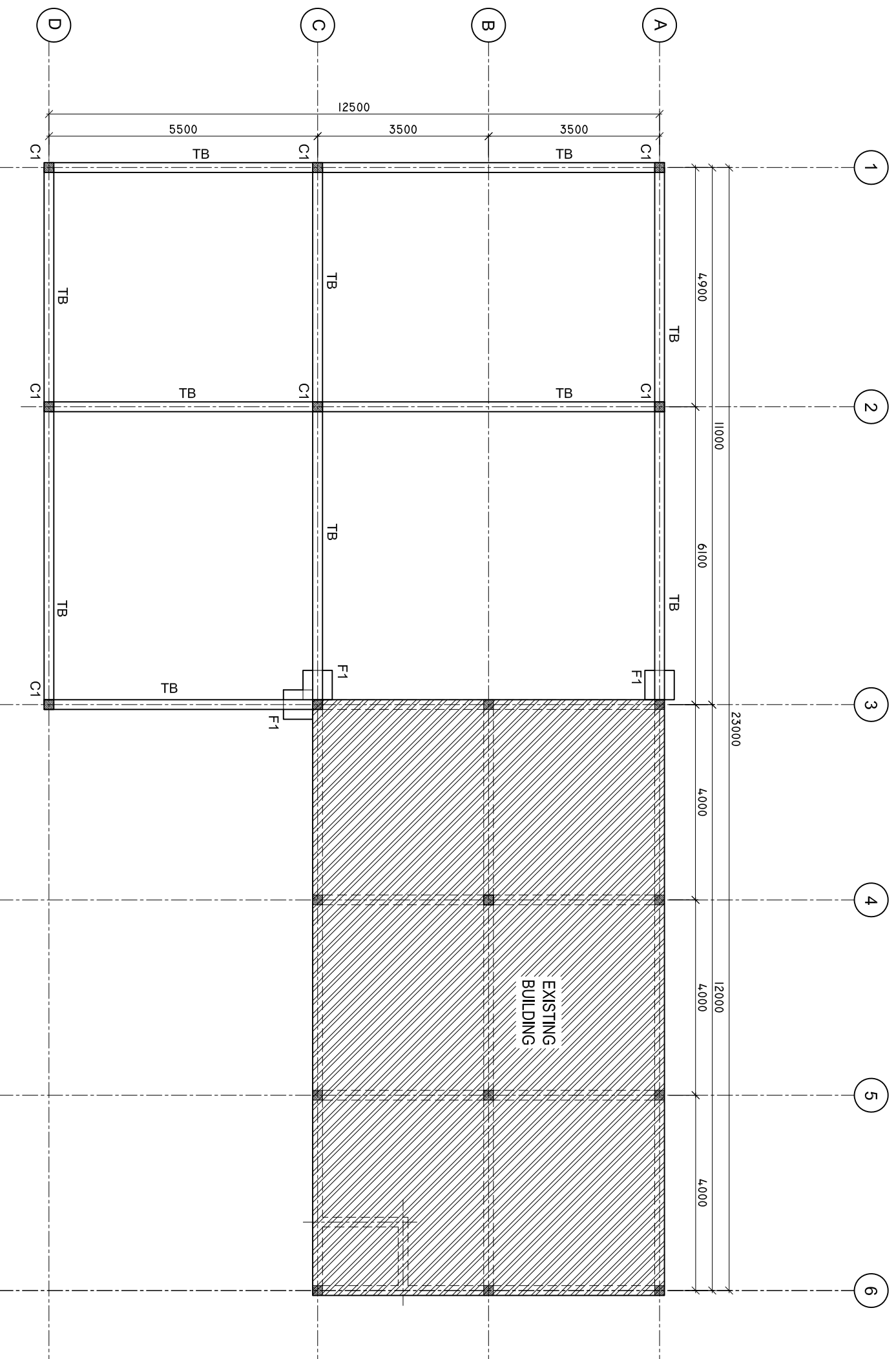
SHEET NO. : /



ADMIN DIVISION
Ministry of Health
Residence Building
Sasana Marga
Tel: 332 8887, Fax: 3328889

TIE BEAM PLAN

SCALE: 1 : 100



SHEET CONTENTS :

REVISION NOTES:

PROJECT:
FINISHING WORKS OF
R. MAAKURATHU HEALTH
CENTER EXTENSION
BUILDING

CLIENT:

MINISTRY OF HEALTH

LOCATION:

R. MAAKURATHU

CONTENTS: AS GIVEN

PROJECT MANAGER:

DESIGNER: ARIZ

CIV/STR. ENGINEER:

SURVEYED BY: -

DRAWN BY: ARIZ

CHECKED BY:

DATE : MARCH 2022

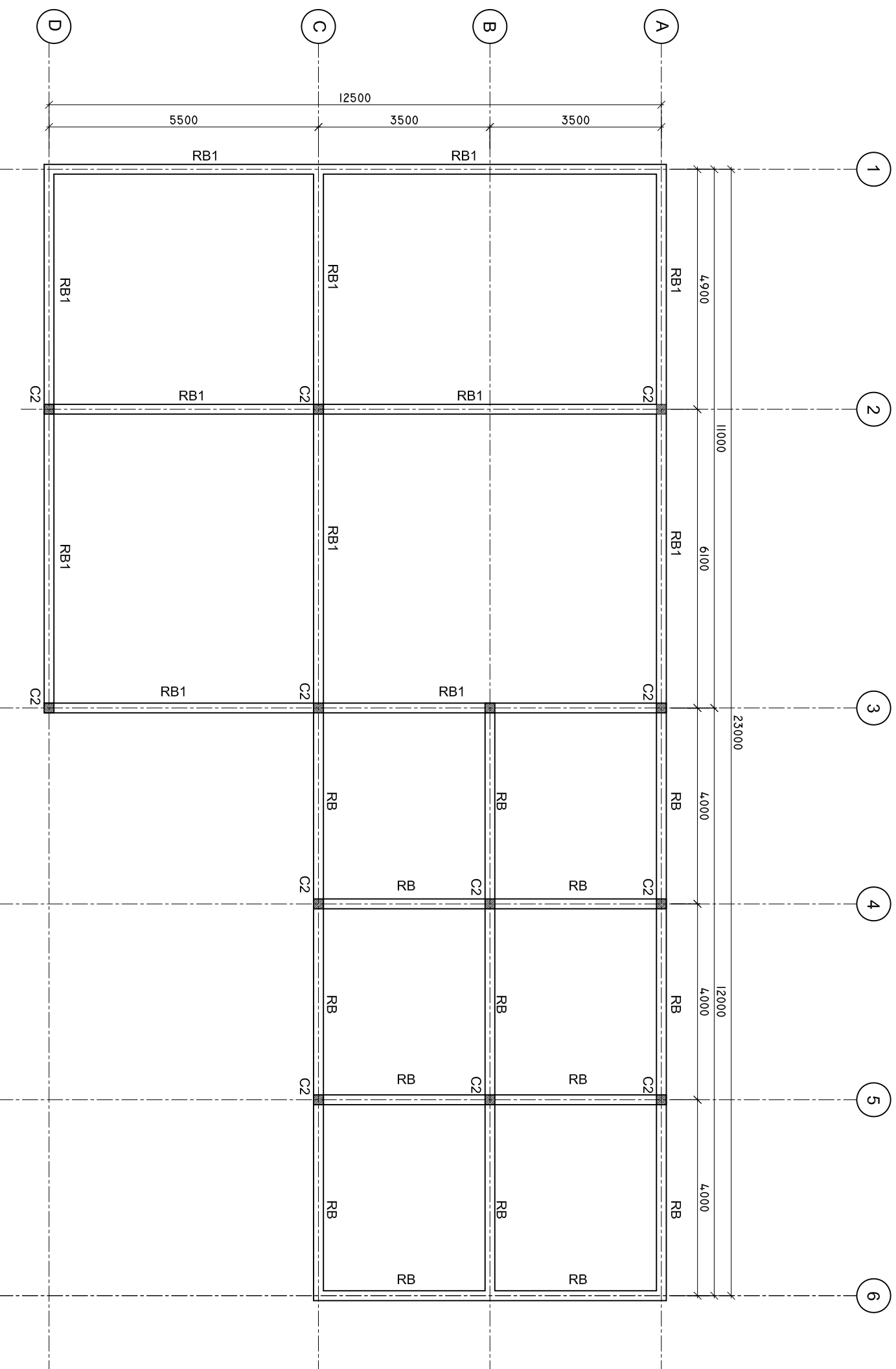
SHEET NO. : /



ADMIN DIVISION
Ministry of Health
Roshanara Building
Sasana Marga
Tel: 332 8887, Fax: 332 8889

ROOF BEAM PLAN

SCALE: 1 : 100



SHEET CONTENTS :

REVISION NOTES:

PROJECT:
FINISHING WORKS OF
R. MAAKURATHU HEALTH
CENTER EXTENSION
BUILDING

CLIENT:

MINISTRY OF HEALTH

LOCATION:

R. MAAKURATHU

CONTENTS: AS GIVEN

PROJECT MANAGER:

DESIGNER: ARIZ

CIV/STR. ENGINEER:

SURVEYED BY: -

DRAWN BY: ARIZ

CHECKED BY:

DATE : MARCH 2022

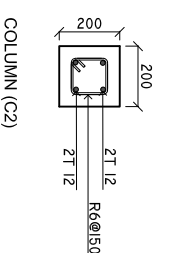
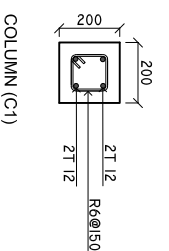
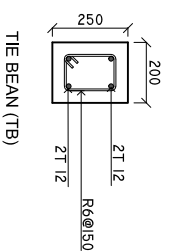
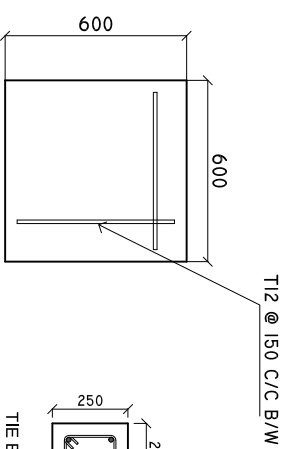
SHEET NO. : /



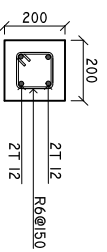
ADMIN DIVISION
Ministry of Health
Roshanara Building
Sasana Marga
Tel: 332 8887, Fax: 332 8889

DETAILS R/C

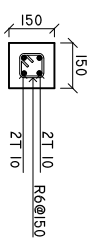
SCALE: 1 : 25



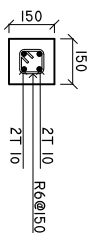
F1



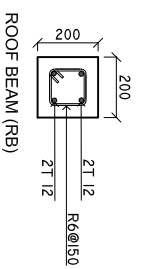
ROOF BEAM (RB1)



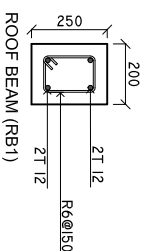
LINTEL BEAM



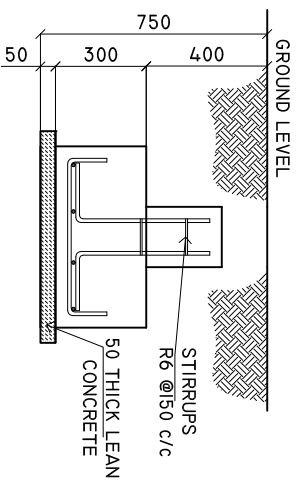
SILL BEAM



ROOF BEAM (RB)



ROOF BEAM (RB1)



MINIMUM 50MM COVER BELOW GROUND LEVEL	ALL BAR BENDING & OVERLAPS AS PER ACTUAL BS STANDARD.
MINIMUM 30MM COVER ABOVE GROUND LEVEL	

NOTE:
LINTEL BEAMS TO BE LAID ABOVE AND BELOW ALL WINDOWS AND ALL DOORS.

SHEET CONTENTS :

REVISION NOTES:

PROJECT:
FINISHING WORKS OF
R. MAAKURATHU HEALTH
CENTER EXTENSION
BUILDING

CLIENT:
MINISTRY OF HEALTH

LOCATION:
R. MAAKURATHU

CONTENTS: AS GIVEN

PROJECT MANAGER:

DESIGNER: ARIZ

CIV/STR. ENGINEER:

SURVEYED BY: -

DRAWN BY: ARIZ

CHECKED BY:

DATE : MARCH 2022

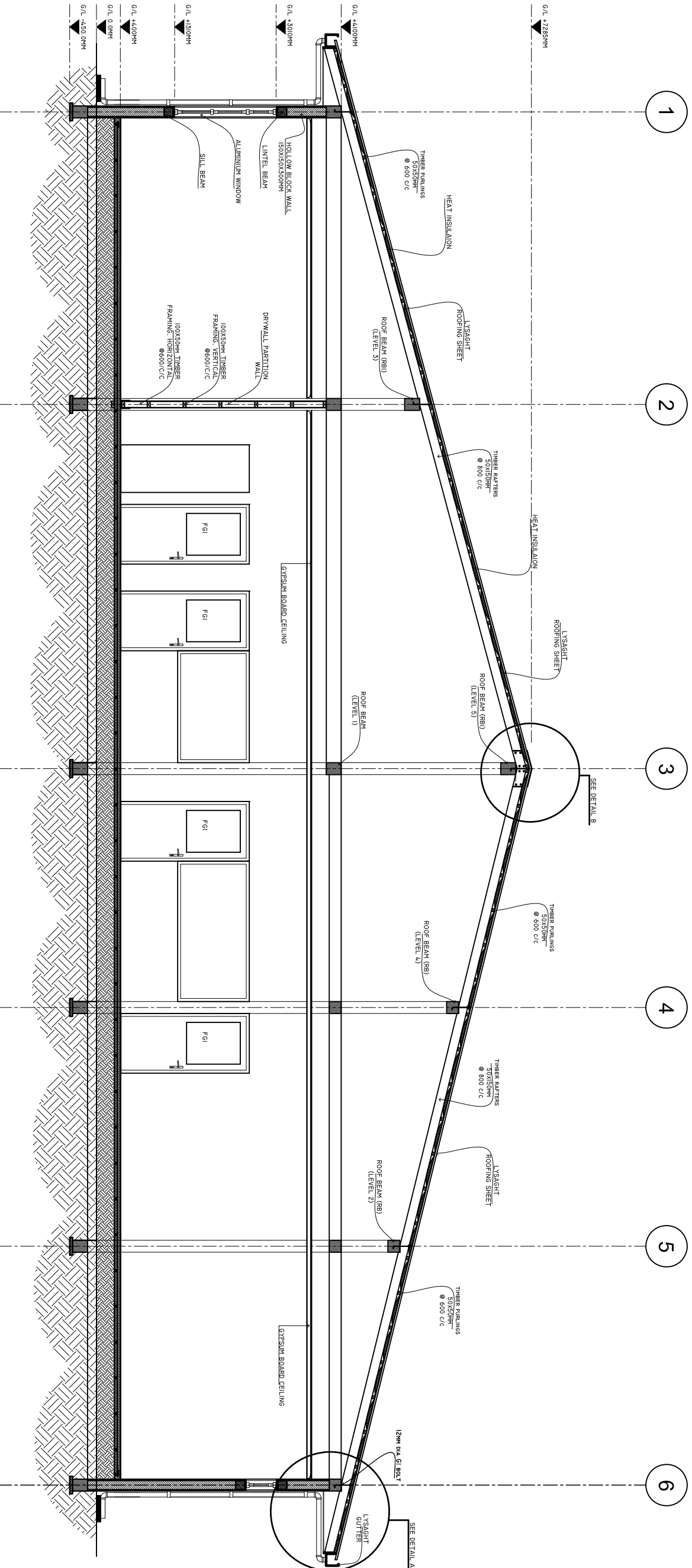
SHEET NO. : /



ADMIN DIVISION
Ministry of Health
Roshanara Building
Sasana Marga
Tel: 332 8887, Fax: 3328889

CROSS SECTION X-X

SCALE: 1 : 75



SHEET CONTENTS :

REVISION NOTES:

PROJECT:
FINISHING WORKS OF
R. MAAKURATHU HEALTH
CENTER EXTENSION
BUILDING

CLIENT:
MINISTRY OF HEALTH

LOCATION:
R. MAAKURATHU

CONTENTS: AS GIVEN

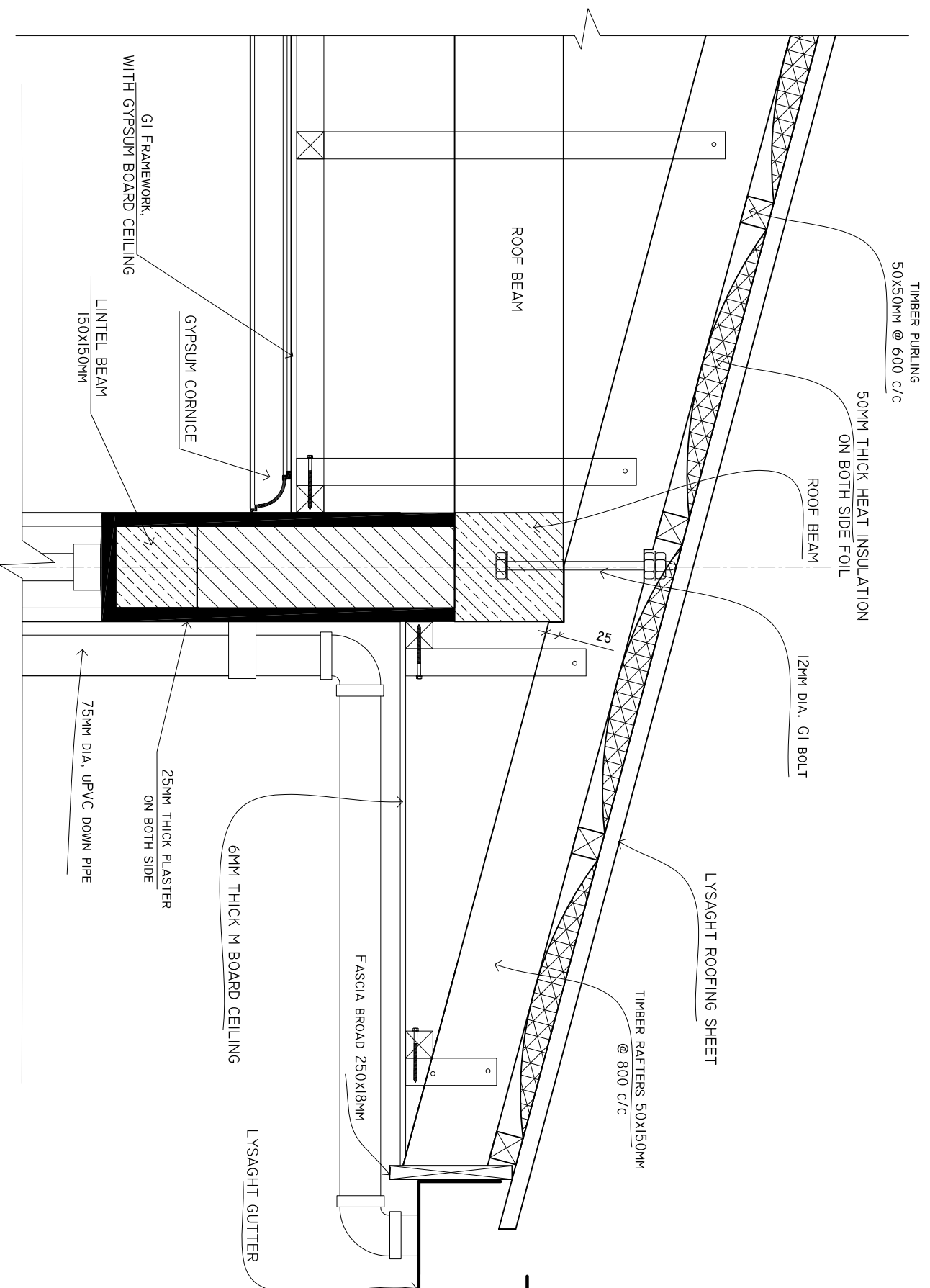
PROJECT MANAGER:
DESIGNER: ARIZ
CIV/STR. ENGINEER:
SURVEYED BY: -
DRAWN BY: ARIZ
CHECKED BY:
DATE : MARCH 2022
SHEET NO. : /



ADMIN DIVISION
Ministry of Health
Roshanwe Building
Soan Marga
Tel: 332 8887, Fax: 3328889

DETAIL A

SCALE: 1 : 10



SHEET CONTENTS :

REVISION NOTES:

PROJECT:
FINISHING WORKS OF
R. MAAKURATHU HEALTH
CENTER EXTENSION
BUILDING

CLIENT:
MINISTRY OF HEALTH

LOCATION:
R. MAAKURATHU

CONTENTS: AS GIVEN

PROJECT MANAGER:

DESIGNER: ARIZ

CV/STR. ENGINEER:

SURVEYED BY: -

DRAWN BY: ARIZ

CHECKED BY:

DATE : MARCH 2022

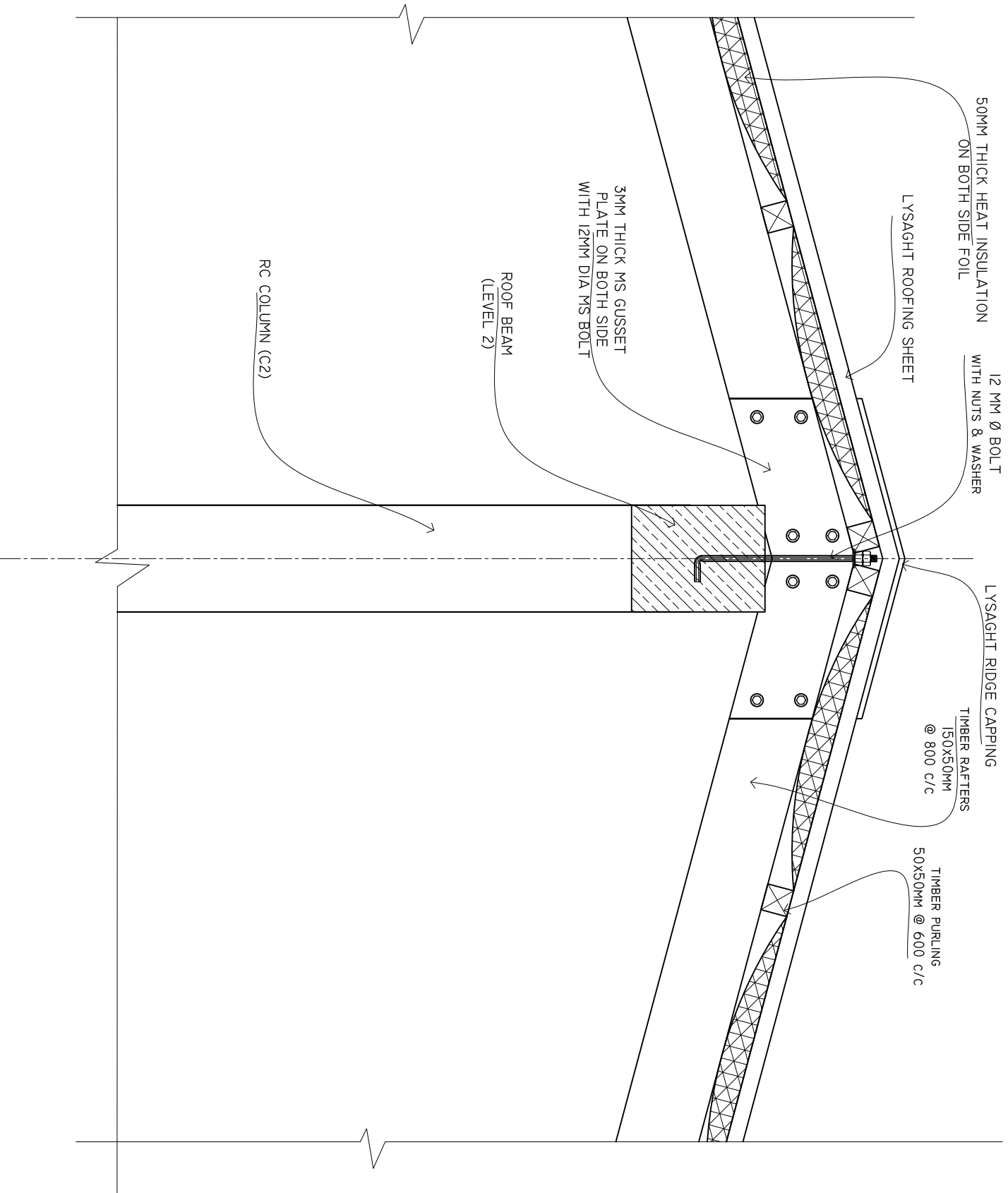
SHEET NO. : /



ADMIN DIVISION
Ministry of Health
Roshanra Building
Sasana Marga
Tel: 332 8887, Fax: 332 8889

DETAIL B

SCALE: 1 : 10



SHEET CONTENTS :

REVISION NOTES:

PROJECT:
FINISHING WORKS OF
R. MAAKURATHU HEALTH
CENTER EXTENSION
BUILDING

CLIENT:
MINISTRY OF HEALTH

LOCATION:
R. MAAKURATHU

CONTENTS: AS GIVEN

PROJECT MANAGER:

DESIGNER: ARIZ

CV/STR. ENGINEER:

SURVEYED BY: -

DRAWN BY: ARIZ

CHECKED BY:

DATE : MARCH 2022

SHEET NO. : /

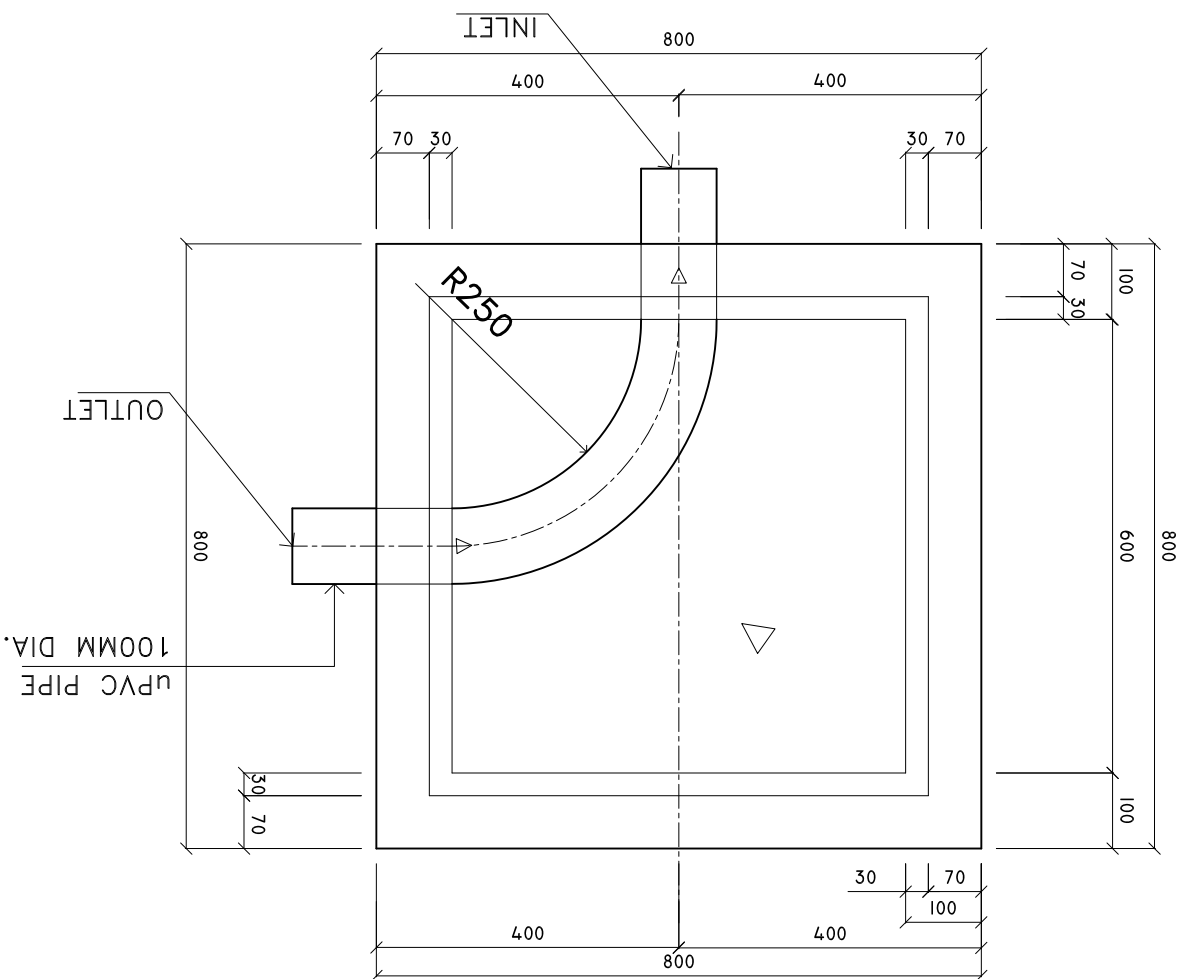


ADMIN DIVISION
Ministry of Health
Roshanra Building
Sasana Marga
Tel: 332 8887, Fax: 3328889

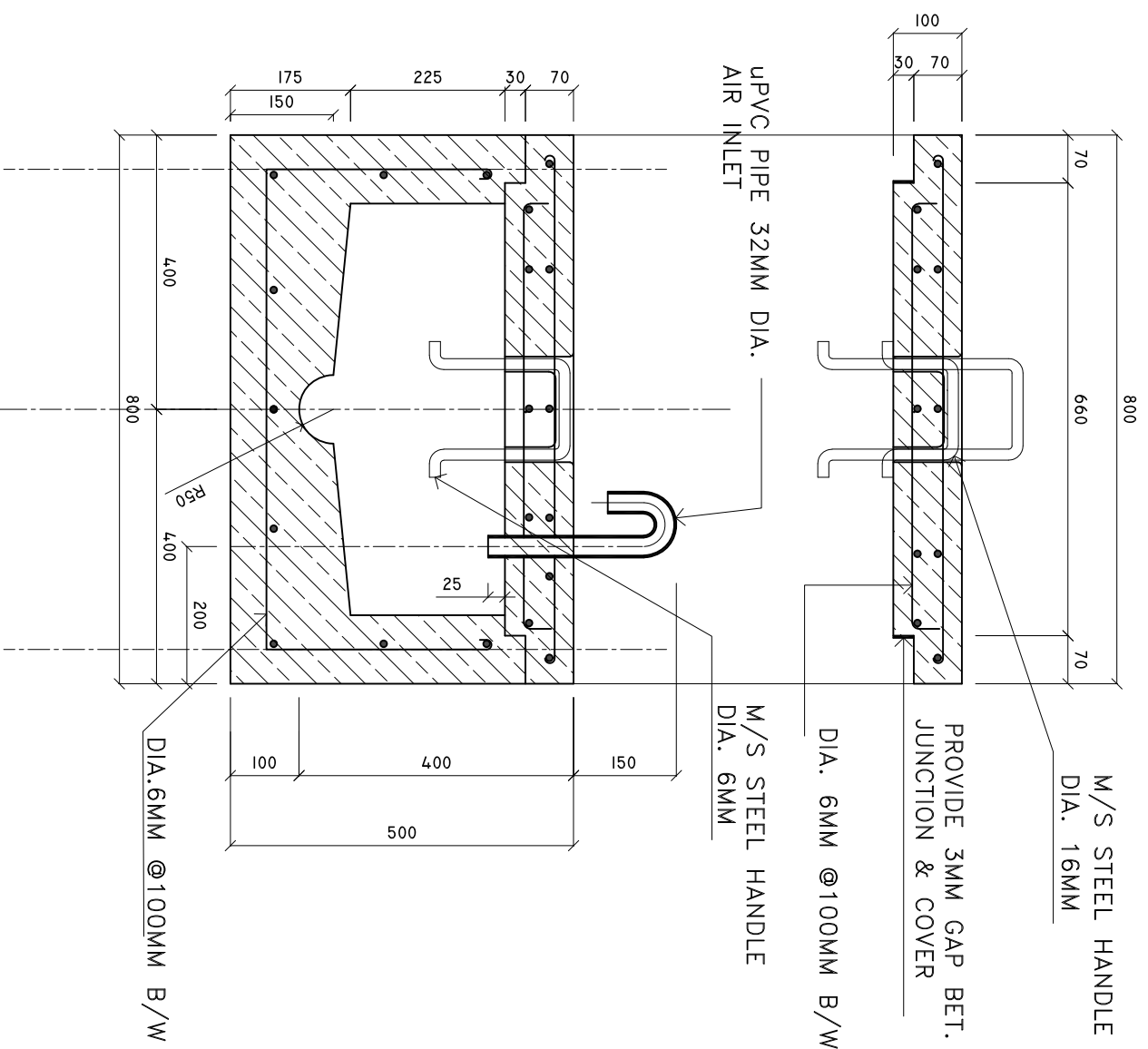
INSPECTION CHAMBER DETAILS FROM TOILET

SCALE : 1 : 10

PLAN



SECTION X-X



SHEET CONTENTS :

REVISION NOTES:

PROJECT:
FINISHING WORKS OF
R. MAAKURATHU HEALTH
CENTER EXTENSION
BUILDING

CLIENT:
MINISTRY OF HEALTH

LOCATION:
R. MAAKURATHU

CONTENTS: AS GIVEN

PROJECT MANAGER:

DESIGNER: ARIZ

CIV/STR. ENGINEER:

SURVEYED BY: -

DRAWN BY: ARIZ

CHECKED BY:

DATE : MARCH 2022

SHEET NO. : /

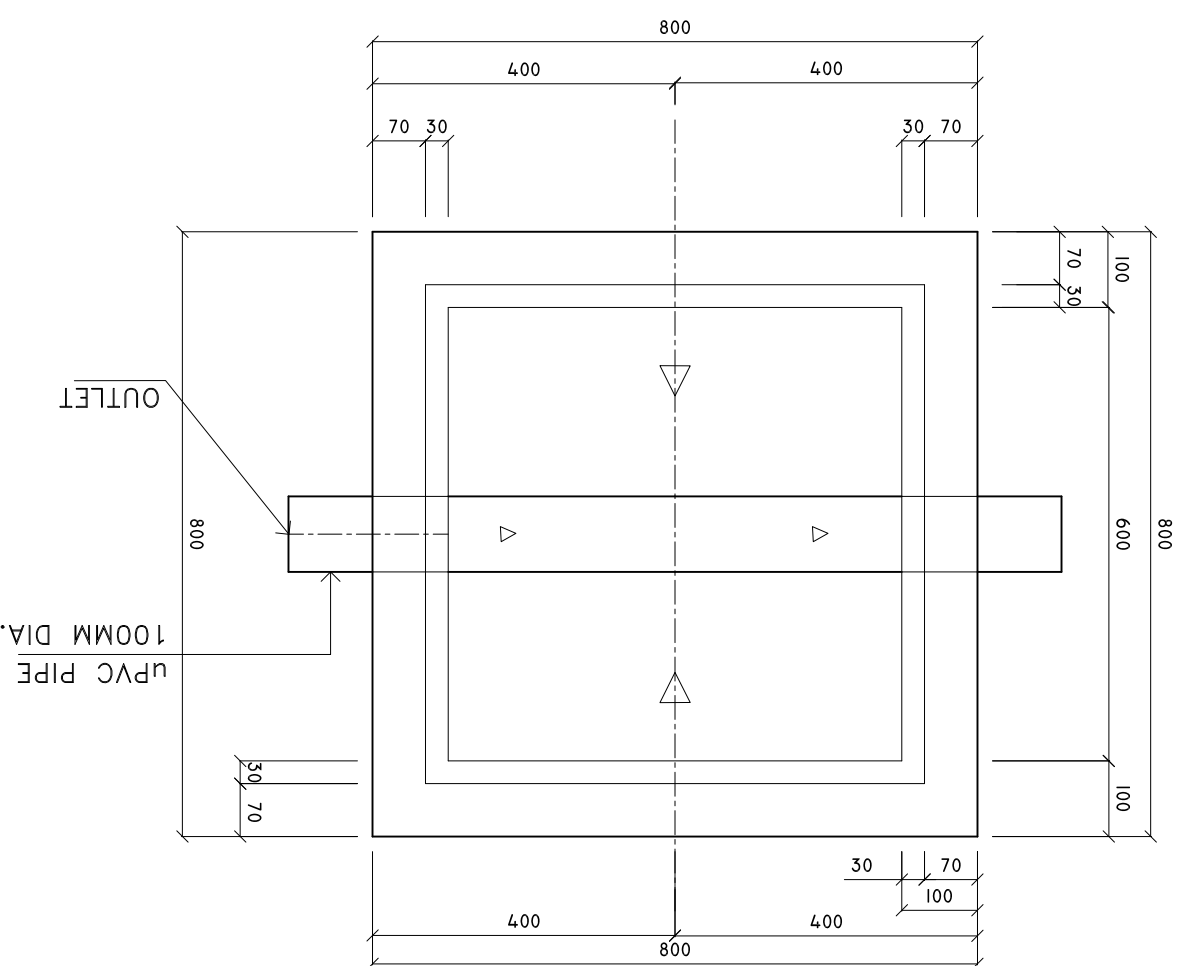


ADMIN DIVISION
Ministry of Health
Roshanara Building
Sasana Marga
Tel: 332 8887, Fax: 332 8889

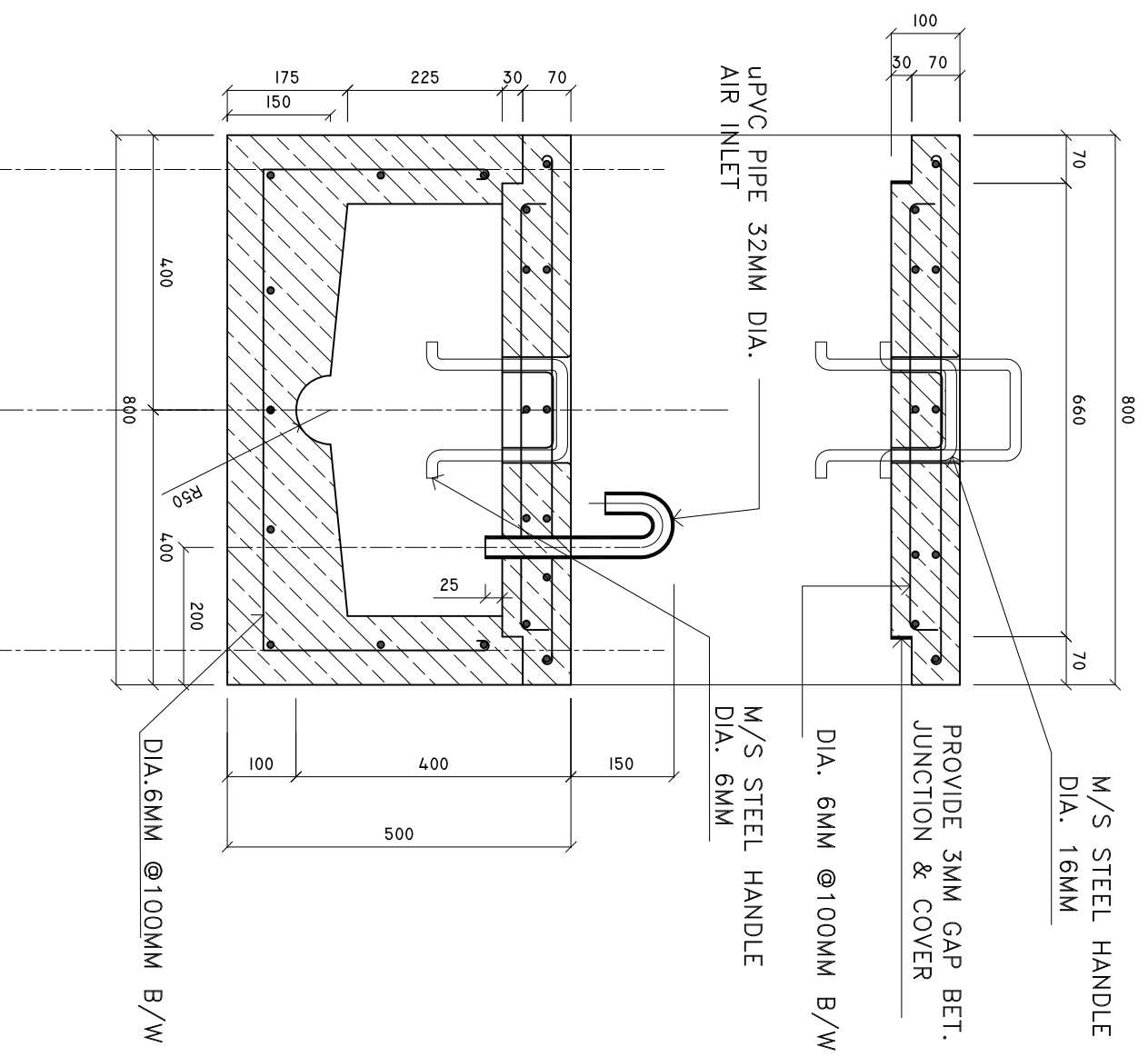
INSPECTION CHAMBER DETAILS FROM TOILET

SCALE : 1 : 10

PLAN



SECTION X-X



SHEET CONTENTS :

REVISION NOTES:

PROJECT:
FINISHING WORKS OF
R. MAAKURATHU HEALTH
CENTER EXTENSION
BUILDING

CLIENT:
MINISTRY OF HEALTH

LOCATION:
R. MAAKURATHU

CONTENTS: AS GIVEN

PROJECT MANAGER:

DESIGNER: ARIZ

CIV/STR. ENGINEER:

SURVEYED BY: -

DRAWN BY: ARIZ

CHECKED BY:

DATE : MARCH 2022

SHEET NO. : /



ADMIN DIVISION
Ministry of Health
Roshanara Building
Soan Marga
Tel: 332 8887, Fax: 332 8889