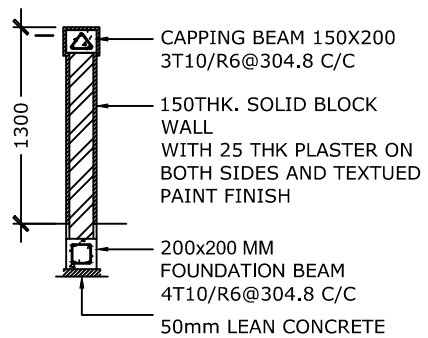


MAIN ENTRANCE GATE DETAIL

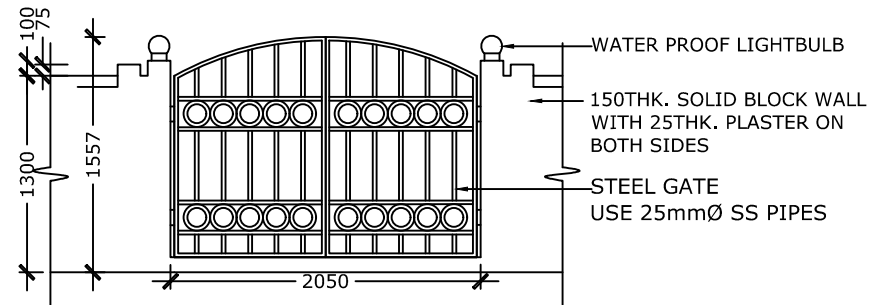
(PLAN)

SCALE 1:50



BOUNDARY WALL DETAILS

SCALE 1:50



MAIN ENTRANCE GATE DETAIL (ELEVATION)

SCALE 1:50