

# PROPOSED KIDS' PLAYGROUND AT LH. NAIFARU

# CONTENTS

LOCATION PLAN	SHEET NO 03	
LAYOUT PLAN	SHEET NO 04	
GATE WAY	SHEET NO 05	
GAZEBO	SHEET NO 11	
RESTROOMS	SHEET NO 19	
BENCH TYPE A	SHEET NO 25	
BENCH TYPE B	SHEET NO 28	
BENCH TYPE C	SHEET NO 31	
BENCH TYPE D	SHEET NO 34	
BENCH TYPE E	SHEET NO 34	
BENCH TYPE F	SHEET NO 37	
BENCH TYPE G	SHEET NO 40	
LIGHTING PLAN	SHEET NO 43	
STRUCTURAL INSTALLATION OF EQUIPMENTS	SHEET NO 45	

SECRETARIAT OF THE  
**NAIFARU COUNCIL**

PROJECT:  
KIDS' PLAYGROUND

DESIGNED BY:  
ISMAIL YAMAAN YOOSUF  
ARCHITECT  
NAIFARU COUNCIL

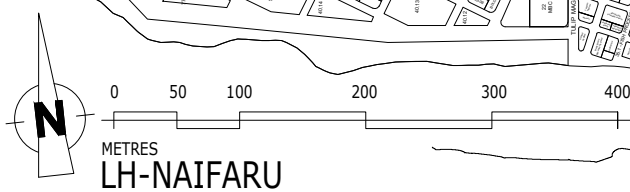
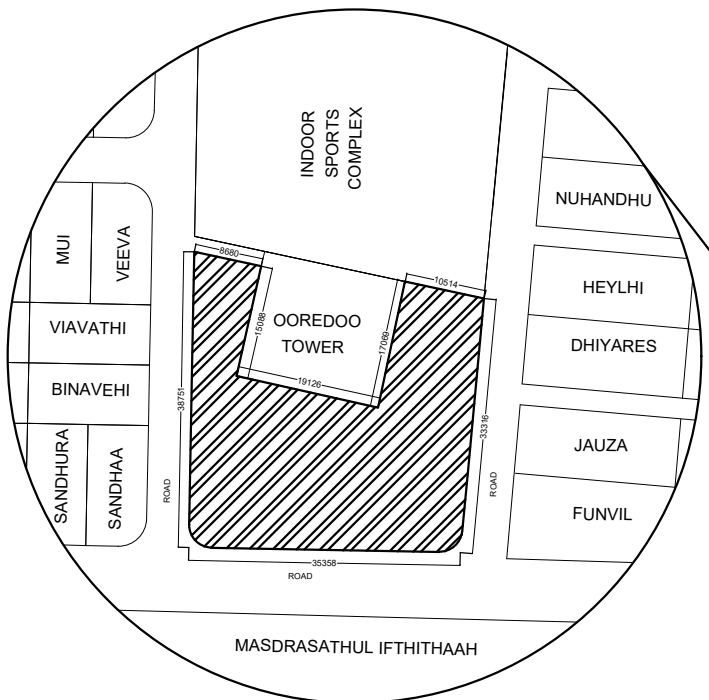
CHECKED BY:  
ASHHAM MOHAMED  
ASSISTANT DIRECTOR  
NAIFARU COUNCIL

APPROVED BY:  
MOHAMED RASHEED  
COUNCIL PRESIDENT  
NAIFARU COUNCIL

DATE:  
JULY 2021

DWG NO:  
01

SHEET NO:  
03



**LOCATION PLAN**  
SCALE: NTS

PROJECT:  
KIDS' PLAYGROUND

DESIGNED BY:  
ISMAIL YAMAAN YOOSUF  
ARCHITECT  
NAIFARU COUNCIL

CHECKED BY:  
ASHHAM MOHAMED  
ASSISTANT DIRECTOR  
NAIFARU COUNCIL
















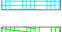






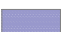






APPROVED BY:  
MOHAMED RASHEED  
COUNCIL PRESIDENT  
NAIFARU COUNCIL

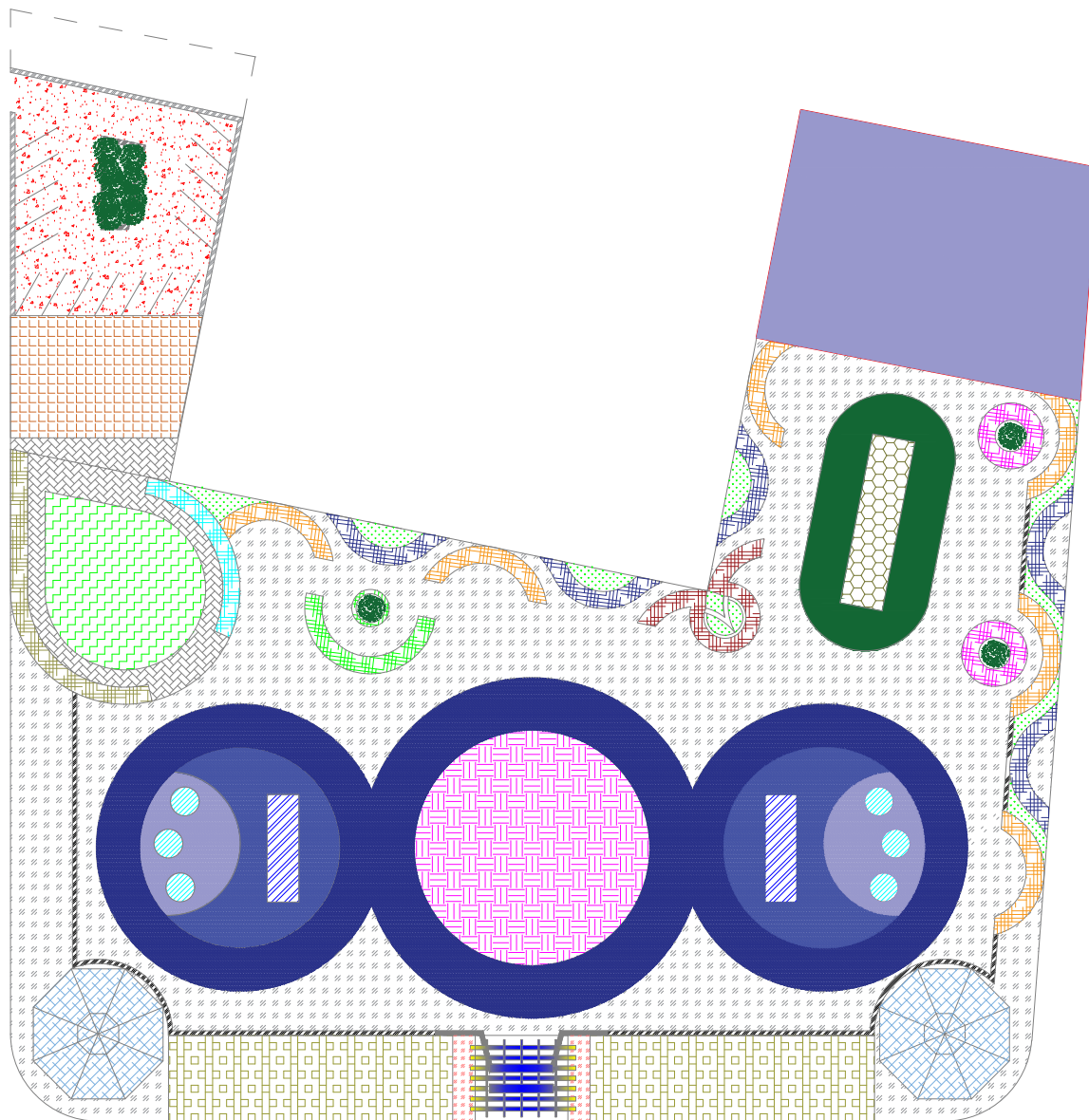
DATE:  
JULY 2021

DWG  
NO:  
02

SHEET  
NO:  
04

## LEGENDS

-  MOTORCYCLE PARKING (PAVED AREA +100mm FROM GL)
-  RESTROOMS
-  SAND PLAY AEA
-  SPRING RIDERS
-  SEESAWS
-  MULTI ACTIVITY PLAYGROUND
-  SWING SET
-  ALLOCATED LAND FOR RESTAURANT DEVELOPMENT (954 sqft)  
(DESIGN TO BE SUBMITTED AND APPROVED FROM COUNCIL BY THE INVESTOR)
-  GAZEBO
-  BICYCLE PARKING AREA WITH SHADING
-  GATE
-  BENCH TYPE A
-  BENCH TYPE B
-  BENCH TYPE C
-  BENCH TYPE D
-  BENCH TYPE E
-  BENCH TYPE F
-  BENCH TYPE G
-  BUSHES
-  PAVED AREA (+200mm FROM GL)
-  PAVED AREA (+100mm FROM GL)
-  OUTDOOR PLAYGROUND MAT 1
-  OUTDOOR PLAYGROUND MAT 2
-  OUTDOOR PLAYGROUND MAT 3
-  ARTIFICIAL GRASS CARPETING
-  TREES
-  1200mm HIGH BOUNDARY WALL
-  2200mm HIGH BOUNDARY WALL
-  650mm HIGH BOUNDARY WALL



LAYOUT PLAN

SCALE 1:250

SECRETARIAT OF THE  
**NAIFARU  
COUNCIL**

PROJECT:  
KIDS' PLAYGROUND

DESIGNED BY:  
ISMAIL YAMAAN YOOSUF  
ARCHITECT  
NAIFARU COUNCIL

CHECKED BY:  
ASHHAM MOHAMED  
ASSISTANT DIRECTOR  
NAIFARU COUNCIL

APPROVED BY:  
MOHAMED RASHEED  
COUNCIL PRESIDENT  
NAIFARU COUNCIL

DATE:  
JULY 2021

DWG  
NO:  
03

SHEET  
NO:  
05



# GATE WAY

PROJECT:  
KIDS' PLAYGROUND

DESIGNED BY:  
ISMAIL YAMAAN YOOSUF  
ARCHITECT  
NAIFARU COUNCIL

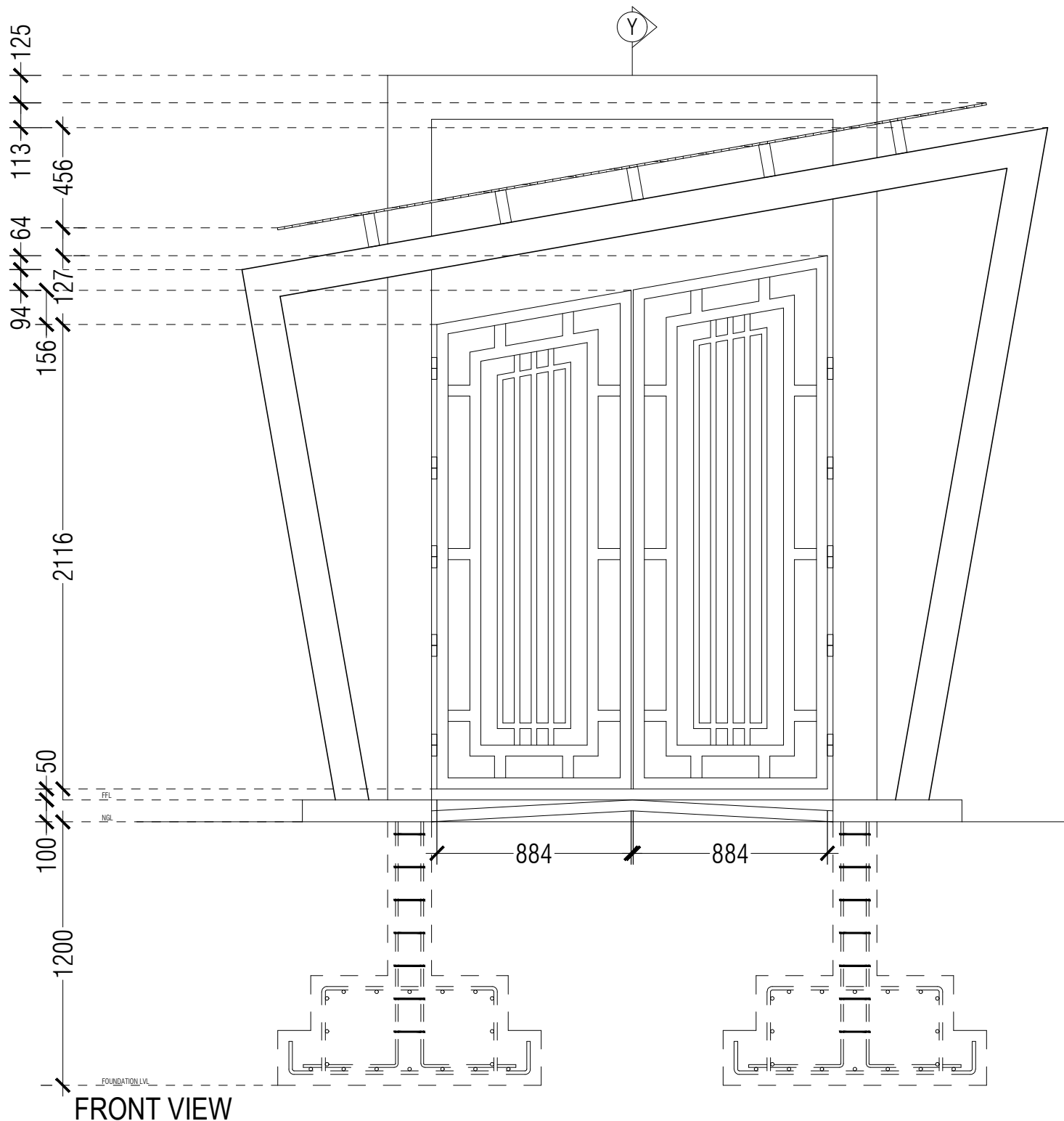
CHECKED BY:  
ASHHAM MOHAMED  
ASSISTANT DIRECTOR  
NAIFARU COUNCIL

APPROVED BY:  
MOHAMED RASHEED  
COUNCIL PRESIDENT  
NAIFARU COUNCIL

DATE:  
JULY 2021

DWG  
NO:  
04

SHEET  
NO:  
06



**GATE WAY**  
SCALE 1:25

**FRONT VIEW**

PROJECT:  
KIDS' PLAYGROUND

DESIGNED BY:  
ISMAIL YAMAAN YOOSUF  
ARCHITECT  
NAIFARU COUNCIL

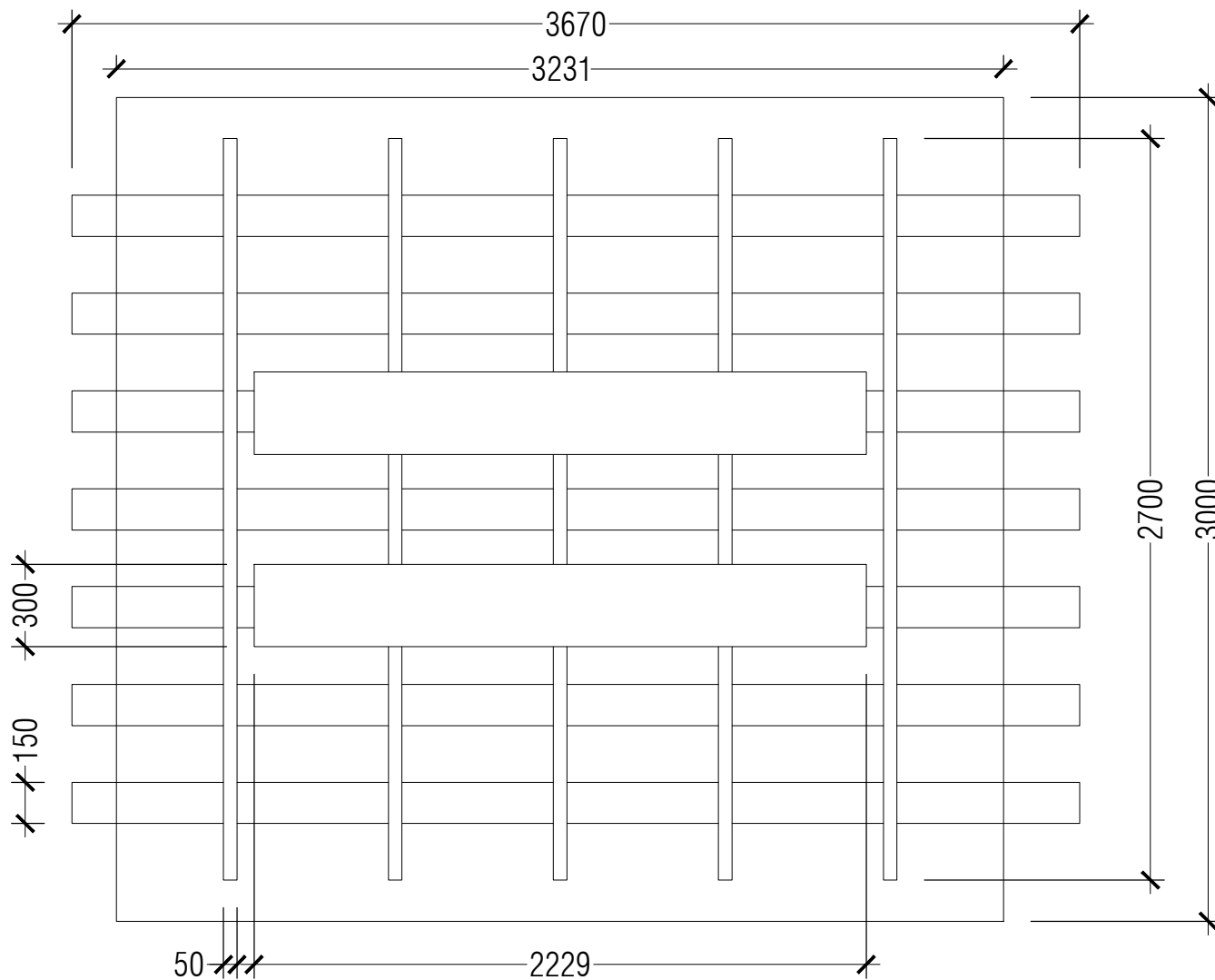
CHECKED BY:  
ASHHAM MOHAMED  
ASSISTANT DIRECTOR  
NAIFARU COUNCIL

APPROVED BY:  
MOHAMED RASHEED  
COUNCIL PRESIDENT  
NAIFARU COUNCIL

DATE:  
JULY 2021

DWG  
NO:  
05

SHEET  
NO:  
07



TOP VIEW

**GATE WAY**

SCALE 1:25

PROJECT:  
KIDS' PLAYGROUND

DESIGNED BY:  
ISMAIL YAMAAN YOOSUF  
ARCHITECT  
NAIFARU COUNCIL

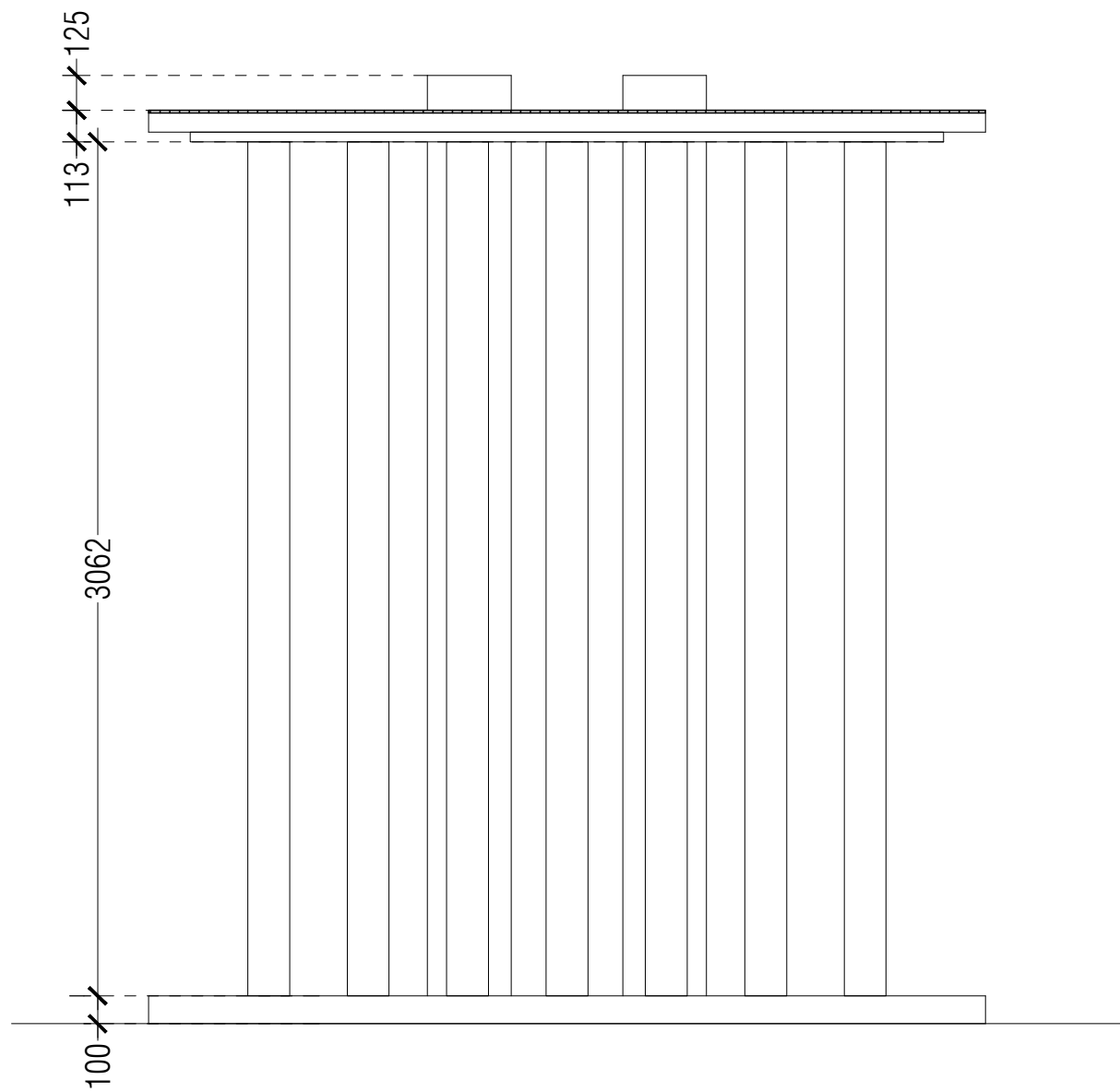
CHECKED BY:  
ASHHAM MOHAMED  
ASSISTANT DIRECTOR  
NAIFARU COUNCIL

APPROVED BY:  
MOHAMED RASHEED  
COUNCIL PRESIDENT  
NAIFARU COUNCIL

DATE:  
JULY 2021

DWG  
NO:  
06

SHEET  
NO:  
08



SIDE ELEVATION

**GATE WAY**

SCALE 1:25



PROJECT:  
KIDS' PLAYGROUND

DESIGNED BY:  
ISMAIL YAMAAN YOOSUF  
ARCHITECT  
NAIFARU COUNCIL

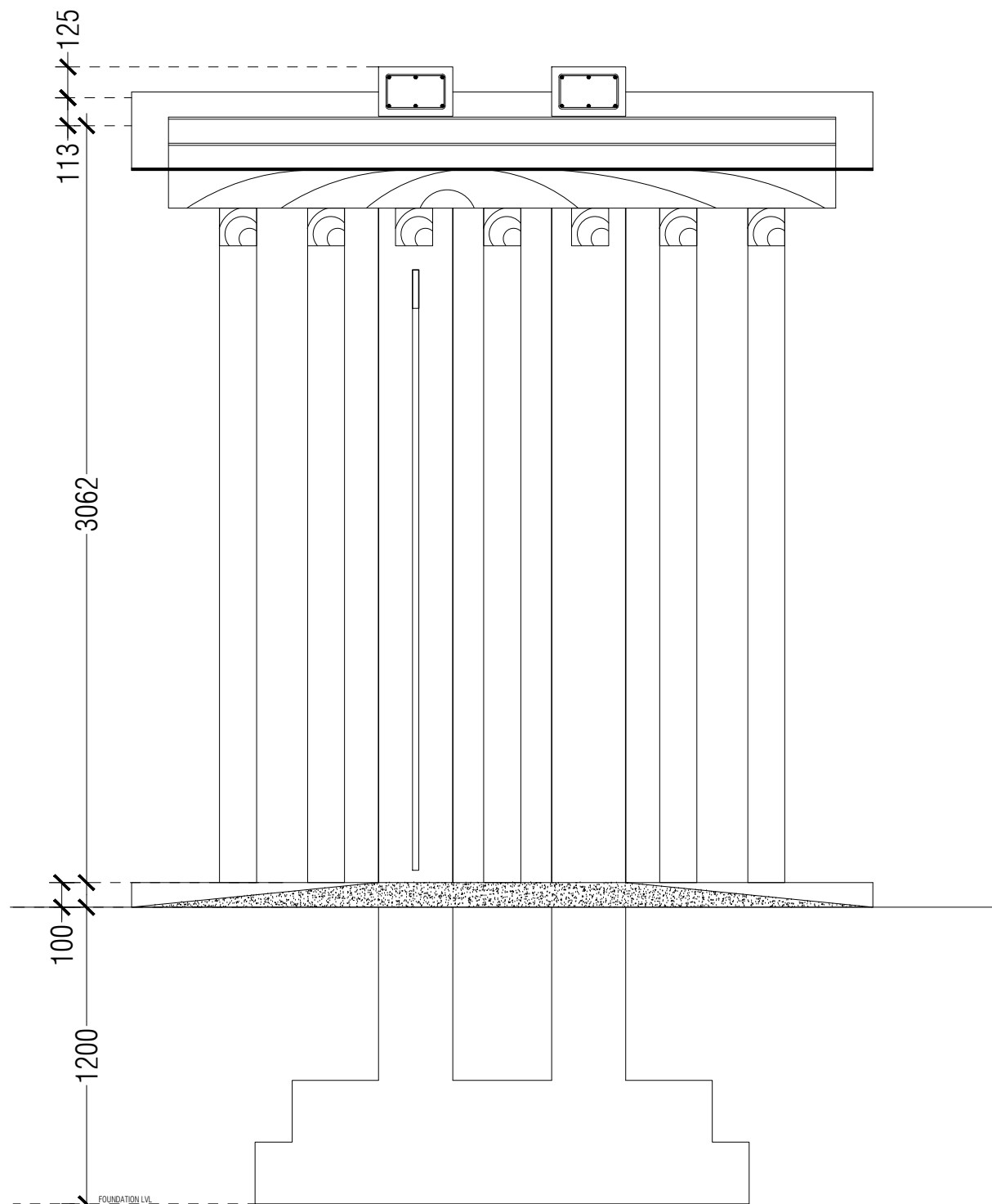
CHECKED BY:  
ASHHAM MOHAMED  
ASSISTANT DIRECTOR  
NAIFARU COUNCIL

APPROVED BY:  
MOHAMED RASHEED  
COUNCIL PRESIDENT  
NAIFARU COUNCIL

DATE:  
JULY 2021

DWG  
NO:  
07

SHEET  
NO:  
09



**GATE WAY**

SCALE 1:25

PROJECT:  
KIDS' PLAYGROUND

DESIGNED BY:  
ISMAIL YAMAAN YOOSUF  
ARCHITECT  
NAIFARU COUNCIL

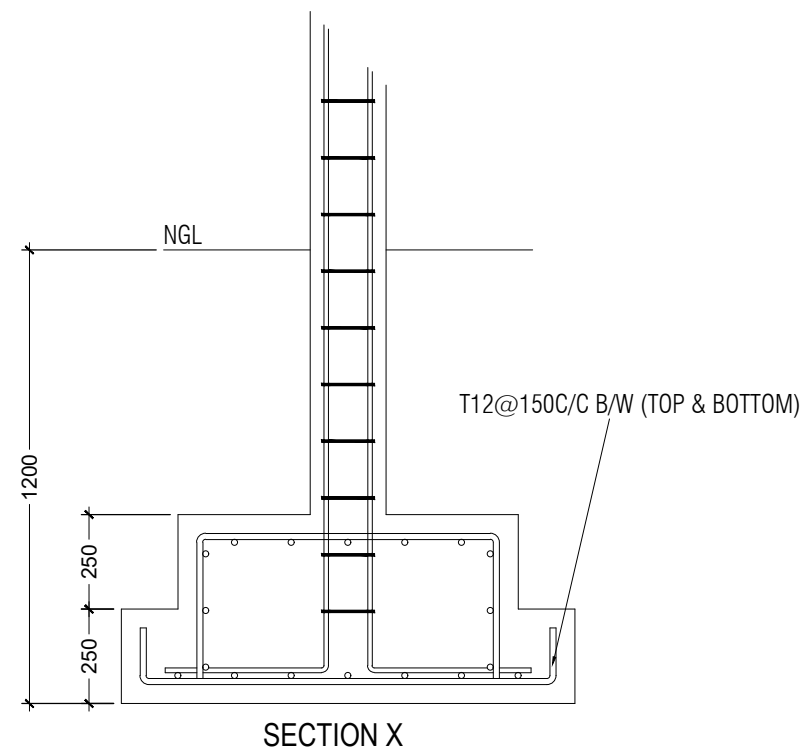
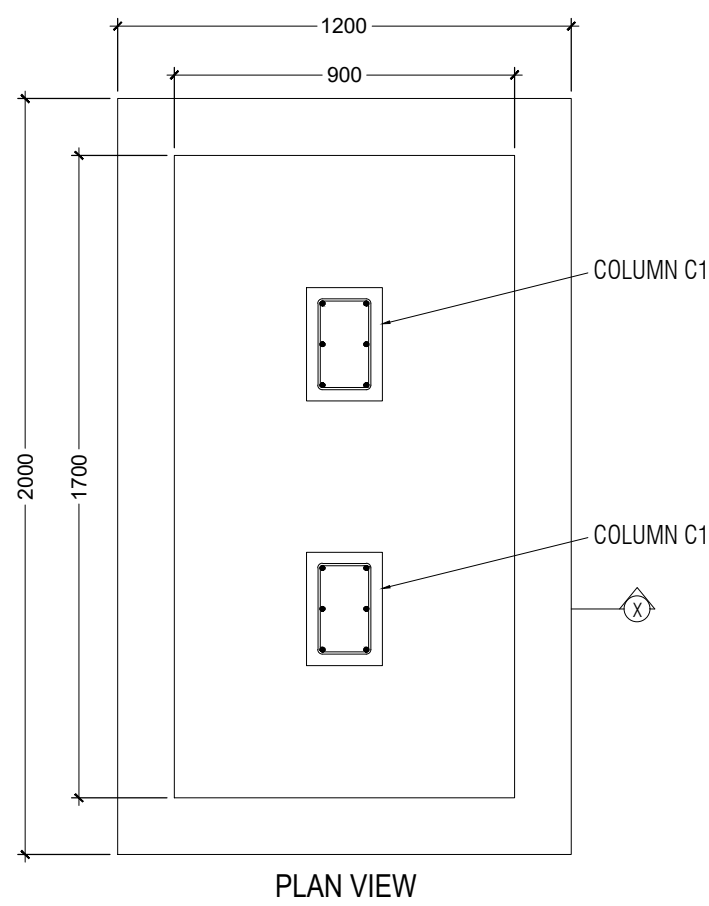
CHECKED BY:  
ASHHAM MOHAMED  
ASSISTANT DIRECTOR  
NAIFARU COUNCIL

APPROVED BY:  
MOHAMED RASHEED  
COUNCIL PRESIDENT  
NAIFARU COUNCIL

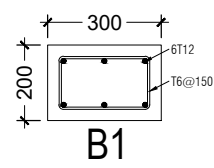
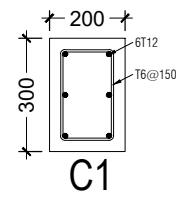
DATE:  
JULY 2021

DWG NO:  
08

SHEET NO:  
10



**STEPPED FOUNDATION**



**GATE WAY**

SCALE 1:20

SECRETARIAT OF THE  
**NAIFARU  
COUNCIL**

**PROJECT:**

KIDS' PLAYGROUND

**DESIGNED BY:**

ISMAIL YAMAAN YOOSUF  
ARCHITECT  
NAIFARU COUNCIL

**CHECKED BY:**

ASHHAM MOHAMED  
ASSISTANT DIRECTOR  
NAIFARU COUNCIL

**APPROVED BY:**

MOHAMED RASHEED  
COUNCIL PRESIDENT  
NAIFARU COUNCIL

**DATE:**

JULY 2021

DWG  
NO:  
09

SHEET  
NO:  
11

**GAZEBO**

PROJECT:  
KIDS' PLAYGROUND

DESIGNED BY:  
ISMAIL YAMAAN YOOSUF  
ARCHITECT  
NAIFARU COUNCIL

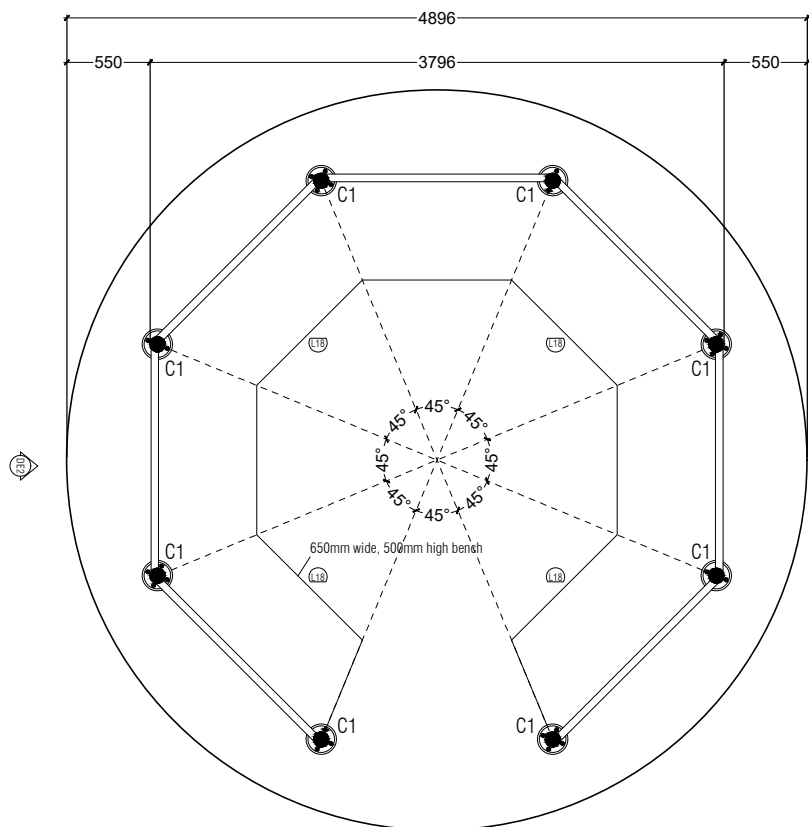
CHECKED BY:  
ASHHAM MOHAMED  
ASSISTANT DIRECTOR  
NAIFARU COUNCIL

APPROVED BY:  
MOHAMED RASHEED  
COUNCIL PRESIDENT  
NAIFARU COUNCIL

DATE:  
JULY 2021

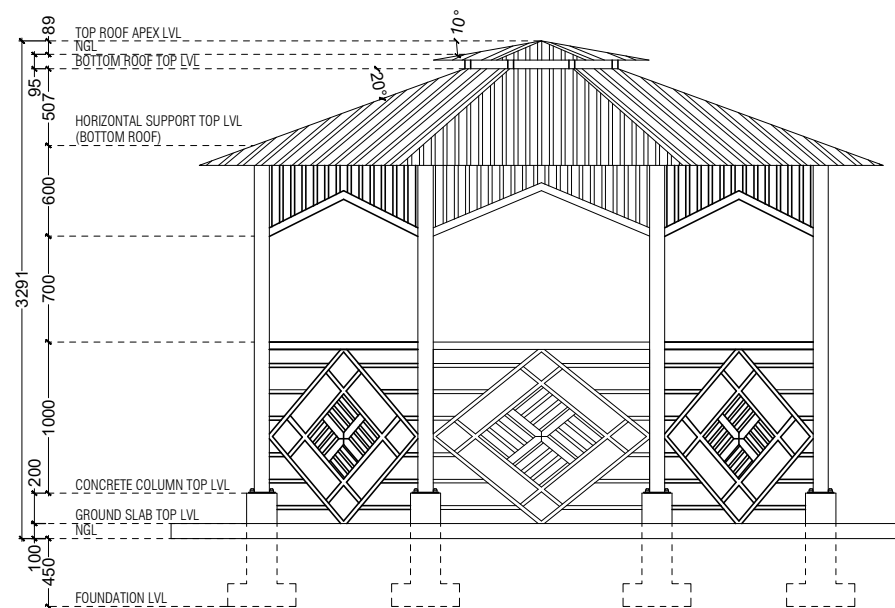
DWG  
NO:  
10

SHEET  
NO:  
12



(L18) WATERPROOF OUTDOOR 18W LED LIGHT

\*LIGHT CONTROLS TO BE FIXED AT STORE ROOM AT THE RESTROOMS AREA



ELEVATION E1

PLAN VIEW

**GAZEBO**

SCALE 1:50

PROJECT:  
KIDS' PLAYGROUND

DESIGNED BY:  
ISMAIL YAMAAN YOOSUF  
ARCHITECT  
NAIFARU COUNCIL

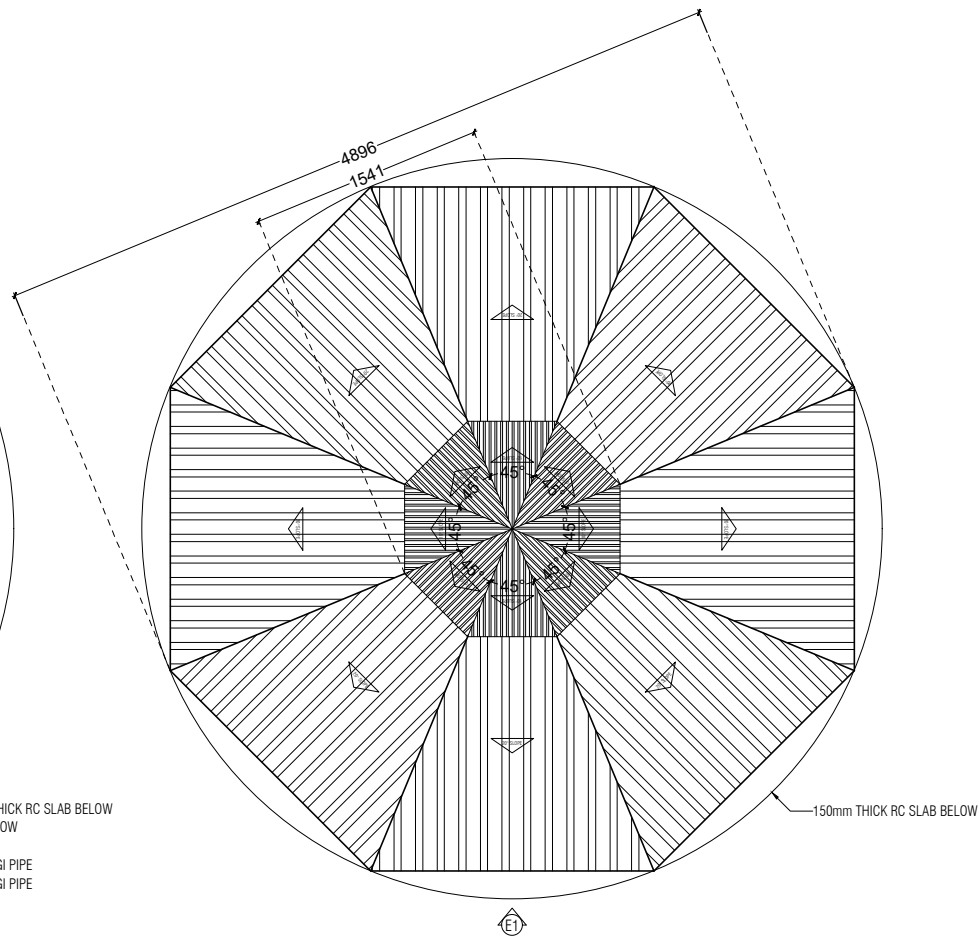
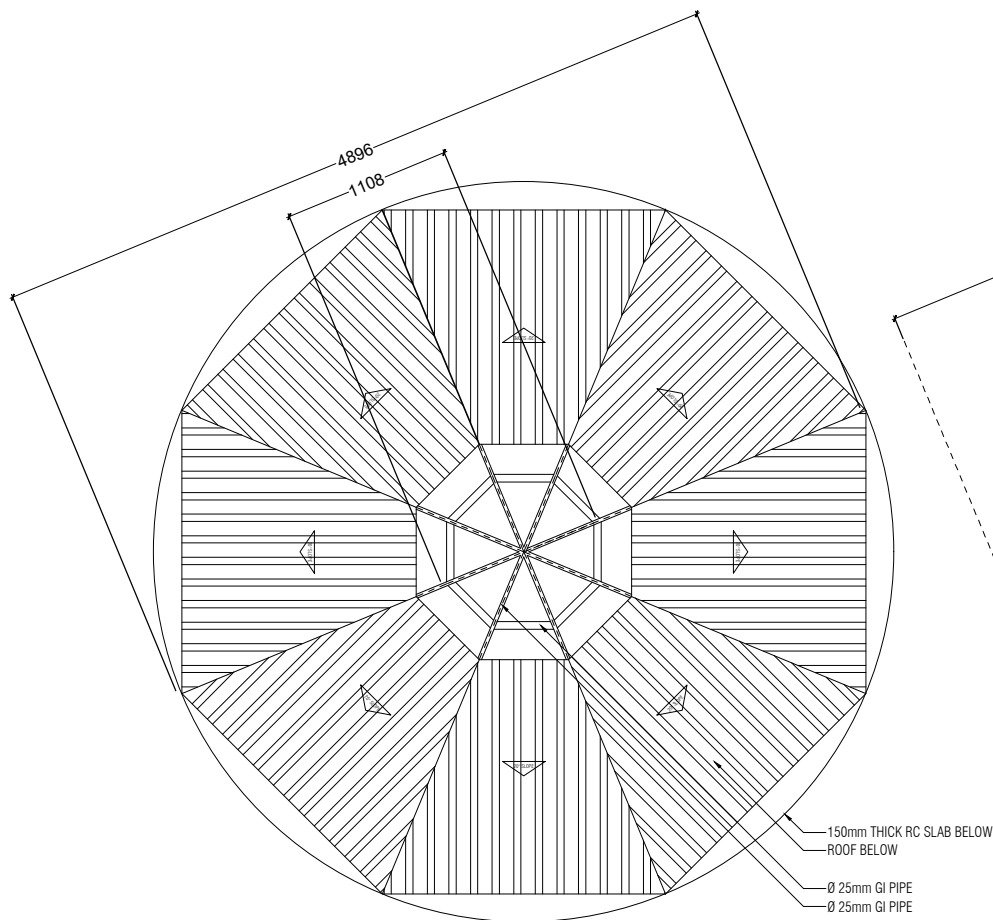
CHECKED BY:  
ASHHAM MOHAMED  
ASSISTANT DIRECTOR  
NAIFARU COUNCIL

APPROVED BY:  
MOHAMED RASHEED  
COUNCIL PRESIDENT  
NAIFARU COUNCIL

DATE:  
JULY 2021

DWG  
NO:  
11

SHEET  
NO:  
13



ROOF PLAN 1

ROOF PLAN 2

**GAZEBO**

SCALE 1:50

PROJECT:  
KIDS' PLAYGROUND

DESIGNED BY:  
ISMAIL YAMAAN YOOSUF  
ARCHITECT  
NAIFARU COUNCIL

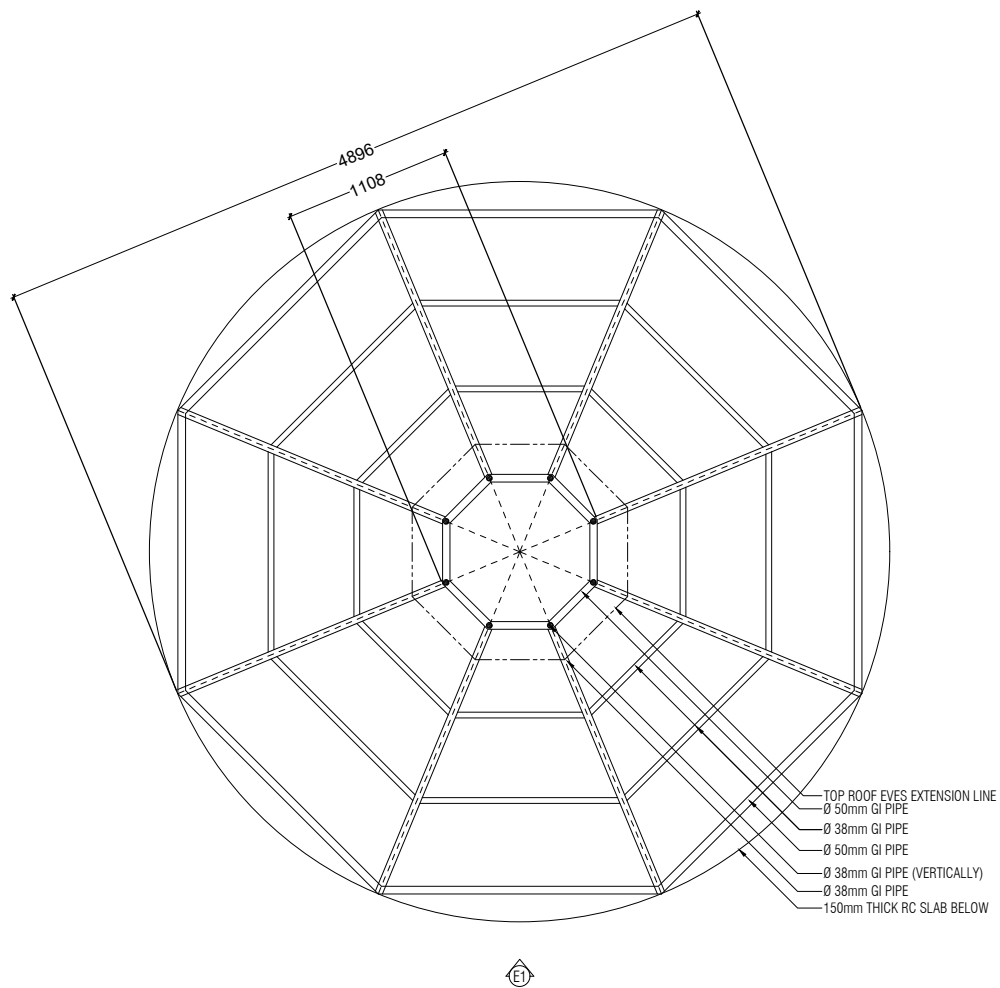
CHECKED BY:  
ASHHAM MOHAMED  
ASSISTANT DIRECTOR  
NAIFARU COUNCIL

APPROVED BY:  
MOHAMED RASHEED  
COUNCIL PRESIDENT  
NAIFARU COUNCIL

DATE:  
JULY 2021

DWG  
NO:  
12

SHEET  
NO:  
14



## ROOF STRUCTURE

## GAZEBO

SCALE 1:50

PROJECT:  
KIDS' PLAYGROUND

DESIGNED BY:  
ISMAIL YAMAAN YOOSUF  
ARCHITECT  
NAIFARU COUNCIL

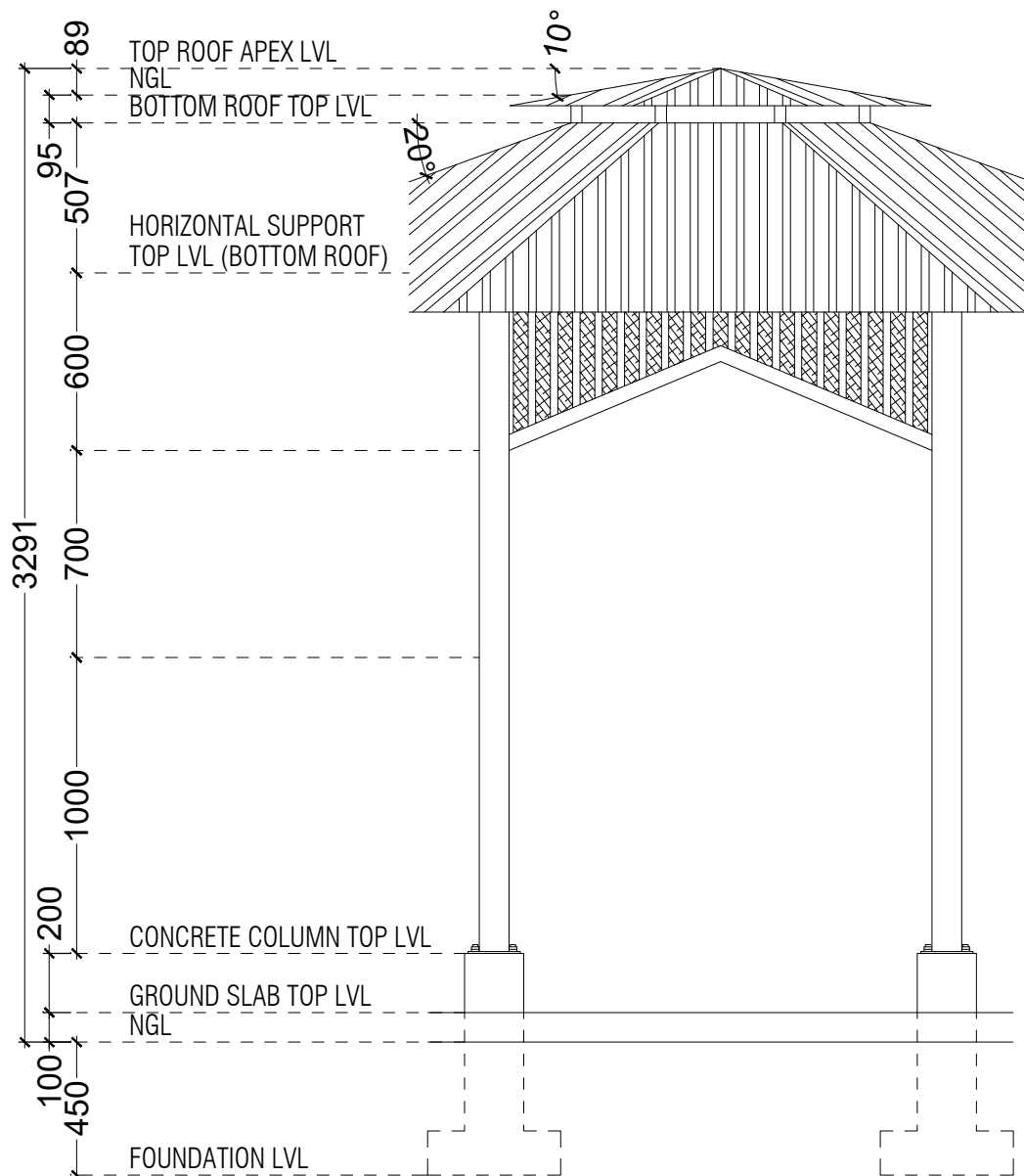
CHECKED BY:  
ASHHAM MOHAMED  
ASSISTANT DIRECTOR  
NAIFARU COUNCIL

APPROVED BY:  
MOHAMED RASHEED  
COUNCIL PRESIDENT  
NAIFARU COUNCIL

DATE:  
JULY 2021

DWG  
NO:  
13

SHEET  
NO:  
15



**DETAILED ELEVATION (DE1)**

**GZEBO (DETAILS)**

SCALE 1:25

PROJECT:  
KIDS' PLAYGROUND

DESIGNED BY:  
ISMAIL YAMAAN YOOSUF  
ARCHITECT  
NAIFARU COUNCIL

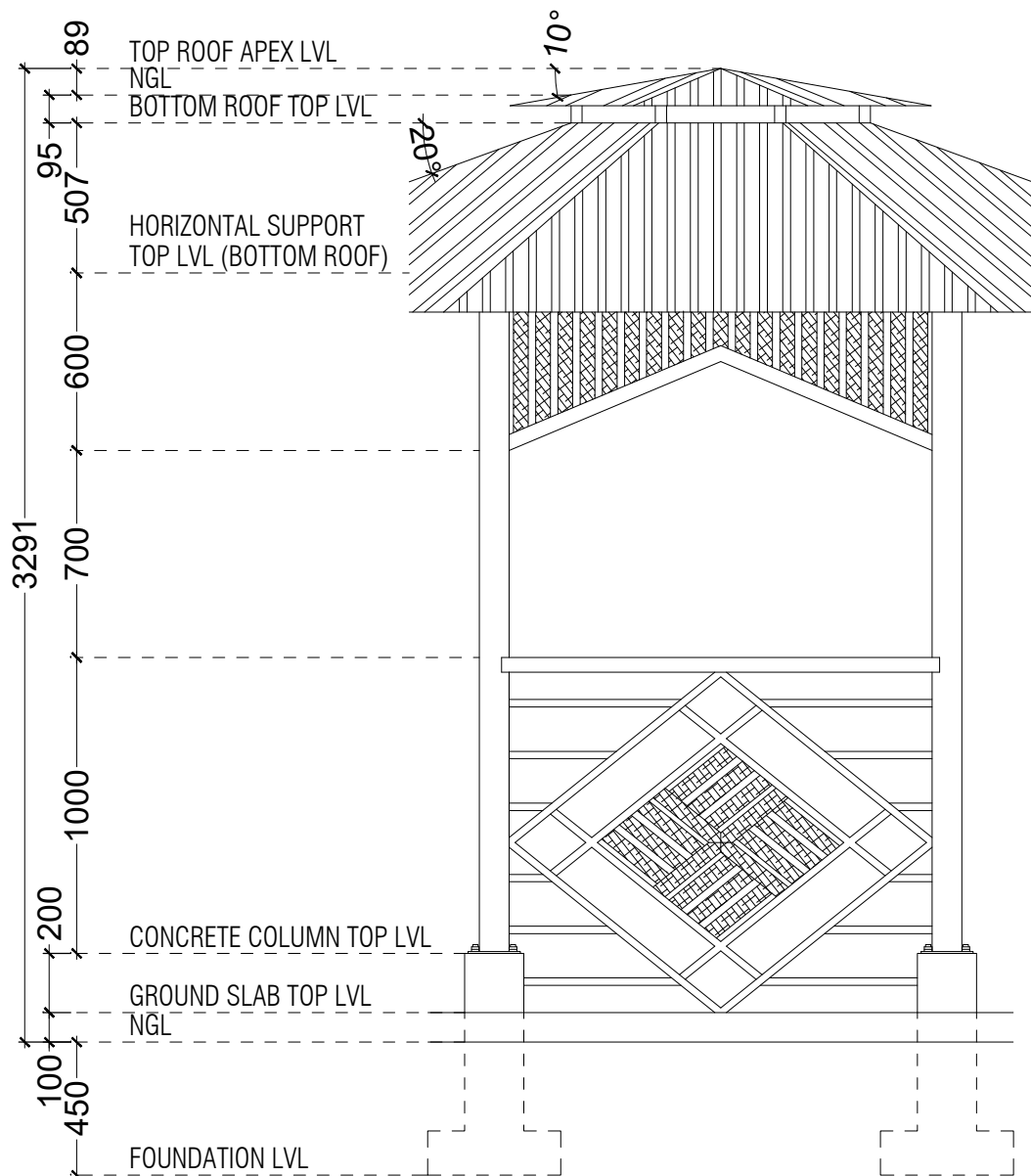
CHECKED BY:  
ASHHAM MOHAMED  
ASSISTANT DIRECTOR  
NAIFARU COUNCIL

APPROVED BY:  
MOHAMED RASHEED  
COUNCIL PRESIDENT  
NAIFARU COUNCIL

DATE:  
JULY 2021

DWG  
NO:  
14

SHEET  
NO:  
16



**DETAILED ELEVATION (DE2)**

**GZEBO (DETAILS)**

SCALE 1:25



PROJECT:  
KIDS' PLAYGROUND

DESIGNED BY:  
ISMAIL YAMAAN YOOSUF  
ARCHITECT  
NAIFARU COUNCIL

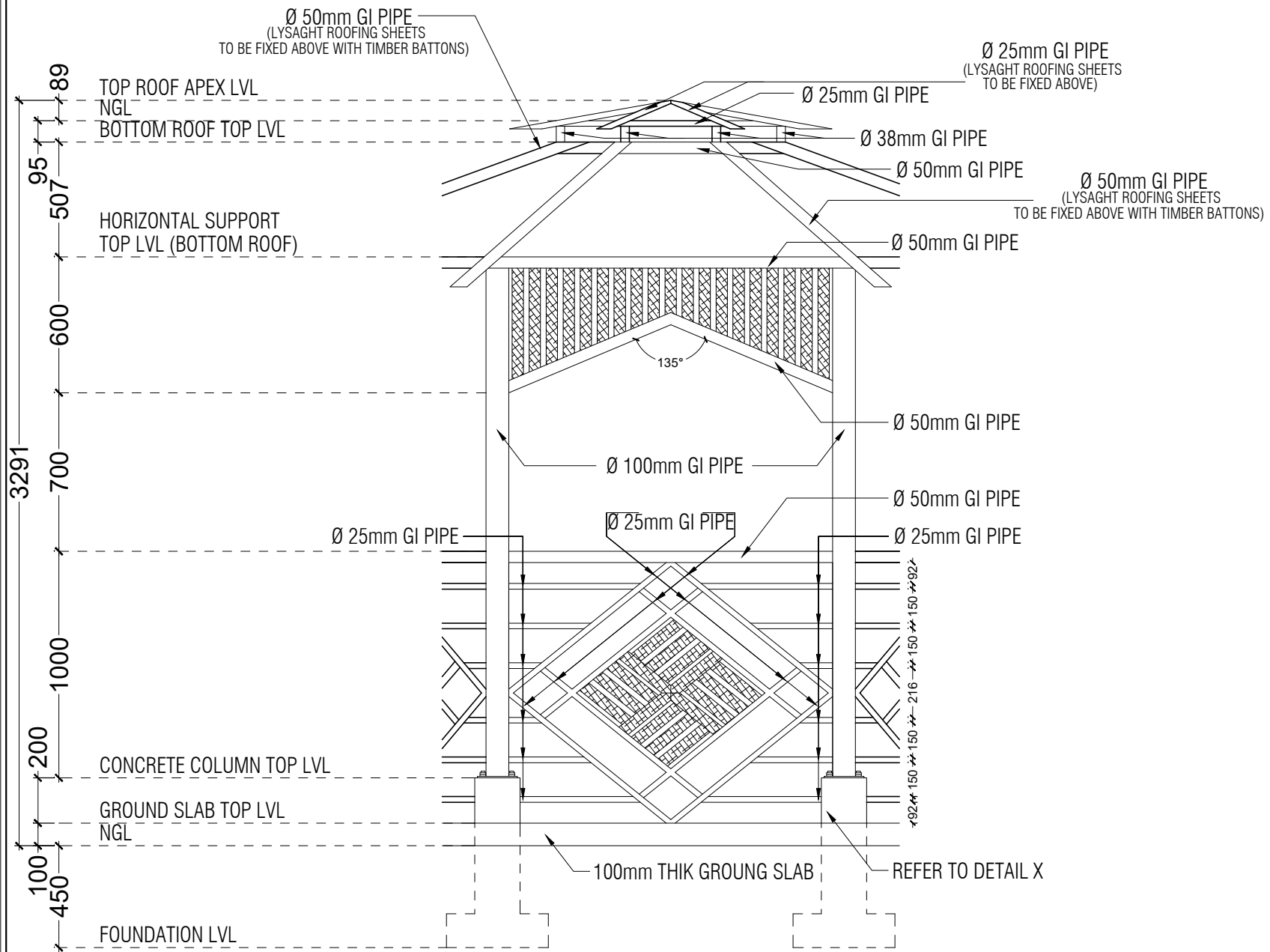
CHECKED BY:  
ASHHAM MOHAMED  
ASSISTANT DIRECTOR  
NAIFARU COUNCIL

APPROVED BY:  
MOHAMED RASHEED  
COUNCIL PRESIDENT  
NAIFARU COUNCIL

DATE:  
JULY 2021

DWG NO:  
15

SHEET NO:  
17



**STRUCTURAL DETAIL OF (DE1)**

**GZEBO (STRUCTURAL DETAILS)**

SCALE 1:25

PROJECT:  
KIDS' PLAYGROUND

DESIGNED BY:  
ISMAIL YAMAAN YOOSUF  
ARCHITECT  
NAIFARU COUNCIL

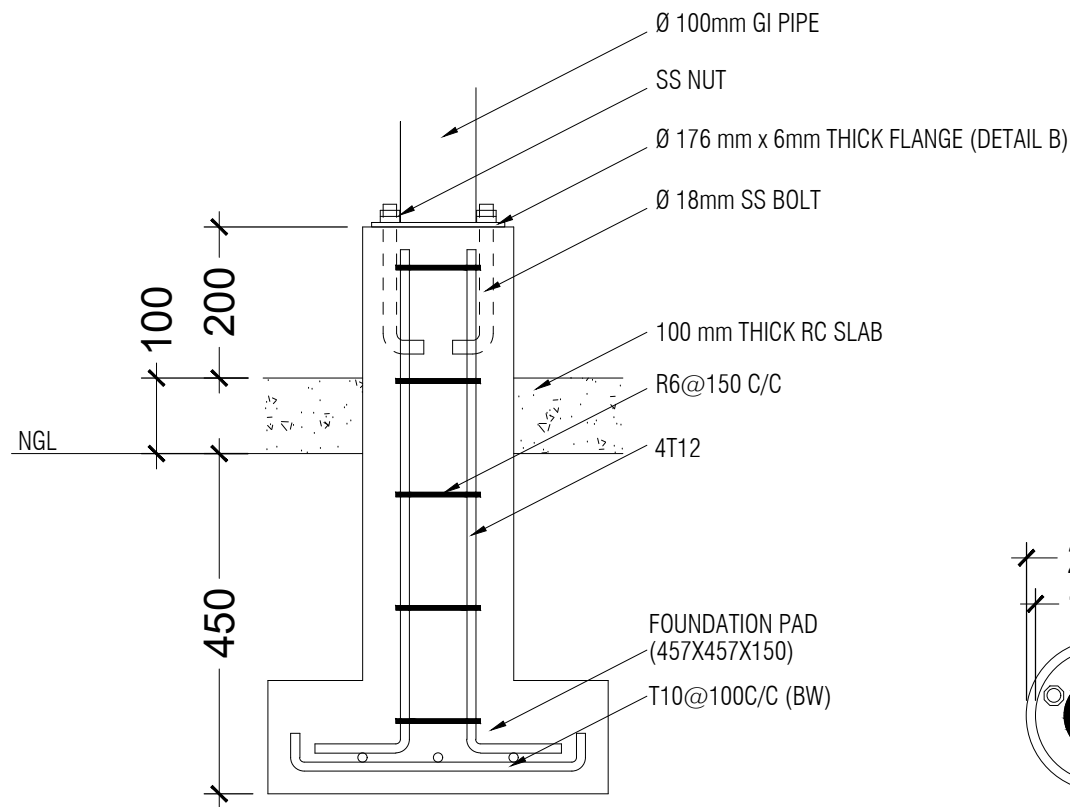
CHECKED BY:  
ASHHAM MOHAMED  
ASSISTANT DIRECTOR  
NAIFARU COUNCIL

APPROVED BY:  
MOHAMED RASHEED  
COUNCIL PRESIDENT  
NAIFARU COUNCIL

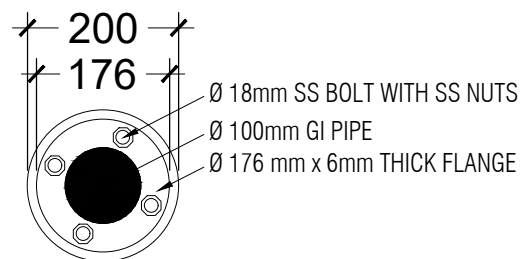
DATE:  
JULY 2021

DWG  
NO:  
16

SHEET  
NO:  
18



DETAIL X



DETAIL B

SECRETARIAT OF THE  
**NAIFARU  
COUNCIL**

PROJECT:  
KIDS' PLAYGROUND

DESIGNED BY:  
ISMAIL YAMAAN YOOSUF  
ARCHITECT  
NAIFARU COUNCIL

CHECKED BY:  
ASHHAM MOHAMED  
ASSISTANT DIRECTOR  
NAIFARU COUNCIL

APPROVED BY:  
MOHAMED RASHEED  
COUNCIL PRESIDENT  
NAIFARU COUNCIL

DATE:  
JULY 2021

DWG  
NO:  
17

SHEET  
NO:  
19

# RESTROOMS

PROJECT:  
KIDS' PLAYGROUND

DESIGNED BY:  
ISMAIL YAMAAN YOOSUF  
ARCHITECT  
NAIFARU COUNCIL

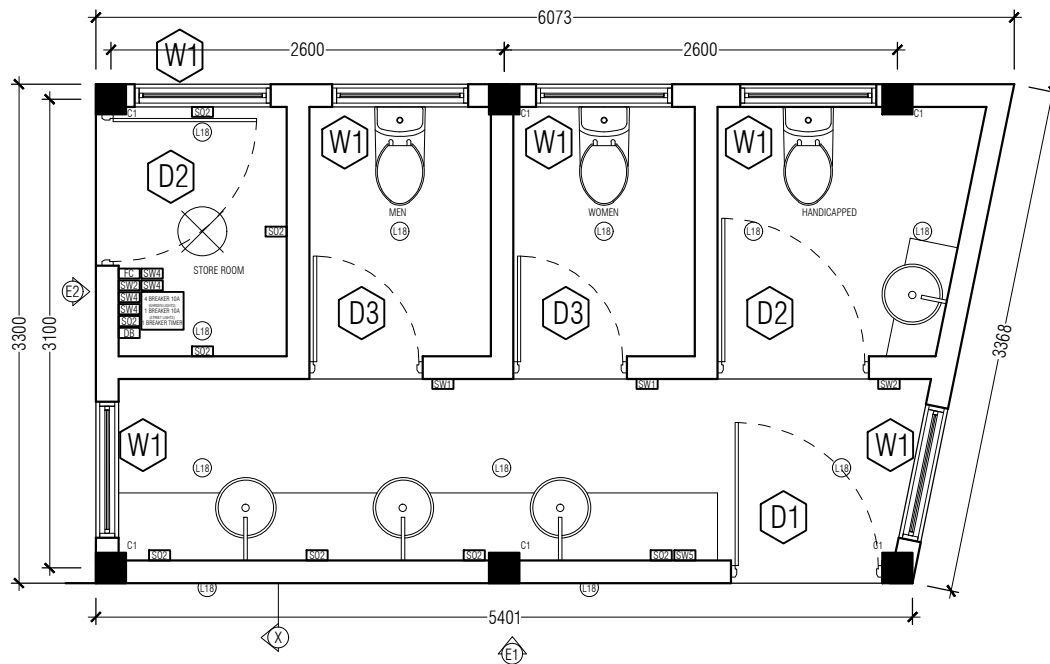
CHECKED BY:  
ASHHAM MOHAMED  
ASSISTANT DIRECTOR  
NAIFARU COUNCIL

APPROVED BY:  
MOHAMED RASHEED  
COUNCIL PRESIDENT  
NAIFARU COUNCIL

DATE:  
JULY 2021

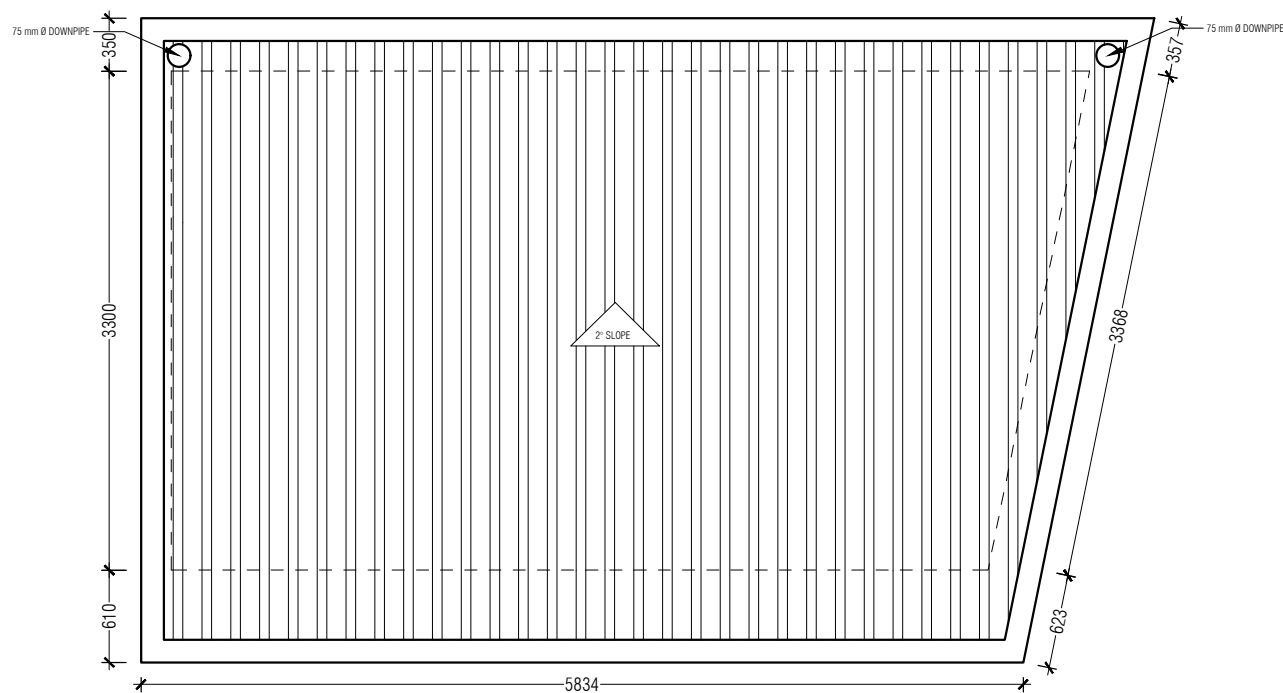
DWG  
NO:  
18

SHEET  
NO:  
20



- D01** DISTRIBUTION BOARD
- F01** FAN CONTROLLER
- S001** SINGLE GANG SWITCH
- S002** DOUBLE GANG SWITCH
- S003** FOUR GANG SWITCH
- S004** FIVE GANG SWITCH
- S005** DOUBLE SOCKET
- L18** CEILING MOUNT 18W LED LIGHT
- C1** CEILING MOUNT FAN
- L19** WATERPROOF OUTDOOR 18W LED LIGHT

FLOOR PLAN



ROOF PLAN

RESTROOMS

SCALE 1:50

PROJECT:  
KIDS' PLAYGROUND

DESIGNED BY:  
ISMAIL YAMAAN YOOSUF  
ARCHITECT  
NAIFARU COUNCIL

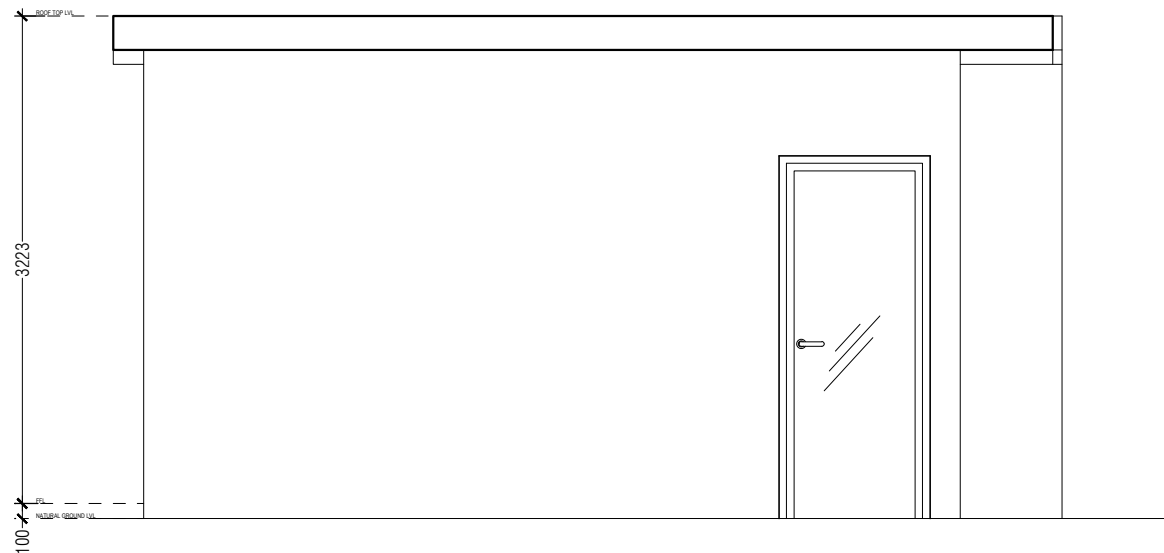
CHECKED BY:  
ASHHAM MOHAMED  
ASSISTANT DIRECTOR  
NAIFARU COUNCIL

APPROVED BY:  
MOHAMED RASHEED  
COUNCIL PRESIDENT  
NAIFARU COUNCIL

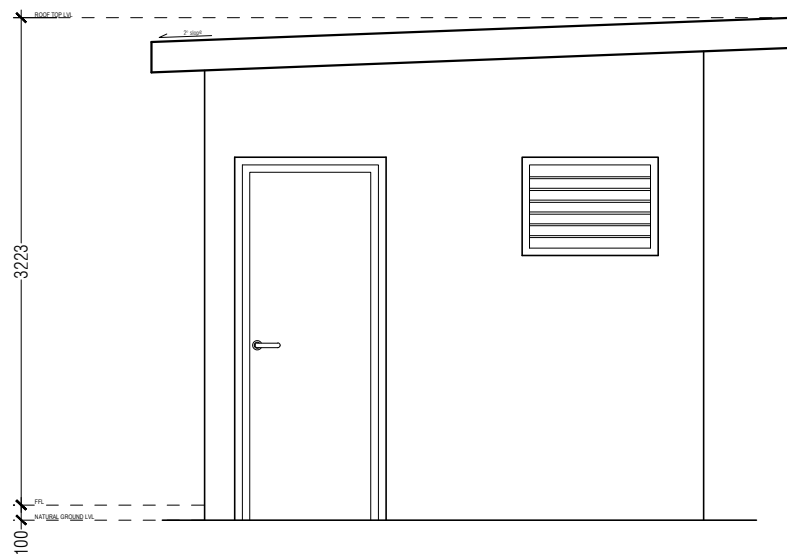
DATE:  
JULY 2021

DWG  
NO:  
19

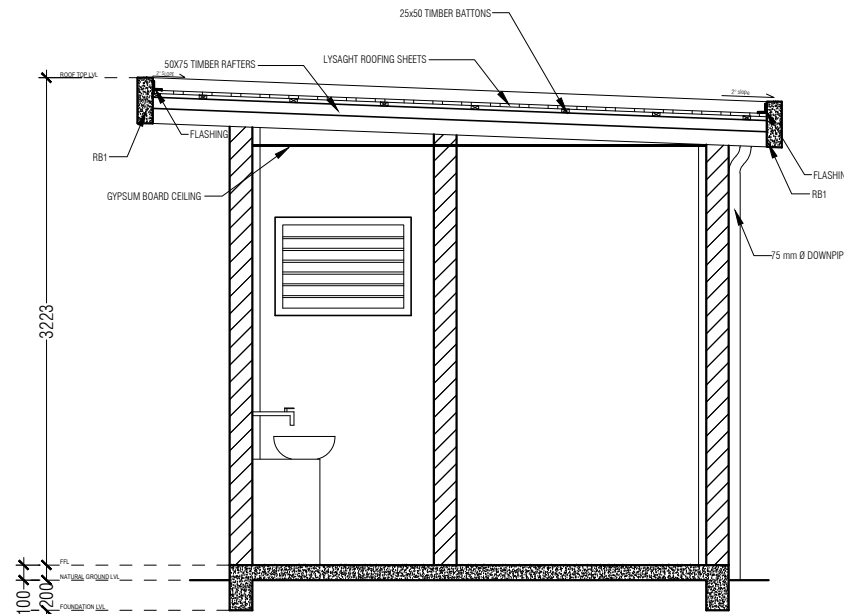
SHEET  
NO:  
21



ELEVATION E1



ELEVATION E2



SECTION X

RESTROOMS

SCALE 1:50

PROJECT:  
KIDS' PLAYGROUND

DESIGNED BY:  
ISMAIL YAMAAN YOOSUF  
ARCHITECT  
NAIFARU COUNCIL

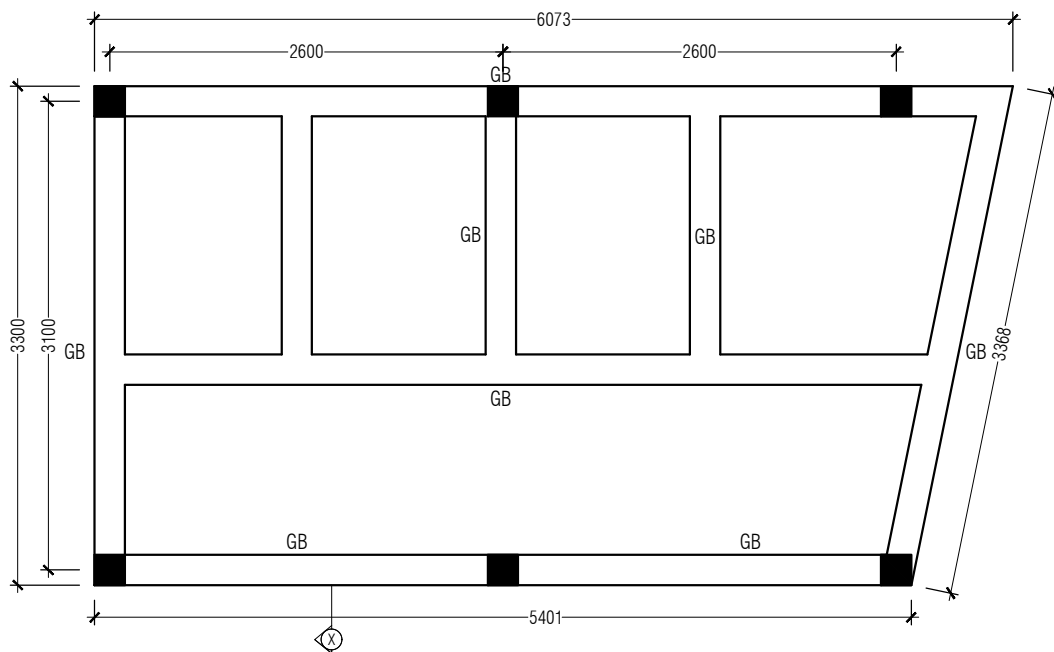
CHECKED BY:  
ASHHAM MOHAMED  
ASSISTANT DIRECTOR  
NAIFARU COUNCIL

APPROVED BY:  
MOHAMED RASHEED  
COUNCIL PRESIDENT  
NAIFARU COUNCIL

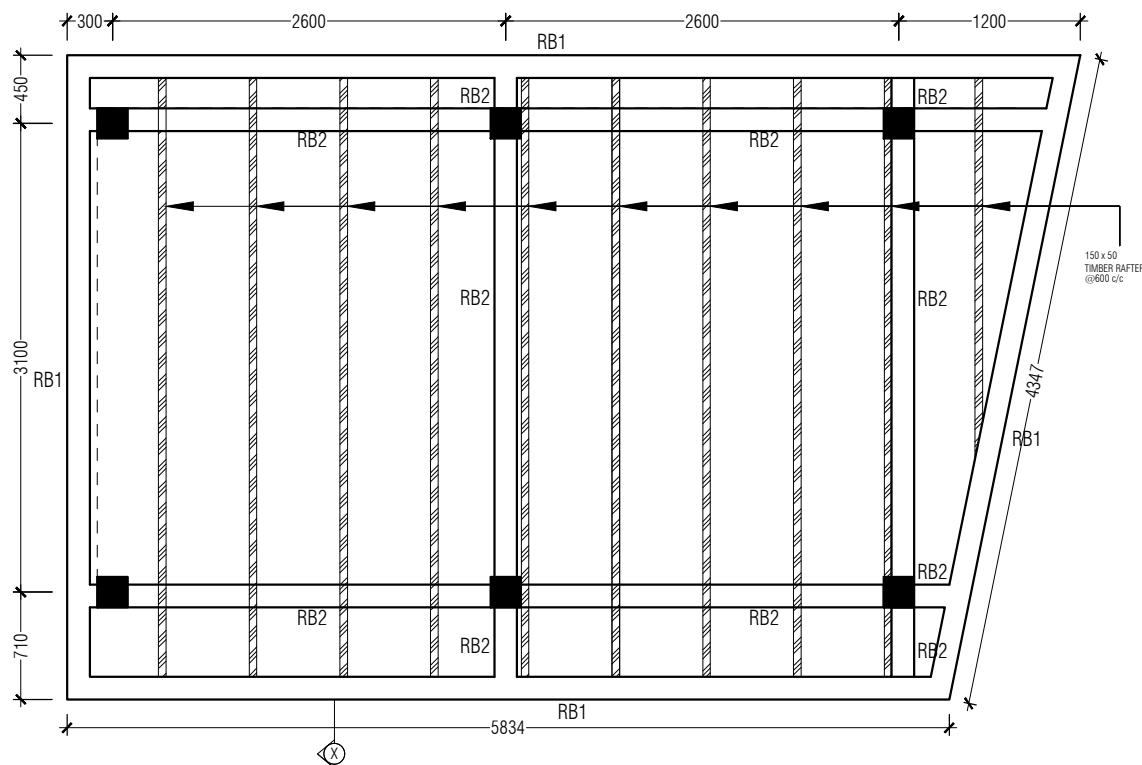
DATE:  
JULY 2021

DWG  
NO:  
20

SHEET  
NO:  
22



FOUNDATION PLAN



ROOF STRUCTURE PLAN

RESTROOMS

SCALE 1:50

PROJECT:  
KIDS' PLAYGROUND

DESIGNED BY:  
ISMAIL YAMAAN YOOSUF  
ARCHITECT  
NAIFARU COUNCIL

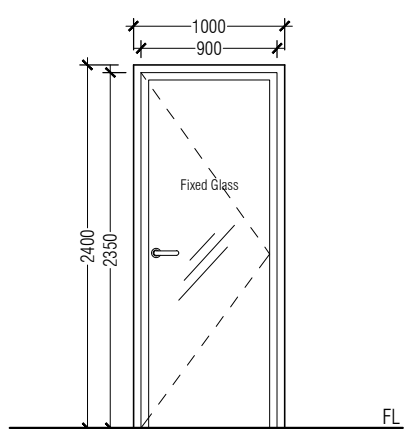
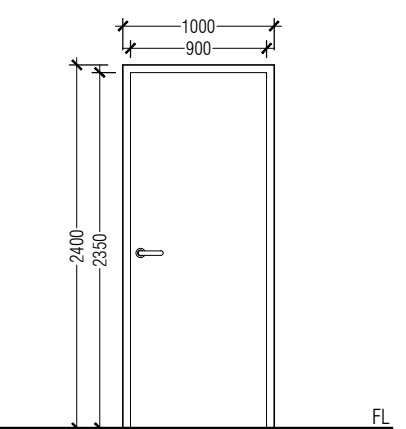
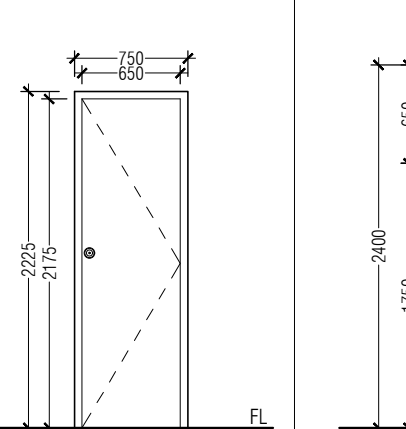
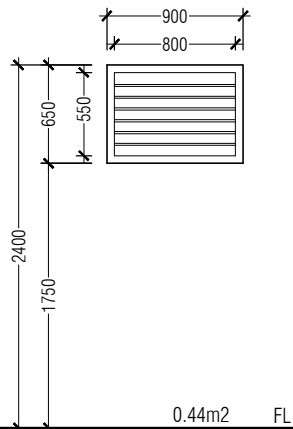
CHECKED BY:  
ASHHAM MOHAMED  
ASSISTANT DIRECTOR  
NAIFARU COUNCIL

APPROVED BY:  
MOHAMED RASHEED  
COUNCIL PRESIDENT  
NAIFARU COUNCIL

DATE:  
JULY 2021

DWG  
NO:  
21

SHEET  
NO:  
23

SYMBOL	D1	D2	D3	W1
ELEVATION				
FRAME & PANEL	25 Micro Anodized Natural Aluminium Framed Door w/ 6mm thk. Fixed Glass Panels	Fiber Glass Jam Door and Leaf	Fiber Glass Jam Door and Leaf	25 Micron Anodized Natural Aluminium Louvered Window
QUANTITY	01 Nos	02 Nos	02 Nos	06 Nos

\*CHECK ALL MEASUREMENTS ON SITE BEFORE FABRICATION

## DOOR WINDOW SCHEDULE

RESTROOMS

SCALE 1:50

PROJECT:  
KIDS' PLAYGROUND

DESIGNED BY:  
ISMAIL YAMAAN YOOSUF  
ARCHITECT  
NAIFARU COUNCIL

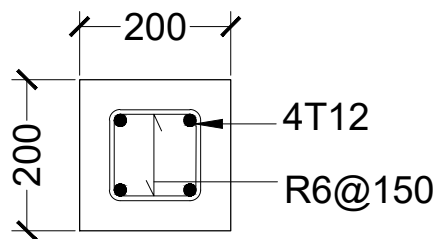
CHECKED BY:  
ASHHAM MOHAMED  
ASSISTANT DIRECTOR  
NAIFARU COUNCIL

APPROVED BY:  
MOHAMED RASHEED  
COUNCIL PRESIDENT  
NAIFARU COUNCIL

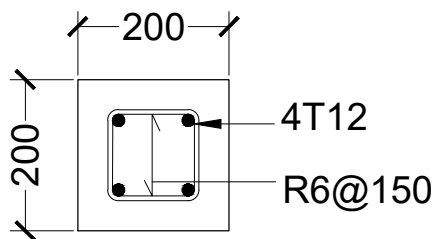
DATE:  
JULY 2021

DWG  
NO:  
22

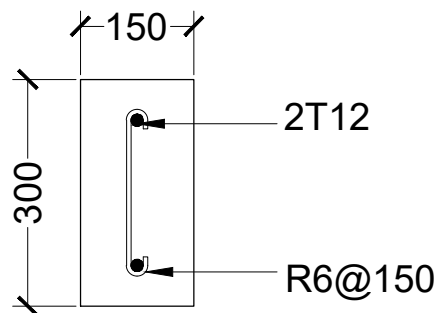
SHEET  
NO:  
24



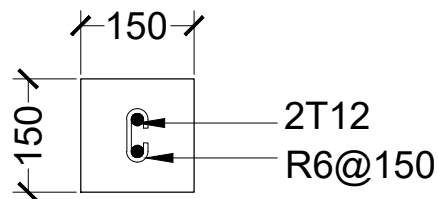
**C1**



**GB**



**RB1**



**RB2**



SECRETARIAT OF THE  
**NAIFARU  
COUNCIL**

**PROJECT:**  
KIDS' PLAYGROUND

**DESIGNED BY:**  
ISMAIL YAMAAN YOOSUF  
ARCHITECT  
NAIFARU COUNCIL

**CHECKED BY:**  
ASHHAM MOHAMED  
ASSISTANT DIRECTOR  
NAIFARU COUNCIL

**APPROVED BY:**  
MOHAMED RASHEED  
COUNCIL PRESIDENT  
NAIFARU COUNCIL

**DATE:**  
JULY 2021

**DWG  
NO:**  
23

**SHEET  
NO:**  
25



# BENCH TYPE A

PROJECT:  
KIDS' PLAYGROUND

DESIGNED BY:  
ISMAIL YAMAAN YOOSUF  
ARCHITECT  
NAIFARU COUNCIL

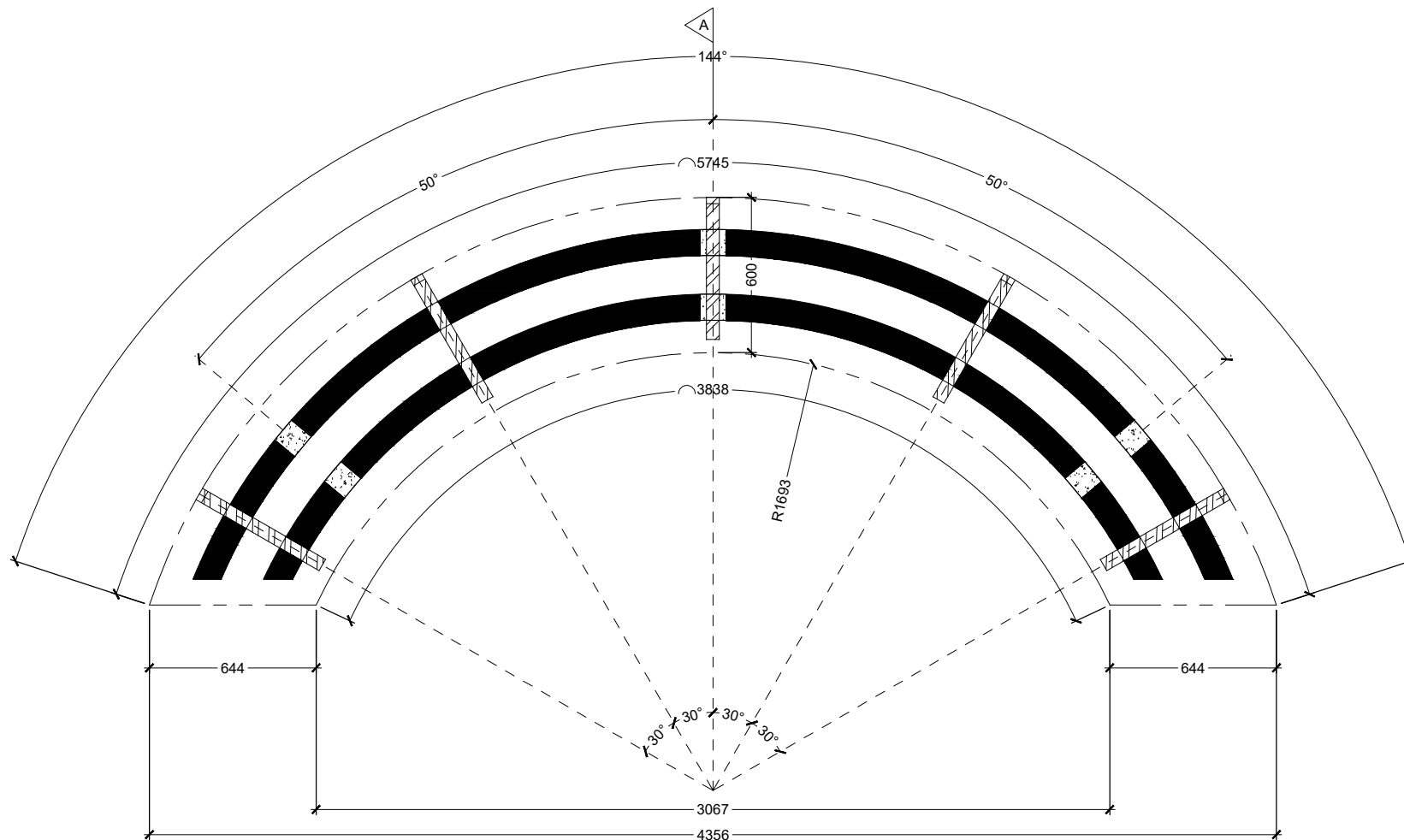
CHECKED BY:  
ASHHAM MOHAMED  
ASSISTANT DIRECTOR  
NAIFARU COUNCIL

APPROVED BY:  
MOHAMED RASHEED  
COUNCIL PRESIDENT  
NAIFARU COUNCIL

DATE:  
JULY 2021

DWG  
NO:  
24

SHEET  
NO:  
26



- BEAM (B1)
- COLUMN (C1)
- 25x50 SQUARE METAL HOLLOW BAR FRAME (MIN 3MM THICKNESS)
- OUTER LINES OF BENCH

**BENCH TYPE A (STRUCTURAL DETAILS)**

SCALE 1:25

PROJECT:  
KIDS' PLAYGROUND

DESIGNED BY:  
ISMAIL YAMAAN YOOSUF  
ARCHITECT  
NAIFARU COUNCIL

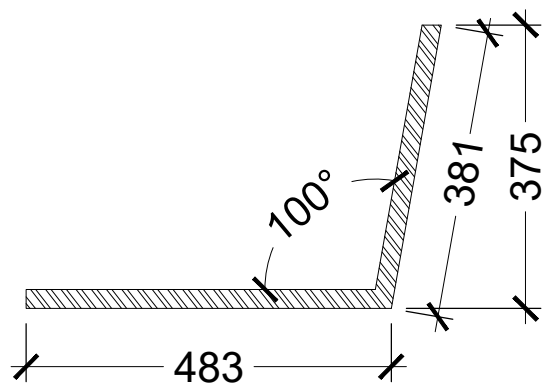
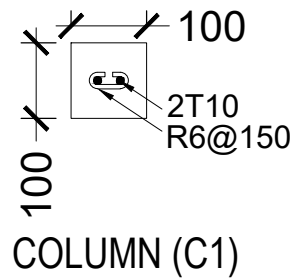
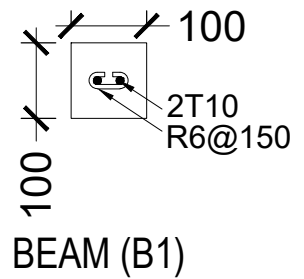
CHECKED BY:  
ASHHAM MOHAMED  
ASSISTANT DIRECTOR  
NAIFARU COUNCIL

APPROVED BY:  
MOHAMED RASHEED  
COUNCIL PRESIDENT  
NAIFARU COUNCIL

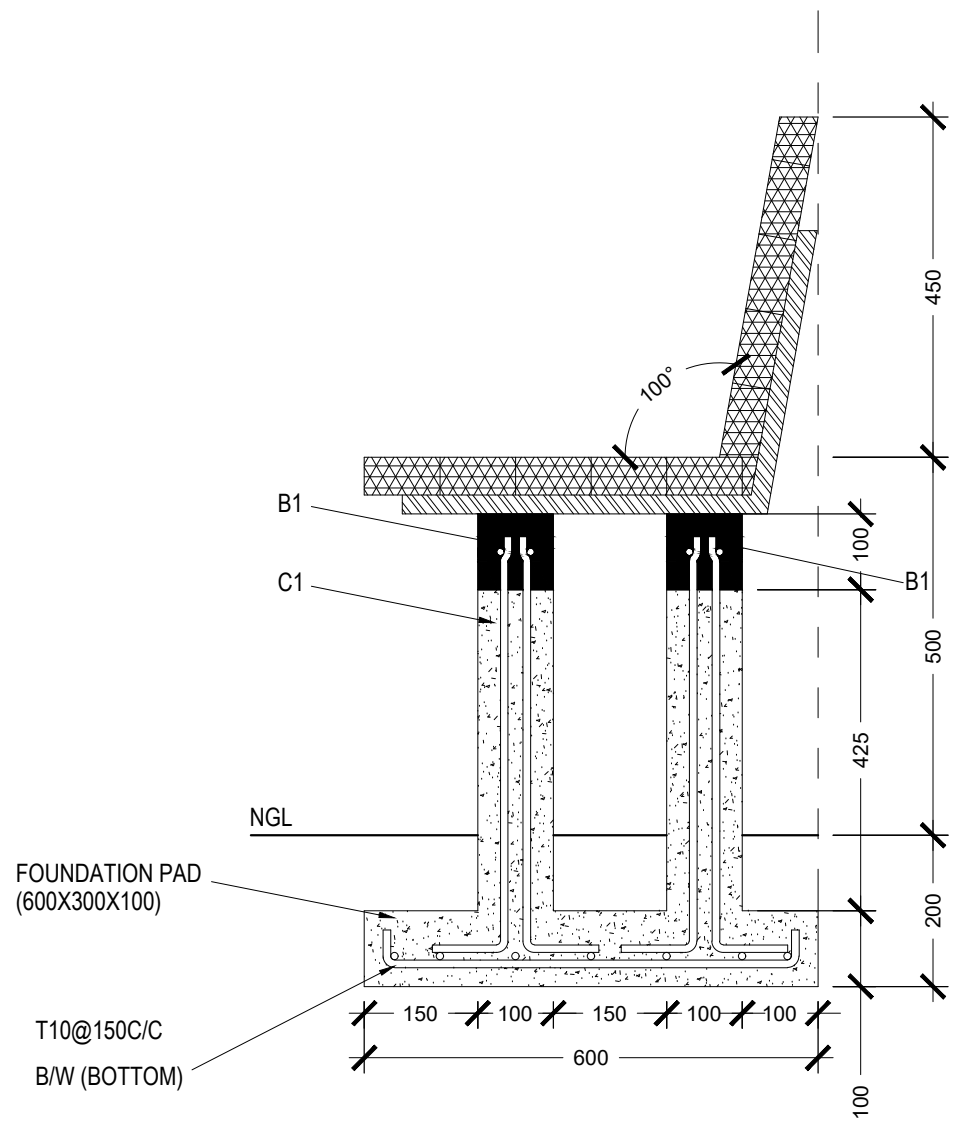
DATE:  
JULY 2021

DWG NO:  
25

SHEET NO:  
27



25x50 SQUARE METAL HOLLOW BAR FRAME  
(MIN 3MM THICKNESS)



SECTION A

- BEAM (B1)
- COLUMN (C1)
- 25x50 SQUARE METAL HOLLOW BAR FRAME (MIN 3MM THICKNESS)
- 100x50 TIMBER

**BENCH TYPE A (STRUCTURAL DETAILS)**

SCALE 1:10

SECRETARIAT OF THE  
**NAIFARU  
COUNCIL**

PROJECT:  
KIDS' PLAYGROUND

DESIGNED BY:  
ISMAIL YAMAAN YOOSUF  
ARCHITECT  
NAIFARU COUNCIL

CHECKED BY:  
ASHHAM MOHAMED  
ASSISTANT DIRECTOR  
NAIFARU COUNCIL

APPROVED BY:  
MOHAMED RASHEED  
COUNCIL PRESIDENT  
NAIFARU COUNCIL

DATE:  
JULY 2021

DWG  
NO:  
26

SHEET  
NO:  
28



# BENCH TYPE B

PROJECT:  
KIDS' PLAYGROUND

DESIGNED BY:  
ISMAIL YAMAAN YOOSUF  
ARCHITECT  
NAIFARU COUNCIL

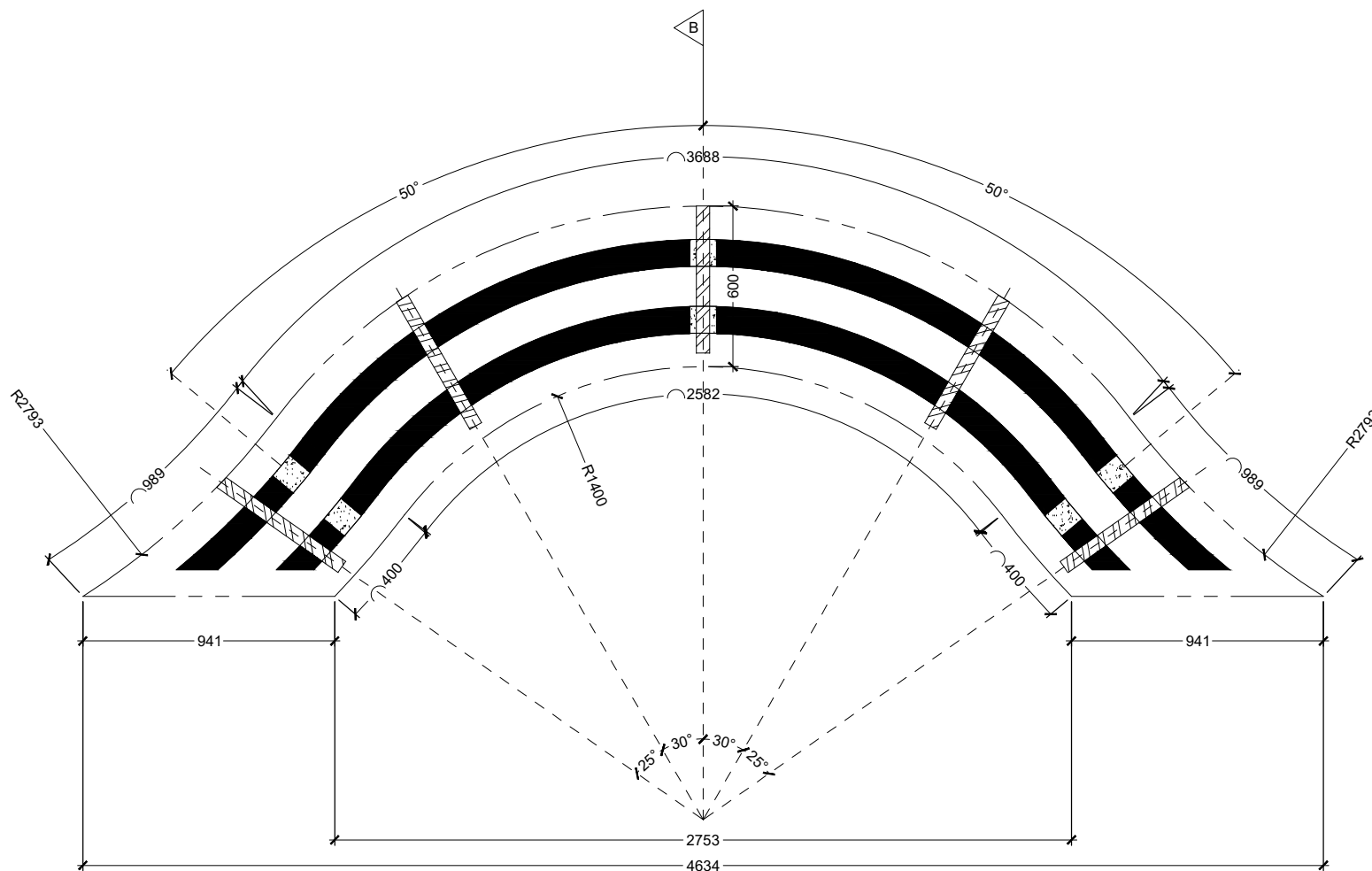
CHECKED BY:  
ASHHAM MOHAMED  
ASSISTANT DIRECTOR  
NAIFARU COUNCIL

APPROVED BY:  
MOHAMED RASHEED  
COUNCIL PRESIDENT  
NAIFARU COUNCIL

DATE:  
JULY 2021

DWG  
NO:  
27

SHEET  
NO:  
29



- BEAM (B1)
- COLUMN (C1)
- 25x50 SQUARE METAL HOLLOW BAR (MIN 3MM THICKNESS)
- OUTER LINES OF BENCH

**BENCH TYPE B (STRUCTURAL DETAILS)**

SCALE 1:25

PROJECT:  
KIDS' PLAYGROUND

DESIGNED BY:  
ISMAIL YAMAAN YOOSUF  
ARCHITECT  
NAIFARU COUNCIL

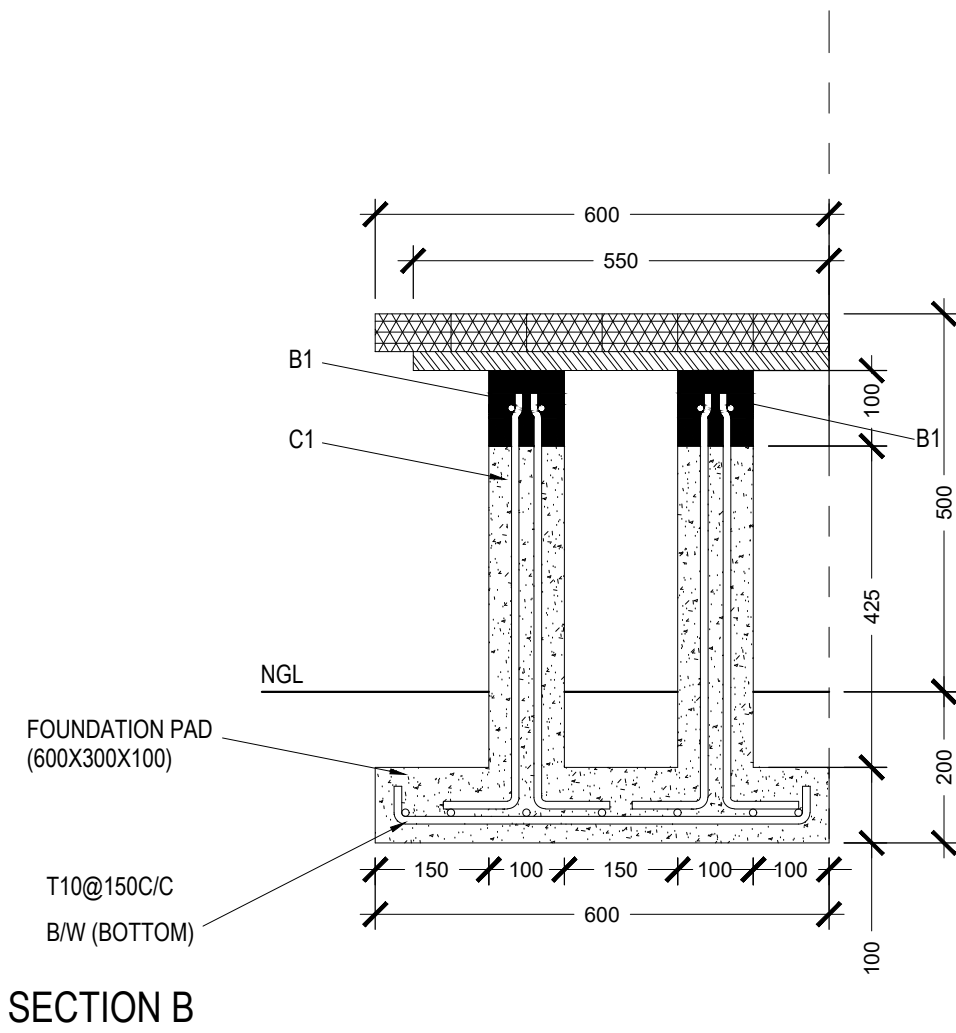
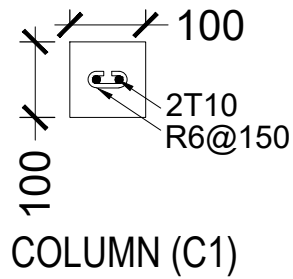
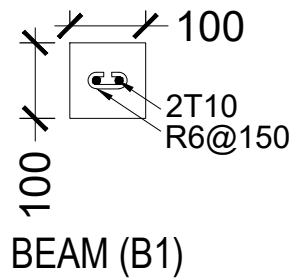
CHECKED BY:  
ASHHAM MOHAMED  
ASSISTANT DIRECTOR  
NAIFARU COUNCIL

APPROVED BY:  
MOHAMED RASHEED  
COUNCIL PRESIDENT  
NAIFARU COUNCIL

DATE:  
JULY 2021

DWG NO:  
28

SHEET NO:  
30



SECTION B

- BEAM (B1)
- COLUMN (C1)
- 25x50 SQUARE METAL HOLLOW BAR (MIN 3MM THICKNESS)
- 100x50 TIMBER

**BENCH TYPE B (STRUCTURAL DETAILS)**

SCALE 1:10

SECRETARIAT OF THE  
**NAIFARU  
COUNCIL**

PROJECT:  
KIDS' PLAYGROUND

DESIGNED BY:  
ISMAIL YAMAAN YOOSUF  
ARCHITECT  
NAIFARU COUNCIL

CHECKED BY:  
ASHHAM MOHAMED  
ASSISTANT DIRECTOR  
NAIFARU COUNCIL

APPROVED BY:  
MOHAMED RASHEED  
COUNCIL PRESIDENT  
NAIFARU COUNCIL

DATE:  
JULY 2021

DWG  
NO:  
29

SHEET  
NO:  
31



**BENCH TYPE C**

PROJECT:  
KIDS' PLAYGROUND

DESIGNED BY:  
ISMAIL YAMAAN YOOSUF  
ARCHITECT  
NAIFARU COUNCIL

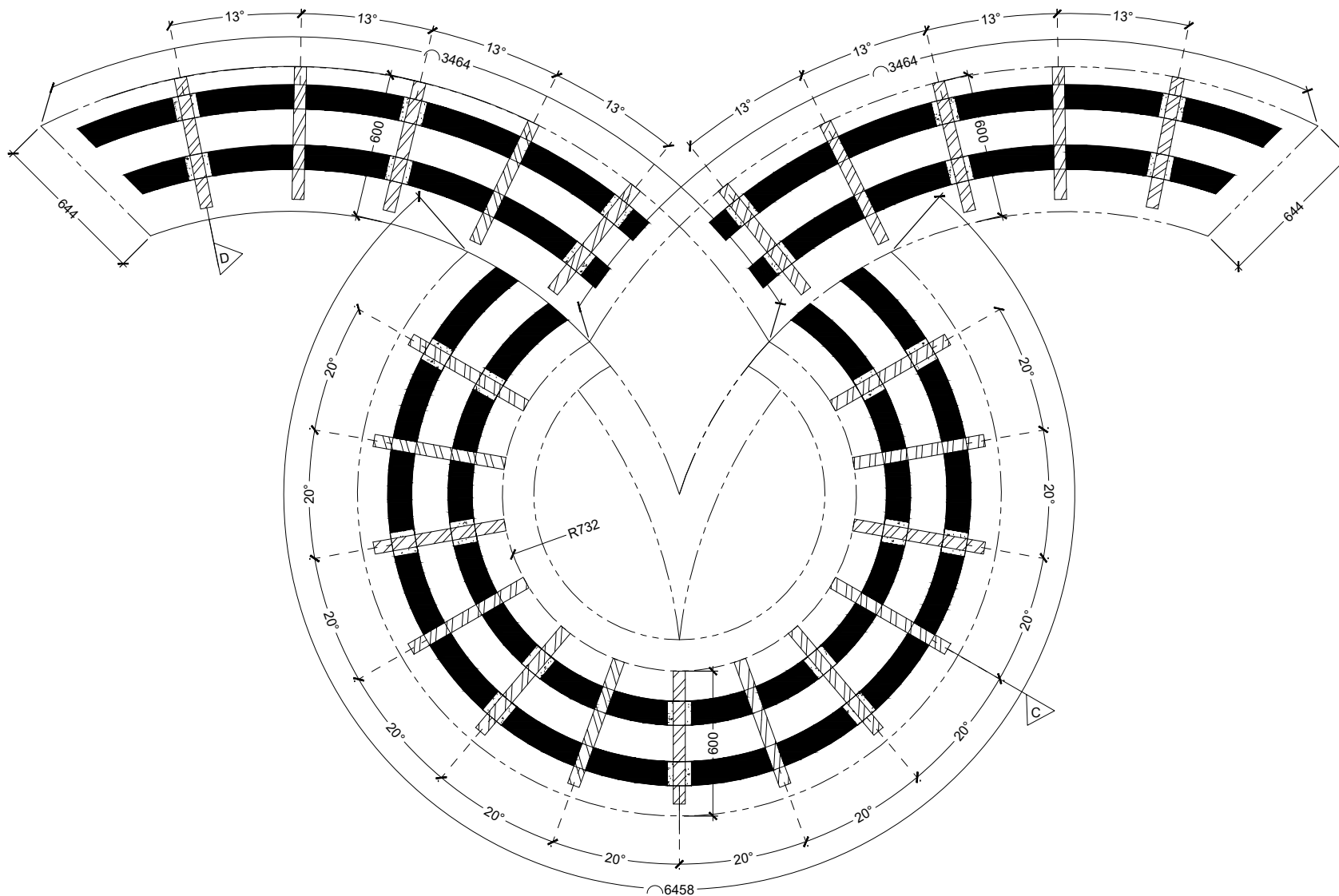
CHECKED BY:  
ASHHAM MOHAMED  
ASSISTANT DIRECTOR  
NAIFARU COUNCIL

APPROVED BY:  
MOHAMED RASHEED  
COUNCIL PRESIDENT  
NAIFARU COUNCIL

DATE:  
JULY 2021

DWG  
NO:  
30

SHEET  
NO:  
32



- BEAM (B1)
- COLUMN (C1)
- 25x50 SQUARE METAL HOLLOW BAR (MIN 3MM THICKNESS)
- OUTER LINES OF BENCH

**BENCH TYPE C (STRUCTURAL DETAILS)**

SCALE 1:25



PROJECT:  
KIDS' PLAYGROUND

DESIGNED BY:  
ISMAIL YAMAAN YOOSUF  
ARCHITECT  
NAIFARU COUNCIL

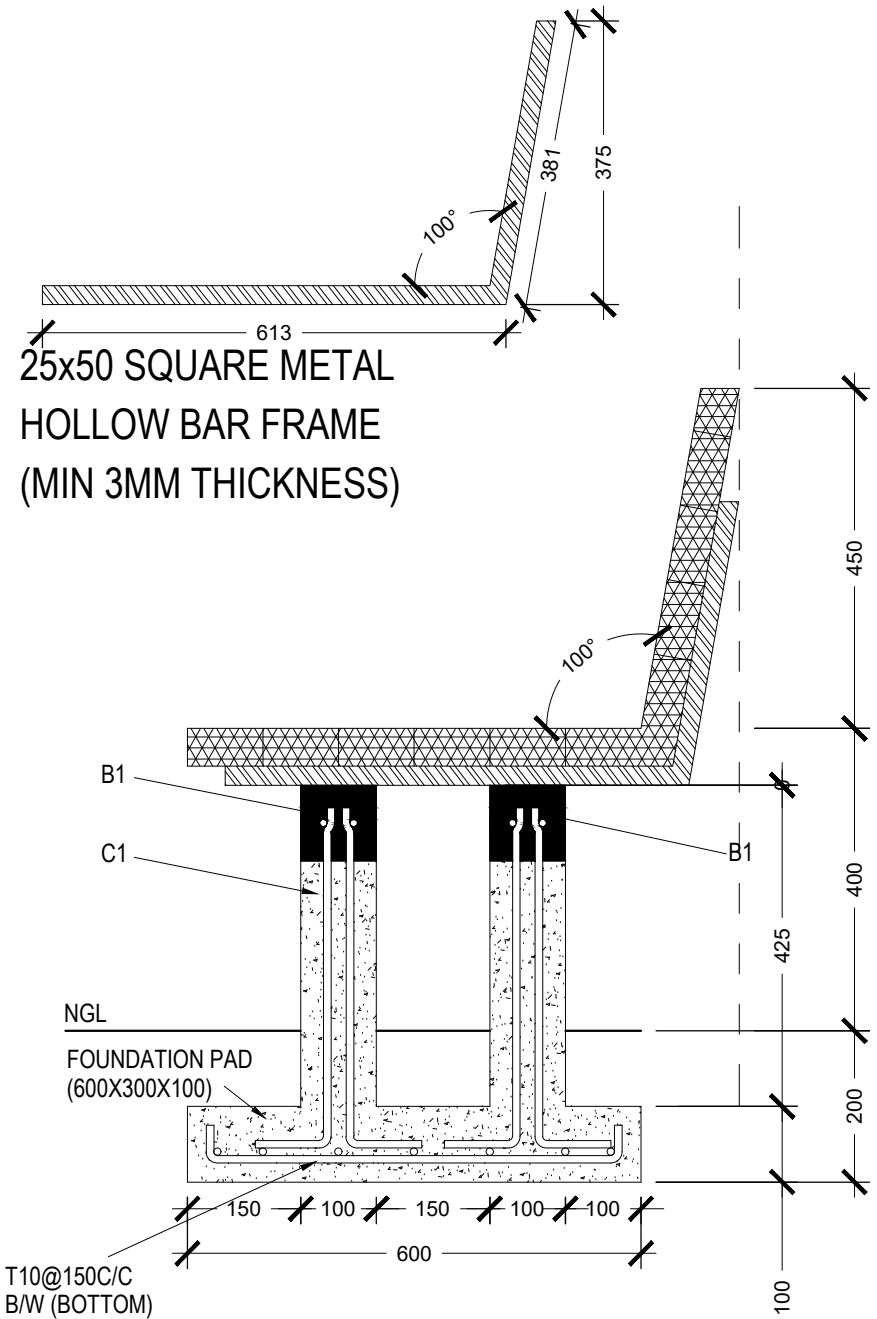
CHECKED BY:  
ASHHAM MOHAMED  
ASSISTANT DIRECTOR  
NAIFARU COUNCIL

APPROVED BY:  
MOHAMED RASHEED  
COUNCIL PRESIDENT  
NAIFARU COUNCIL

DATE:  
JULY 2021

DWG  
NO:  
31

SHEET  
NO:  
33

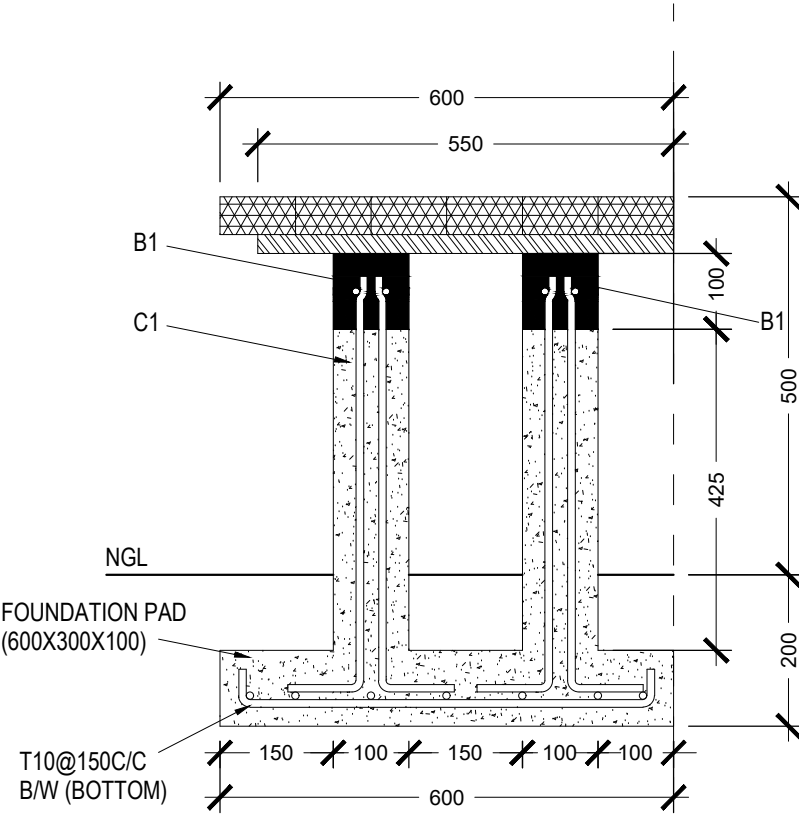
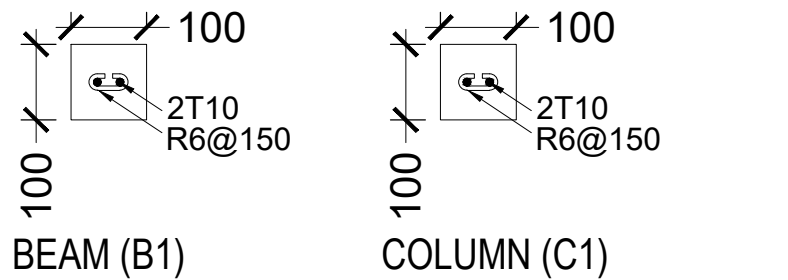


**SECTION C**

**BENCH TYPE C (STRUCTURAL DETAILS)**

SCALE 1:10

- BEAM (B1)
- COLUMN (C1)
- 25x50 SQUARE METAL HOLLOW BAR (MIN 3MM THICKNESS)
- 100x50 TIMBER



**SECTION D**

PROJECT:  
KIDS' PLAYGROUND

DESIGNED BY:  
ISMAIL YAMAAN YOOSUF  
ARCHITECT  
NAIFARU COUNCIL

CHECKED BY:  
ASHHAM MOHAMED  
ASSISTANT DIRECTOR  
NAIFARU COUNCIL

APPROVED BY:  
MOHAMED RASHEED  
COUNCIL PRESIDENT  
NAIFARU COUNCIL

DATE:  
JULY 2021

DWG  
NO:  
32

SHEET  
NO:  
34



# BENCH TYPE D

# BENCH TYPE E

PROJECT:  
KIDS' PLAYGROUND

DESIGNED BY:  
ISMAIL YAMAAN YOOSUF  
ARCHITECT  
NAIFARU COUNCIL

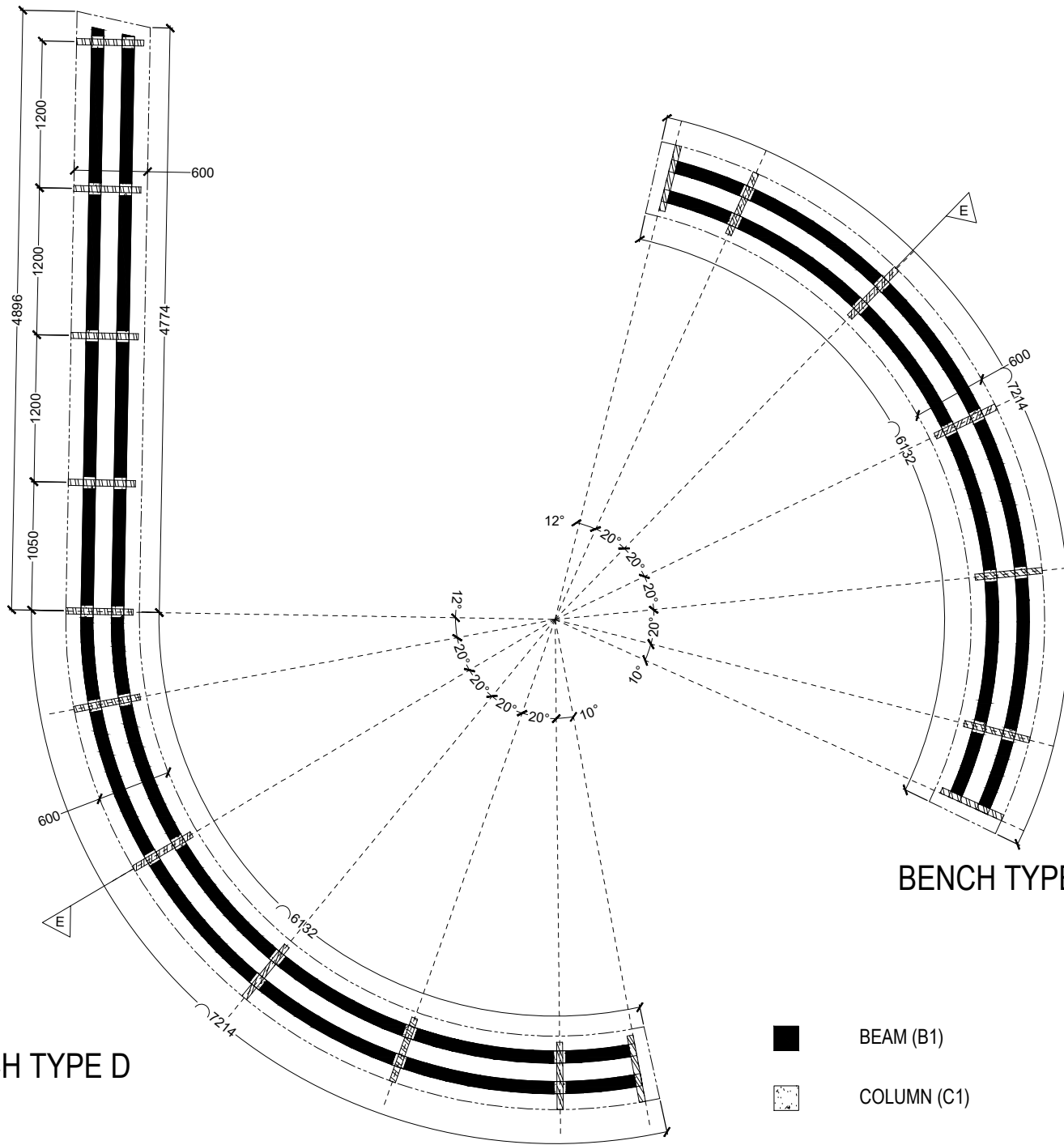
CHECKED BY:  
ASHHAM MOHAMED  
ASSISTANT DIRECTOR  
NAIFARU COUNCIL

APPROVED BY:  
MOHAMED RASHEED  
COUNCIL PRESIDENT  
NAIFARU COUNCIL

DATE:  
JULY 2021

DWG  
NO:  
33

SHEET  
NO:  
35







**BENCH TYPE E**

**BENCH TYPE D**

**BENCH TYPE D & E (STRUCTURAL DETAILS)**

SCALE 1:50

-  BEAM (B1)
-  COLUMN (C1)
-  25x50 SQUARE METAL HOLLOW BAR FRAME (MIN 3MM THICKNESS)
-  OUTER LINES OF BENCH

PROJECT:  
KIDS' PLAYGROUND

DESIGNED BY:  
ISMAIL YAMAAN YOOSUF  
ARCHITECT  
NAIFARU COUNCIL

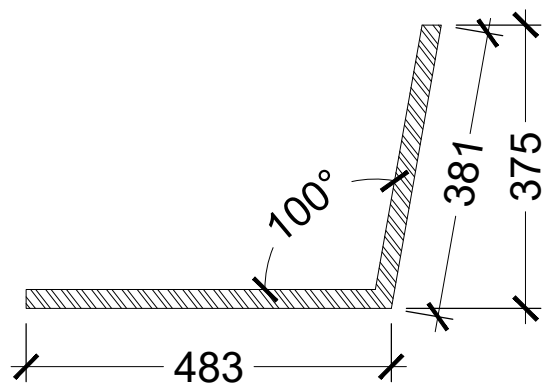
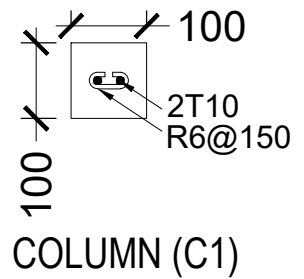
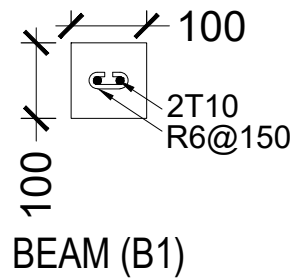
CHECKED BY:  
ASHHAM MOHAMED  
ASSISTANT DIRECTOR  
NAIFARU COUNCIL

APPROVED BY:  
MOHAMED RASHEED  
COUNCIL PRESIDENT  
NAIFARU COUNCIL

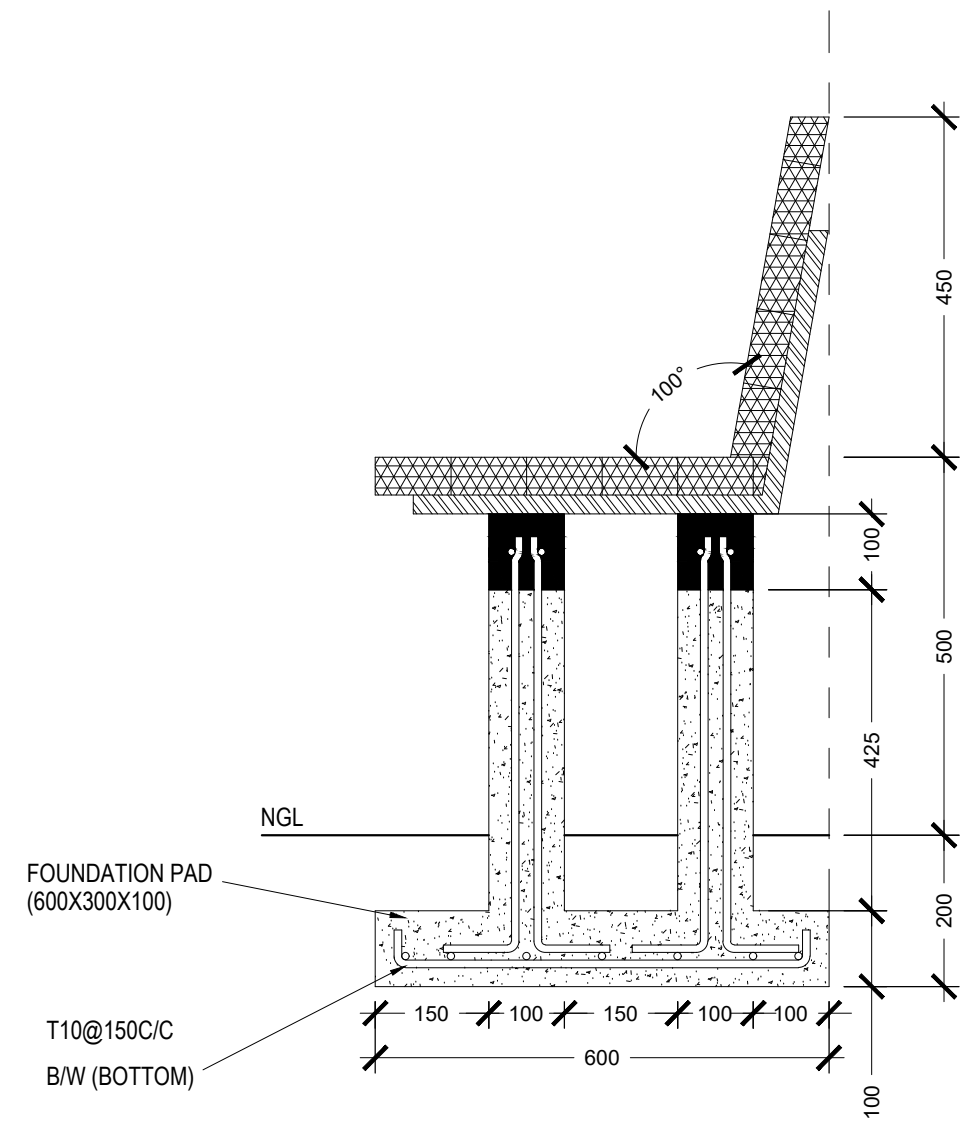
DATE:  
JULY 2021

DWG NO:  
34

SHEET NO:  
36



25x50 SQUARE METAL HOLLOW BAR FRAME  
(MIN 3MM THICKNESS)



SECTION E

- BEAM (B1)
- ▣ COLUMN (C1)
- ▨ 25x50 SQUARE METAL HOLLOW BAR FRAME (MIN 3MM THICKNESS)
- ▩ 100x50 TIMBER

SECRETARIAT OF THE  
**NAIFARU  
COUNCIL**

**PROJECT:**  
KIDS' PLAYGROUND

**DESIGNED BY:**  
ISMAIL YAMAAN YOOSUF  
ARCHITECT  
NAIFARU COUNCIL

**CHECKED BY:**  
ASHHAM MOHAMED  
ASSISTANT DIRECTOR  
NAIFARU COUNCIL

**APPROVED BY:**  
MOHAMED RASHEED  
COUNCIL PRESIDENT  
NAIFARU COUNCIL

**DATE:**  
JULY 2021

**DWG  
NO:**  
35

**SHEET  
NO:**  
37



# BENCH TYPE F

PROJECT:  
KIDS' PLAYGROUND

DESIGNED BY:  
ISMAIL YAMAAN YOOSUF  
ARCHITECT  
NAIFARU COUNCIL

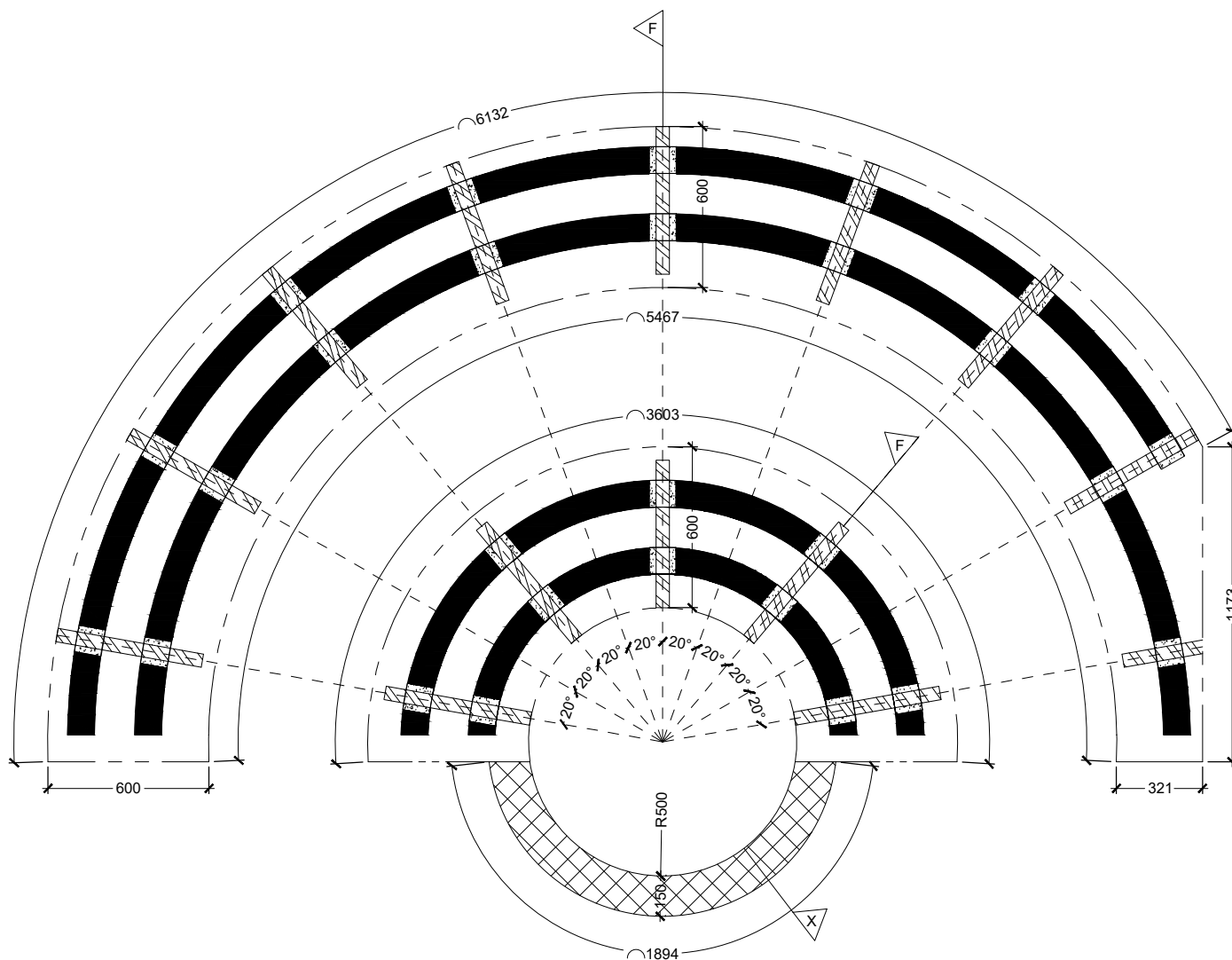
CHECKED BY:  
ASHHAM MOHAMED  
ASSISTANT DIRECTOR  
NAIFARU COUNCIL






APPROVED BY:  
MOHAMED RASHEED  
COUNCIL PRESIDENT  
NAIFARU COUNCIL

DATE:  
JULY 2021

DWG  
NO:  
36

SHEET  
NO:  
38



-  REFER TO SECTION X
-  BEAM (B1)
-  COLUMN (C1)
-  25x50 SQUARE METAL HOLLOW BAR FRAME (MIN 3MM THICKNESS)
-  OUTER LINES OF BENCH

## BENCH TYPE F (STRUCTURAL DETAILS)

SCALE 1:25

PROJECT:  
KIDS' PLAYGROUND

DESIGNED BY:  
ISMAIL YAMAAN YOOSUF  
ARCHITECT  
NAIFARU COUNCIL

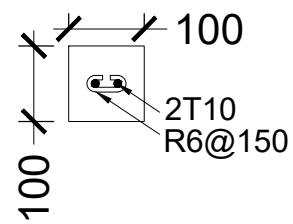
CHECKED BY:  
ASHHAM MOHAMED  
ASSISTANT DIRECTOR  
NAIFARU COUNCIL

APPROVED BY:  
MOHAMED RASHEED  
COUNCIL PRESIDENT  
NAIFARU COUNCIL

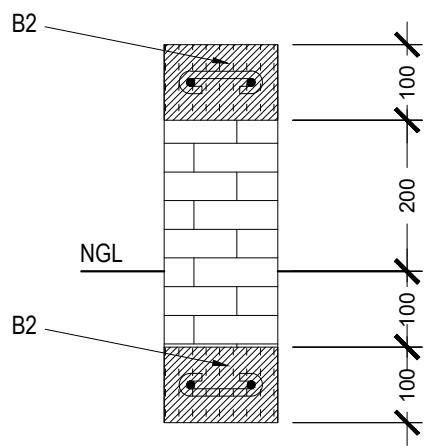
DATE:  
JULY 2021

DWG NO:  
37

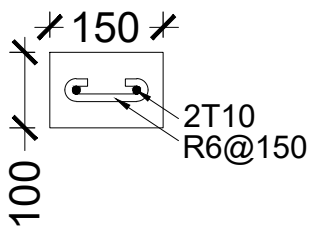
SHEET NO:  
39



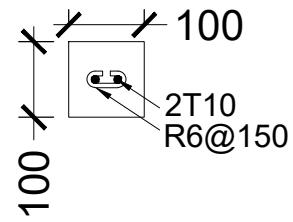
BEAM (B1)



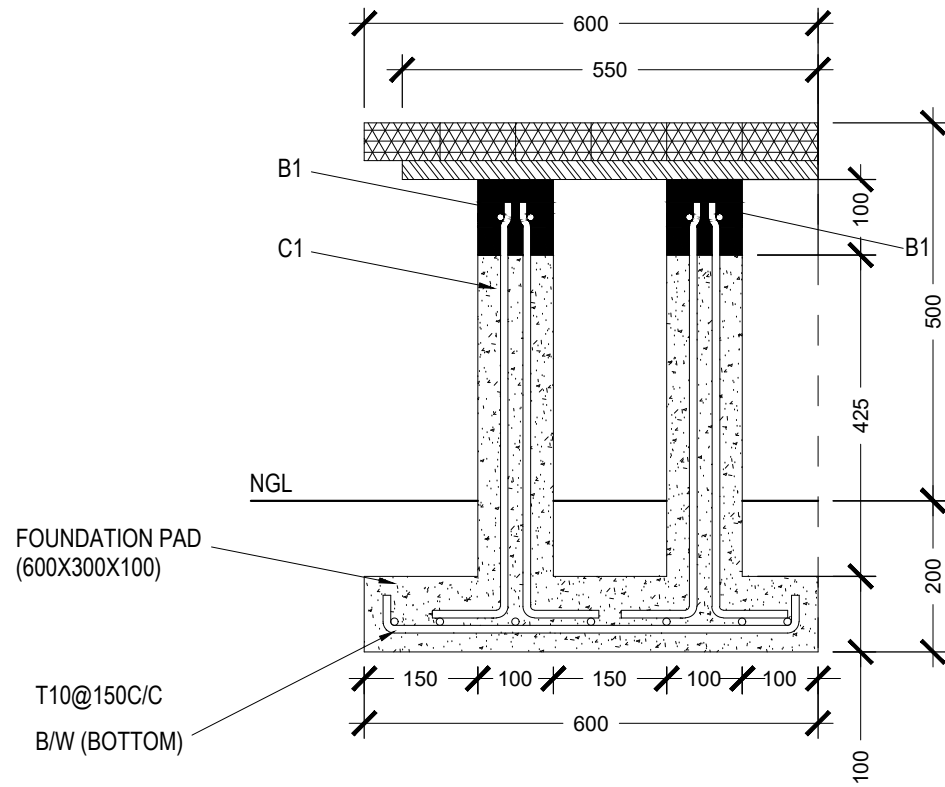
SECTION X








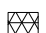
BEAM (B2)



COLUMN (C1)



SECTION F

-  BEAM (B1)
-  BEAM (B2)
-  MASONRY WALL
-  COLUMN (C1)
-  25x50 SQUARE METAL HOLLOW BAR (MIN 3MM THICKNESS)
-  100x50 TIMBER

**BENCH TYPE F (STRUCTURAL DETAILS)**

SCALE 1:10

SECRETARIAT OF THE  
**NAIFARU  
COUNCIL**

PROJECT:  
KIDS' PLAYGROUND

DESIGNED BY:  
ISMAIL YAMAAN YOOSUF  
ARCHITECT  
NAIFARU COUNCIL

CHECKED BY:  
ASHHAM MOHAMED  
ASSISTANT DIRECTOR  
NAIFARU COUNCIL

APPROVED BY:  
MOHAMED RASHEED  
COUNCIL PRESIDENT  
NAIFARU COUNCIL

DATE:  
JULY 2021

DWG  
NO:  
38

SHEET  
NO:  
40



# BENCH TYPE G



PROJECT:  
KIDS' PLAYGROUND

DESIGNED BY:  
ISMAIL YAMAAN YOOSUF  
ARCHITECT  
NAIFARU COUNCIL

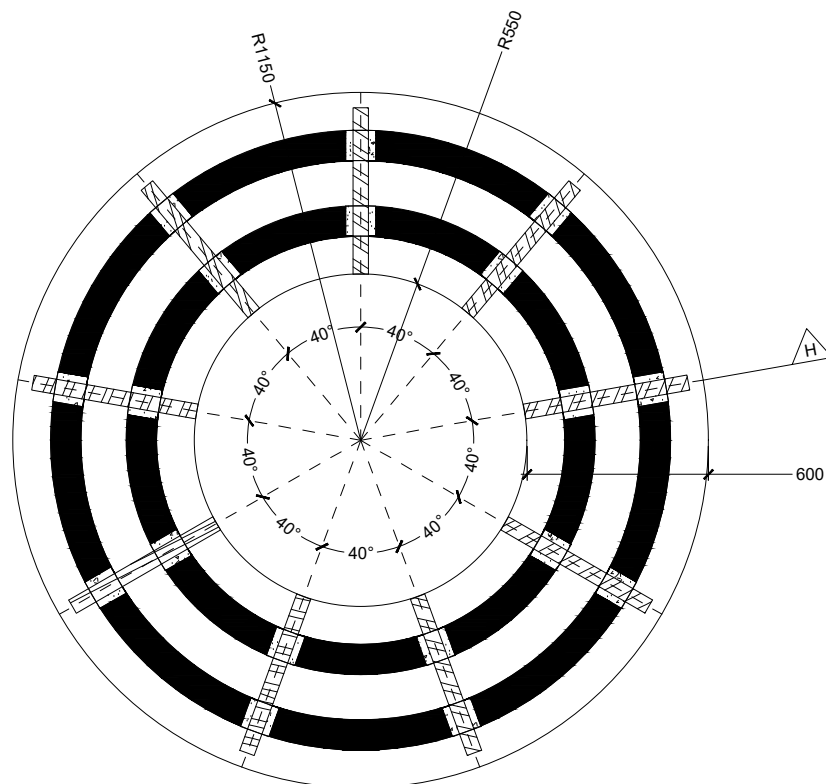
CHECKED BY:  
ASHHAM MOHAMED  
ASSISTANT DIRECTOR  
NAIFARU COUNCIL






APPROVED BY:  
MOHAMED RASHEED  
COUNCIL PRESIDENT  
NAIFARU COUNCIL

DATE:  
JULY 2021

DWG  
NO:  
39

SHEET  
NO:  
41



-  REFER TO SECTION X
-  BEAM (B1)
-  COLUMN (C1)
-  25x50 SQUARE METAL HOLLOW BAR FRAME (MIN 3MM THICKNESS)
-  OUTER LINES OF BENCH

## BENCH TYPE H (STRUCTURAL DETAILS)

SCALE 1:25

PROJECT:  
KIDS' PLAYGROUND

DESIGNED BY:  
ISMAIL YAMAAN YOOSUF  
ARCHITECT  
NAIFARU COUNCIL

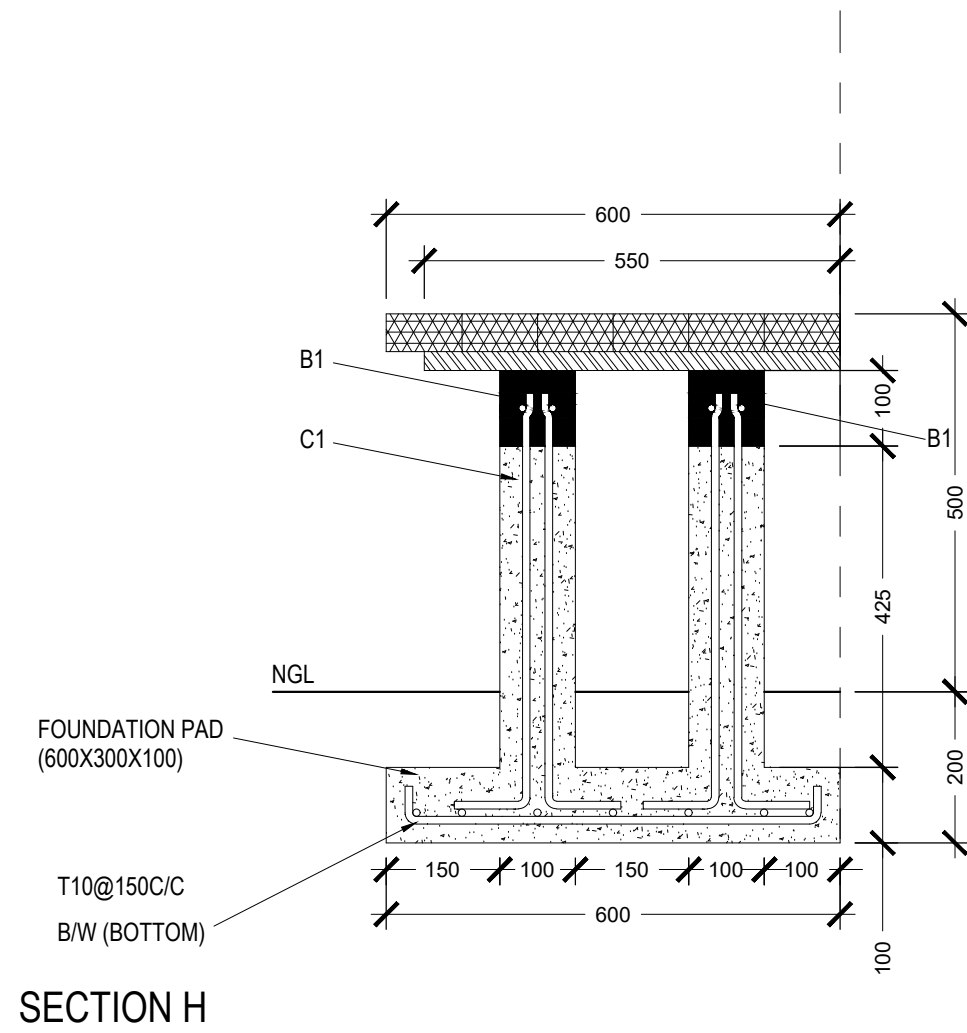
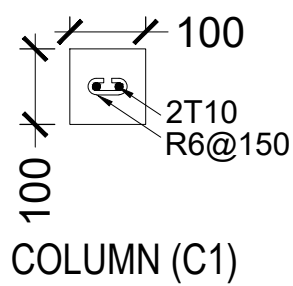
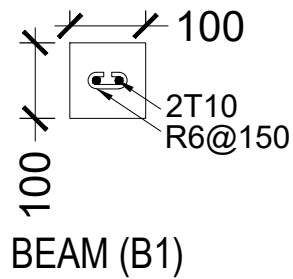
CHECKED BY:  
ASHHAM MOHAMED  
ASSISTANT DIRECTOR  
NAIFARU COUNCIL

APPROVED BY:  
MOHAMED RASHEED  
COUNCIL PRESIDENT  
NAIFARU COUNCIL

DATE:  
JULY 2021

DWG NO:  
40

SHEET NO:  
42



- BEAM (B1)
- ▒ COLUMN (C1)
- ▨ 25x50 SQUARE METAL HOLLOW BAR (MIN 3MM THICKNESS)
- ▩ 100x50 TIMBER

SECRETARIAT OF THE  
**NAIFARU  
COUNCIL**

PROJECT:  
KIDS' PLAYGROUND

DESIGNED BY:  
ISMAIL YAMAAN YOOSUF  
ARCHITECT  
NAIFARU COUNCIL

CHECKED BY:  
ASHHAM MOHAMED  
ASSISTANT DIRECTOR  
NAIFARU COUNCIL

APPROVED BY:  
MOHAMED RASHEED  
COUNCIL PRESIDENT  
NAIFARU COUNCIL

DATE:  
JULY 2021

DWG  
NO:  
41

SHEET  
NO:  
43

# LIGHTING PLAN

SECRETARIAT OF THE  
**NAIFARU  
COUNCIL**

PROJECT:  
KIDS' PLAYGROUND

DESIGNED BY:  
ISMAIL YAMAAN YOOSUF  
ARCHITECT  
NAIFARU COUNCIL

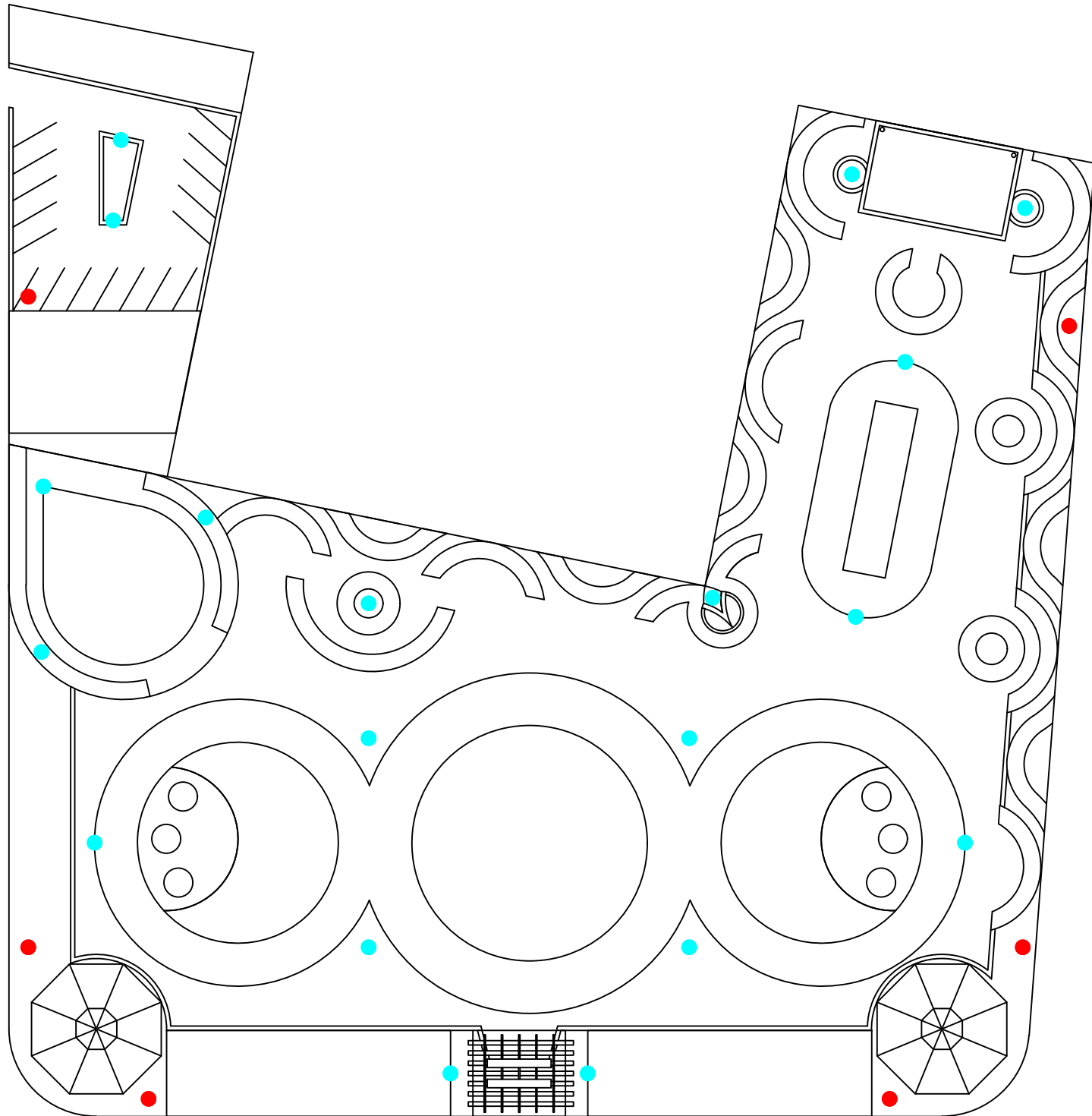
CHECKED BY:  
ASHHAM MOHAMED  
ASSISTANT DIRECTOR  
NAIFARU COUNCIL

APPROVED BY:  
MOHAMED RASHEED  
COUNCIL PRESIDENT  
NAIFARU COUNCIL

DATE:  
JULY 2021

DWG  
NO:  
42

SHEET  
NO:  
44



- STREET LIGHTS
- GARDEN LIGHTS

**LIGHTING PLAN**  
SCALE 1:200

\*LIGHTING CONTROLS TO BE FIXED AT STORE ROOM AT THE RESTROOM AREA

SECRETARIAT OF THE  
**NAIFARU  
COUNCIL**

PROJECT:  
KIDS' PLAYGROUND

DESIGNED BY:  
ISMAIL YAMAAN YOOSUF  
ARCHITECT  
NAIFARU COUNCIL

CHECKED BY:  
ASHHAM MOHAMED  
ASSISTANT DIRECTOR  
NAIFARU COUNCIL

APPROVED BY:  
MOHAMED RASHEED  
COUNCIL PRESIDENT  
NAIFARU COUNCIL

DATE:  
JULY 2021

DWG  
NO:  
43

SHEET  
NO:  
45

# STRUCTURAL INSTALLATION OF EQUIPMENTS

PROJECT:  
KIDS' PLAYGROUND

DESIGNED BY:  
ISMAIL YAMAAN YOOSUF  
ARCHITECT  
NAIFARU COUNCIL

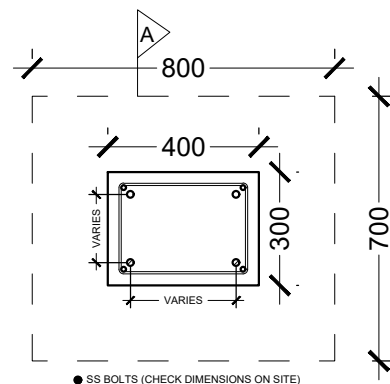
CHECKED BY:  
ASHHAM MOHAMED  
ASSISTANT DIRECTOR  
NAIFARU COUNCIL

APPROVED BY:  
MOHAMED RASHEED  
COUNCIL PRESIDENT  
NAIFARU COUNCIL

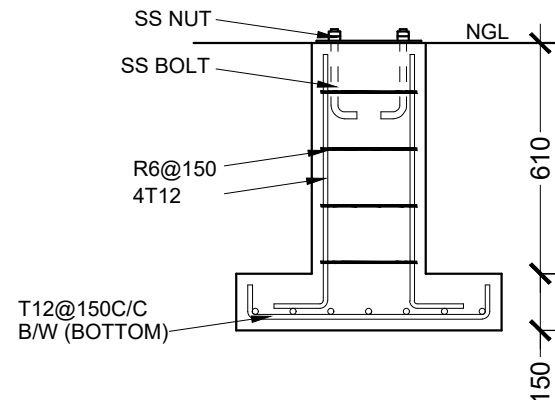
DATE:  
JULY 2021

DWG  
NO:  
44

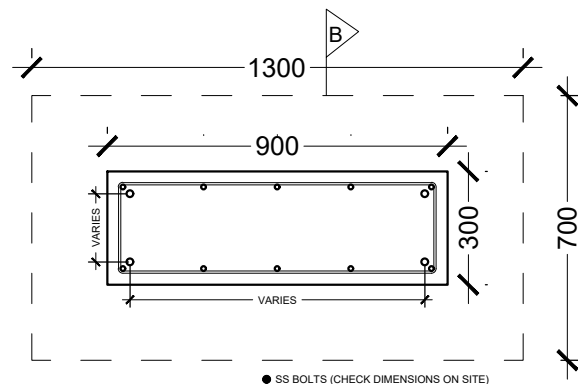
SHEET  
NO:  
46



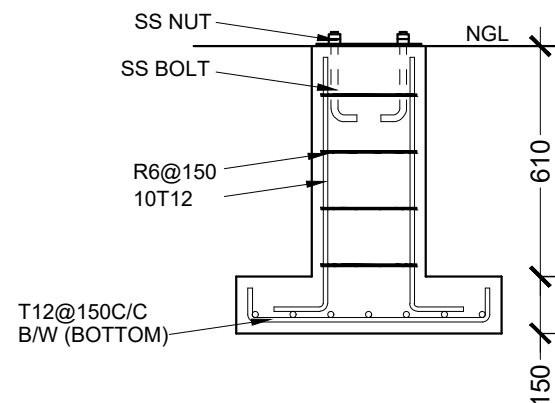
TOP VIEW



SECTION A



TOP VIEW



SECTION B

\*CHECK ALL MEASUREMENTS ON SITE BEFORE FABRICATION

### FOOTING TYPE A

QTY	EQUIPMENT DETAILS
6	SWING SET
6	SPRING RIDERS

### FOOTING TYPE B

QTY	EQUIPMENT DETAILS
1	SEESAW 1

PROJECT:  
KIDS' PLAYGROUND

DESIGNED BY:  
ISMAIL YAMAAN YOOSUF  
ARCHITECT  
NAIFARU COUNCIL

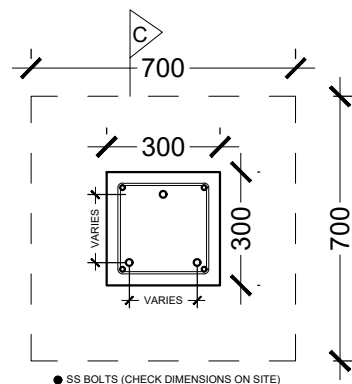
CHECKED BY:  
ASHHAM MOHAMED  
ASSISTANT DIRECTOR  
NAIFARU COUNCIL

APPROVED BY:  
MOHAMED RASHEED  
COUNCIL PRESIDENT  
NAIFARU COUNCIL

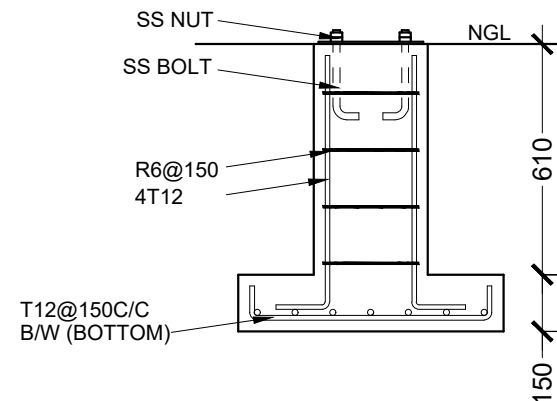
DATE:  
JULY 2021

DWG  
NO:  
45

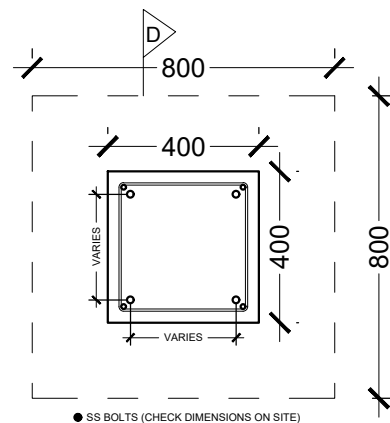
SHEET  
NO:  
47



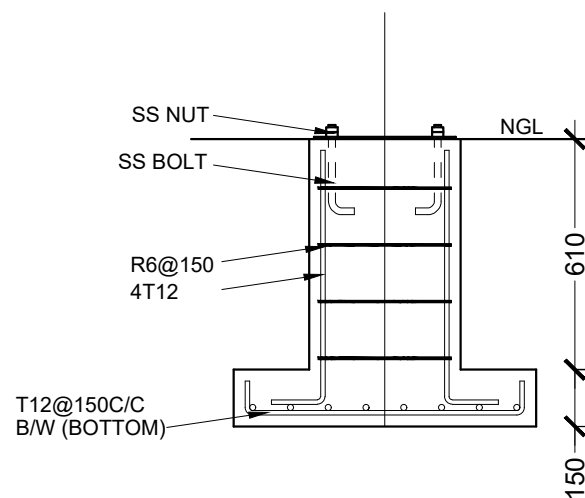
TOP VIEW



SECTION C



TOP VIEW



SECTION D

\*CHECK ALL MEASUREMENTS ON SITE BEFORE FABRICATION

**FOOTING TYPE C**

QTY	EQUIPMENT DETAILS
12	MULTI ACTIVITY PLAYGROUND

**FOOTING TYPE D**

QTY	EQUIPMENT DETAILS
1	SEESAW 2