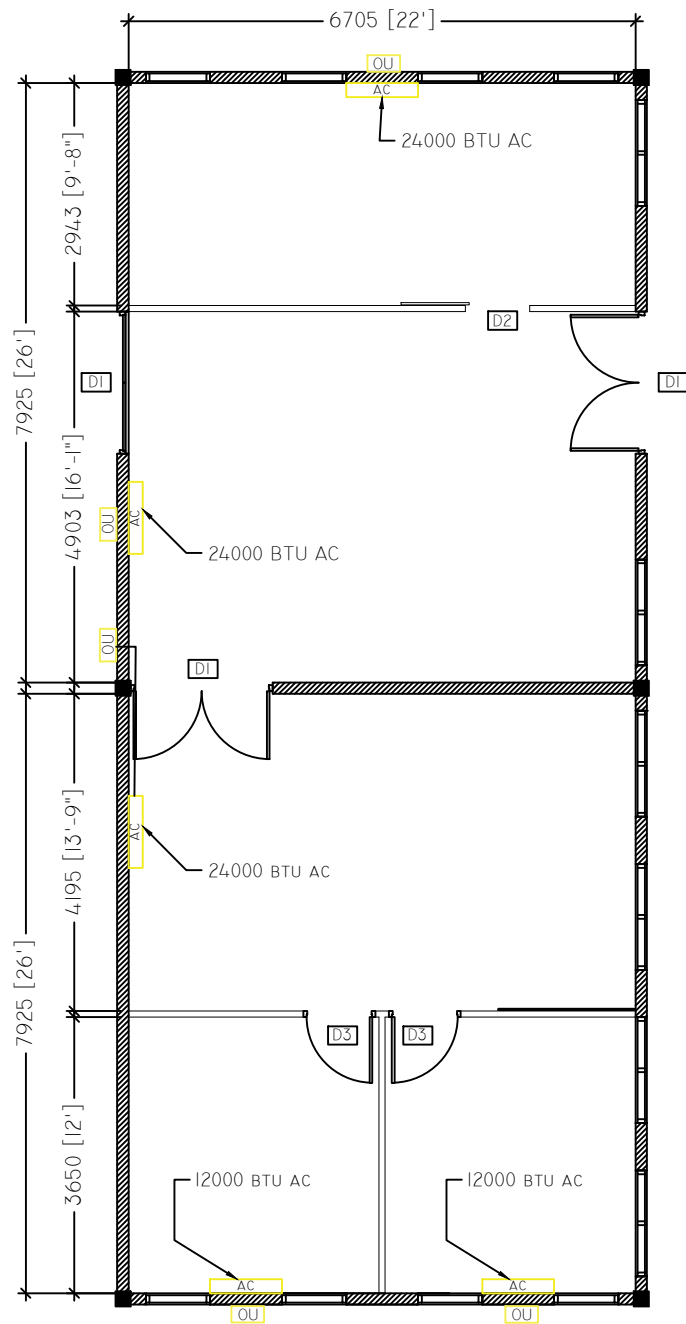


FLOOR FINISH: PARQUET  
 FLOORING AREA: 1144, SQFT

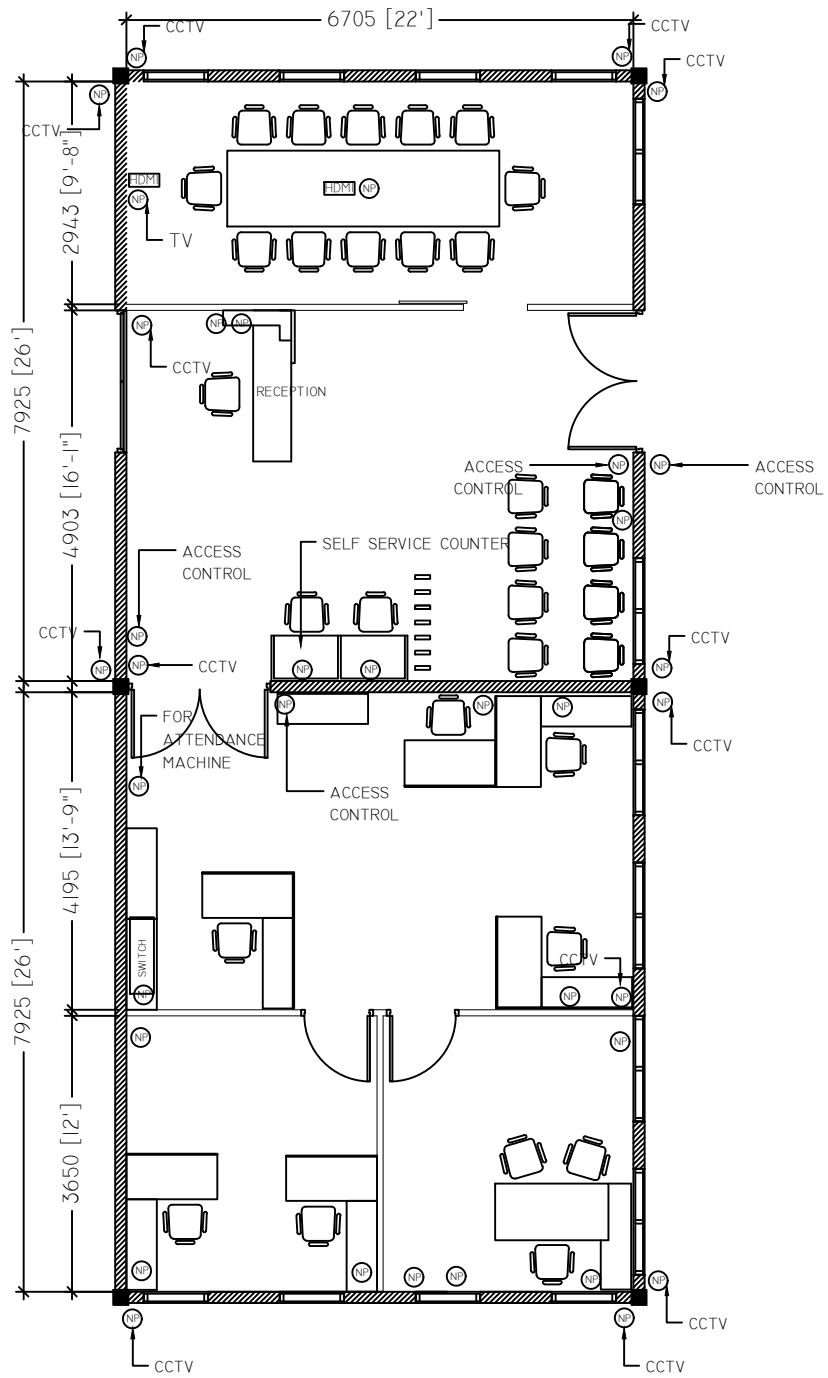
**PROPOSED FLOOR LAYOUT**  
 SCALE 1:100







- AC AC INDOOR UNIT
- OU AC OUTDOOR UNIT

### AC LAYOUT

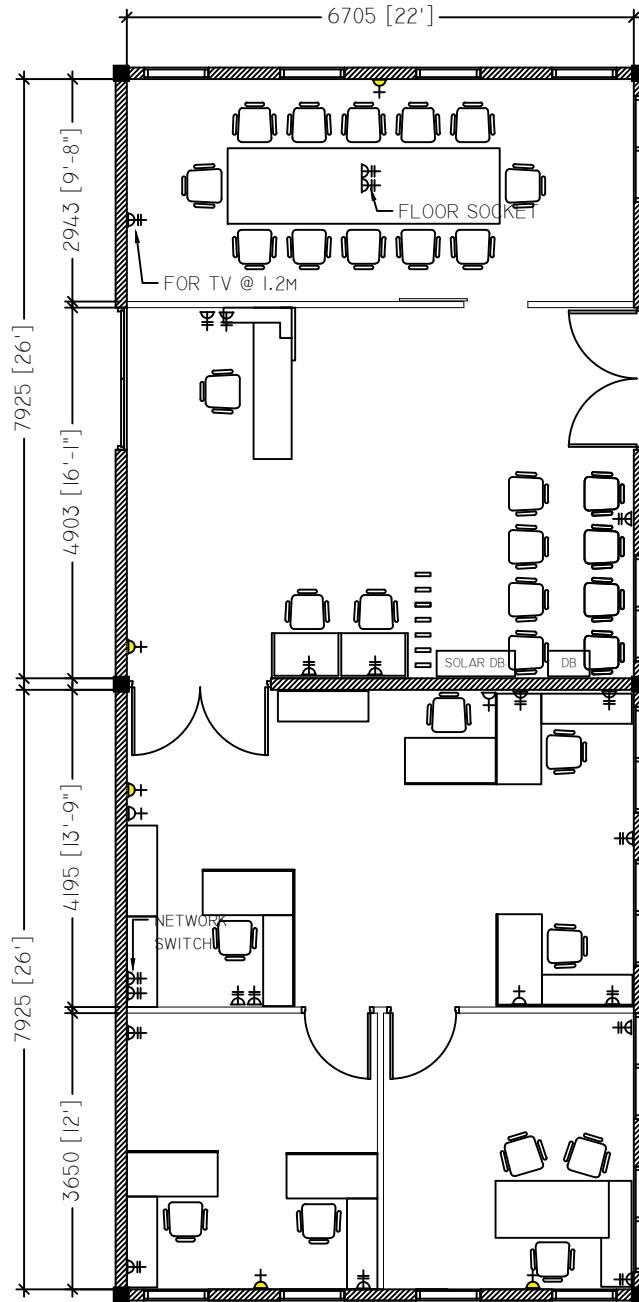
SCALE 1:100



-  NETWORK POINT FOR PC/TV X 18
  -  NETWORK POINT FOR ACCESS CONTROL/ATTENDANCE X 5
  -  NETWORK POINT FOR CCTV X 13
  -  HDMI POINT X 1
- NOTE: LEVEL OF PLACING THE NETWORK POINT DEPEND OF THE FUNCTIONALITY

## NETWORK LAYOUT

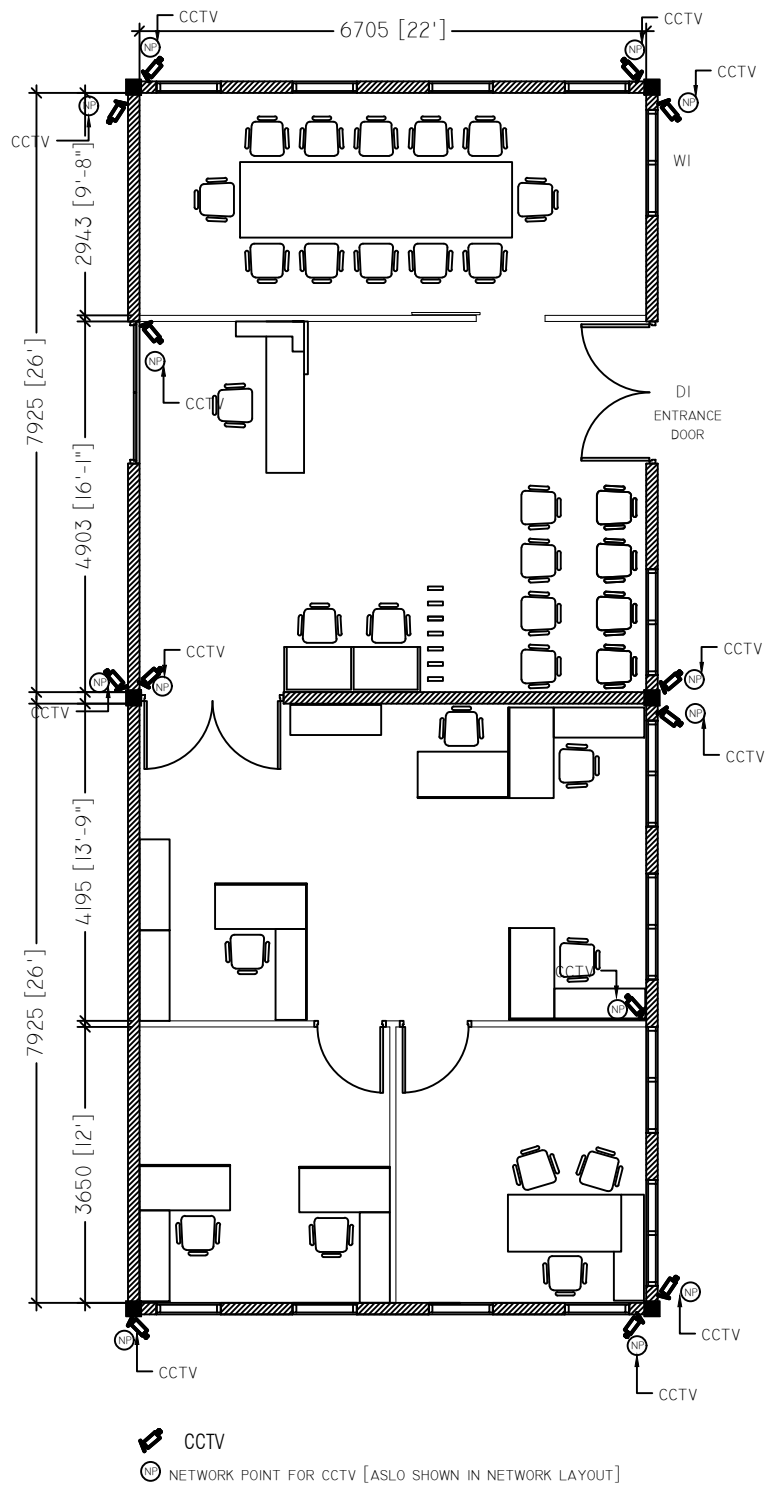
SCALE 1:100



- D+ 1 GANG 13A SOCKET OUTLET
- D# 2 GANG 13A SOCKET OUTLET
- D+ 1 GANG 15A SOCKET OUTLET FOR AC
- DB DISTRIBUTION BOARD
- SOLAR DB SOLAR PANEL DISTRIBUTION BOARD

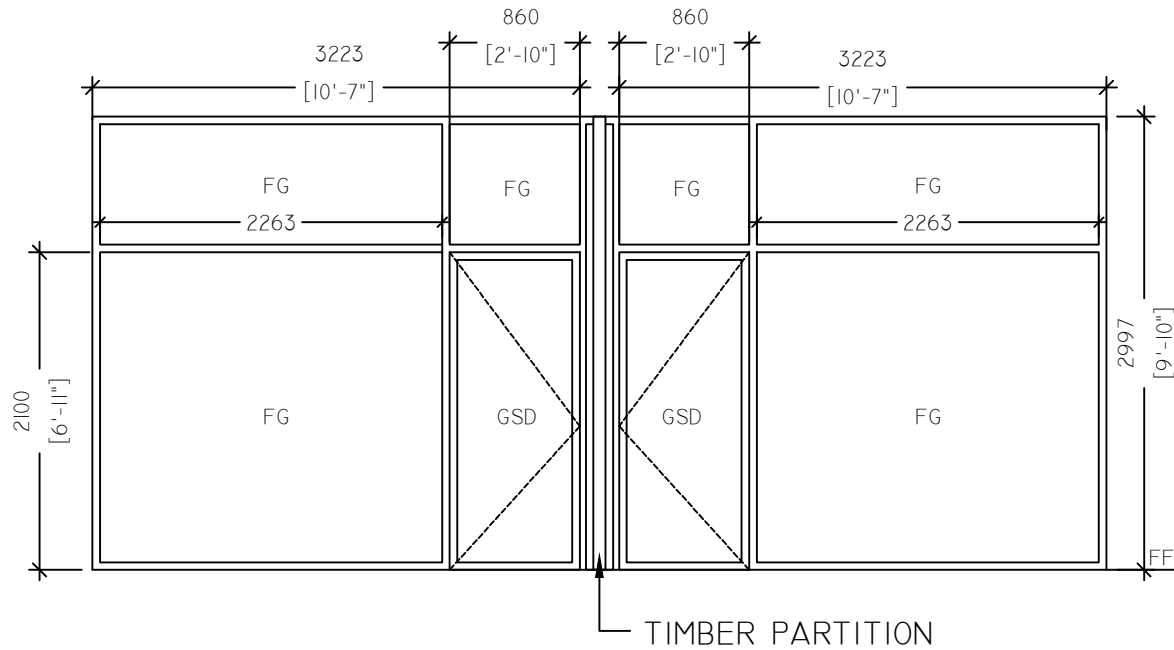
NOTE: LEVEL OF PLACING THE NETWORK POINT DEPEND OF THE FUNCTIONALITY

**ELECTRICAL LAYOUT**  
SCALE 1:100



### CCTV LAYOUT

SCALE 1:100

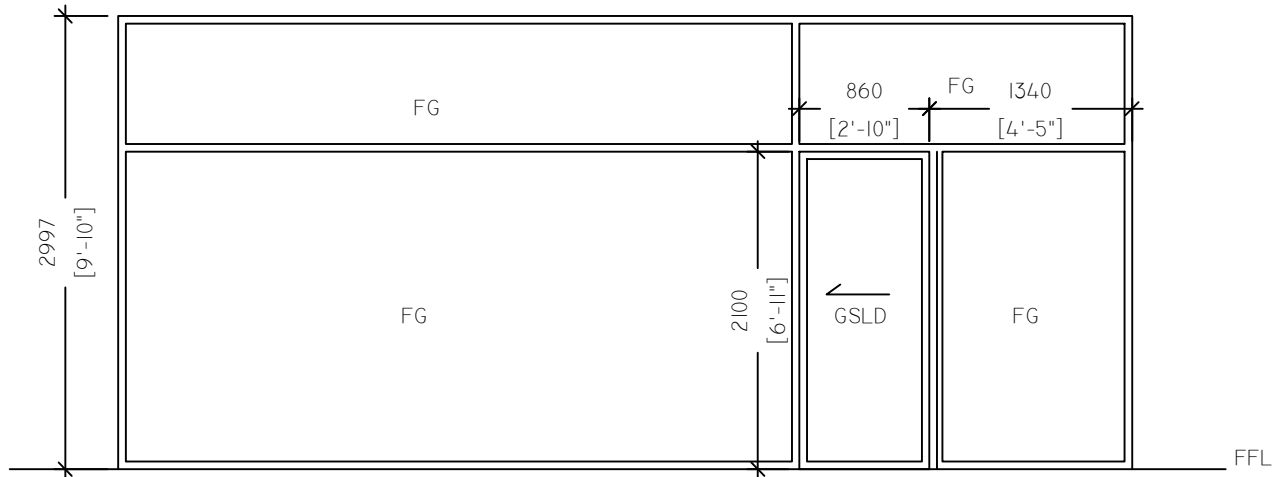


ELEVATION

NOTE:  
 GSD - GLASS SWING DOOR  
 FG - FIXED GLASS PANEL  
 ALL GLASS TO BE 6MM THICK.

PARTITION 'A' - GLASS PARTITION WITH SLIDING DOOR

1:50

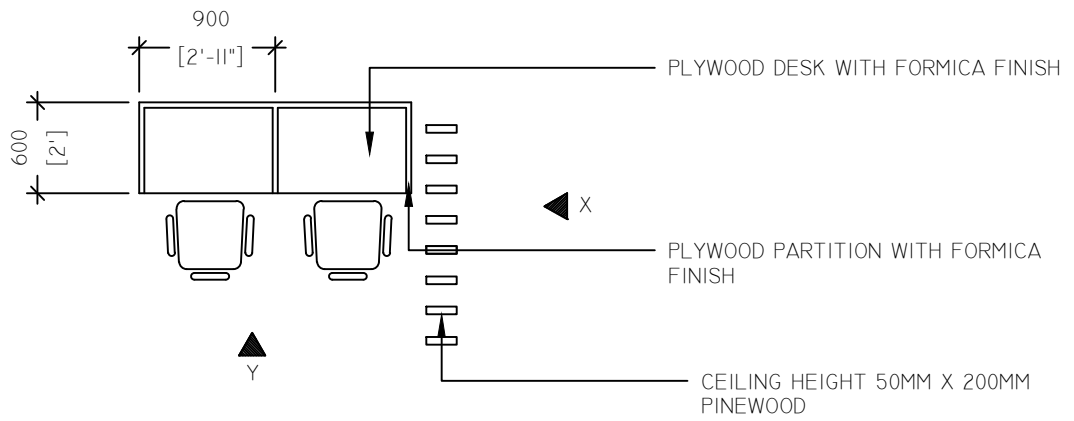


ELEVATION

NOTE:  
 GSLD - GLASS SLIDING DOOR  
 FG - FIXED GLASS PANEL  
 ALL GLASS TO BE 6MM THICK.

**PARTITION 'B' - GLASS PARTITION WITH SLIDING DOOR**

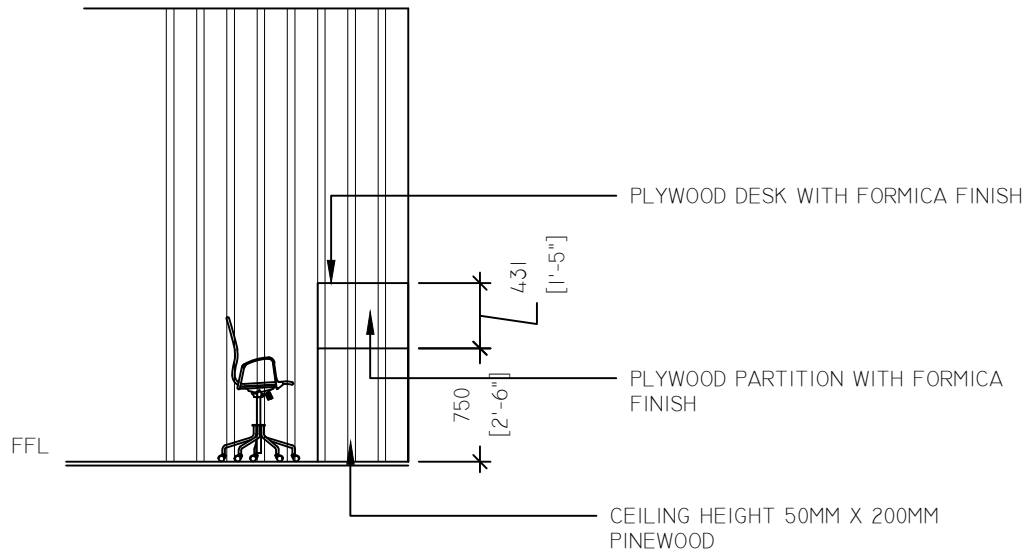
1:50



PLAN

**SELF SERVICE COUNTER DETAILS**

1:50

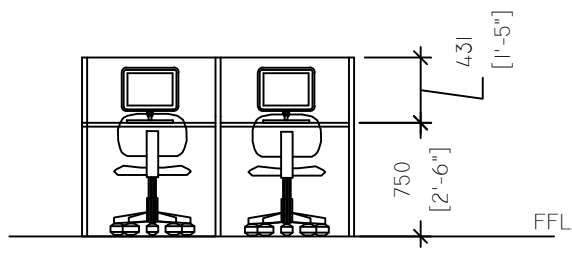


ELEVATION - X

**SELF SERVICE COUNTER DETAILS**

1:50

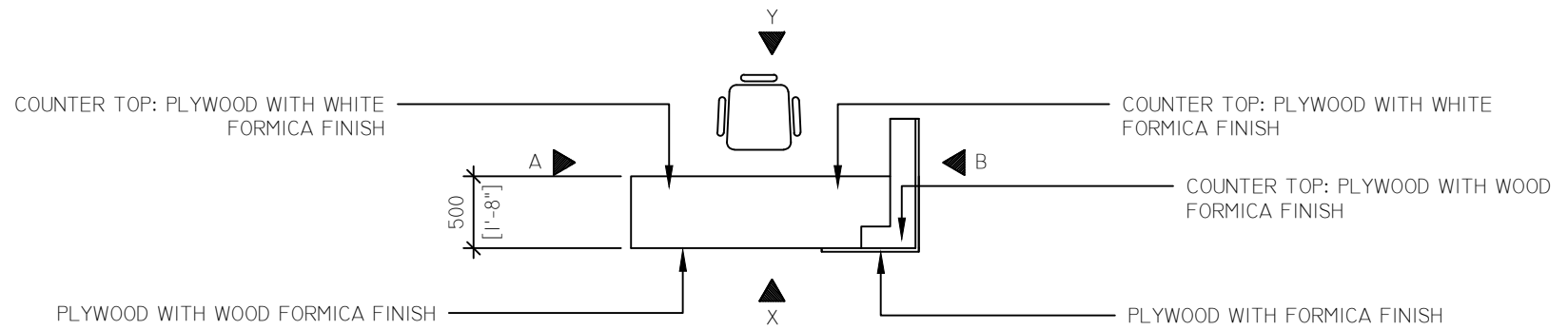




ELEVATION - Y

**SELF SERVICE COUNTER DETAILS**

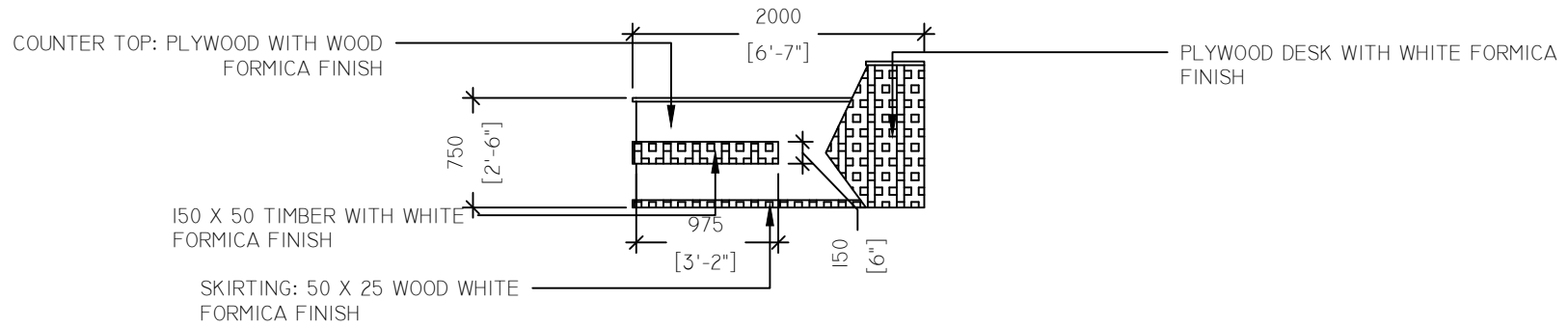
1:50



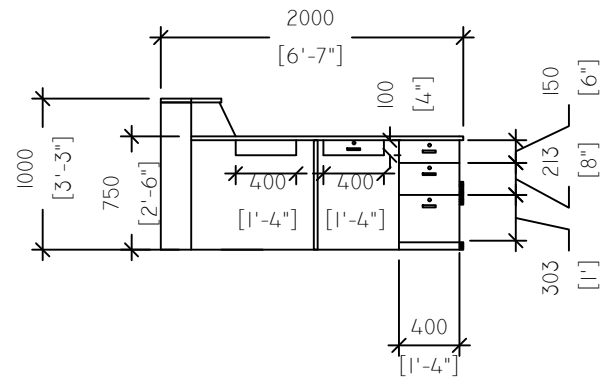
PLAN

**RECEPTION COUNTER DETAILS**

1:50



ELEVATION - X

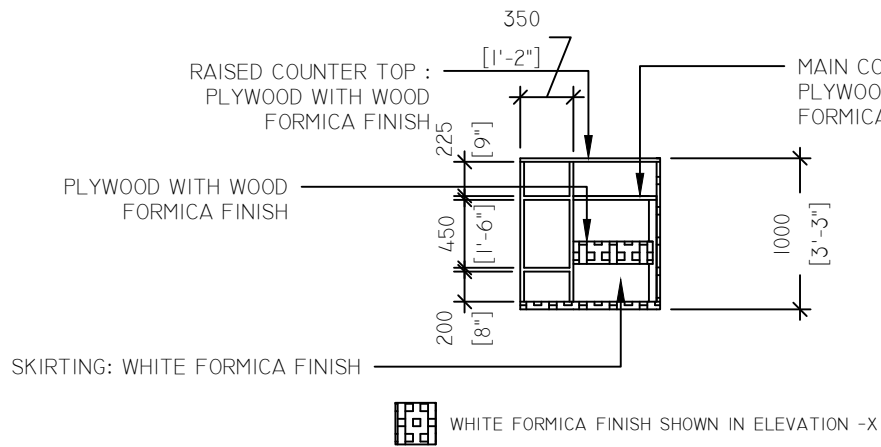


NOTE:  
FINISHES TO BE WHITE FORMICA FINISH EXPECT  
WHERE SPECIFICALLY STATED OTHERWISE

ELEVATION - Y

**RECEPTION COUNTER DETAILS**

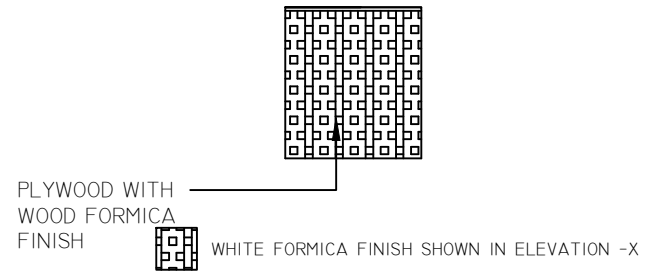
1:50



ELEVATION - A

**RECEPTION COUNTER DETAILS**

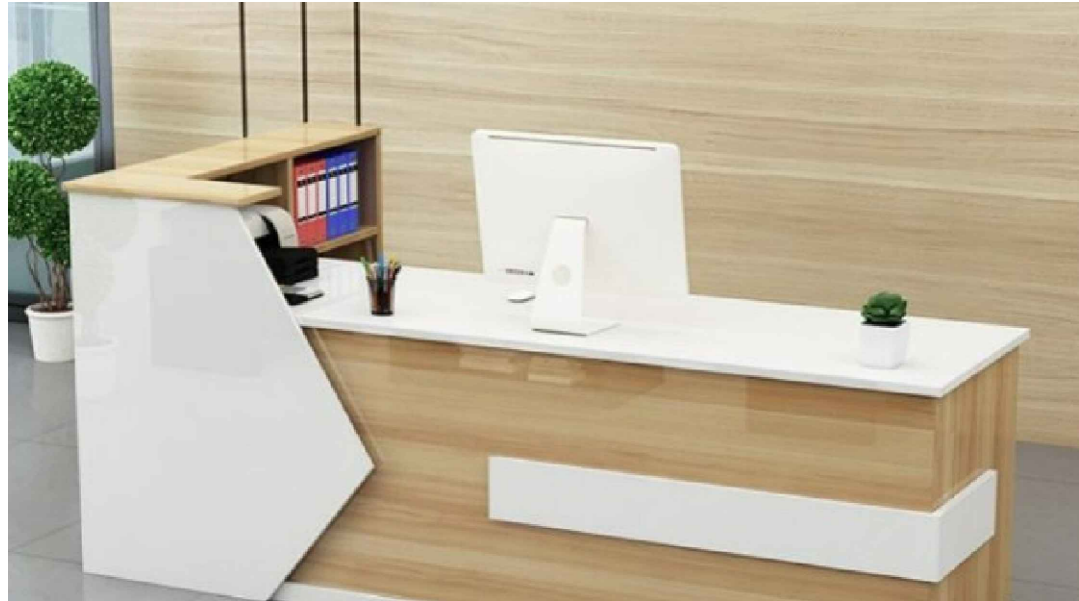
1:50



ELEVATION - B

**RECEPTION COUNTER DETAILS**

1:50



3D RENDER

**RECEPTION COUNTER DETAILS**

1:50