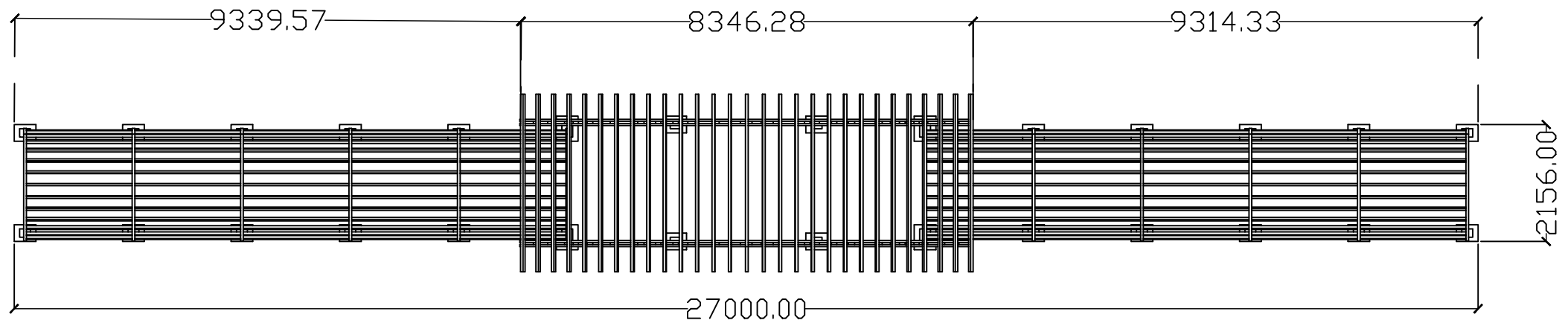
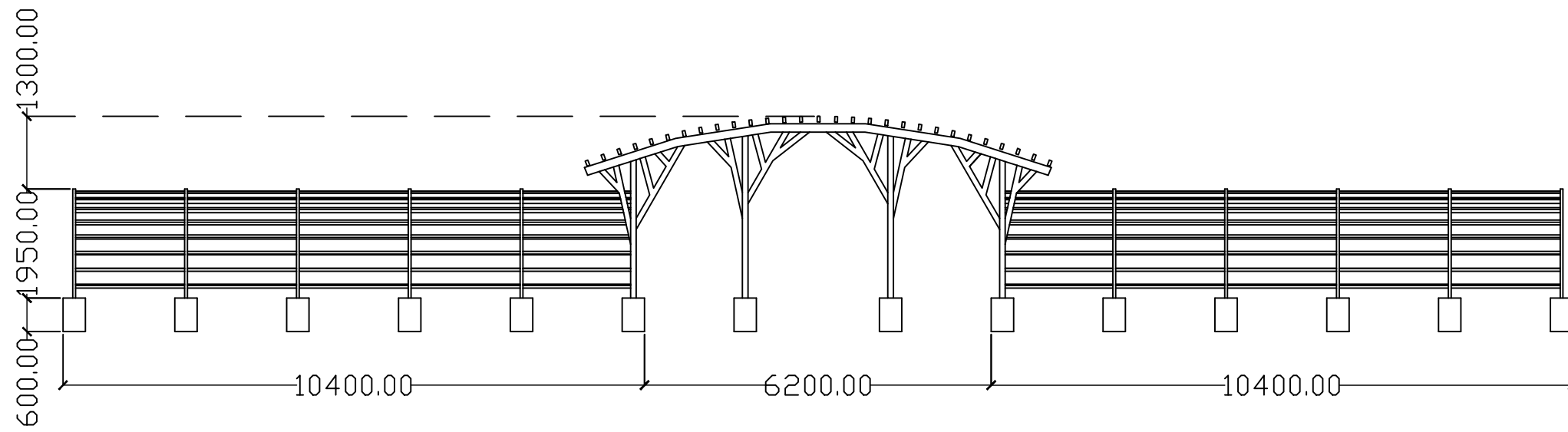


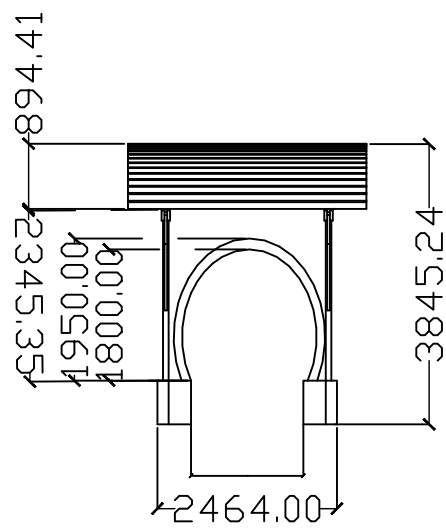
FLOOR PLAN
SCALE 1:150



TOP VIEW

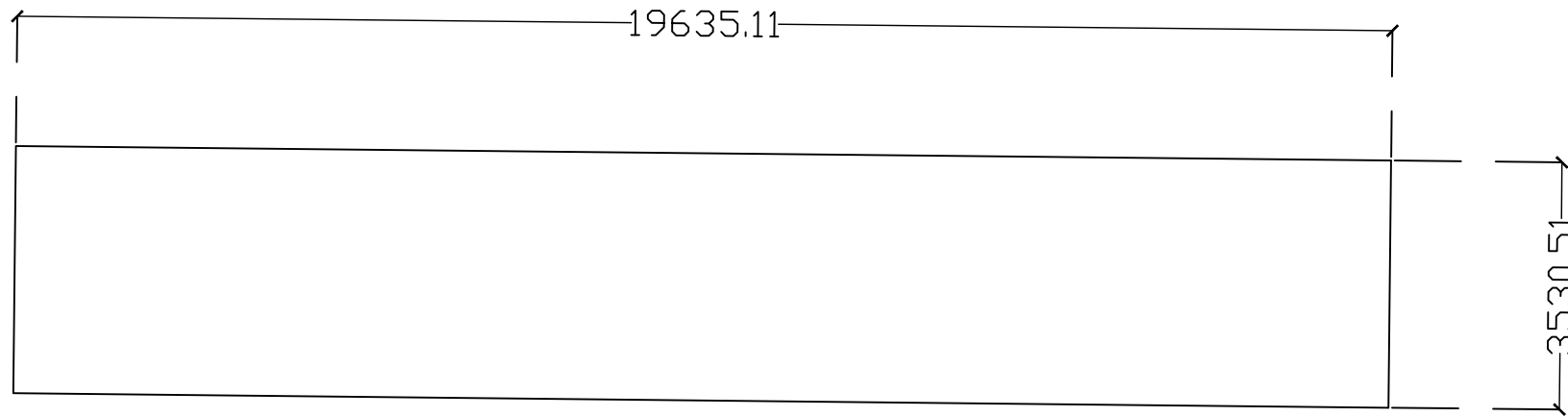


FRONT

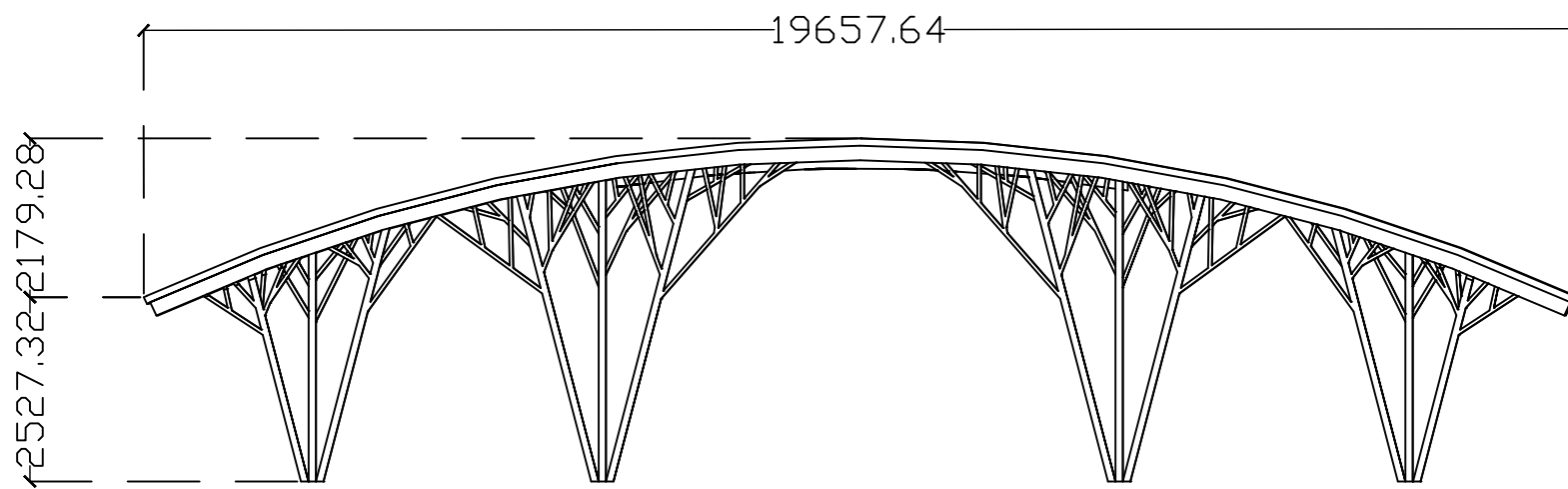


SIDE

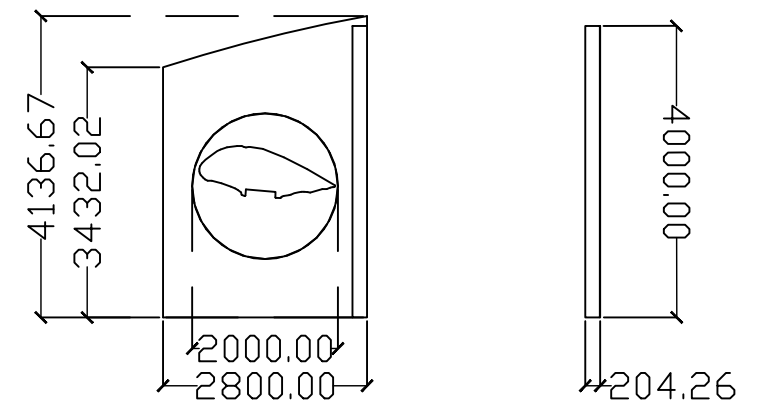
WALKWAY
SCALE 1:100



TOP VIEW

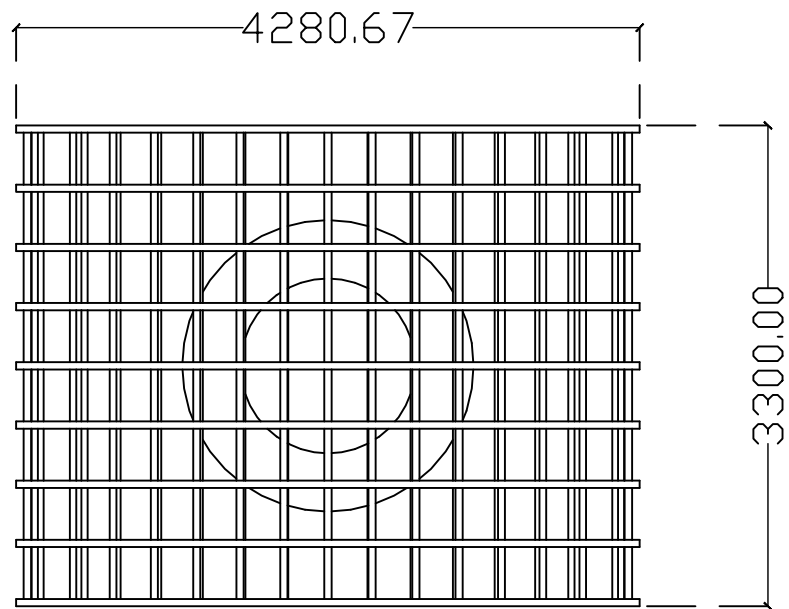


FRONT

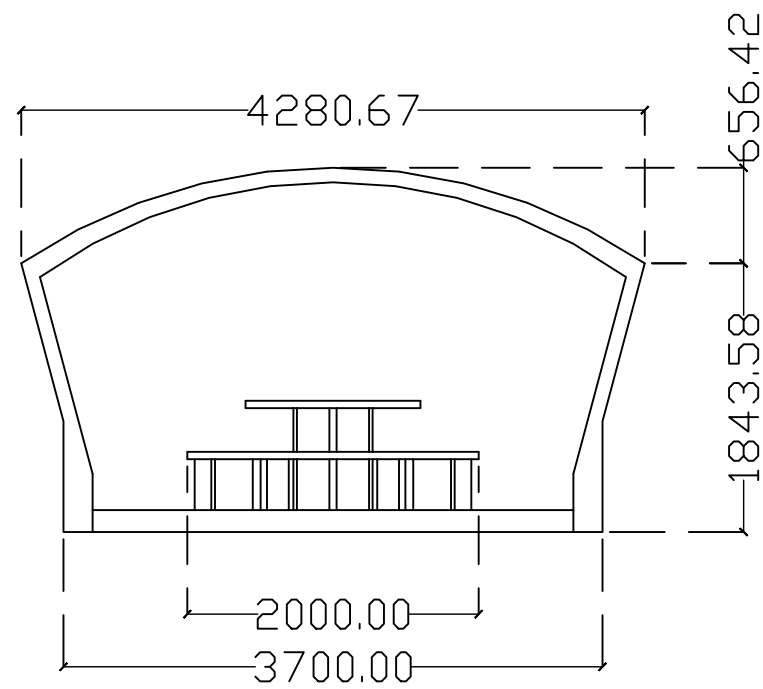


WALL AT THE ENTRANCE

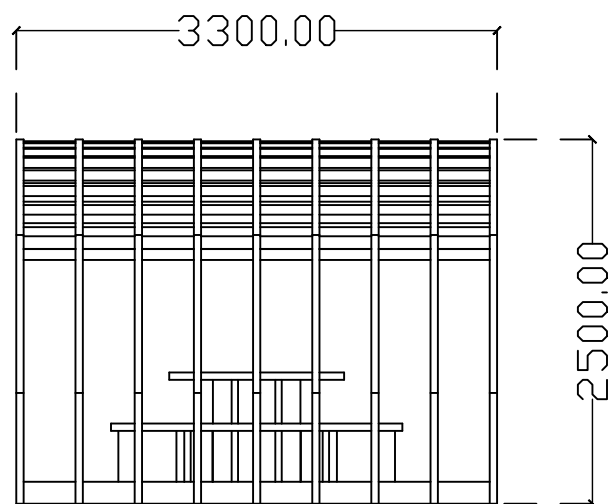
ENTRANCE
SCALE 1:100



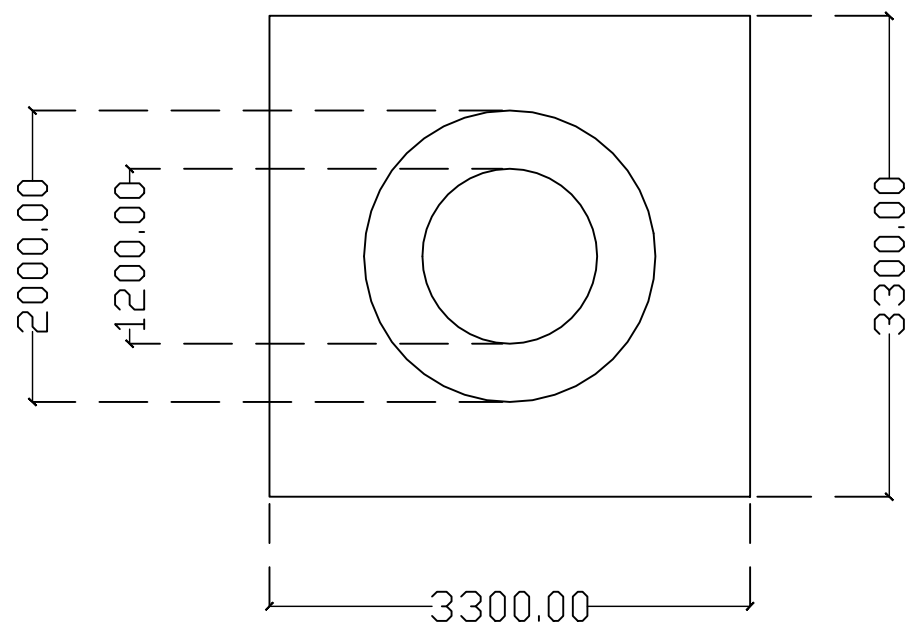
TOP VIEW



FRONT



SIDE



TOP SECTION

SEATING WITH TABLE
SCALE 1:50