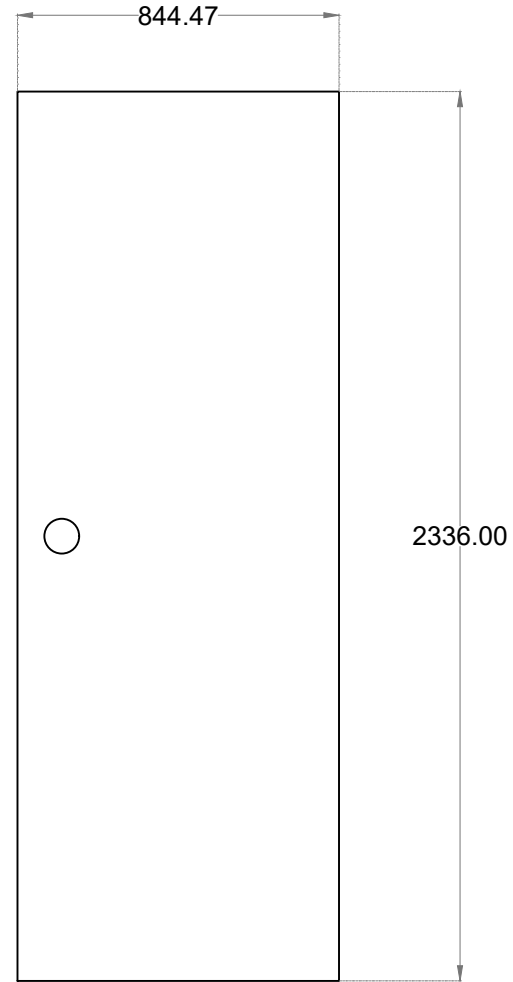
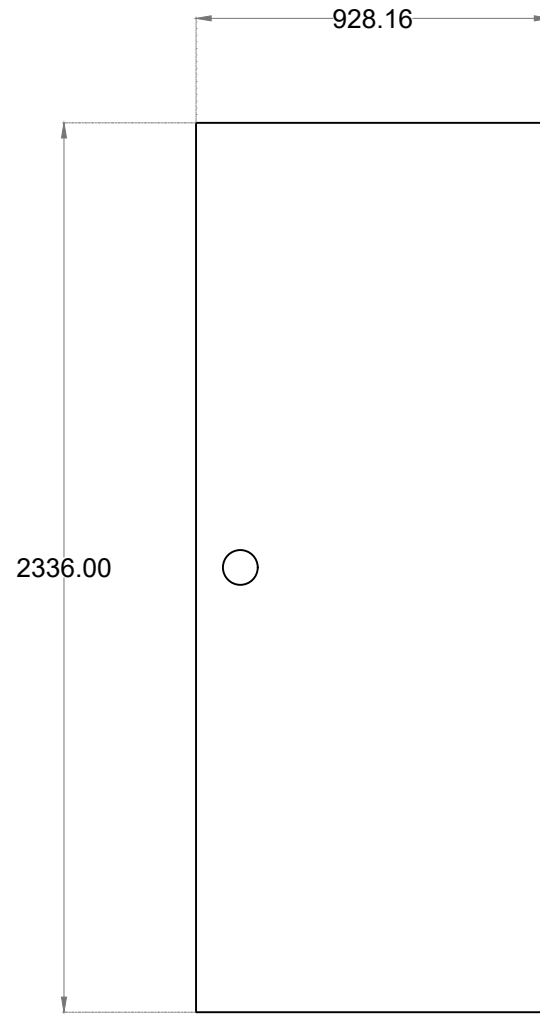


Project Title: ---	Dwg title: SEAPLANE LOUNGE	Location: MDV SEAPLANE TERMINAL	Department: FACILITIES MANAGEMENT SERVICES	Design & Drawn: M ohamed Shifau	Date: April 27, 2022	Scale: 1:50	Dwg No: --- Dwg No: ---	FACILITIES AND MAINTENANCE
-----------------------	-------------------------------	------------------------------------	---	------------------------------------	-------------------------	----------------	----------------------------	----------------------------

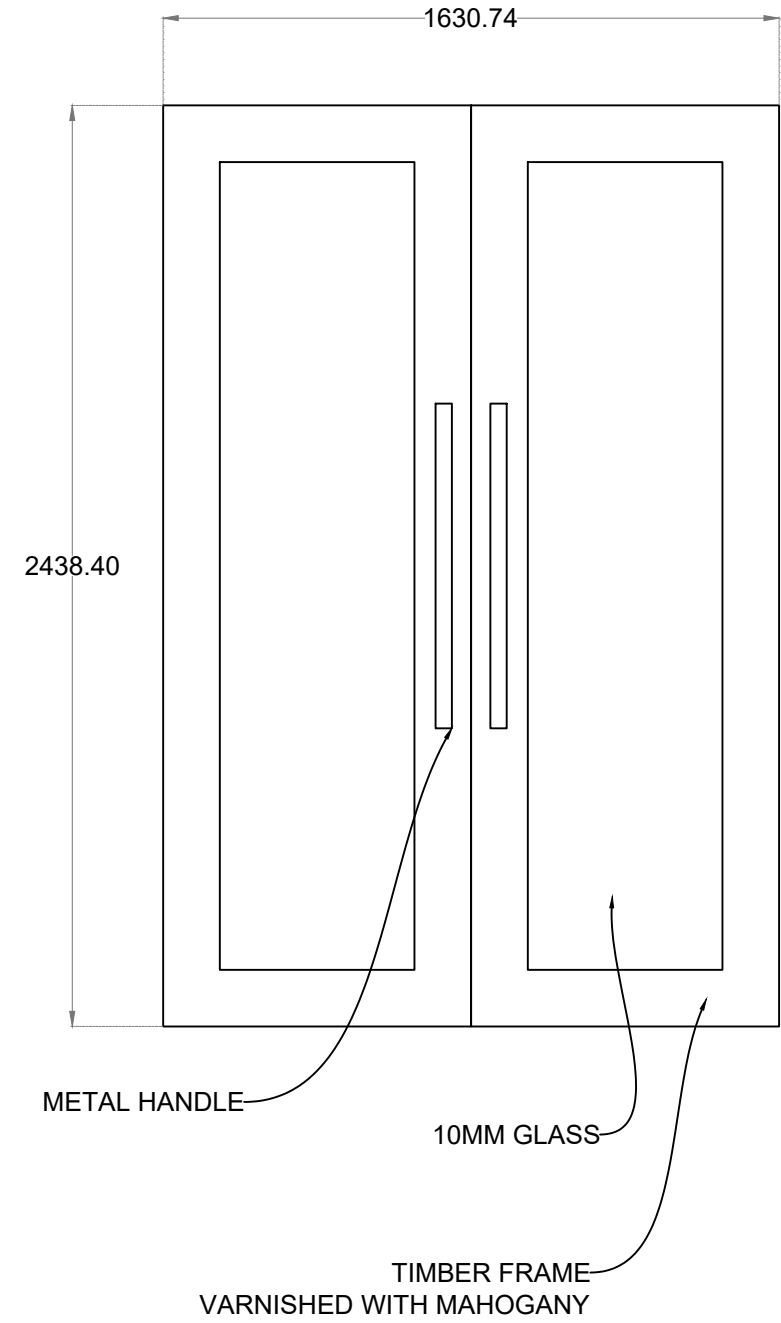
# D1



# D2



# D3



Project Title:

---

Dwg title:

SEAPLANE LOUNGE

Location:

MDV SEAPLANE TERMINAL

Department:

FACILITIES MANAGEMENT SERVICES

Design & Drawn:

---

Date:

April 27, 2022

Scale:

1:50

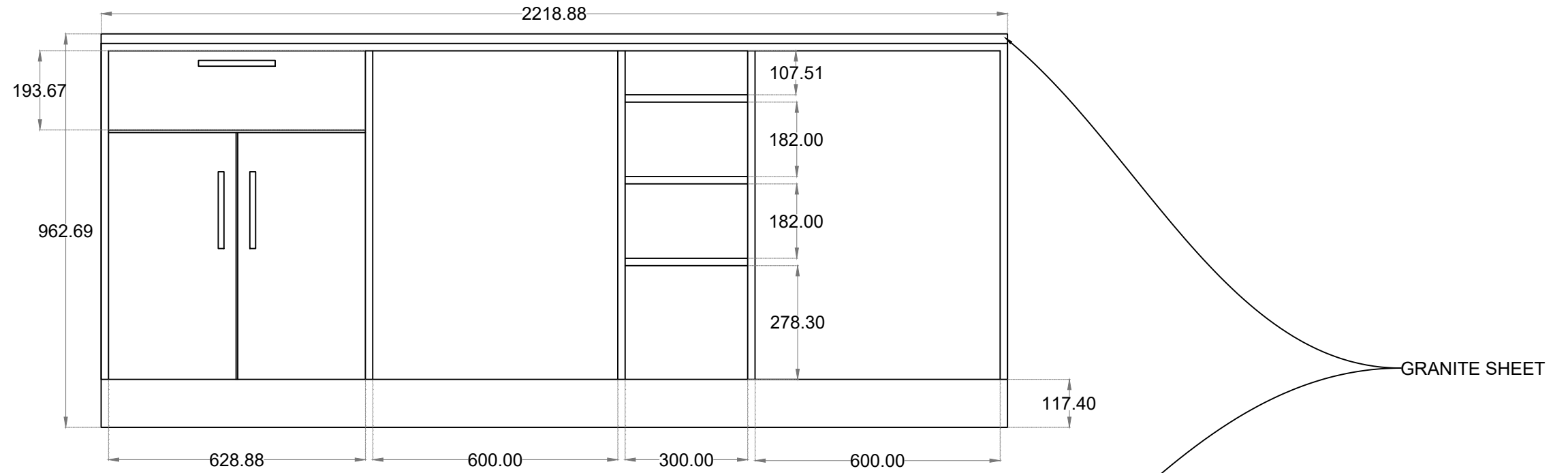
Dwg No: ---

---

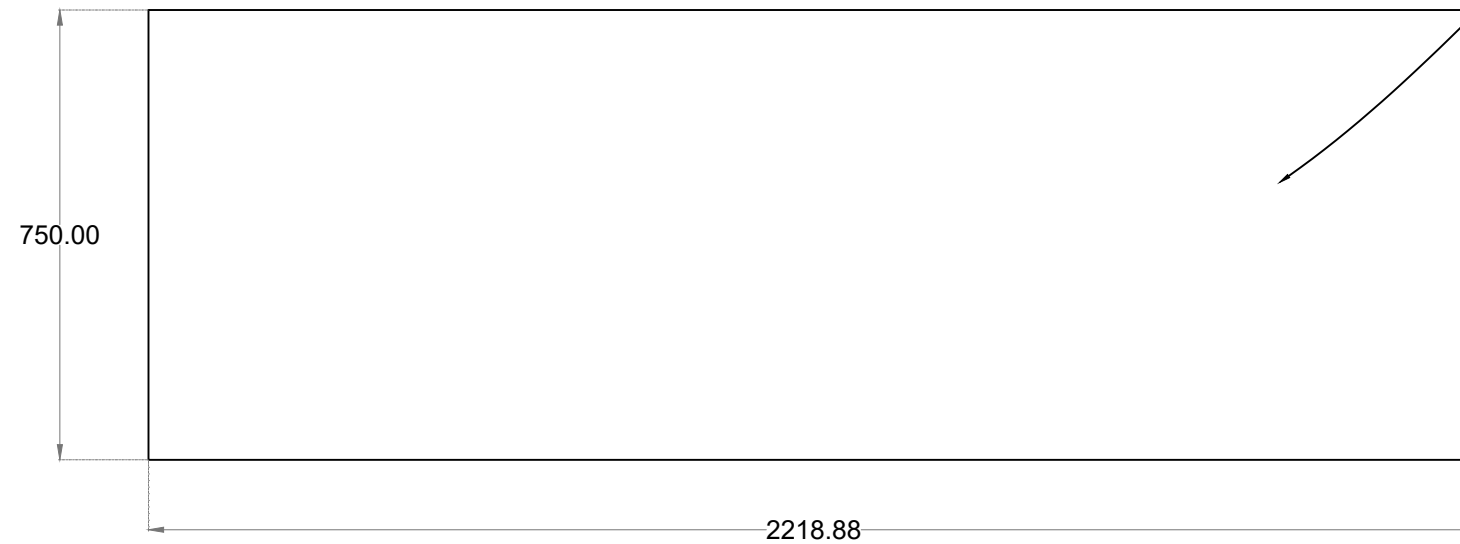


FACILITIES AND MAINTENANCE

FRONT ELEVATION



TOP ELEVATION



BUFFET COUNTER

Project Title:

---

Dwg title:

SEAPLANE LOUNGE

Location:

MDV SEAPLANE TERMINAL

Department:

FACILITIES MANAGEMENT SERVICES

Design & Drawn:

---

Date:

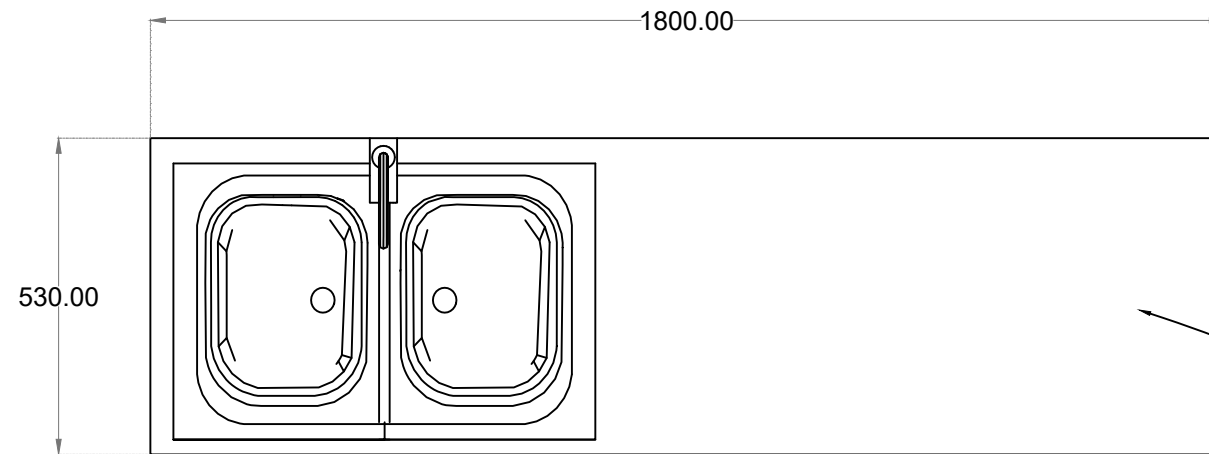
April 27, 2022

Scale:

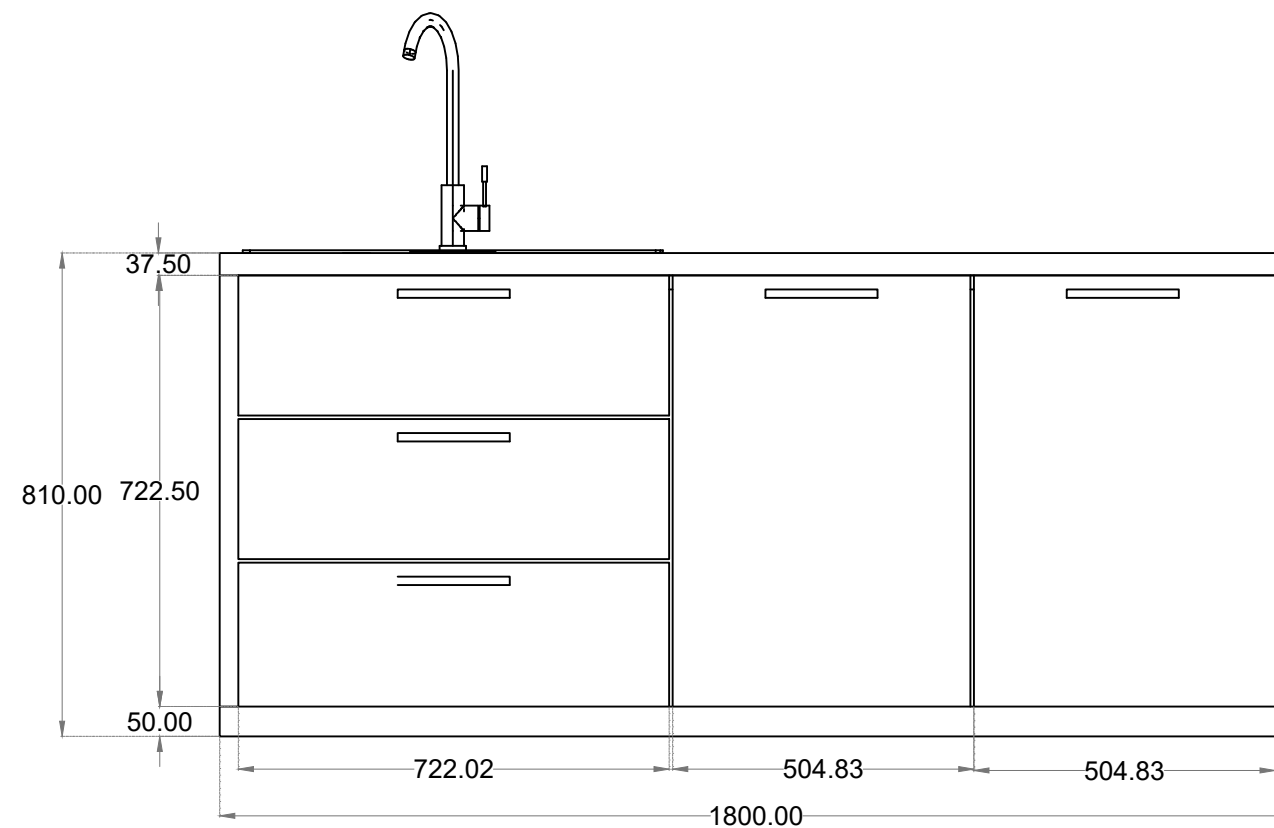
Dwg No: ---

FACILITIES AND MAINTENANCE

TOP ELEVATION



FRONT ELEVATION



SINK CABINET

GRANITE SHEET

Project Title:

---

Dwg title:

SEAPLANE LOUNGE

Location:

MDV SEAPLANE TERMINAL

Department:

FACILITIES MANAGEMENT SERVICES

Design & Drawn:

---

Date:

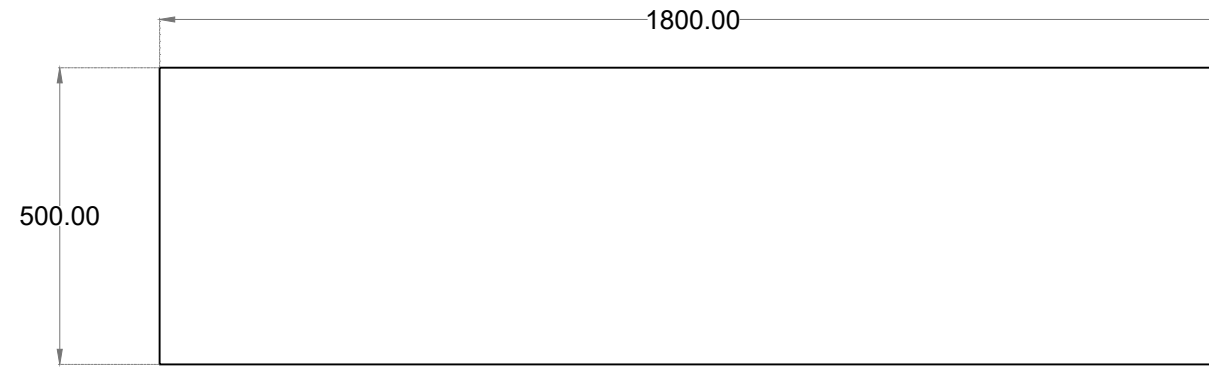
April 27, 2022

Scale:

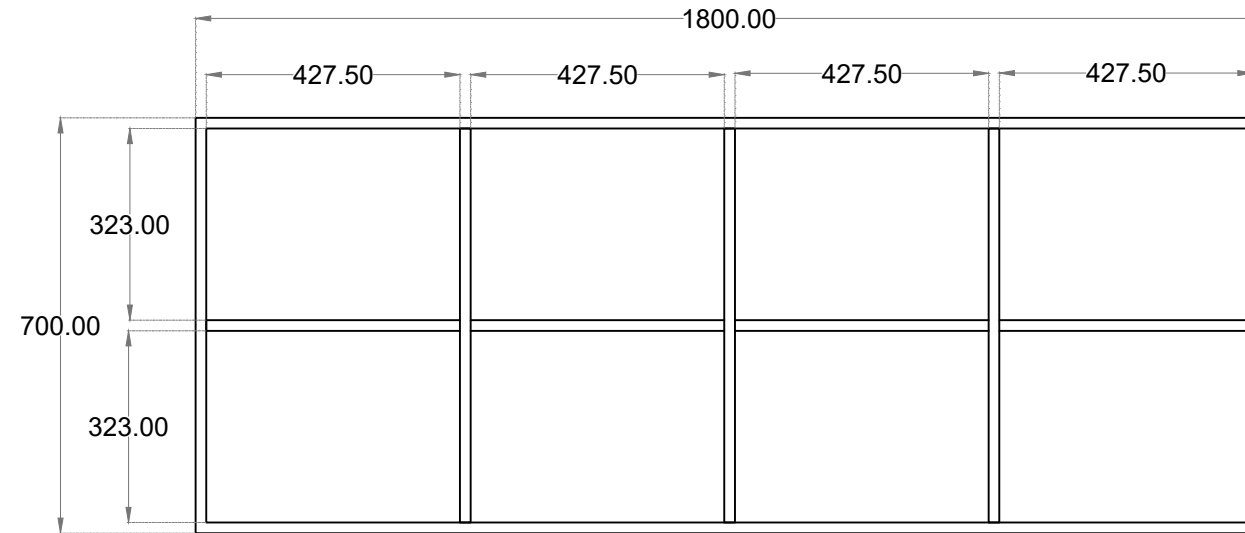
Dwg No: ---

FACILITIES AND MAINTENANCE

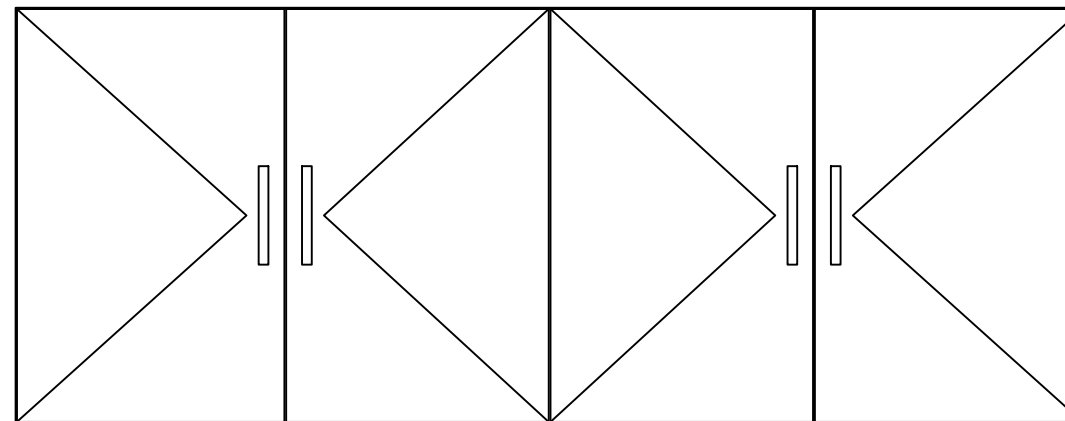
TOP ELEVATION



FRONT ELEVATION



OVERHEAD CABINET



Project Title:

---

Dwg title:

SEAPLANE LOUNGE

Location:

MDV SEAPLANE TERMINAL

Department:

FACILITIES MANAGEMENT SERVICES

Design & Drawn:

---

Date:

April 27, 2022

Scale:

Dwg No: ---

\_\_\_\_\_

FACILITIES AND MAINTENANCE