

Project Title:
LOUNGE TABLE & CHAIR

Dwg title:
ELEVATION/PLAN

Location:
MALDIVIAN SEAPLANE

Department:
FACILITIES MANAGEMENT

Design & Drawn:
M.SHIFAU

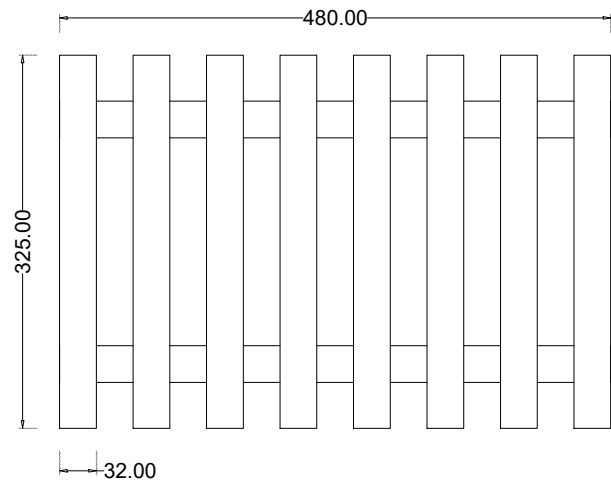
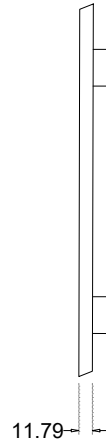
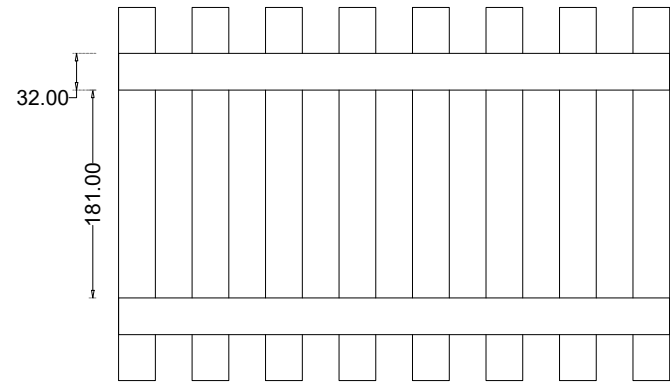
Date:
April 27, 2022

Scale:

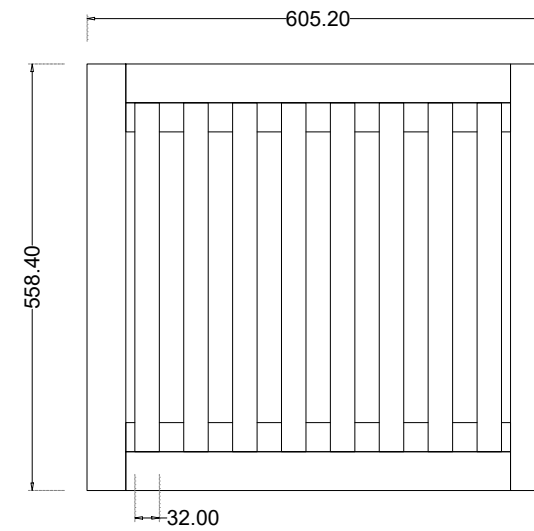
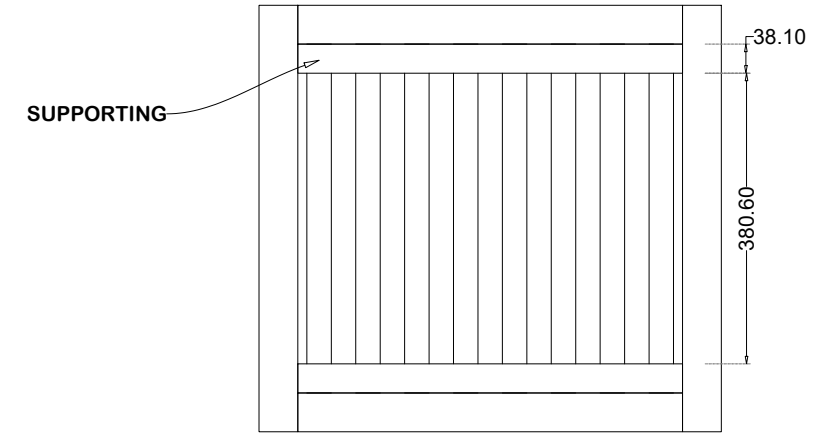
Dwg No: 001
Rev No: ---

FACILITIES AND MAINTENANCE

GRILL 01



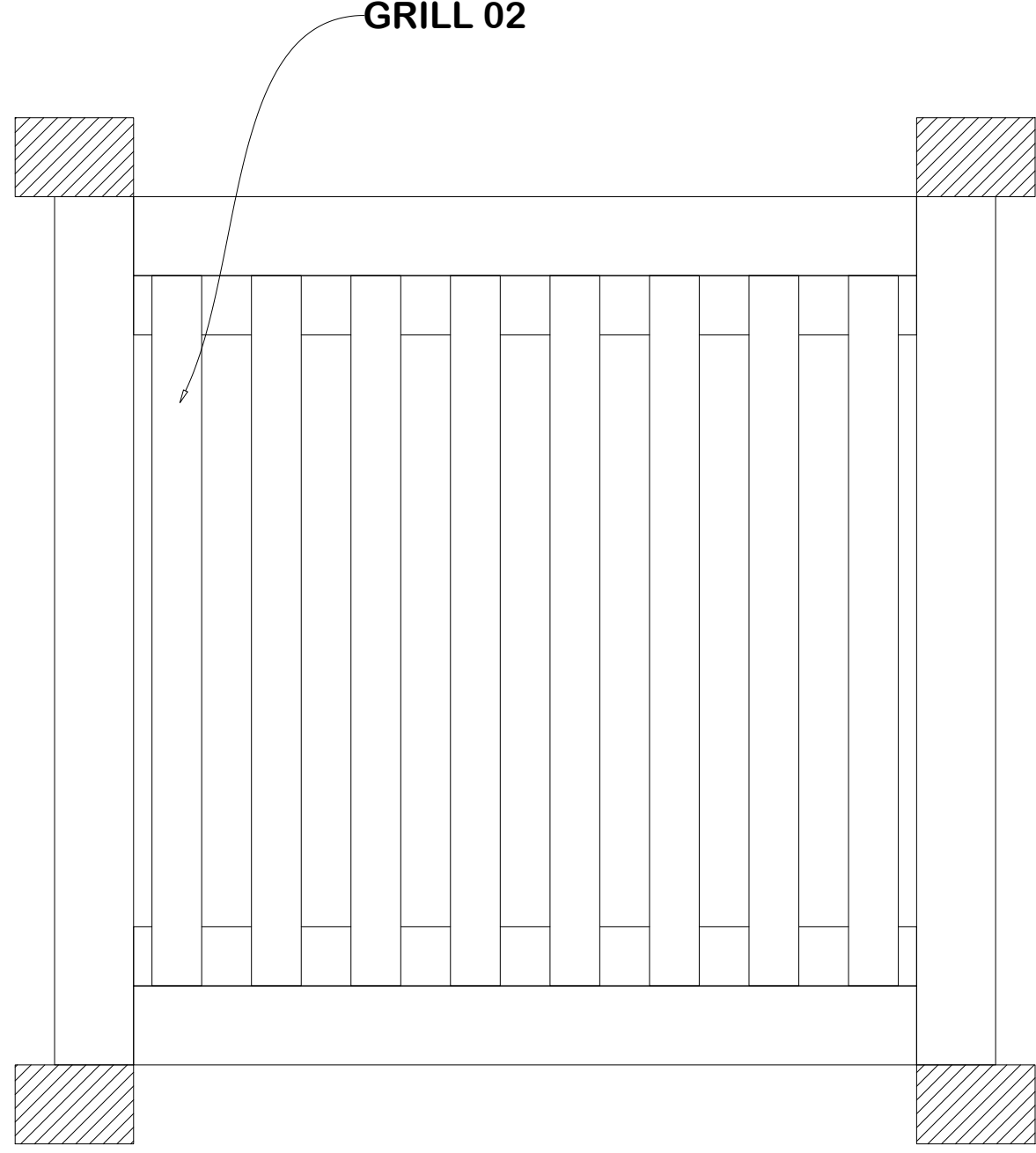
GRILL 02



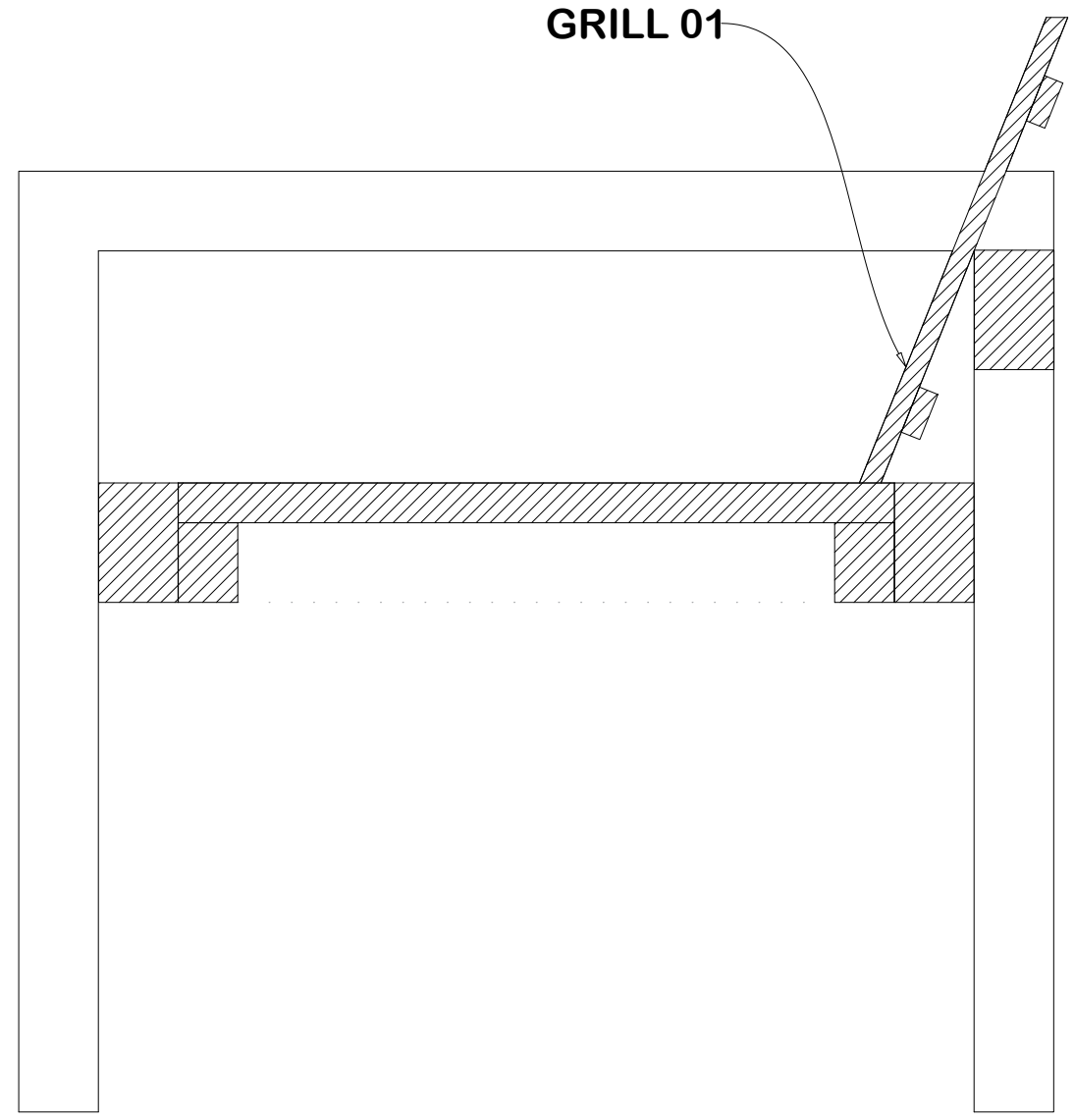
SECTION - C

SECTION - B

GRILL 02



GRILL 01



Project Title:
LOUNGE TABLE & CHAIR

Dwg title:
ELEVATION/PLAN

Location:
MALDIVIAN SEAPLANE

Department:
FACILITIES MANAGEMENT

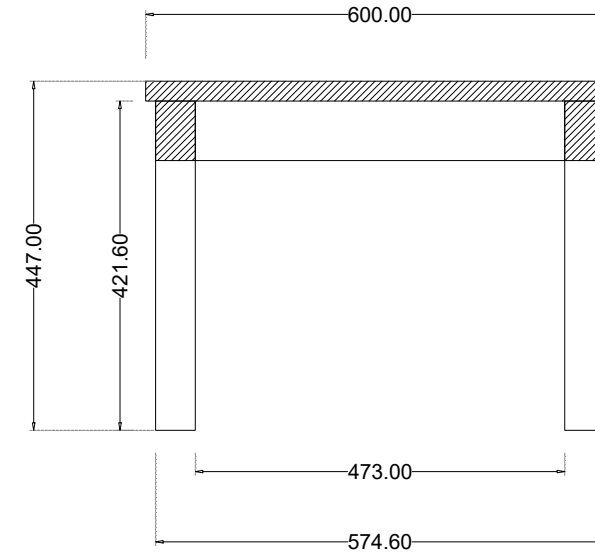
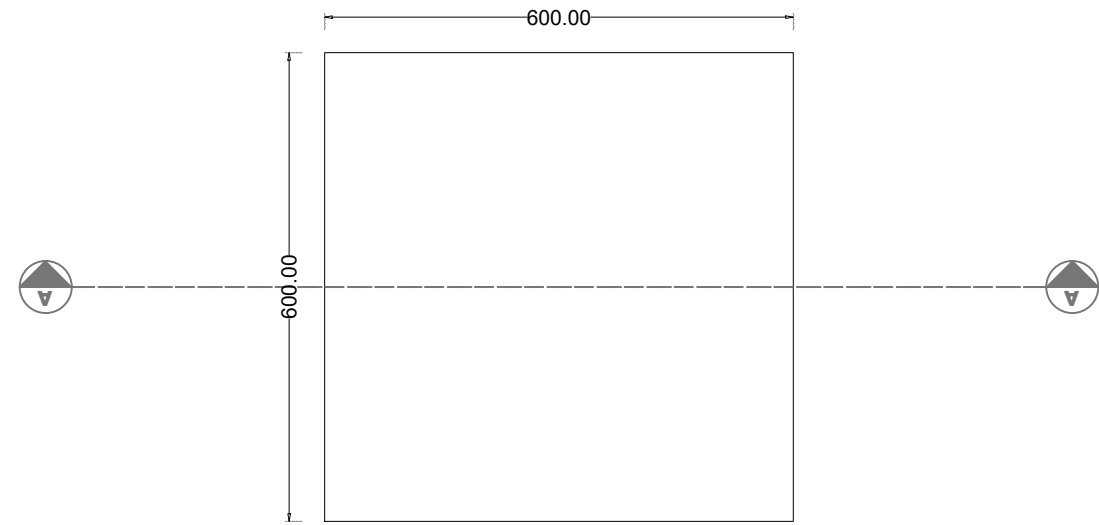
Design & Drawn:
M.SHIFAU

Date:
April 27, 2022

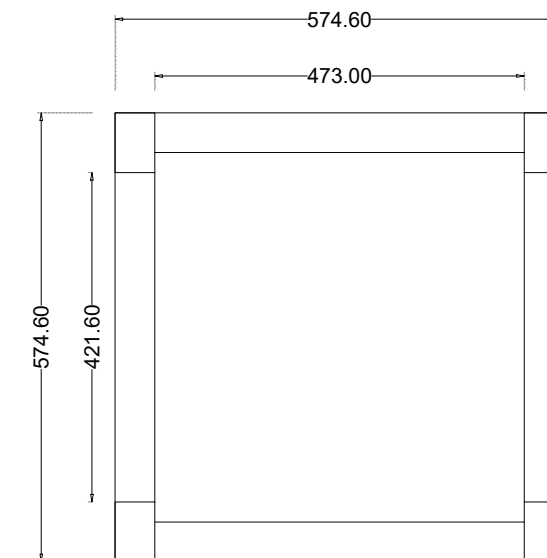
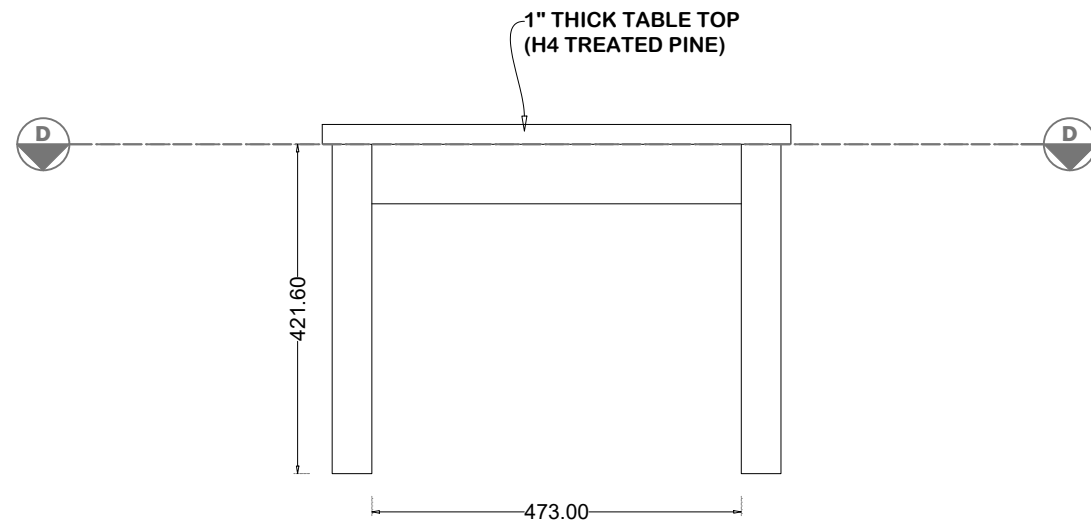
Scale:

Dwg No: 003
Rev No: ---

FACILITIES AND MAINTENANCE



SECTION - A



SECTION - D

Project Title:
LOUNGE TABLE & CHAIR

Dwg title:
ELEVATION/PLAN

Location:
MALDIVIAN SEAPLANE

Department:
FACILITIES MANAGEMENT

Design & Drawn:
M.SHIFAU

Date:
April 27, 2022

Scale:

Dwg No: 004
Rev No: ---

FACILITIES AND MAINTENANCE

SPECIFICATIONS

CHAIR

1. H4 Treated pine wood shall be used for fabrication
2. All screw taps shall be invisible.
3. Application of solignum on entire table.
4. Entire chair shall be polished and varnished with clear.
5. Quantity: 35nos

TABLE

2. H4 Treated pine wood shall be used for fabrication.
3. Application of solignum on entire table.
4. All screw taps shall be invisible.
5. Entire table shall be polished and varnished with clear gloss.
6. Quantity: 20nos