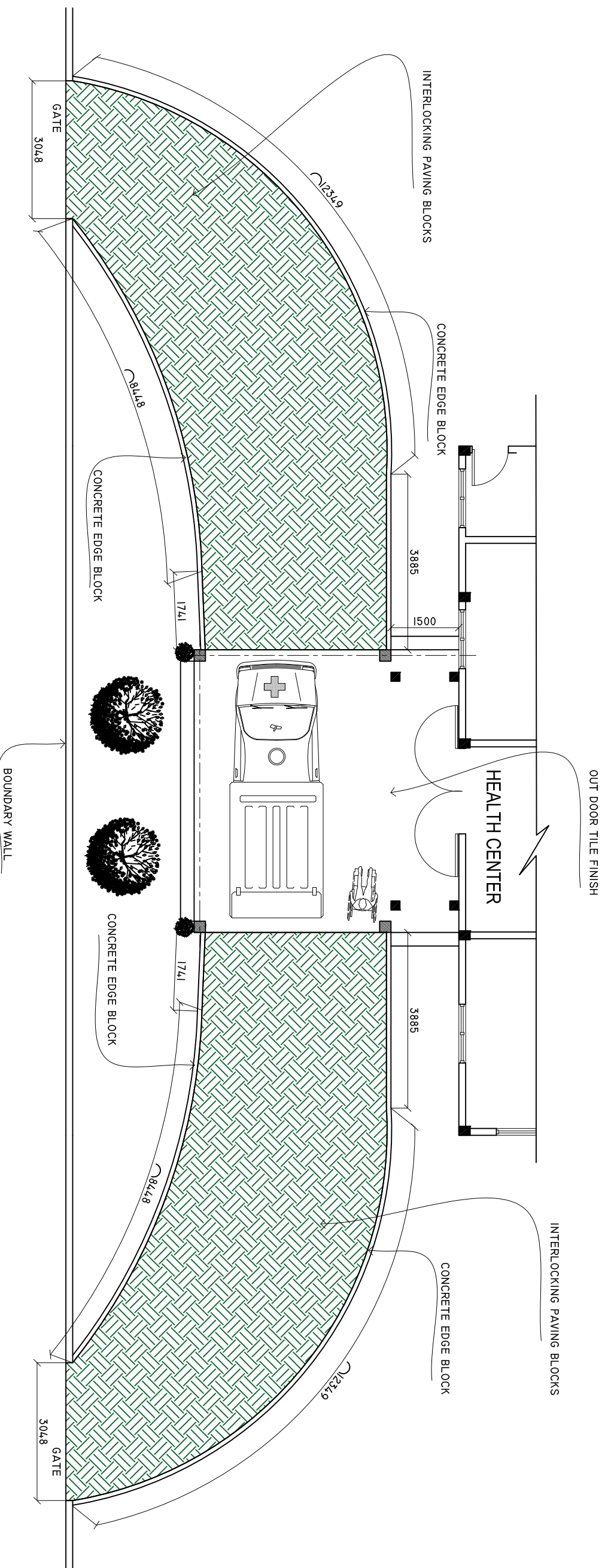


# TH. OMADHOO HEALTH CENTER PORTICO AND PAVING AREA.

SCALE: 1 : 100



SHEET CONTENTS :

REVISION NOTES:

PROJECT:  
CONSTRUCTION OF  
AMBULANCE PORTICO

CLIENT:  
MINISTRY OF HEALTH

LOCATION:  
DIFFERENT ISLANDS

CONTENTS: AS GIVEN

PROJECT MANAGER:

DESIGNER: ARIZ

CIV/STR. ENGINEER:

SURVEYED BY: -

DRAWN BY: ARIZ

CHECKED BY:

DATE : FEBRUARY 2021

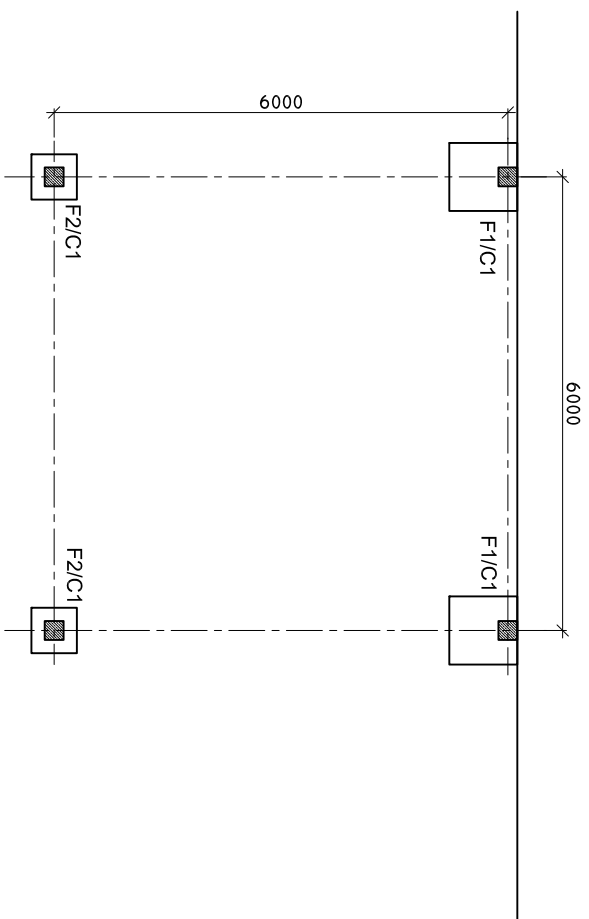
SHEET NO. : /

PAPER SIZE: A3



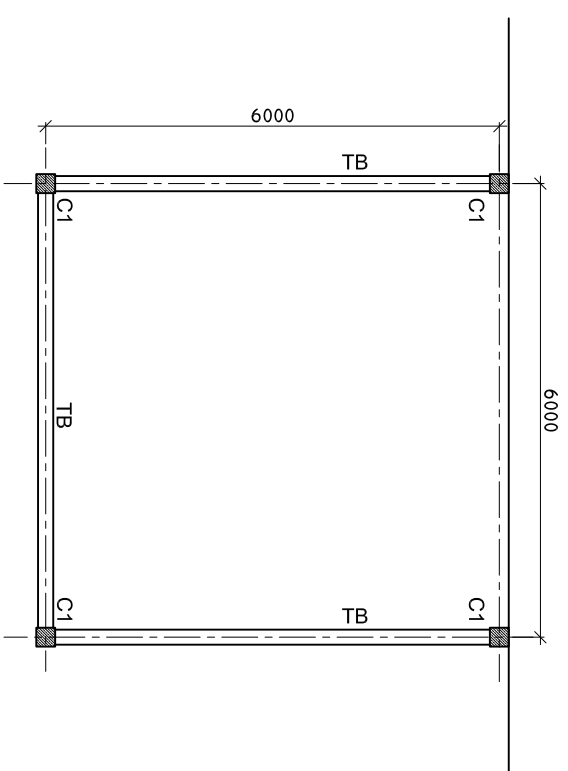
## COLUMN AND FOOTING PLAN

SCALE: 1 : 100



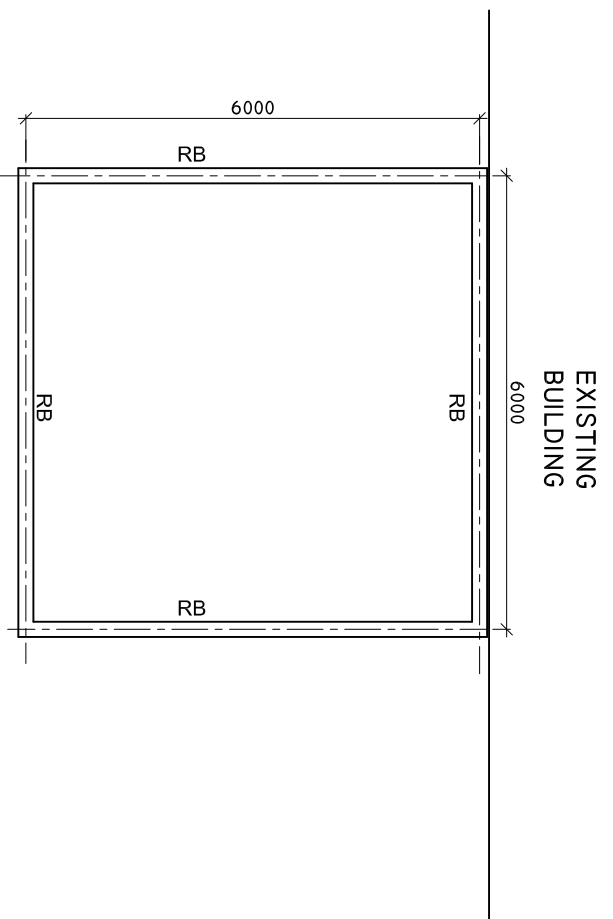
## TIE BEAM PLAN

SCALE: 1 : 100



## ROOF BEAM PLAN

SCALE: 1 : 100



SHEET CONTENTS :

REVISION NOTES:

PROJECT:  
CONSTRUCTION OF  
AMBULANCE PORTICO

CLIENT:

MINISTRY OF HEALTH

LOCATION:  
DIFFERENT ISLANDS

CONTENTS: AS GIVEN

PROJECT MANAGER:

DESIGNER: ARIZ

CIV/STR. ENGINEER:

SURVEYED BY: -

DRAWN BY: ARIZ

CHECKED BY:

DATE : FEBRUARY 2021

SHEET NO. : /

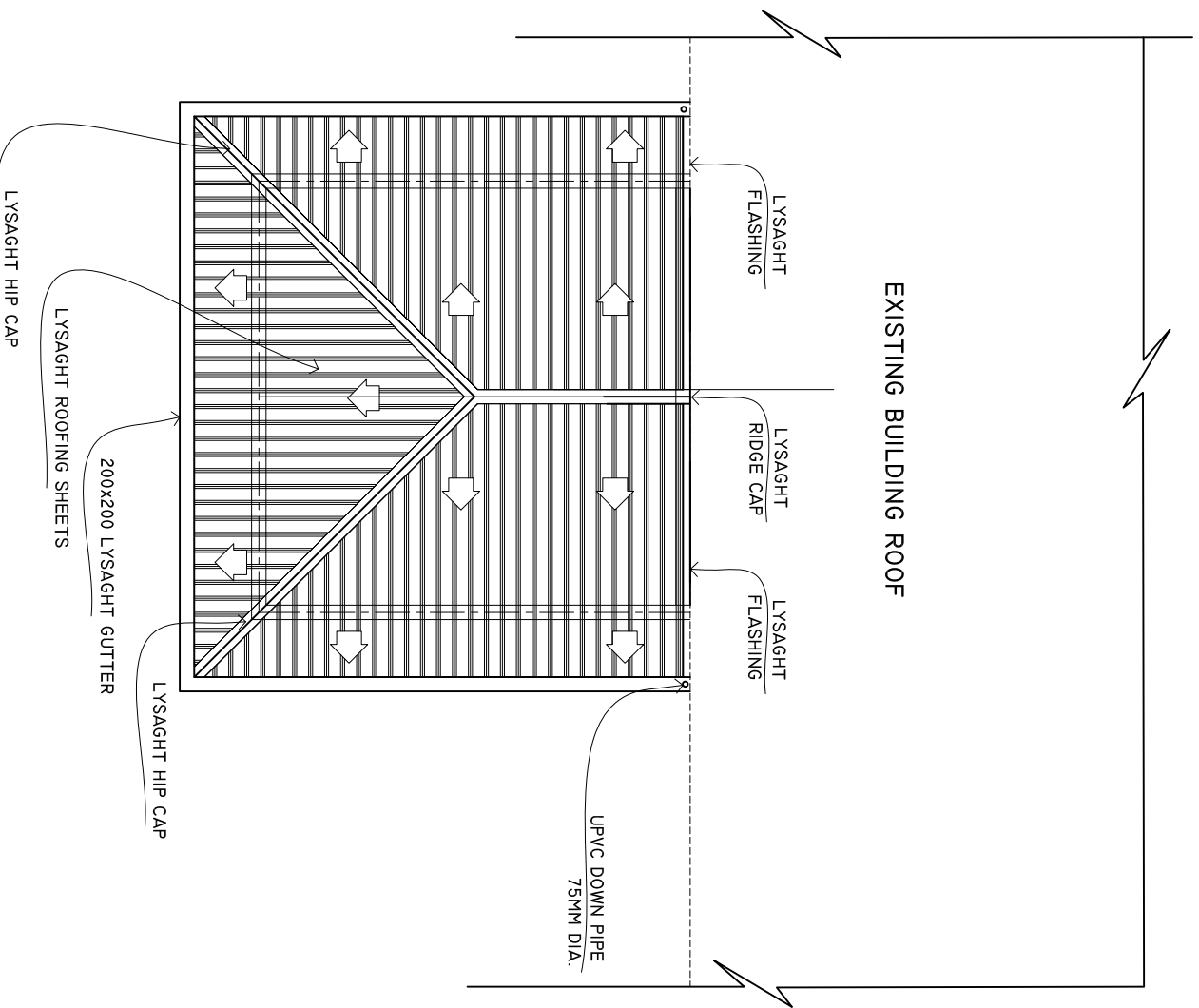
PAPER SIZE: A3



ADMIN DIVISION  
Ministry of Health  
Roshanae Building  
Soana Maaga  
Tel: 332 8887, Fax: 332 8889

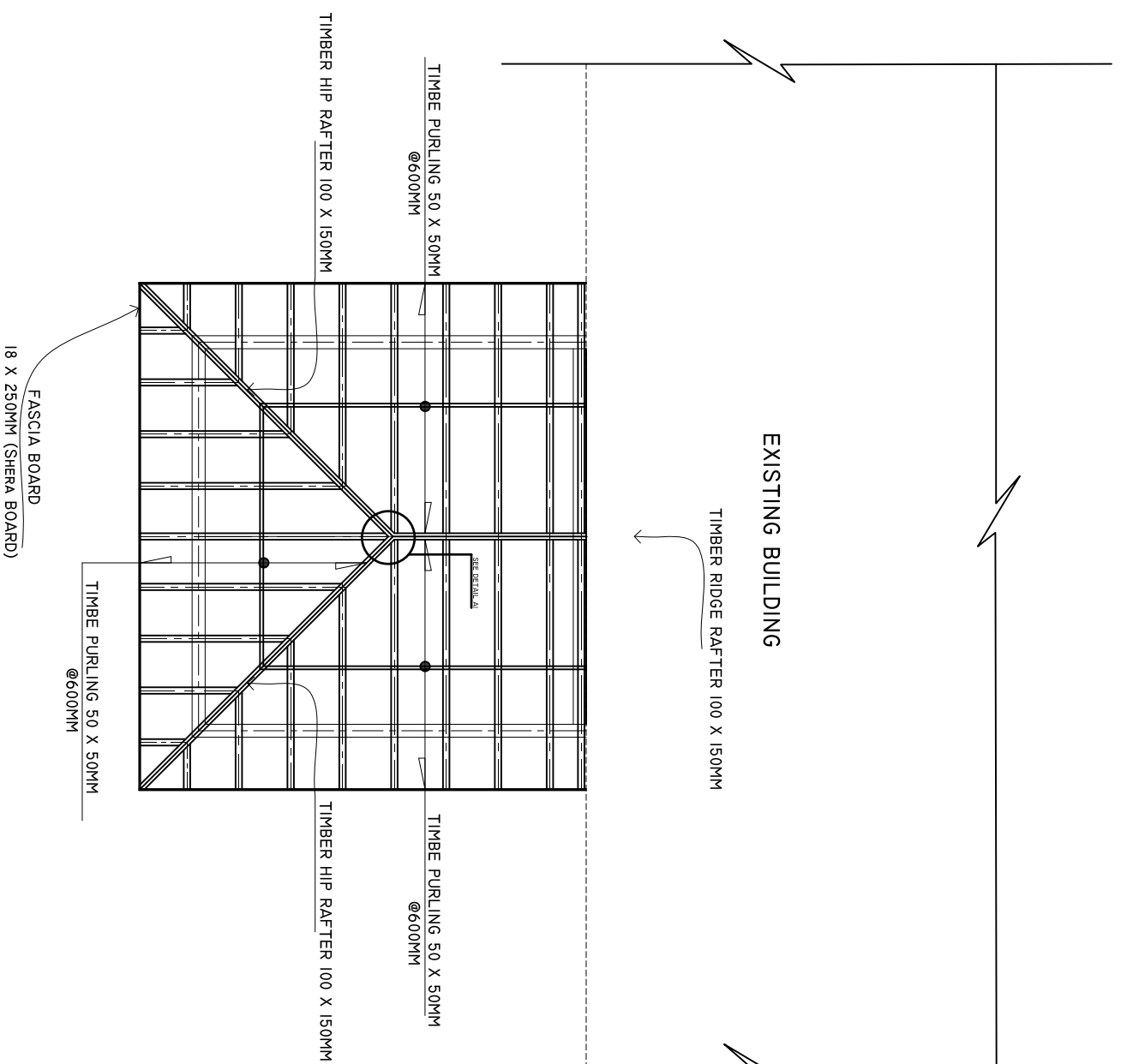
# ROOF PLAN

SCALE: 1 : 100



# ROOF FRAMING PLAN

SCALE: 1 : 100



SHEET CONTENTS :

REVISION NOTES:

PROJECT:  
CONSTRUCTION OF  
AMBULANCE PORTICO

CLIENT:  
MINISTRY OF HEALTH

LOCATION:  
DIFFERENT ISLANDS

CONTENTS: AS GIVEN

PROJECT MANAGER:

DESIGNER: ARIZ

CIV/STR. ENGINEER:

SURVEYED BY: - ARIZ

DRAWN BY: ARIZ

CHECKED BY:

DATE : FEBRUARY 2021

SHEET NO. : /

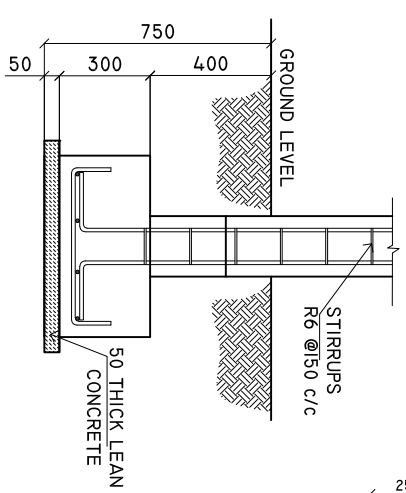
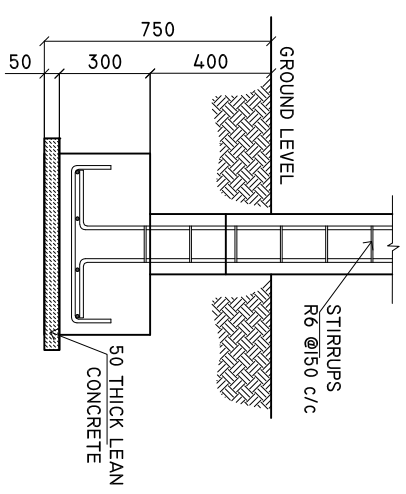
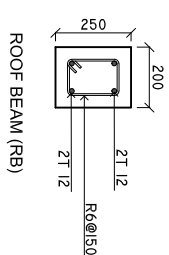
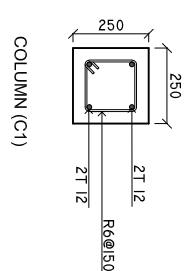
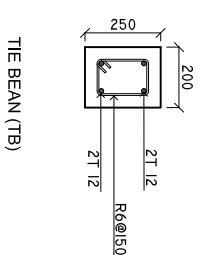
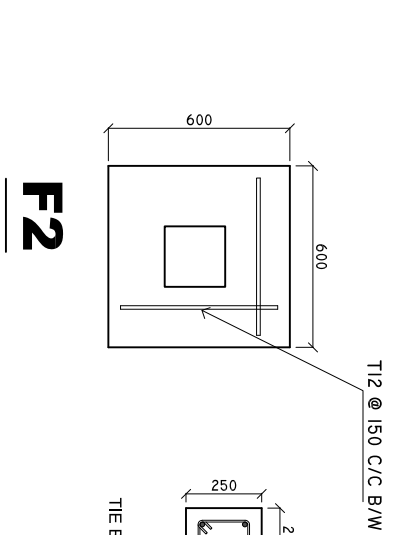
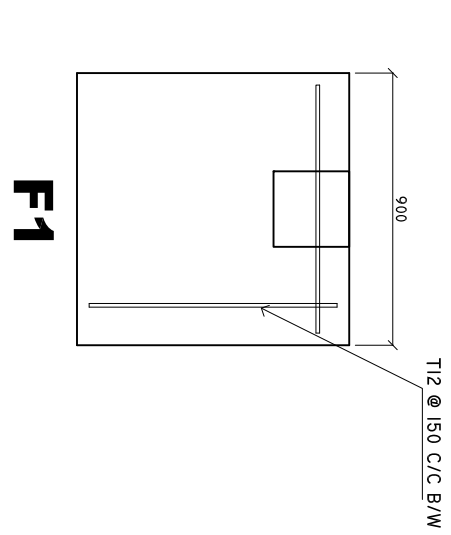
PAPER SIZE: A3



ADMIN DIVISION  
Ministry of Health  
Roshanee Building  
Soana Maaga  
Tel: 332 8887, Fax: 3328889

# DETAILS R/C

SCALE: 1 : 25



MINIMUM 50MM COVER BELOW GROUND LEVEL	ALL BAR BENDING & OVERLAPS AS PER ACTUAL BS STANDARD.
MINIMUM 30MM COVER ABOVE GROUND LEVEL	

SHEET CONTENTS :

REVISION NOTES:

PROJECT:  
CONSTRUCTION OF  
AMBULANCE PORTICO

CLIENT:  
MINISTRY OF HEALTH

LOCATION:  
DIFFERENT ISLANDS

CONTENTS: AS GIVEN

PROJECT MANAGER:

DESIGNER: ARIZ

CIV/STR. ENGINEER:

SURVEYED BY: -

DRAWN BY: ARIZ

CHECKED BY:

DATE : FEBRUARY 2021

SHEET NO. : /

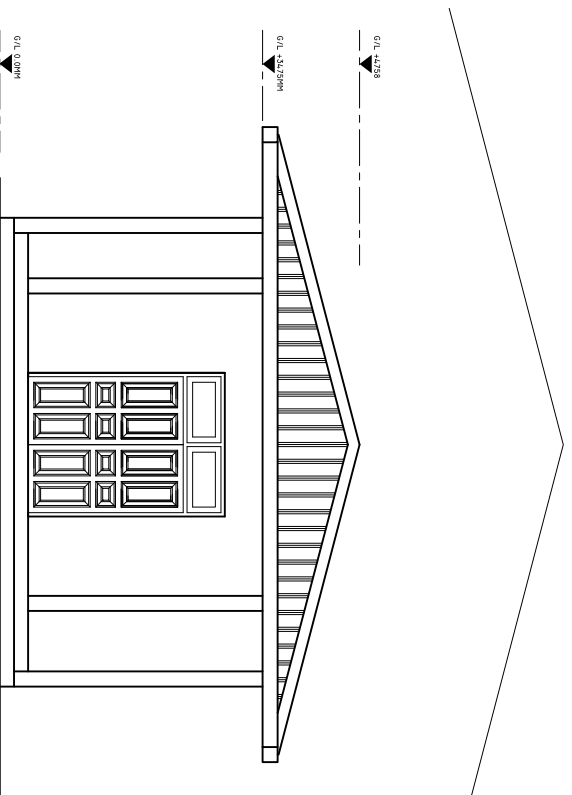
PAPER SIZE: A3



ADMIN DIVISION  
Ministry of Health  
Roshanae Building  
Soana Maqat  
Tel: 332 8887, Fax: 3328889

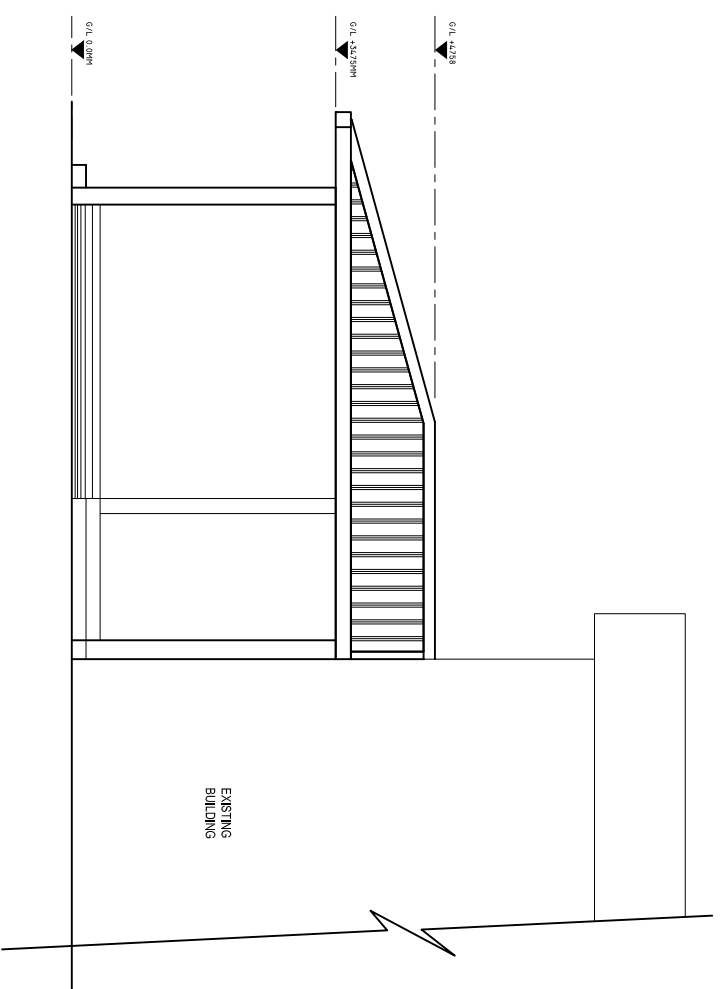
# FRONT ELEVATION

SCALE: 1 : 50



# SIDE ELEVATION

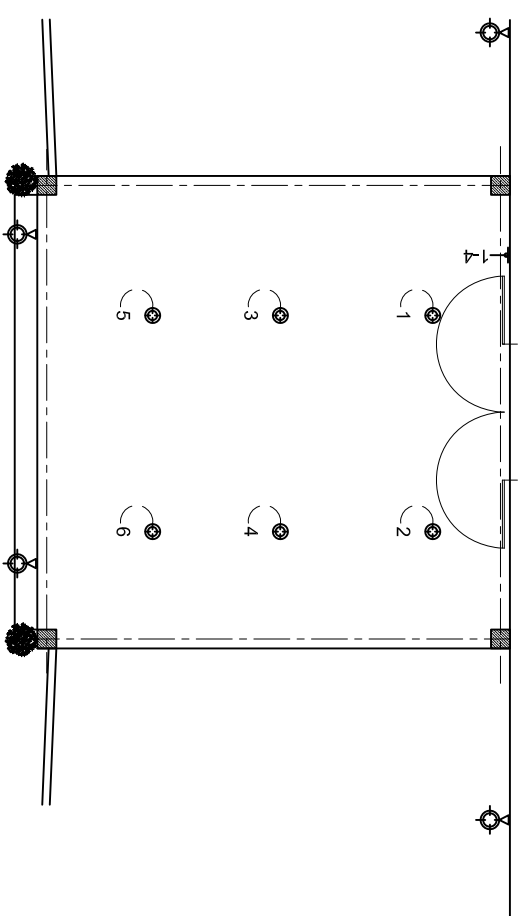
SCALE: 1 : 50



# ELECTRICAL LAYOUT

SCALE: 1 : 100

EXISTING BUILDING



## LEGEND

SYMBOL	DESCRIPTION
	OUTDOOR WEATHER PROOF LIGHT 21W PHILIPS.
	FOUR GANG SWITCH
	OUTDOOR WEATHER PROOF LIGHT 21W PHILIPS.

SHEET CONTENTS :

REVISION NOTES:

PROJECT:  
CONSTRUCTION OF  
AMBULANCE PORTICO

CLIENT:

MINISTRY OF HEALTH

LOCATION:  
DIFFERENT ISLANDS

CONTENTS: AS GIVEN

PROJECT MANAGER:

DESIGNER: ARIZ

CIV/STR. ENGINEER:

SURVEYED BY: -

DRAWN BY: ARIZ

CHECKED BY:

DATE : FEBRUARY 2021

SHEET NO. : /

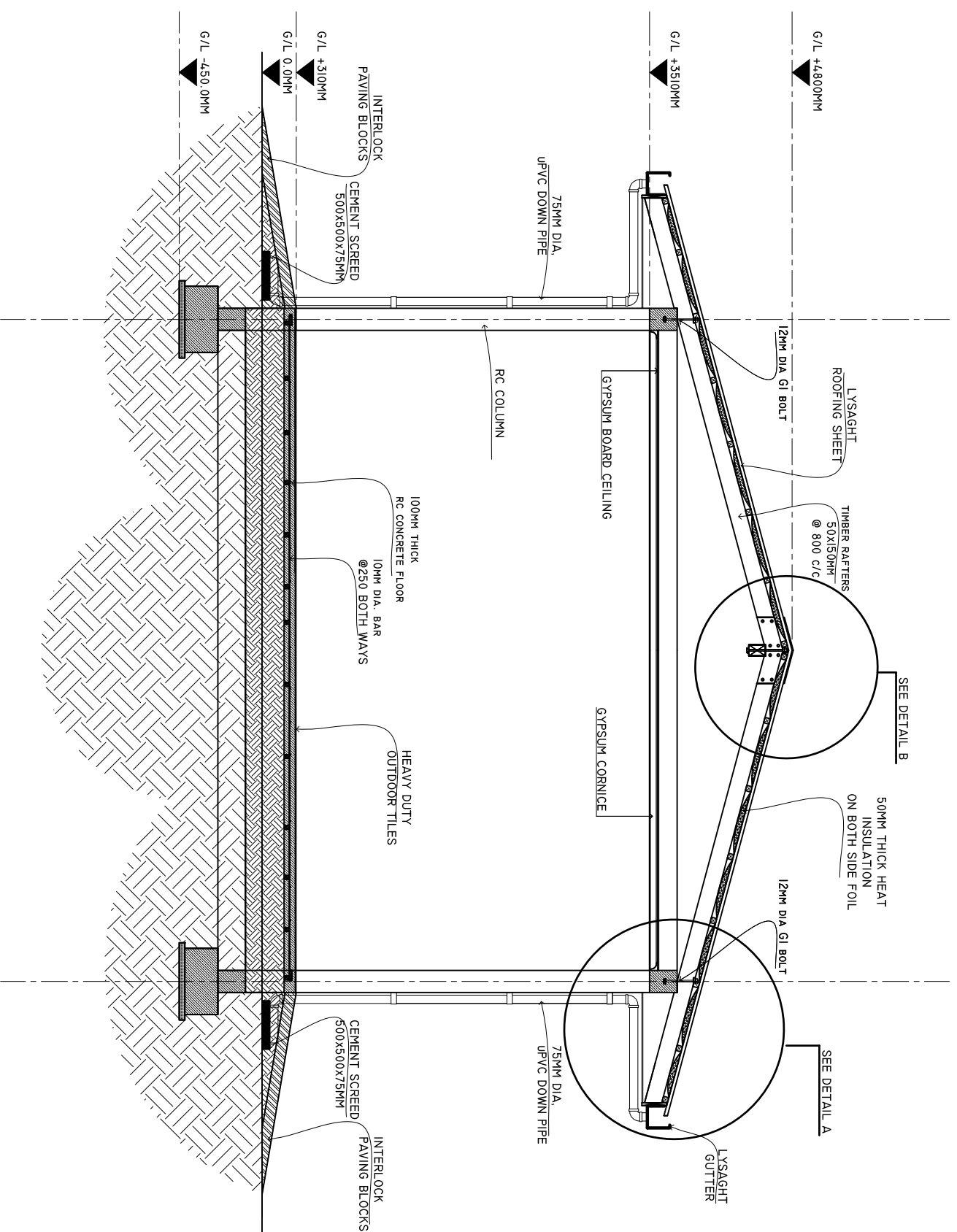
PAPER SIZE: A3



ADMIN DIVISION  
Ministry of Health  
Roshanae Building  
Soana Maqat  
Tel: 332 88877, Fax: 332 88899

# CROSS SECTION X-X

SCALE: 1 : 50



SHEET CONTENTS :

REVISION NOTES:

PROJECT:  
CONSTRUCTION OF  
AMBULANCE PORTICO

CLIENT:

MINISTRY OF HEALTH

LOCATION:  
DIFFERENT ISLANDS

CONTENTS: AS GIVEN

PROJECT MANAGER:

DESIGNER: ARIZ

CIV/STR. ENGINEER:

SURVEYED BY: -

DRAWN BY: ARIZ

CHECKED BY:

DATE : FEBRUARY 2021

SHEET NO. : /

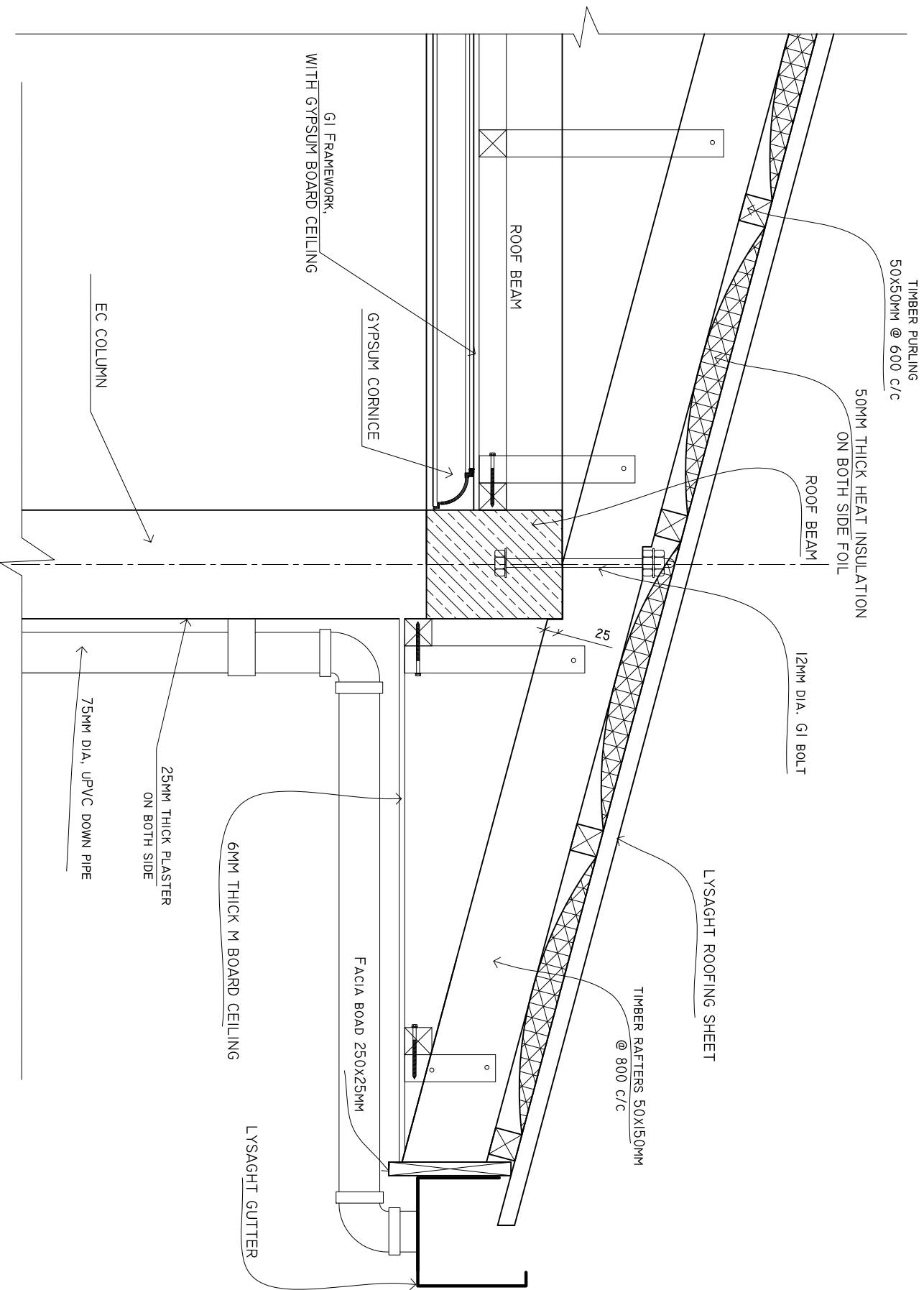
PAPER SIZE: A3



ADMIN DIVISION  
Ministry of Health  
Roshanwe Building  
Soosai Maaga  
Tel: 332 8887, Fax: 3328889

# DETAIL A

SCALE: 1 : 10



SHEET CONTENTS :

REVISION NOTES:

PROJECT:  
CONSTRUCTION OF  
AMBULANCE PORTICO

CLIENT:  
MINISTRY OF HEALTH

LOCATION:  
DIFFERENT ISLANDS

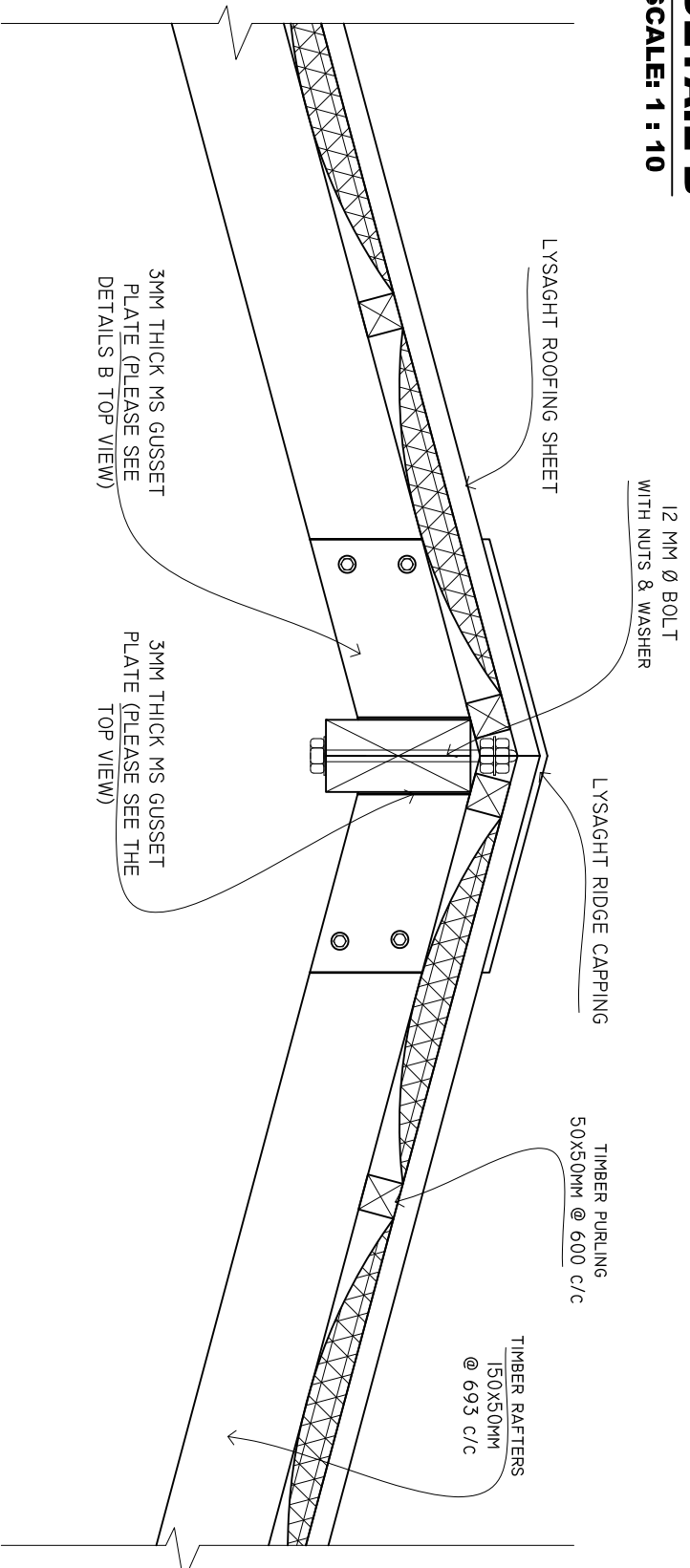
CONTENTS: AS GIVEN

PROJECT MANAGER:  
DESIGNER: ARIZ  
CIV/STR. ENGINEER:  
SURVEYED BY: -  
DRAWN BY: ARIZ  
CHECKED BY:  
DATE : FEBRUARY 2021  
SHEET NO. : /  
PAPER SIZE: A3



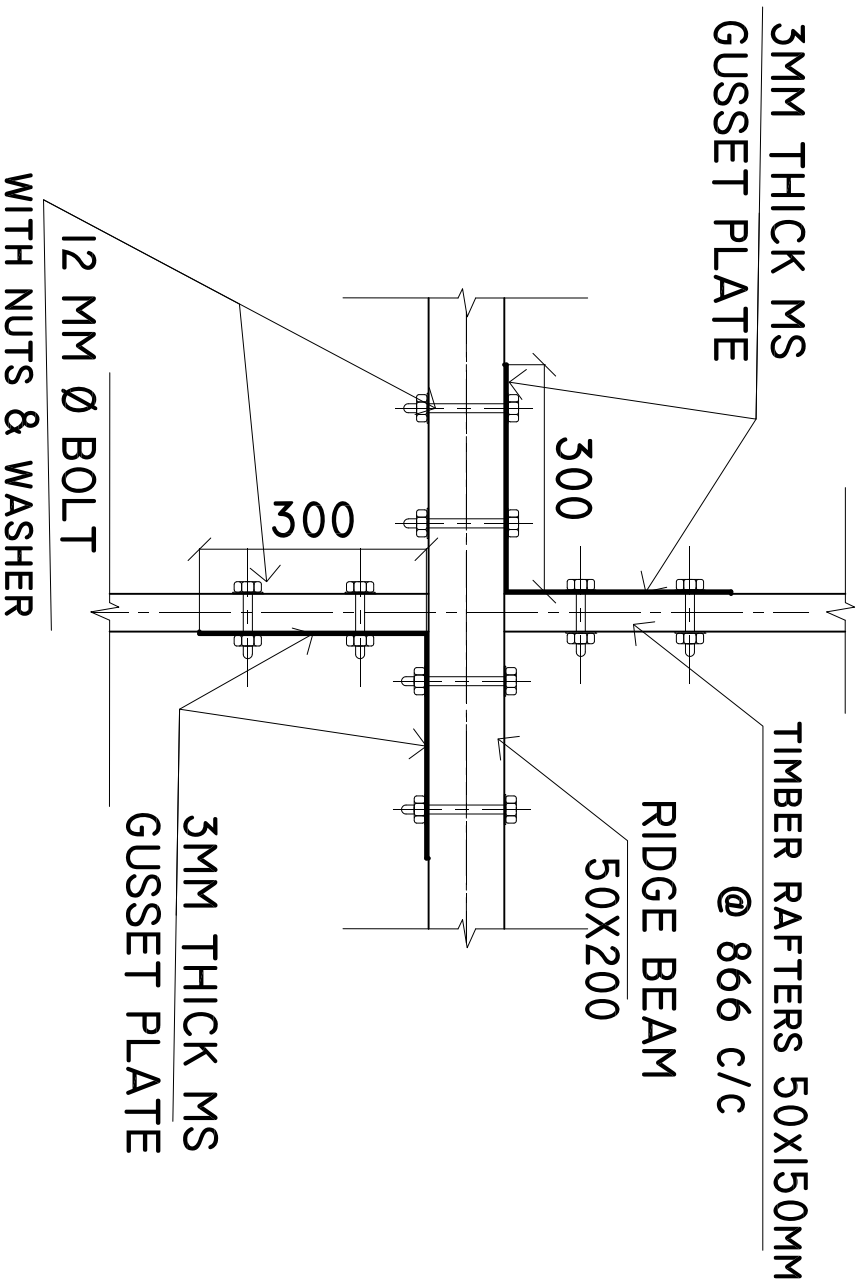
# DETAIL B

SCALE: 1 : 10



# DETAILS B (TOP VIEW)

SCALE: 1 : 10



SHEET CONTENTS :

REVISION NOTES:

PROJECT:

CONSTRUCTION OF  
AMBULANCE PORTICO

CLIENT:

MINISTRY OF HEALTH

LOCATION:

DIFFERENT ISLANDS

CONTENTS: AS GIVEN

PROJECT MANAGER:

DESIGNER: ARIZ

CIV/STR. ENGINEER:

SURVEYED BY: -

DRAWN BY: ARIZ

CHECKED BY:

DATE : FEBRUARY 2021

SHEET NO. : /

PAPER SIZE: A3

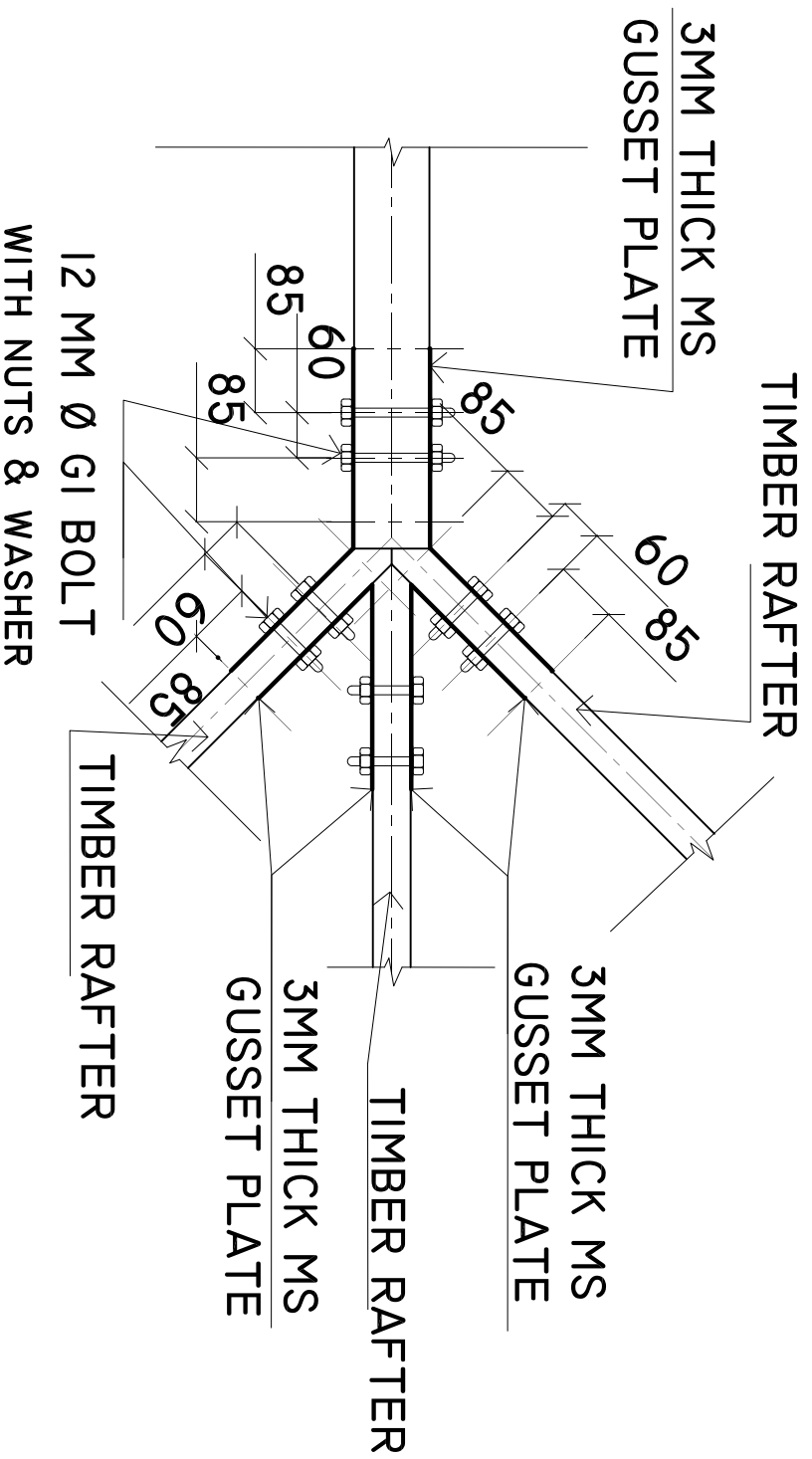


ADMIN DIVISION  
Ministry of Health  
Roshanee Building  
Saanu Maagol  
Tel: 332 8887, Fax: 332 8889



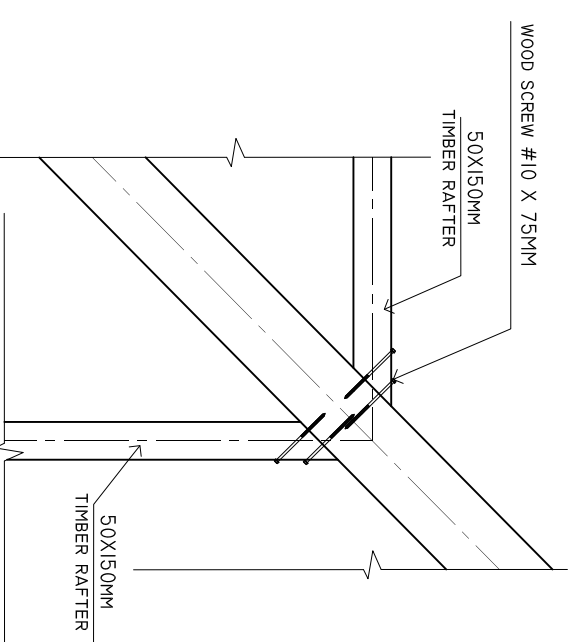
# DETAILS A1

SCALE: 1 : 10



## HIP RAFTER CONNECTION DETAIL

SCALE: 1 : 10



SHEET CONTENTS :

REVISION NOTES:

PROJECT: CONSTRUCTION OF AMBULANCE PORTICO

CLIENT:

MINISTRY OF HEALTH

LOCATION:

DIFFERENT ISLANDS

CONTENTS: AS GIVEN

PROJECT MANAGER:

DESIGNER: ARIZ

CIV/STR. ENGINEER:

SURVEYED BY: -

DRAWN BY: ARIZ

CHECKED BY:

DATE : FEBRUARY 2021

SHEET NO. : /

PAPER SIZE: A3



ADMIN DIVISION  
Ministry of Health  
Roshanae Building  
Soana Maaga  
Tel: 332 8887, Fax: 332 8889