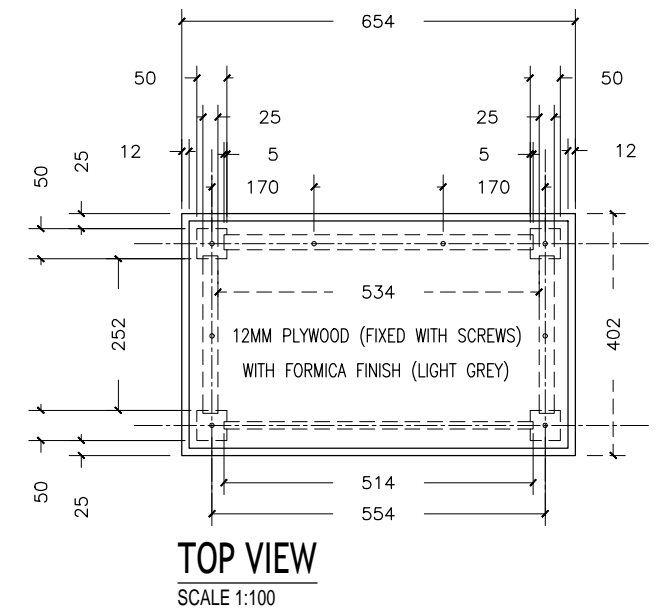
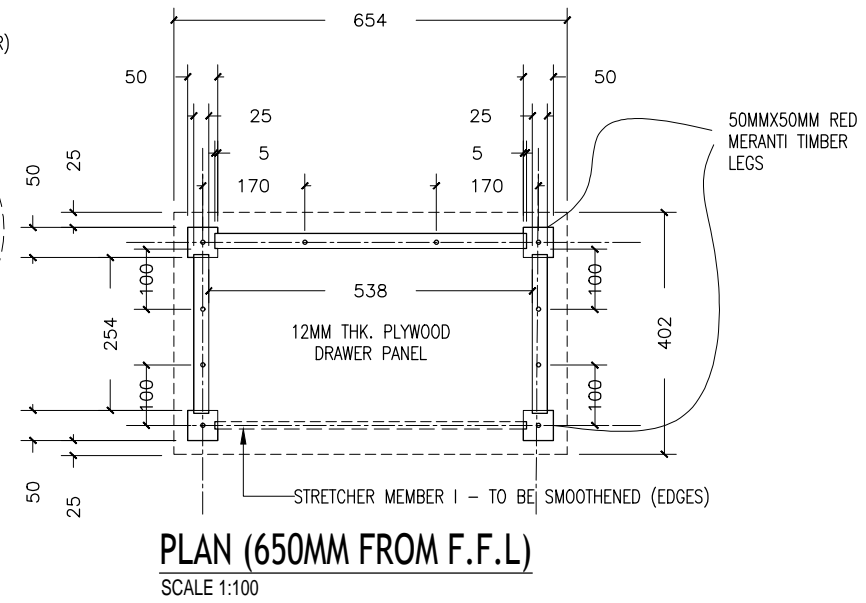
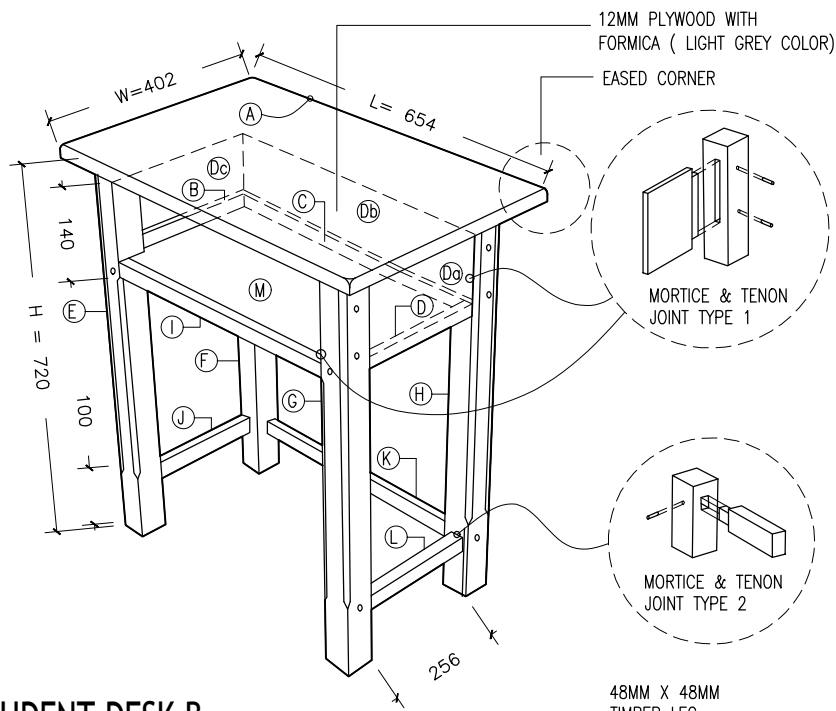




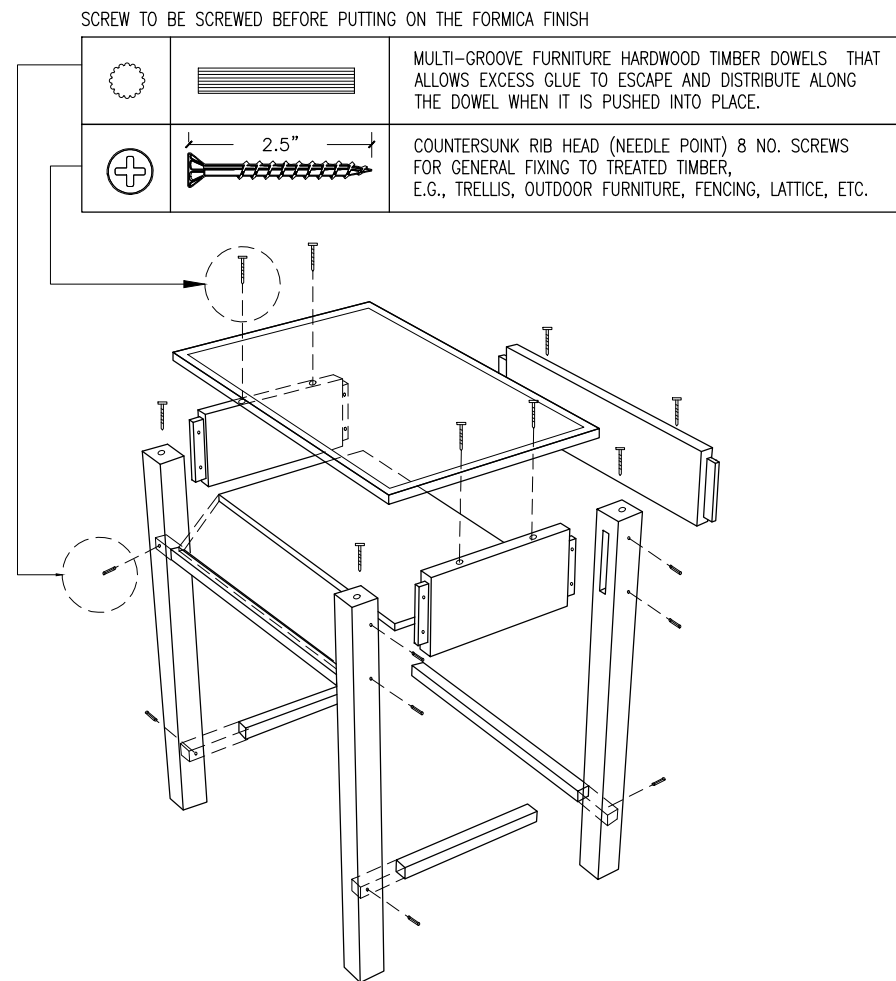
1. Total height = 795mm to 805mm
2. Width = 440mm to 455mm
3. Seating height = 420mm to 435mm
4. Seating width = 380mm to 390mm



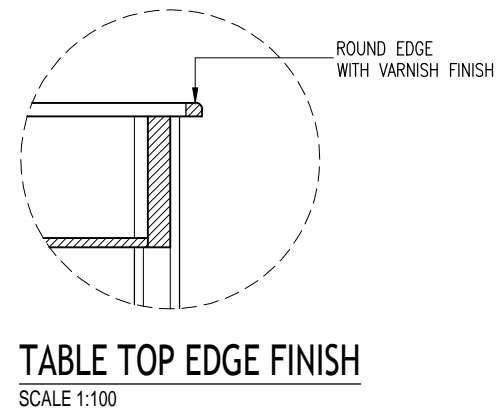
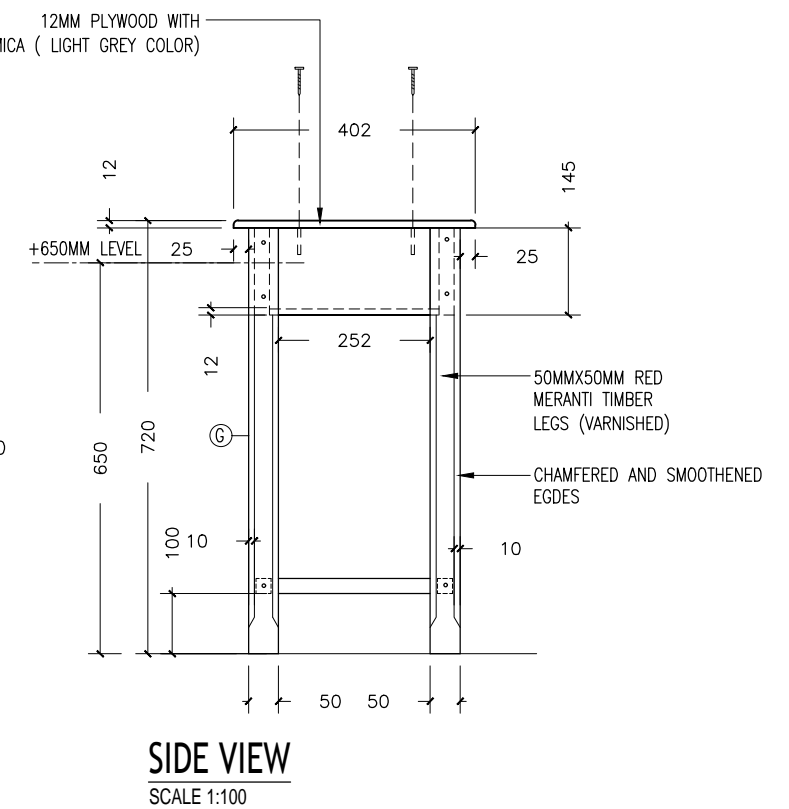
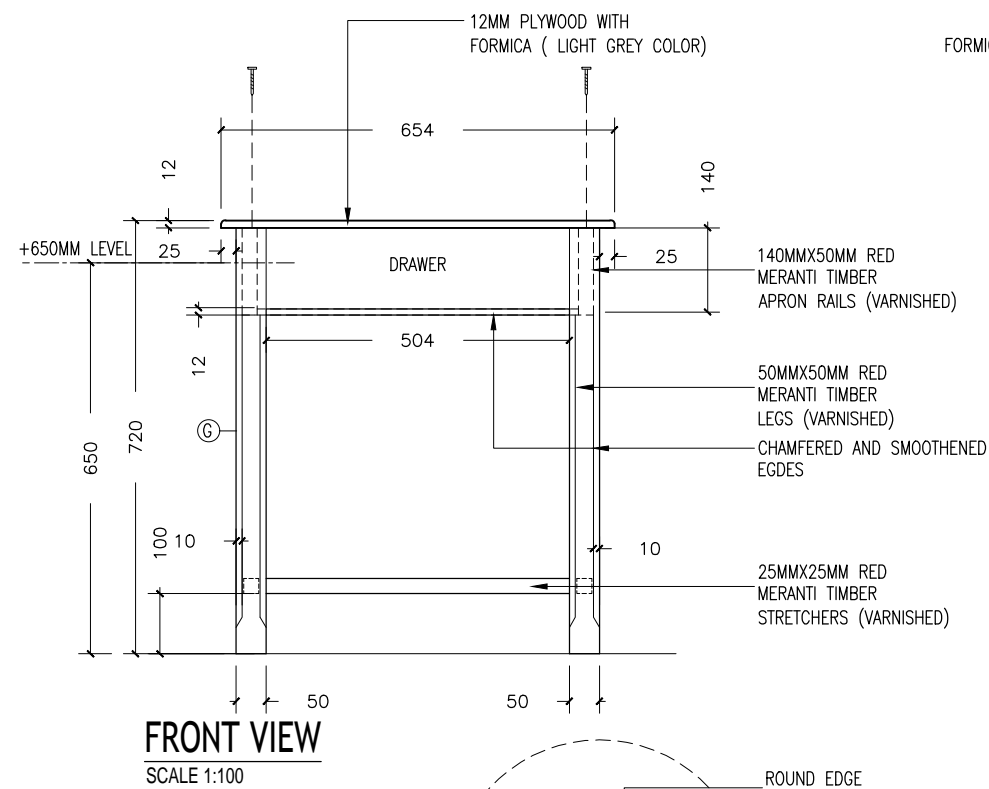
MEMBER CODE (ALPHABETS)
A (table top)
B (Apron rail)
C (Apron rail)
D (Apron rail)
Da (apron)
Db (apron)
Dc (apron)
E (Leg member)
F (Leg member)
G (Leg member)
H (Leg member)
I (Apron rail)
J (Stretcher)
K (Stretcher)
L (Stretcher)
M (Drawer top)
Table top



**PERSPECTIVE VIEW OF STUDENT DESK B**  
SCALE 1:100



**EXPLODED VIEW OF STUDENT DESK B - SCREW AND DOWEL PLAN**  
SCALE 1:100

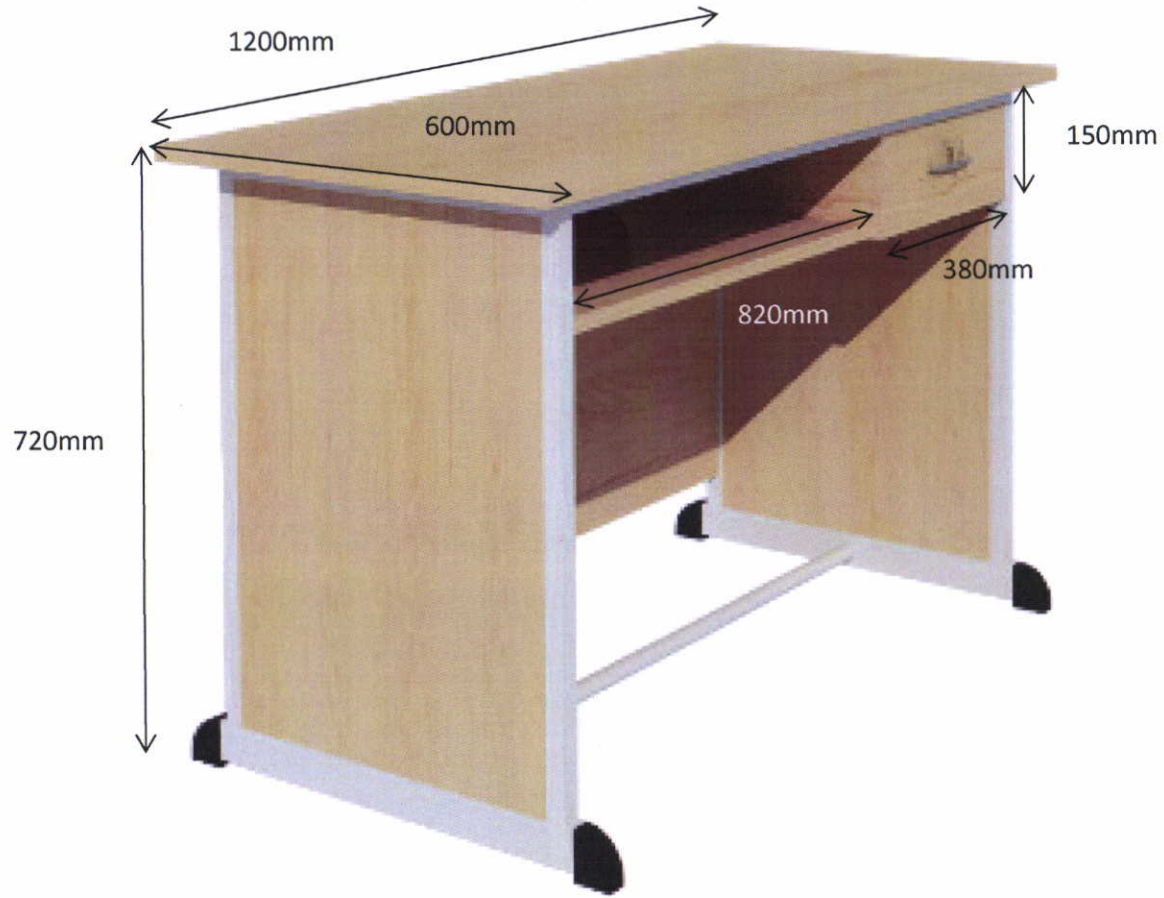


**TABLE TOP EDGE FINISH**  
SCALE 1:100

**NOTE (REGARDING VARNISH):**  
 -CLEAN UP THE DUST.  
 -VACUUM MOST OF THE DUST FROM THE SURFACE, .  
 -THEN BRUSH VARNISH OVER THE ENTIRE SURFACE, TIPPING IT OFF TO MINIMIZE BRUSH MARKS.  
 -AFTER THE SEALER DRIES, LIGHTLY SAND THE SURFACES WITH 240- OR 280-GRIT (EXTRA FINE) SANDING PADS OR PAPER.  
 -THEN APPLY THE SECOND COAT (FINISH COAT)

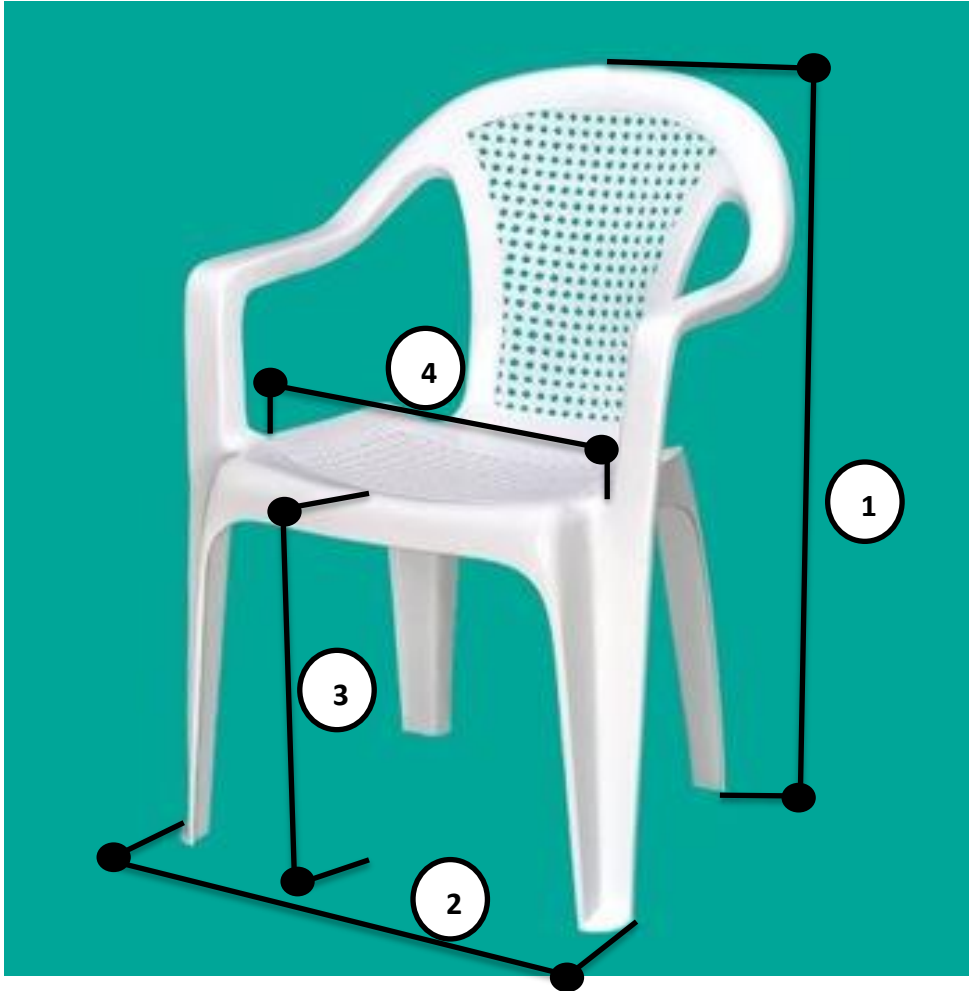


# Teachers' Table

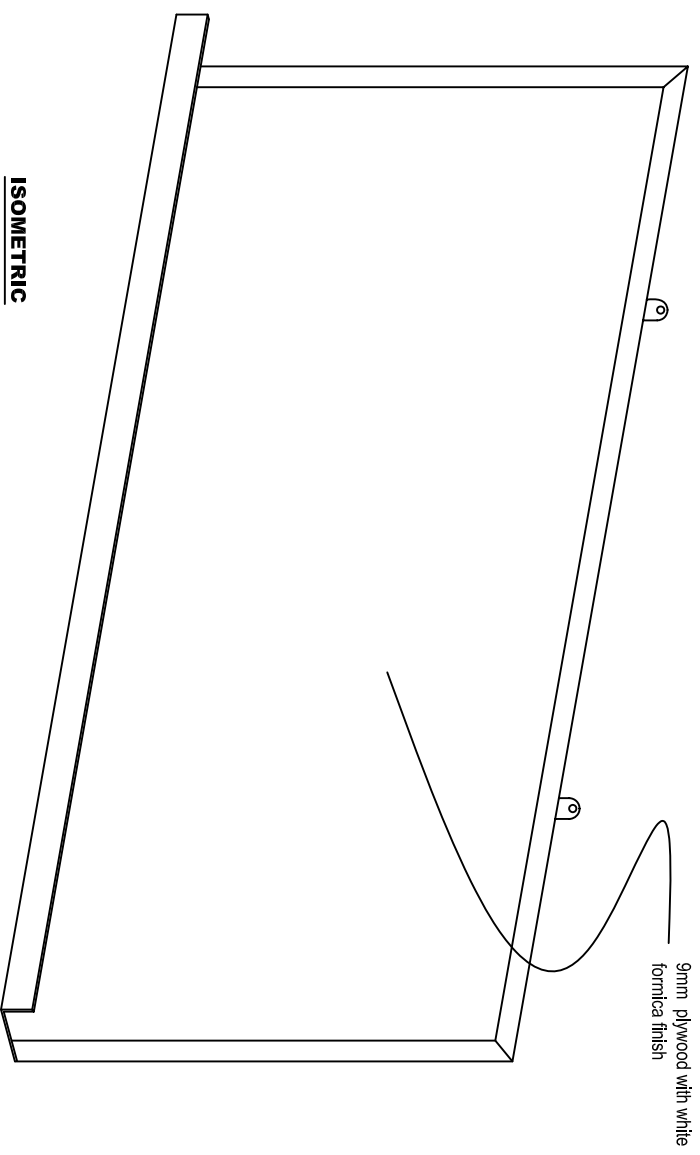
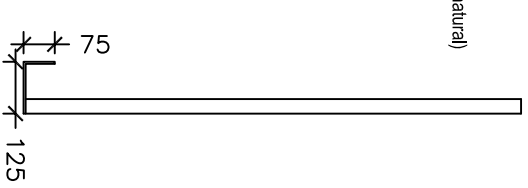
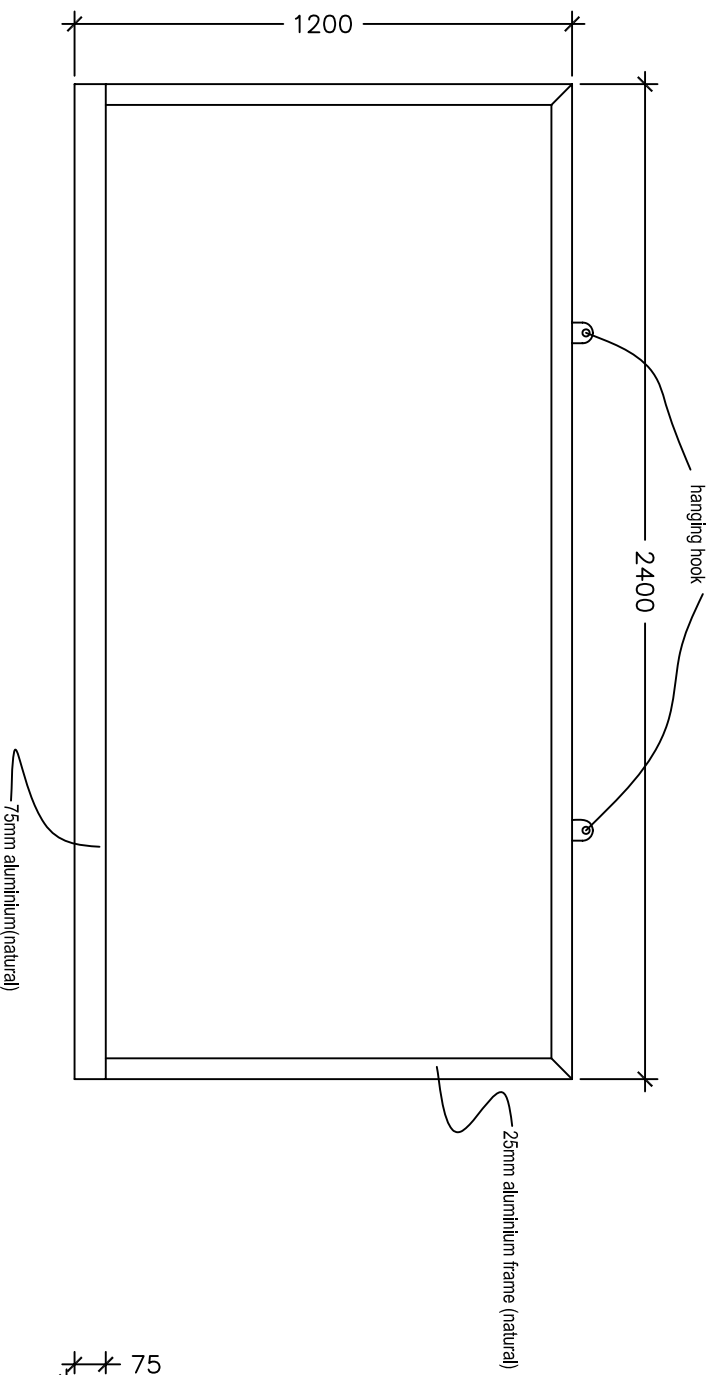




## Plastic Chair with Arm



- 1- Total height = 760 mm to 765mm
- 2- Width = 530mm to 534mm
- 3- Seating height = 420mm to 435mm
- 4- Seating width = 380mm to 390mm



**WHITE BOARD**  
SCALE : AS GIVEN

**ISOMETRIC**  
SCALE : 1:20



STAGE CHAIR

( SAMPLE )

1/3







- 1- Total height = 890 mm to 895 mm
- 2- Width = 540 mm to 544 mm
- 3- Seating width=540mm to 544 mm
- 4- Colour = Dark Blue
- 5- Material: Fabric with Sponge
- 6- Legs= Stainless Steel Metal