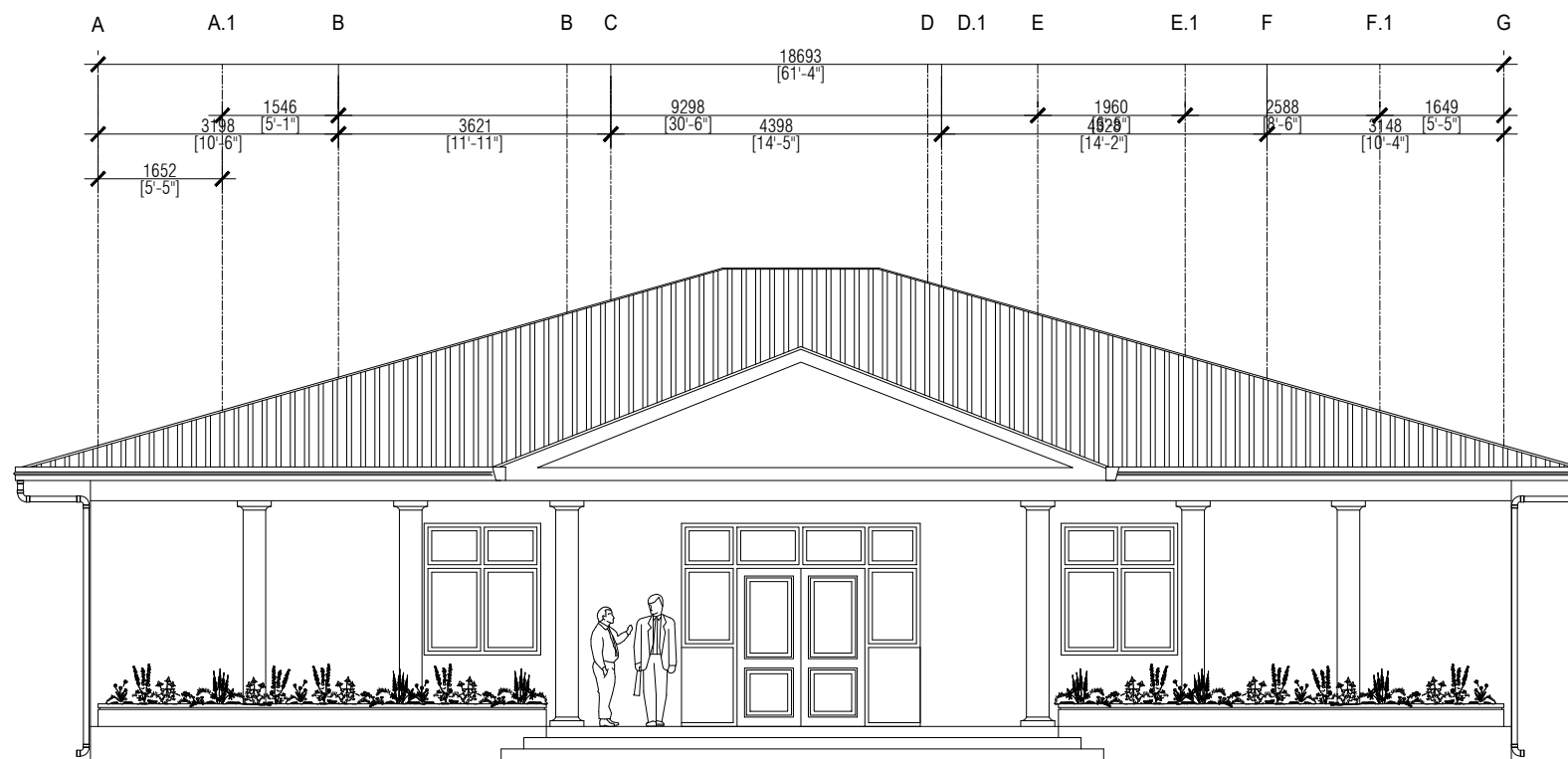
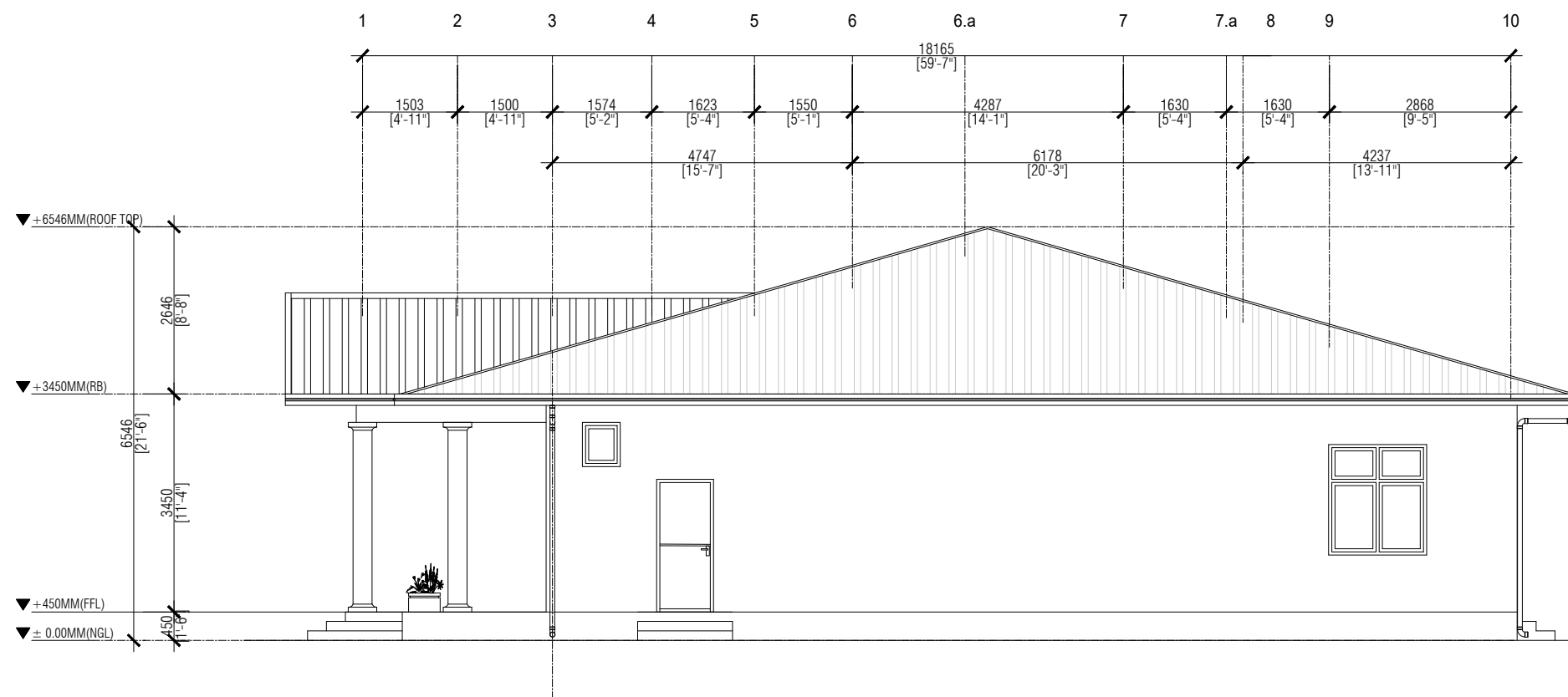


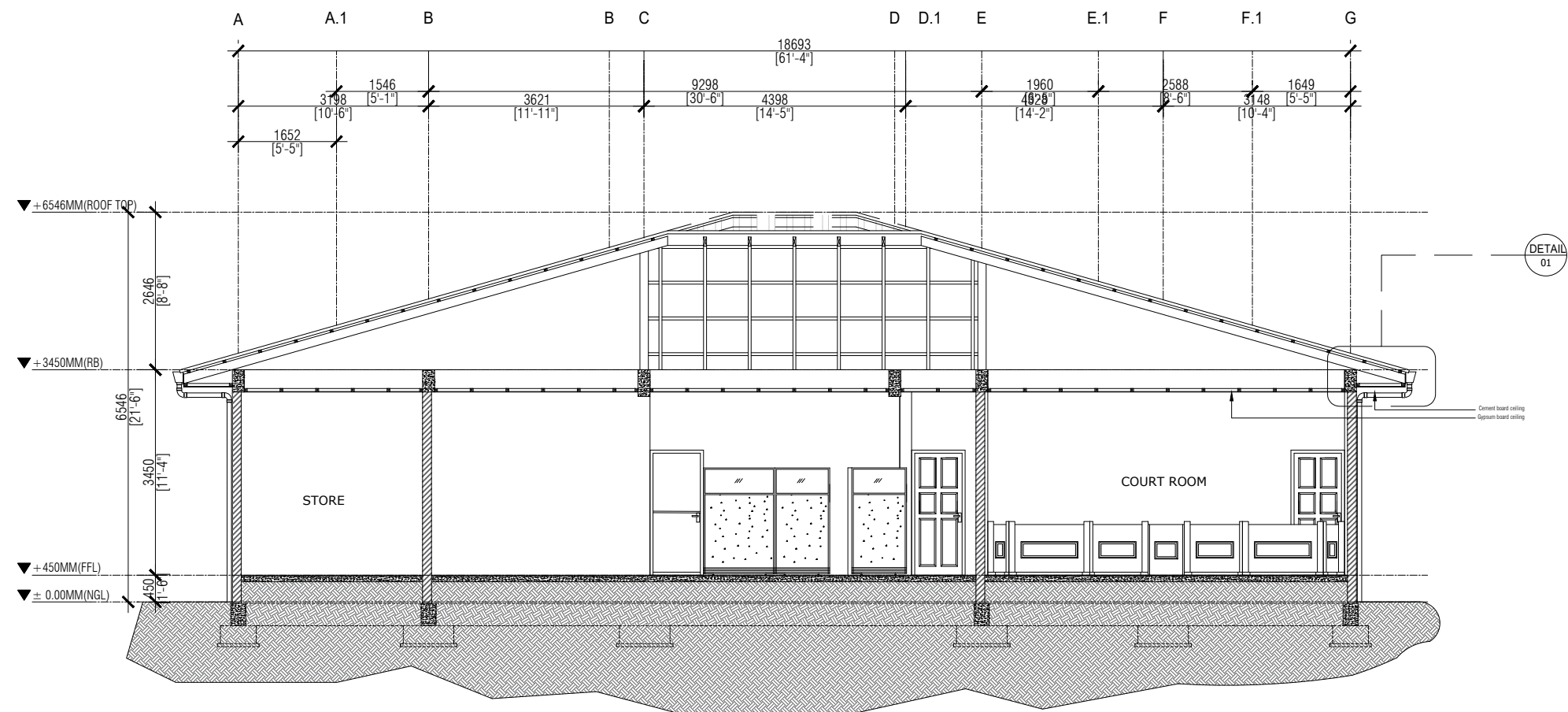
FLOOR PLAN
Scale 1:100



FRONT ELEVATION
Scale 1:100



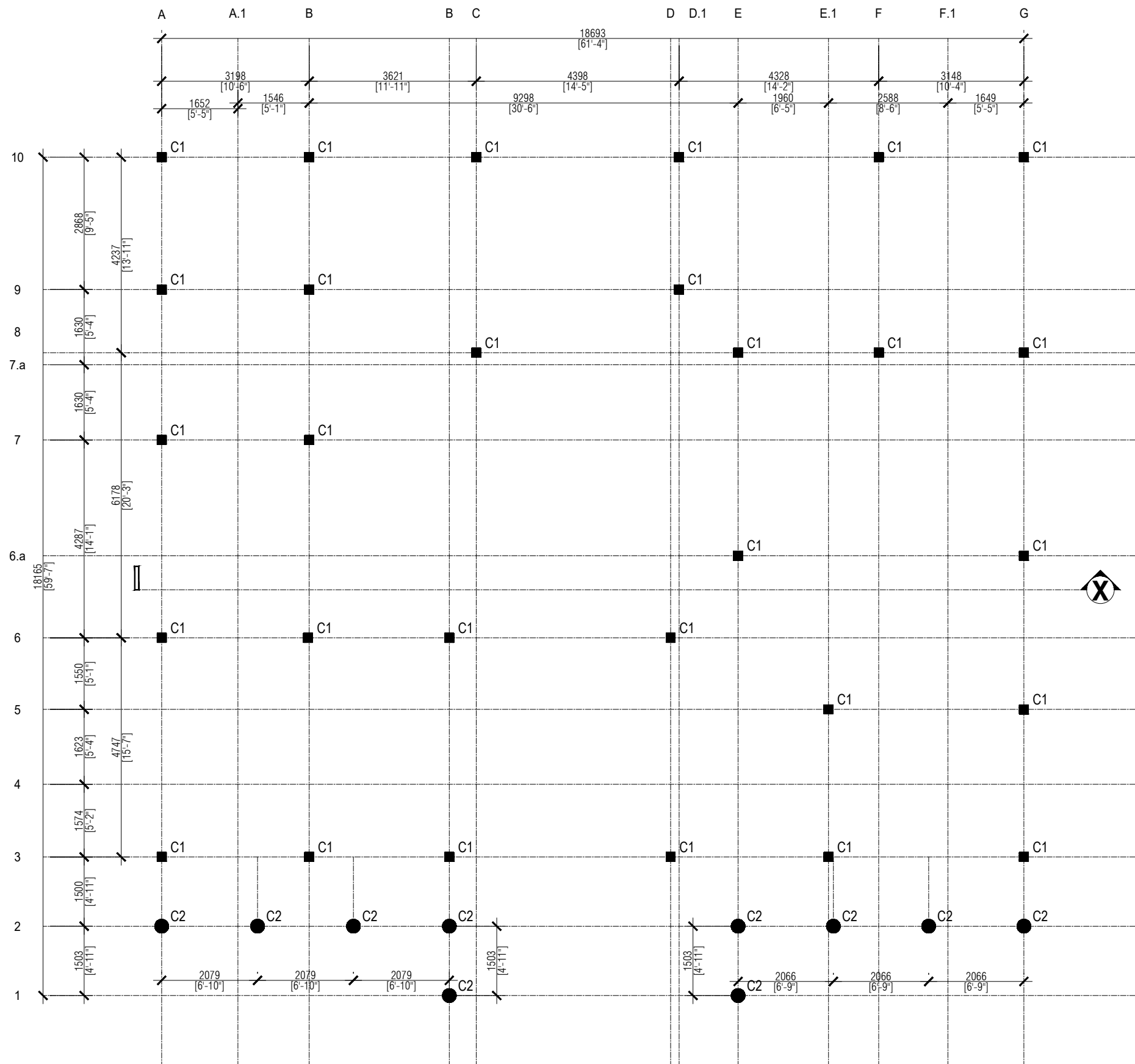
SIDE ELEVATION
Scale 1:100



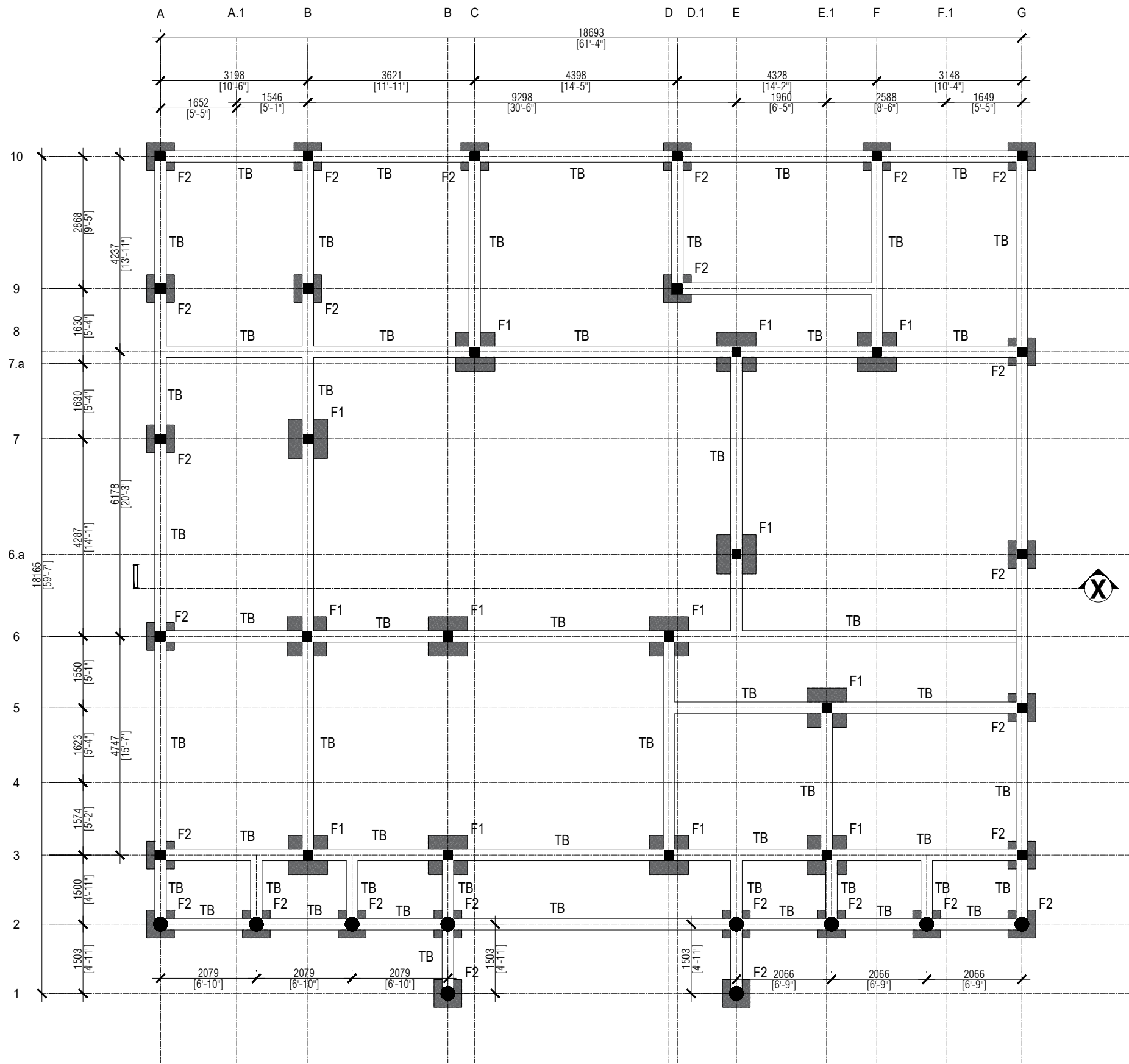
SECTION Y
Scale 1:100

NAME	DOUBLE DOOR		SIDE HUNG DOOR		SIDE HUNG DOOR		SIDE HUNG DOOR	
PLAN								
ELEVATION								
SYMBOL	D1		D2		D3		D4	
LOCATION	ENTRANCE	TYPE	GROUND FLOOR	TYPE	GROUND FLOOR	TYPE	GROUND FLOOR	TYPE
QUANTITY		4 HINGE DOUBLE HUNG DOOR		4 HINGE SIDE HUNG DOOR		4 HINGE SIDE HUNG DOOR		3 HINGE SIDE HUNG DOOR
DOOR FRAME	ALUMINIUM	REMARKS	SOLID TIMBER WOOD	REMARKS	ALUMINIUM	REMARKS	ALUMINIUM	REMARKS
FINISHES	WHITE POWER COATED	TOP AND SIDE PENAL FIXED TINTED GLASS WITH GRILL	VARNISHED		WHITE POWER COATED	FIXED TINTED GLASS	POWDER COATED	

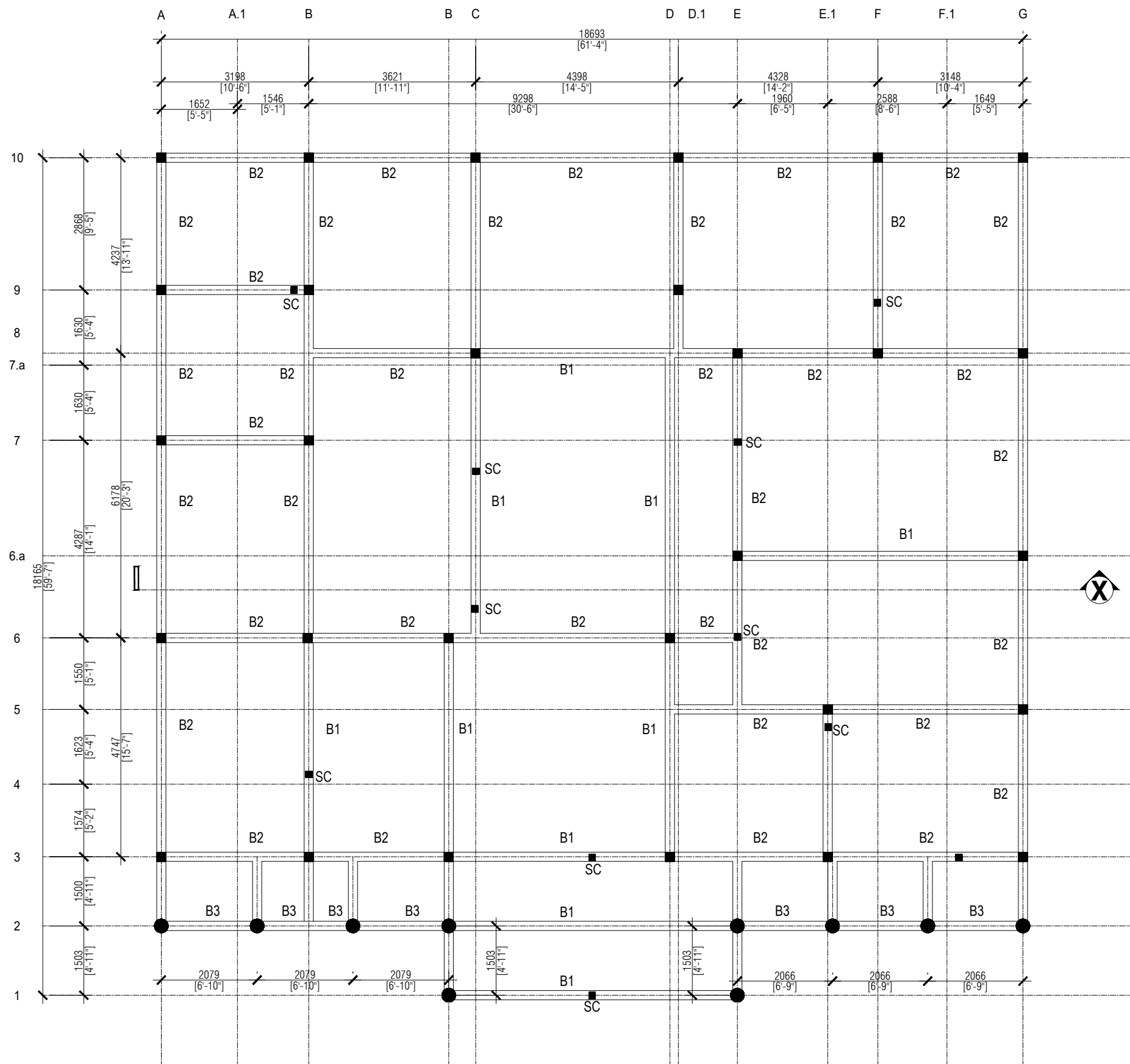
NAME	2 PENAL WINDOW		VENTILATION	
PLAN				
ELEVATION				
SYMBOL	W1		V1	
LOCATION	GROUND FLOOR	TYPE	GROUND FLOOR	TYPE
QUANTITY		SIDE HUNG 2 PENAL		TOP HUNG VENTILATION
DOOR FRAME	ALUMINIUM	REMARKS	ALUMINIUM	REMARKS
FINISHES	WHITE POWER COATED	TINTED GLASS WITH GRILL	WHITE POWER COATED	WITH GRILL



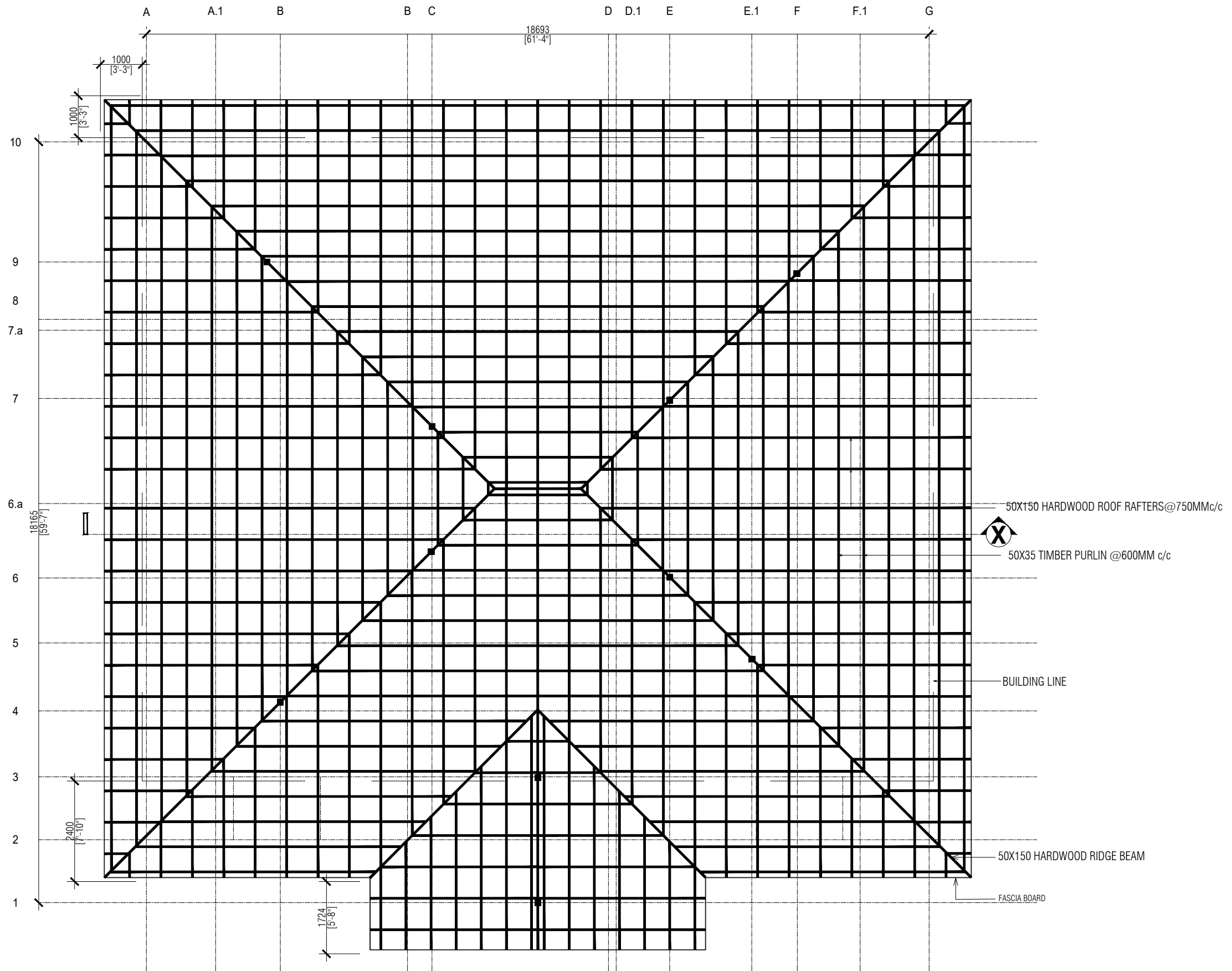
COLUMN LOCATION PLAN
Scale 1:100



FOUNDATION PLAN
Scale 1:100

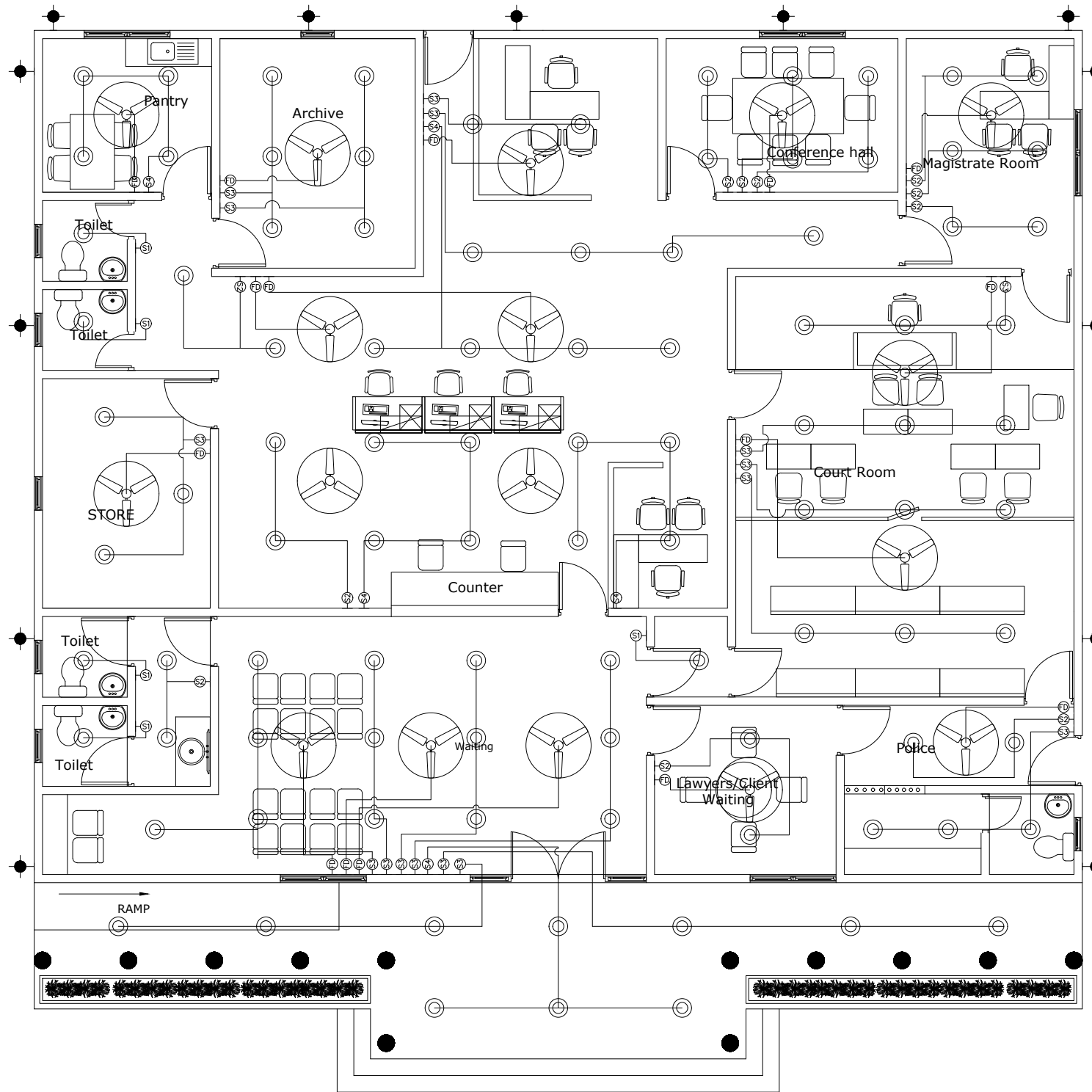


ROOF BEAM PLAN
Scale 1:100



ROOF FRAMING PLAN
Scale 1:100

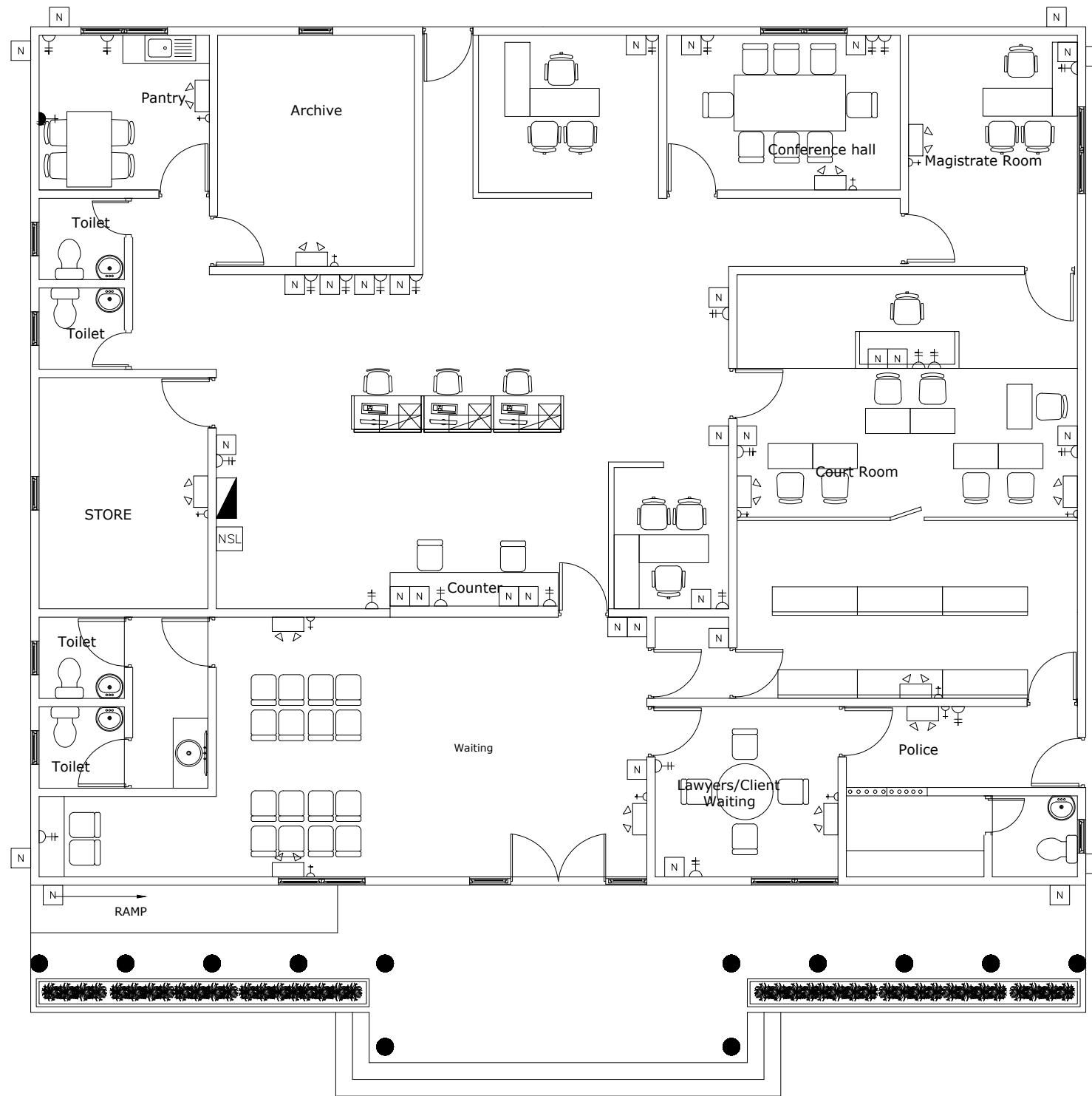
NOTE:
"SC" FROM ROOF BEAM TO SUPPORT ROOF RIDGE



LEGEND	
⊙	DOWN LIGHTS C/W 20W ENERGY SAVERS
⬤	WALL LIGHT BULB (WEATHERPROOF)
⊗	CEILING FAN (1.3M DIAMETER)
⊥S1	ONE GANG SWITCH
⊥S2	TWO GANG SWITCH
⊥S3	THREE GANG SWITCH
⊥S4	FOUR GANG SWITCH
⊥FD	FAN DIMMER

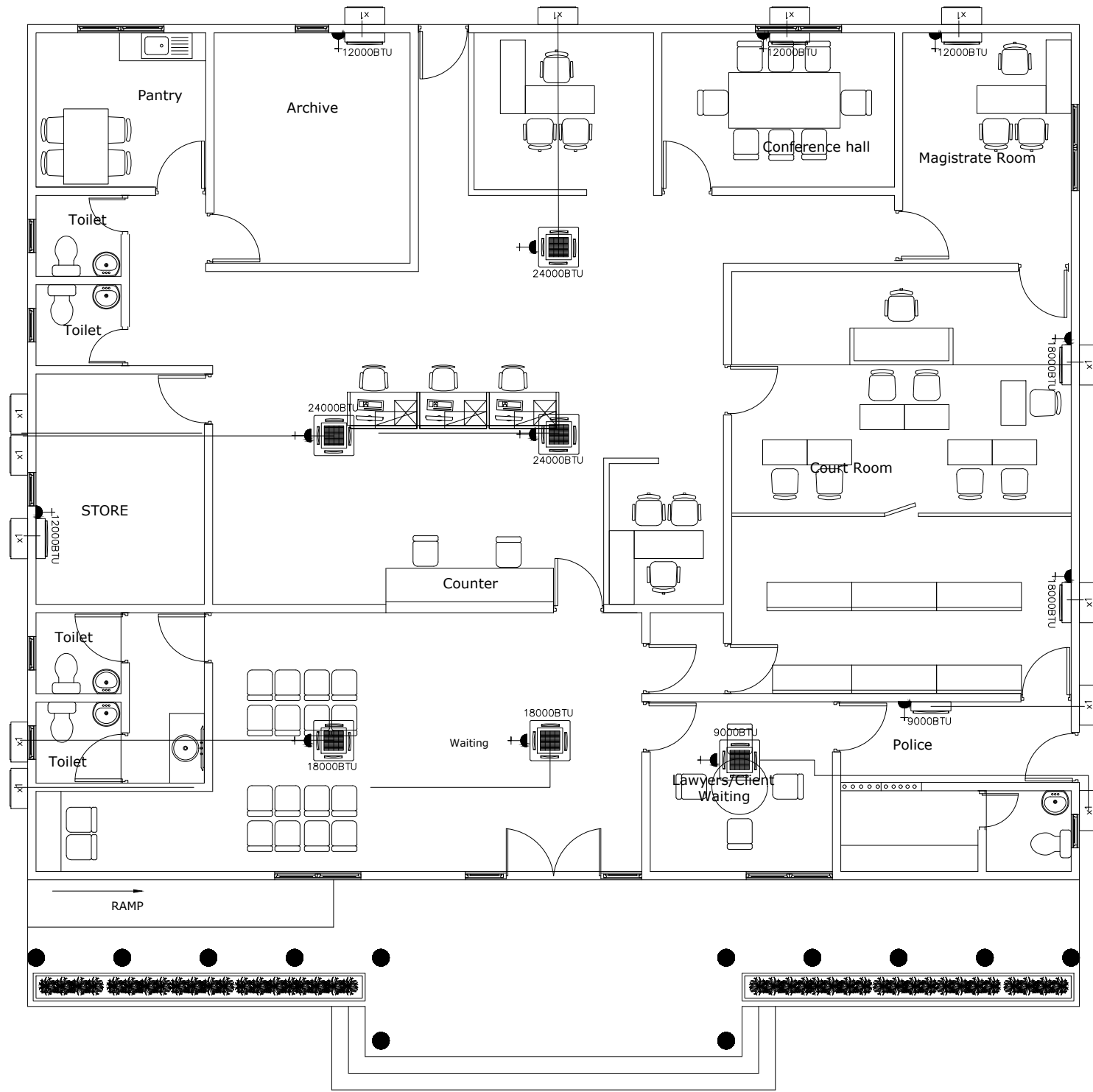
NOTE: ALL SWITCHES @ 1.2 FROM FFL
 ALL THE OUTDOOR LIGHTS ARE CONTROL BY PHOTOCELL SWITCH
 ALL GATE LIGHTS ARE CONTROL BY PHOTOCELL SWITCH

ELECTRICAL LIGHTING LAYOUT
 Scale 1:100



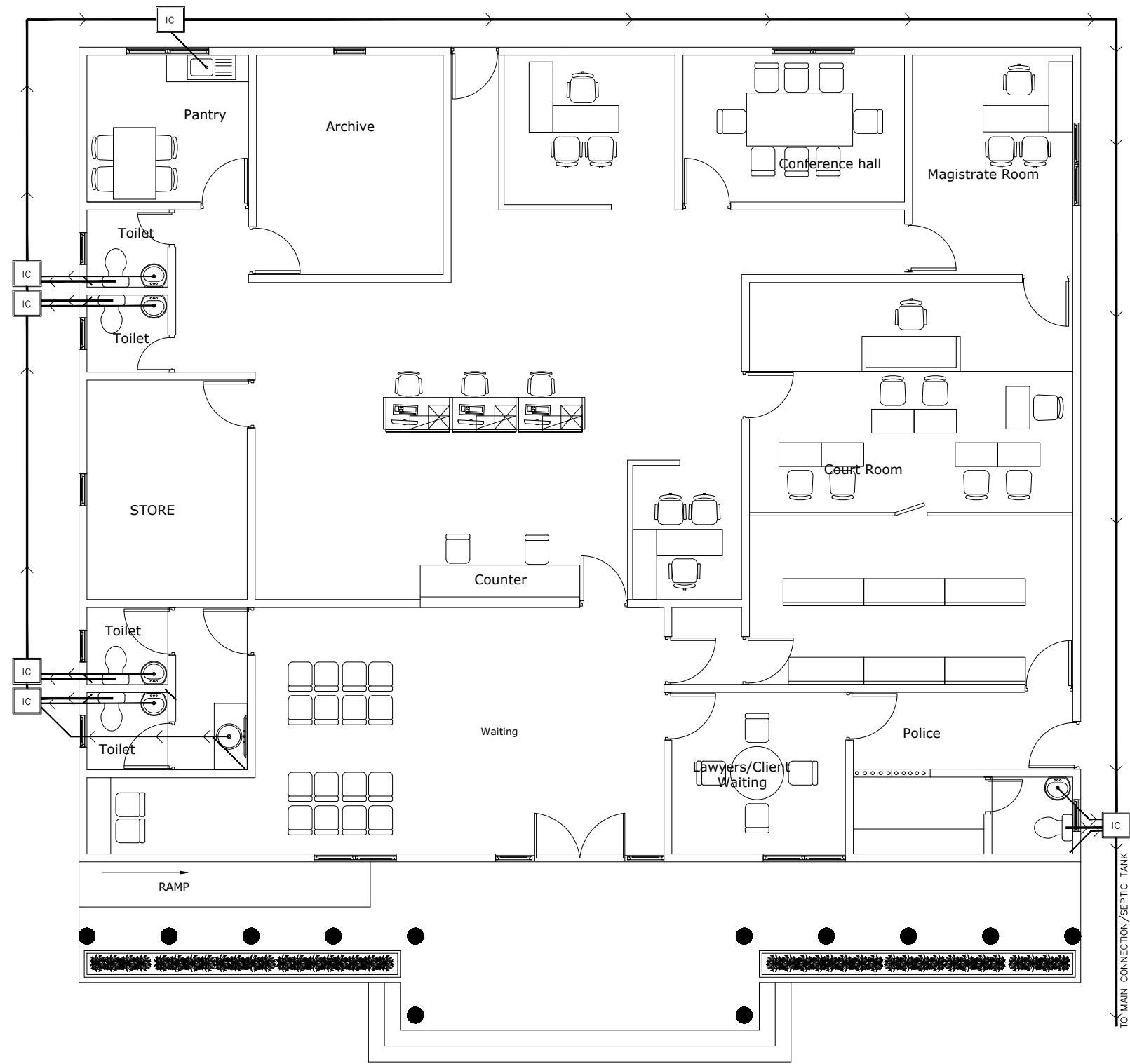
LEGEND 3 PHASE DISTRIBUTION BOARD	
	DISTRIBUTION BOARD
	NETWORK SWITCH LOCATION
	1 x 13A SOCKET OUTLET
	2 x 13A SOCKET OUTLET
	NETWORK OUTLET
	EMERGENCY LIGHT TWO HOUR WITH 13A SOCKET OUTLET
	1 x 15A SOCKET OUTLET



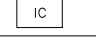

ELECTRICAL POWER LAYOUT
Scale 1:100



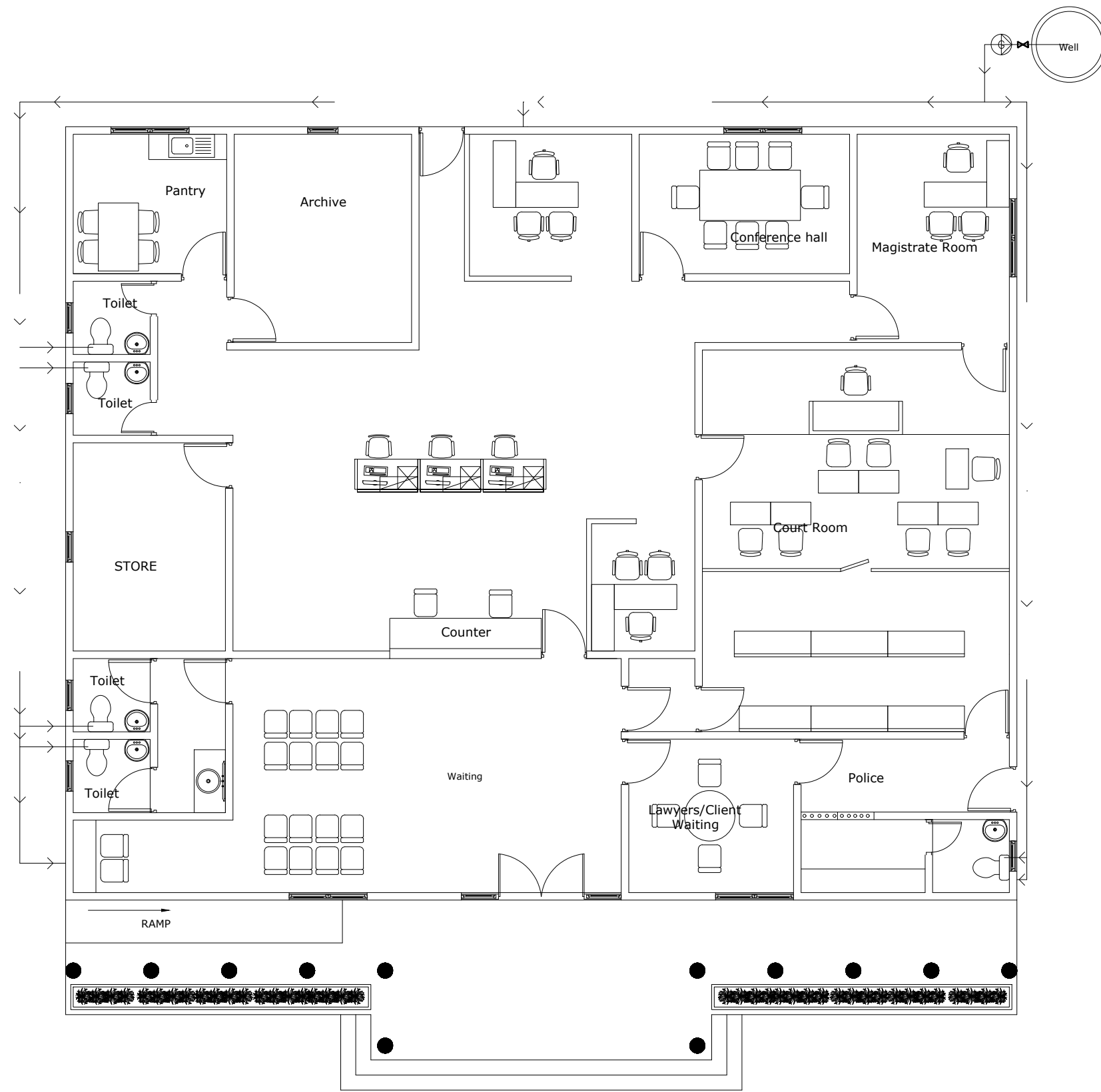
LEGEND	
	1 x 15A SOCKET OUTLET
	NETWORK OUTLET
	CEILING MOUNT AC INDOOR UNIT
	OUTDOOR UNIT
	WALL MOUNT AC INDOOR UNIT

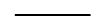



AIR CONDITION LAYOUT
Scale 1:100



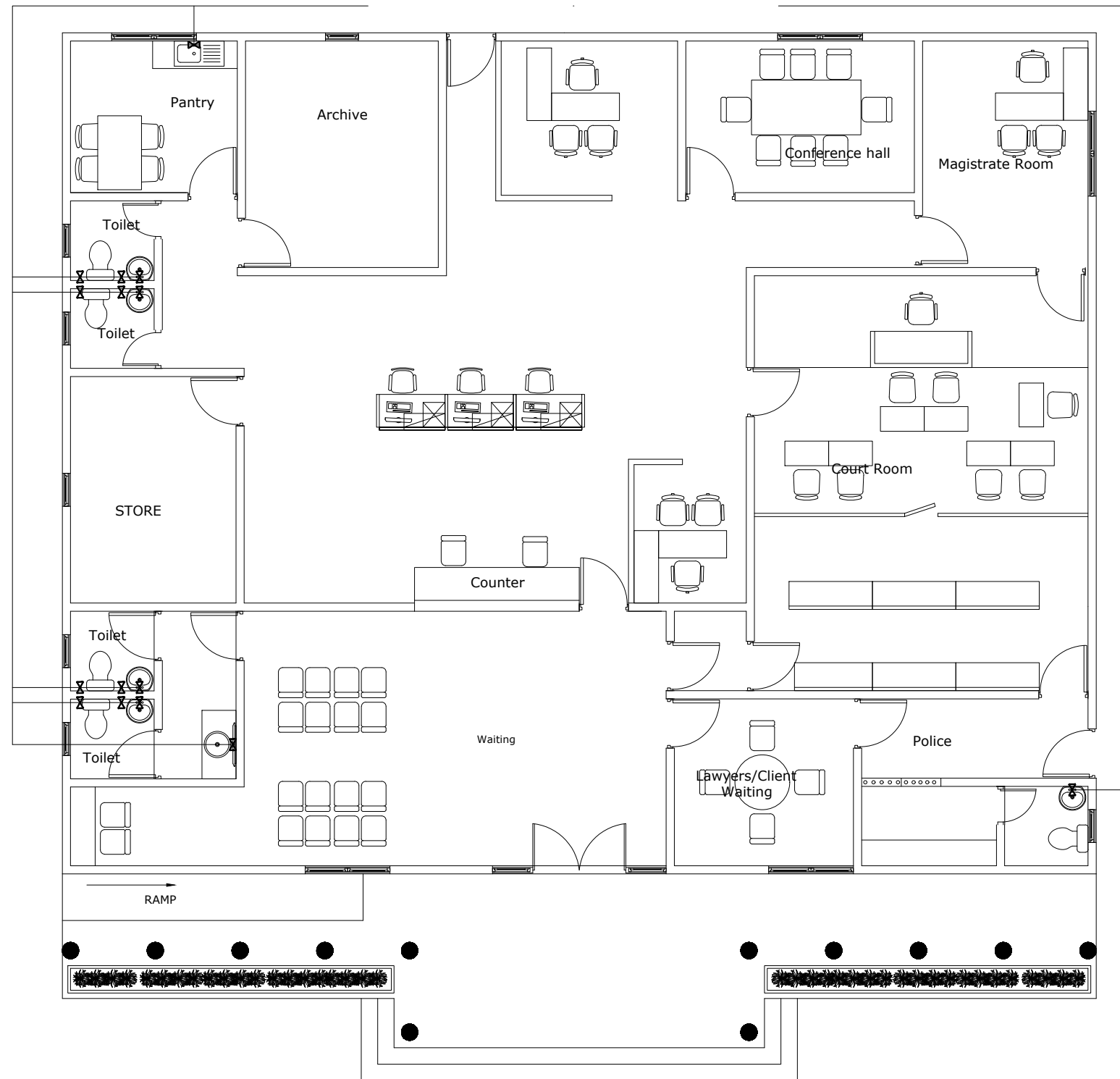
LEGEND	
	100mm \varnothing PVC PIPE
	75mm \varnothing PVC PIPE
	INSPECTION CHAMBER
	FLOOR DRAIN

WASTE WATER PIPE LINE
Scale 1:100



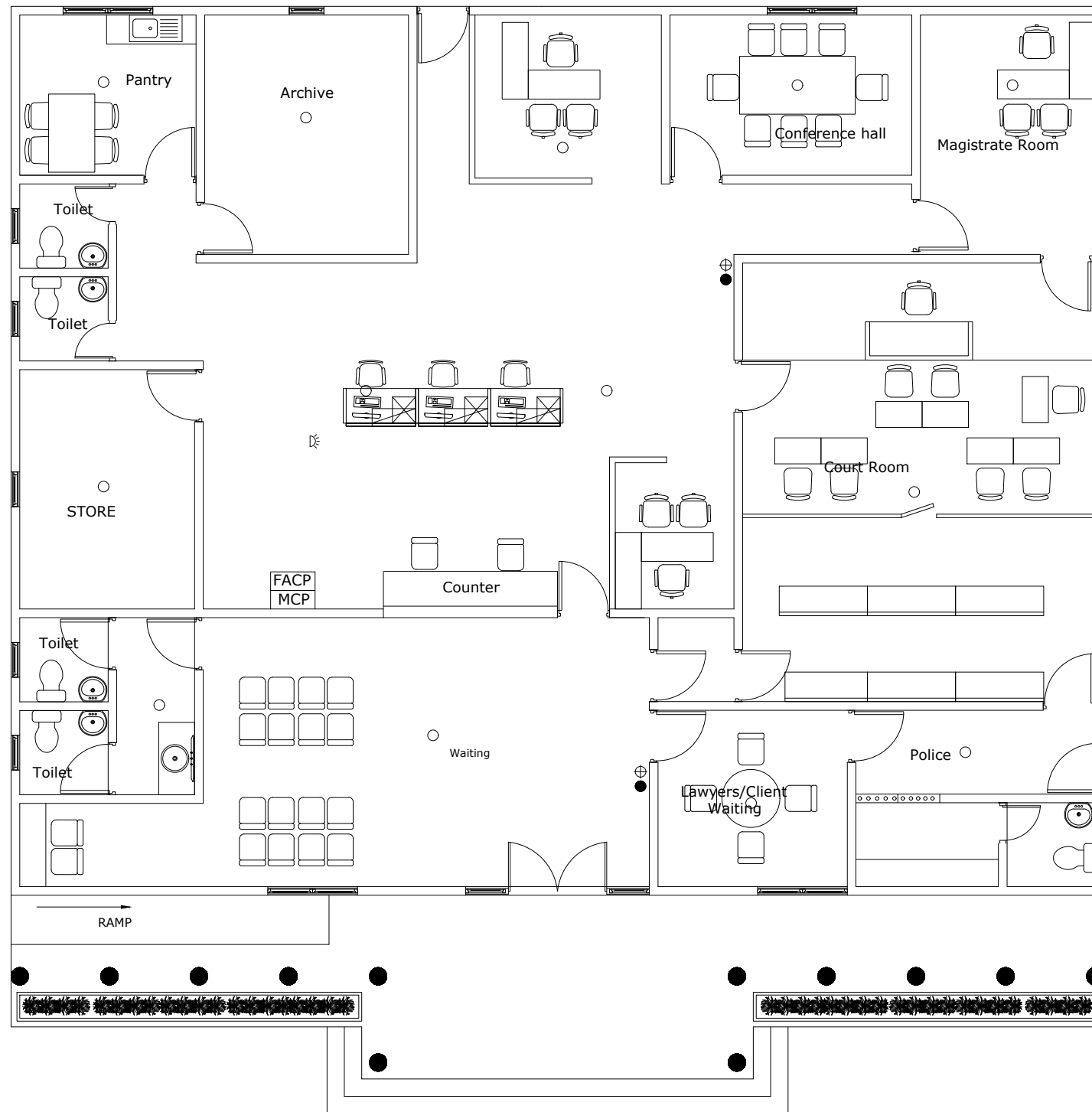
LEGEND	
	12mmØ WELL WATER SUPPLY PIPE
	VALVE
	GROUND WATER PUMP
	WELL

GROUND WATER PIPE LINE
Scale 1:100



LEGEND	
	12mmØ WELL WATER SUPPLY PIPE
	VALVE

FRESH WATER PIPE LINE
Scale 1:100

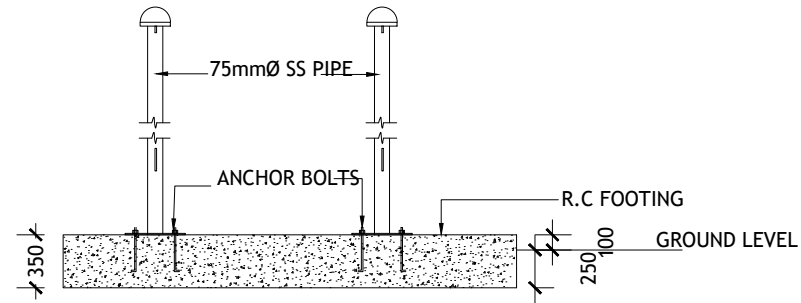


LEGEND	
○	SMOKE DETECTOR
⊕	9 LITER H2O FIRE EXTINGUISHER
●	2KG CO2 FIRE EXTINGUISHER
☼	FIRE ALARM SOUND STROBE 85DS
FACP	FIRE ALARM CONTROL PANEL
MCP	MANUAL CALL POINT

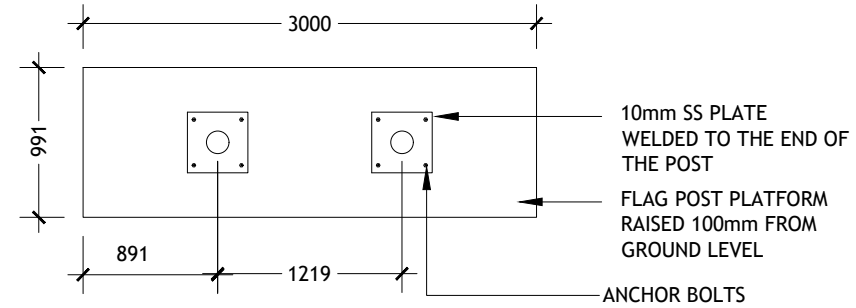
NOTE: ALL CABLE MUST BE FIRE RESISTANT CABLE

FIRE FIGHTING SYSTEM
Scale 1:100

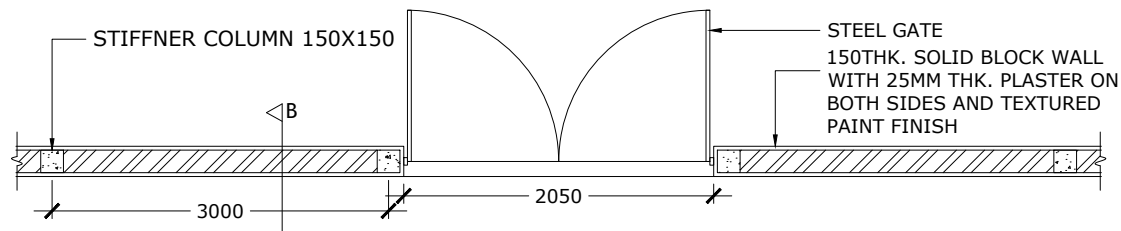
**COUNTER DETAIL
(SECTION)
SCALE 1:50**



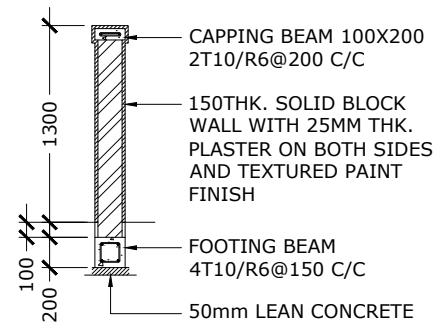
**FLAG POST DETAIL
(SECTION)
SCALE 1:50**



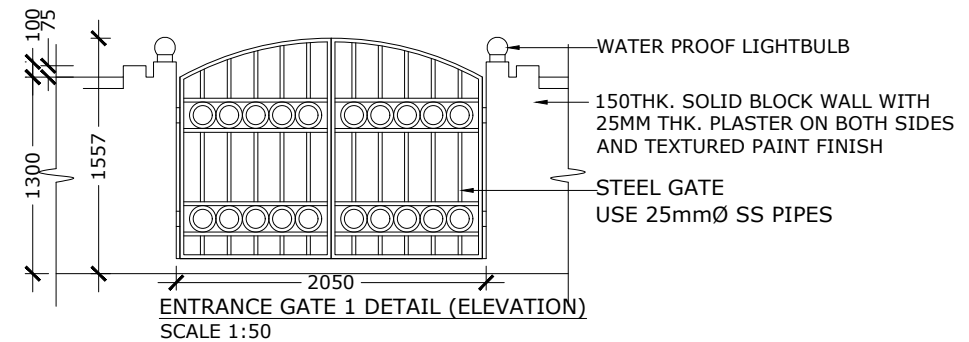
**FLAG POST DETAIL
(PLAN)
SCALE 1:50**



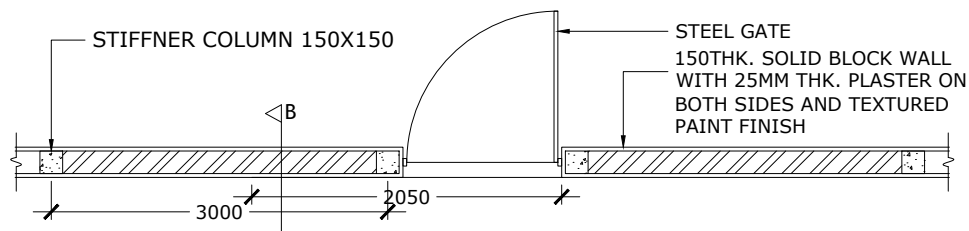
**BOUNDARY WALL / ENTRANCE GATE 1 DETAIL
(PLAN)
SCALE 1:50**



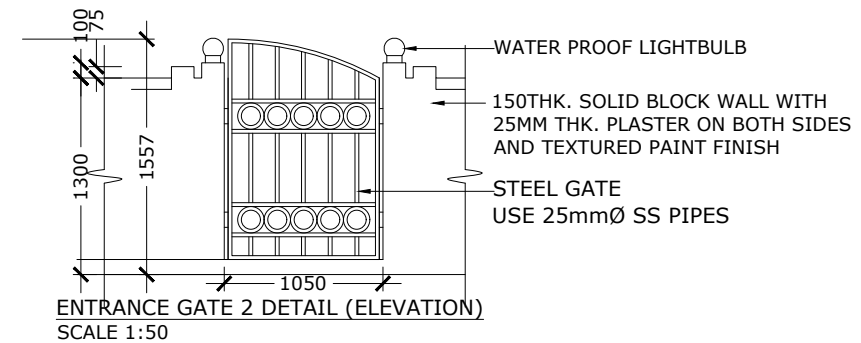
**BOUNDARY WALL DETAIL
(SECTION-B)
SCALE 1:50**



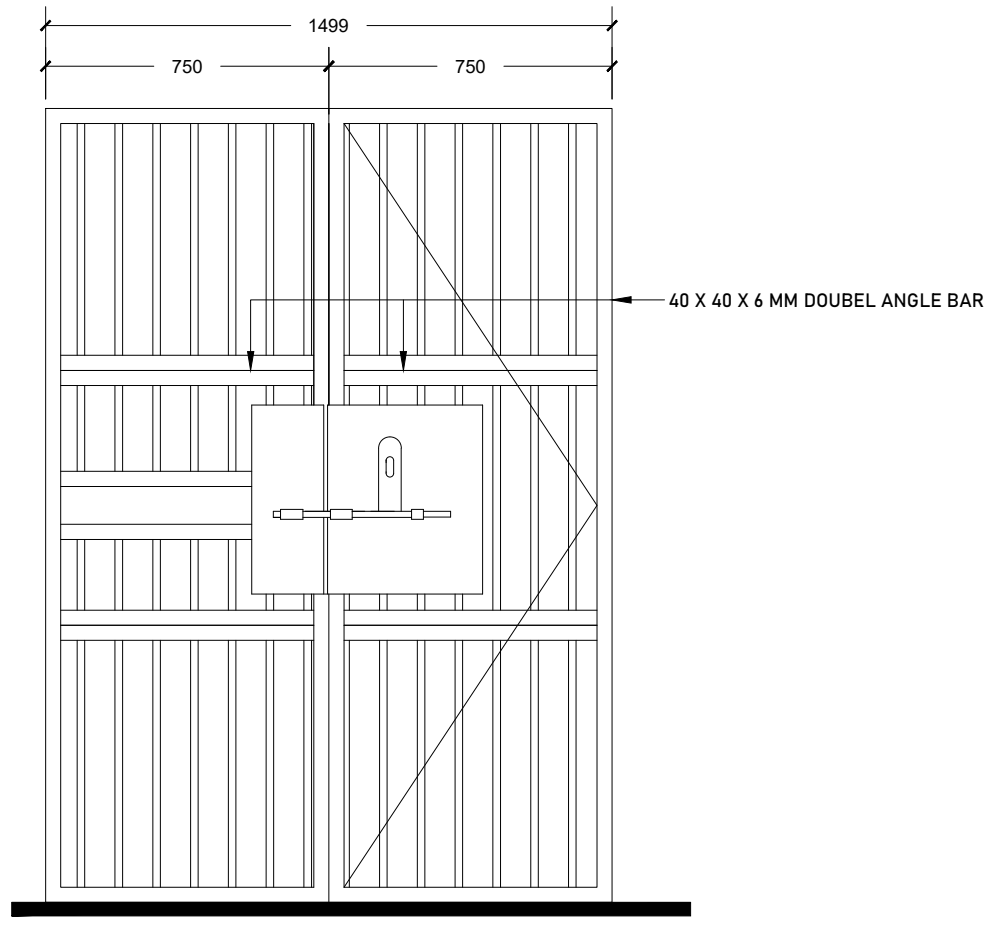
**ENTRANCE GATE 1 DETAIL (ELEVATION)
SCALE 1:50**



**BOUNDARY WALL / ENTRANCE GATE 2 DETAIL
(PLAN)
SCALE 1:50**



**ENTRANCE GATE 2 DETAIL (ELEVATION)
SCALE 1:50**



16mm DIA TOR STEEL BAR GRILL DOOR
BAR AT 100mm ON CENTER
USE 40 X 40 X 6 ANGLE BAR
PROVISION FOR TWO LOCKS AT TWO LEVELS

STRUCTURAL DETAILS OF PRISON CELL
Scale 1:20

**Orver head shelf
(attache on 1650mm partition)**

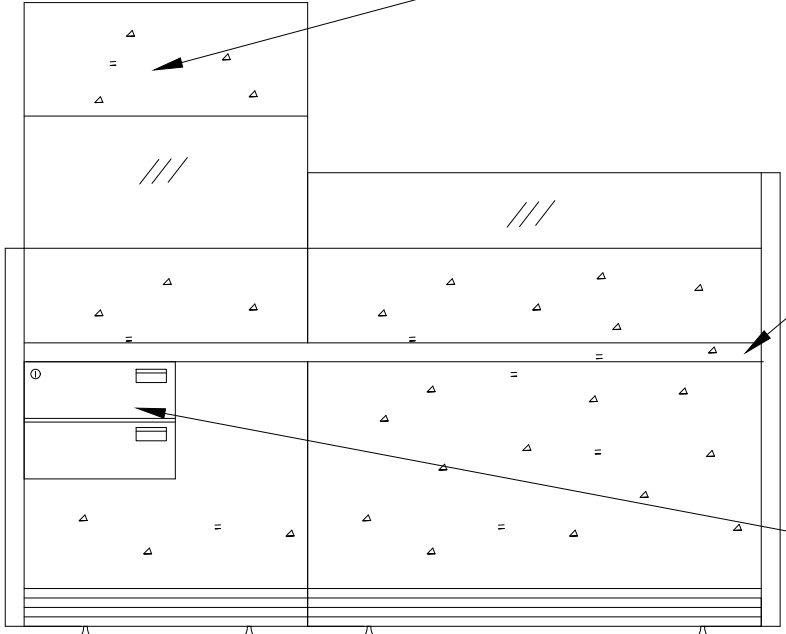
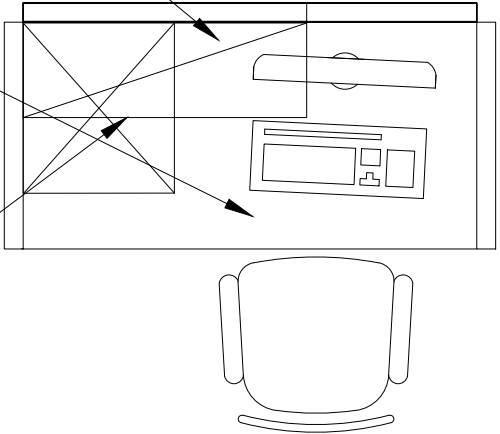
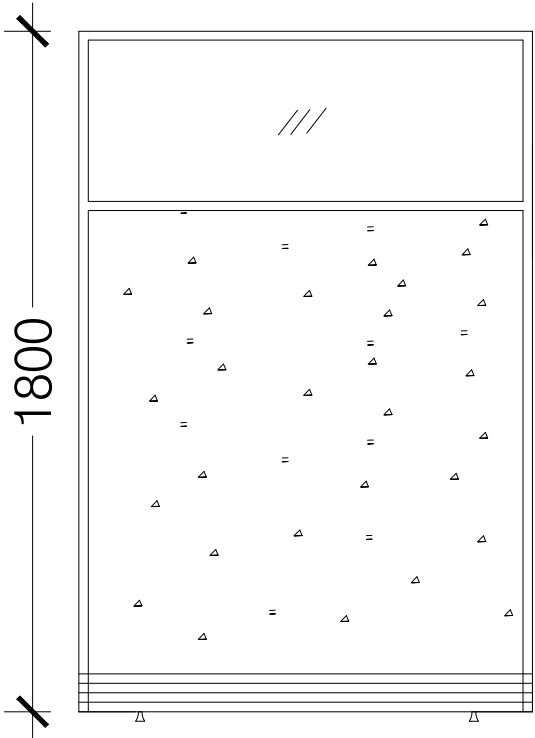


Table Top



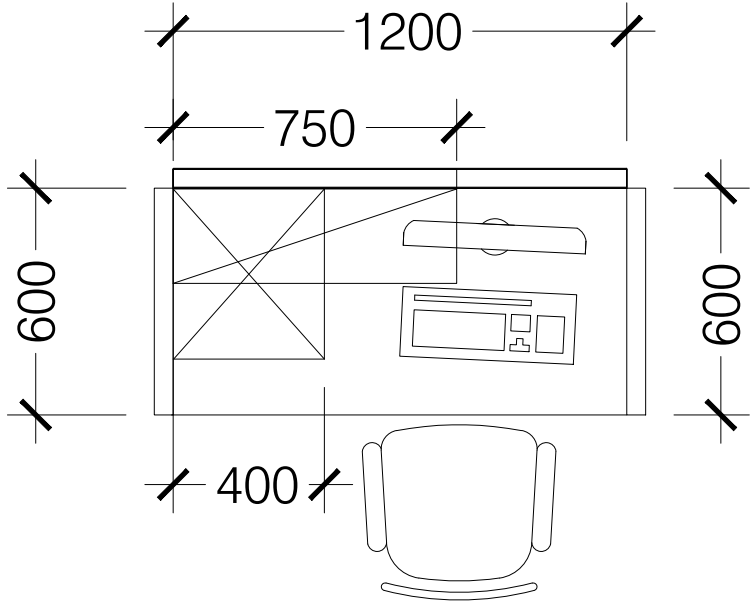
02 Drawer



Glass (350mm)

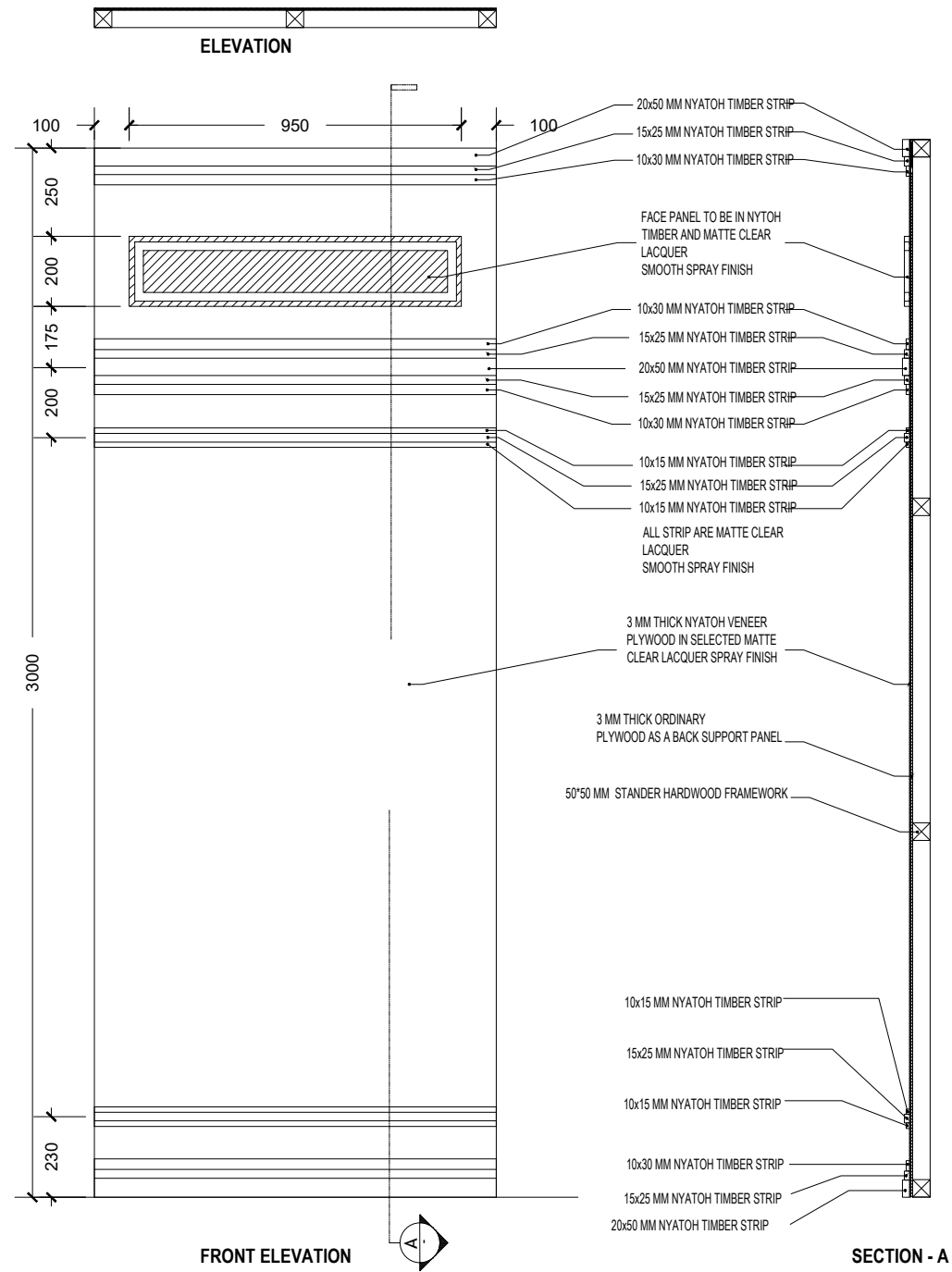
Fabric (1250mm)

**Cable Trunk
(100mm)**

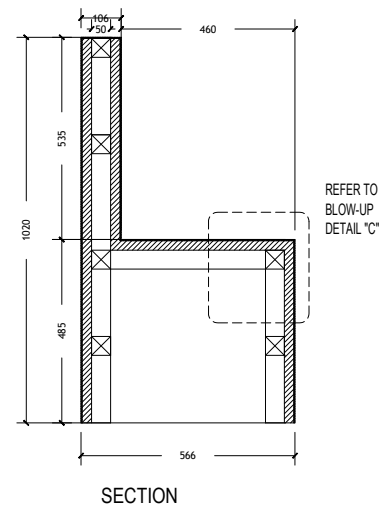
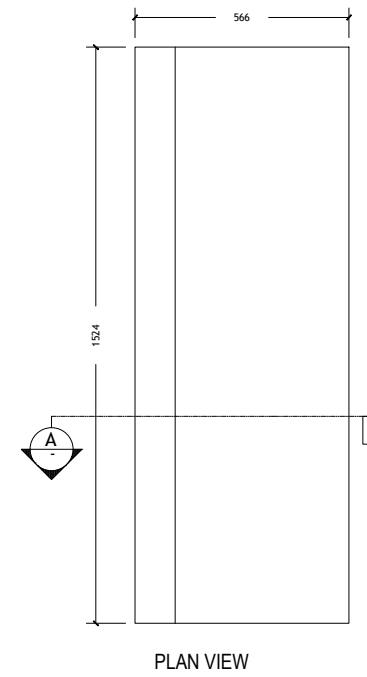


Work Station Details

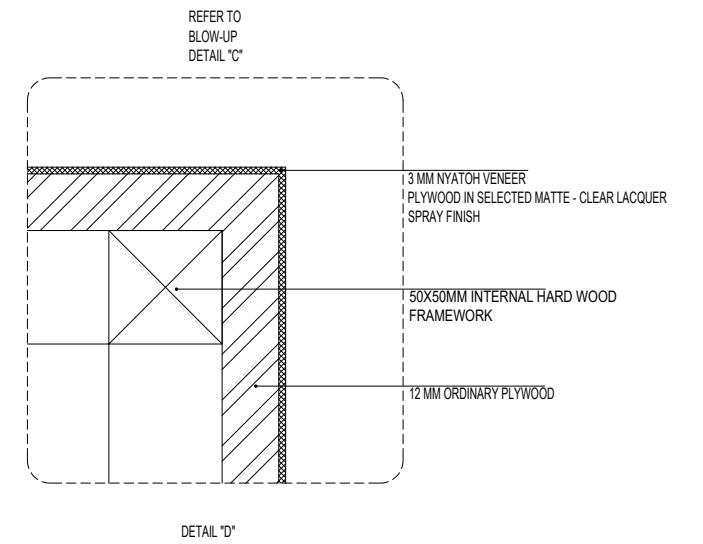
**1800mm High Partition with
Glass & Cable Trunk**

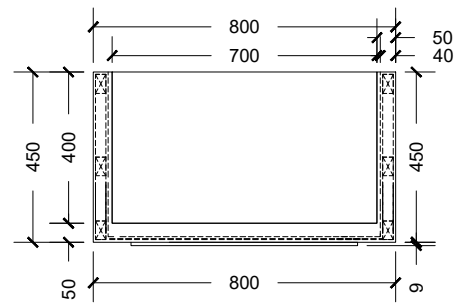


COURT ROOM BACK PANELS & STAGE DETAILS
SCALE 1:20

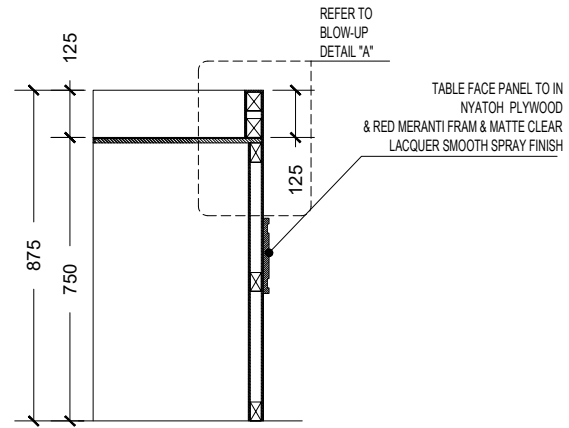


JUDGE PANEL TABLE
BENCH DETAILS

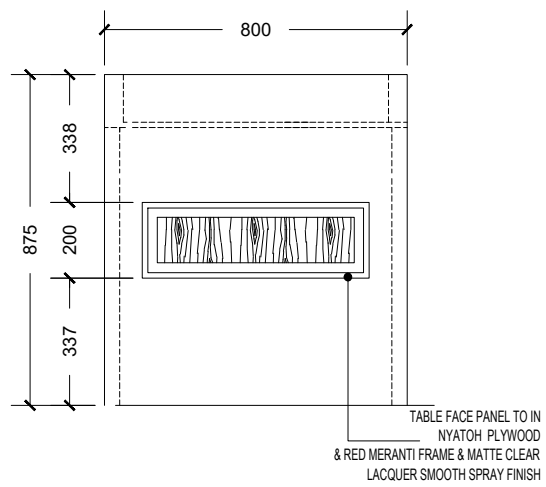
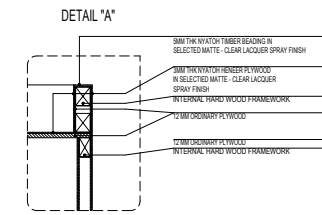




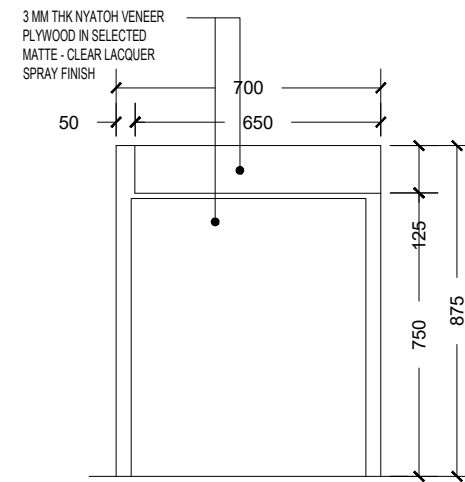
PLAN VIEW



SECTION



FRONT ELEVATION



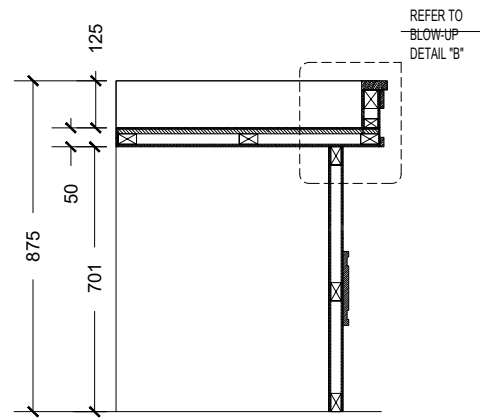
REAR ELEVATION

NOTE:

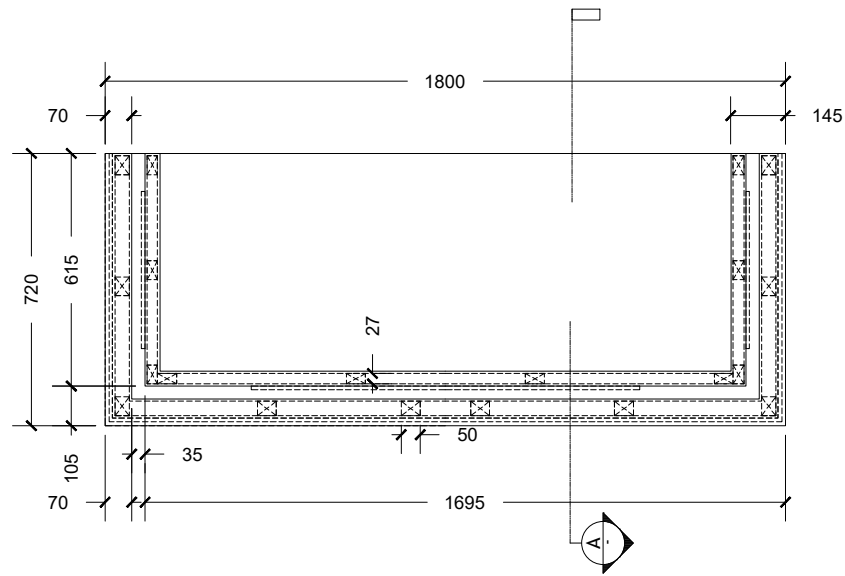
ALL TIMBERS WHICH ARE USED FOR THE STANDARD EXTERNAL FRAMEWORK TO BE APPLIED WITH SOLIGNUM TIMBER TREATMENT CHEMICAL OR EQUIVALENT, 24 HOURS BEFORE USING ON THE FRAMEWORK.

ALL SIDES TO BE FINISHED WITH NATURAL VENEER OF THE SAME WOOD USED ON THE RESPECTIVE PART OF THE FURNITURE.

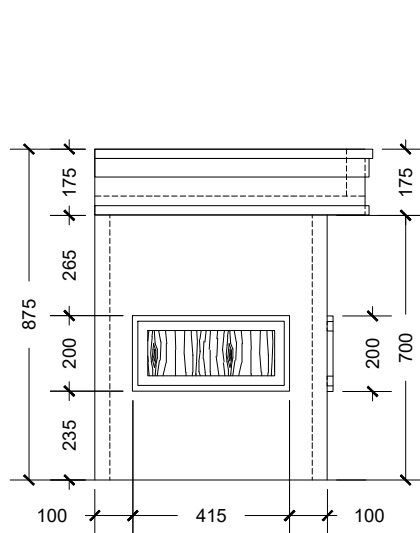
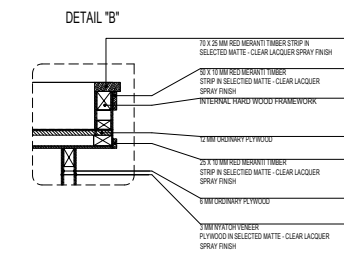
REGISTRARS'/LAWYER'S/WITNESS' TABLE
TABLE DETAILS



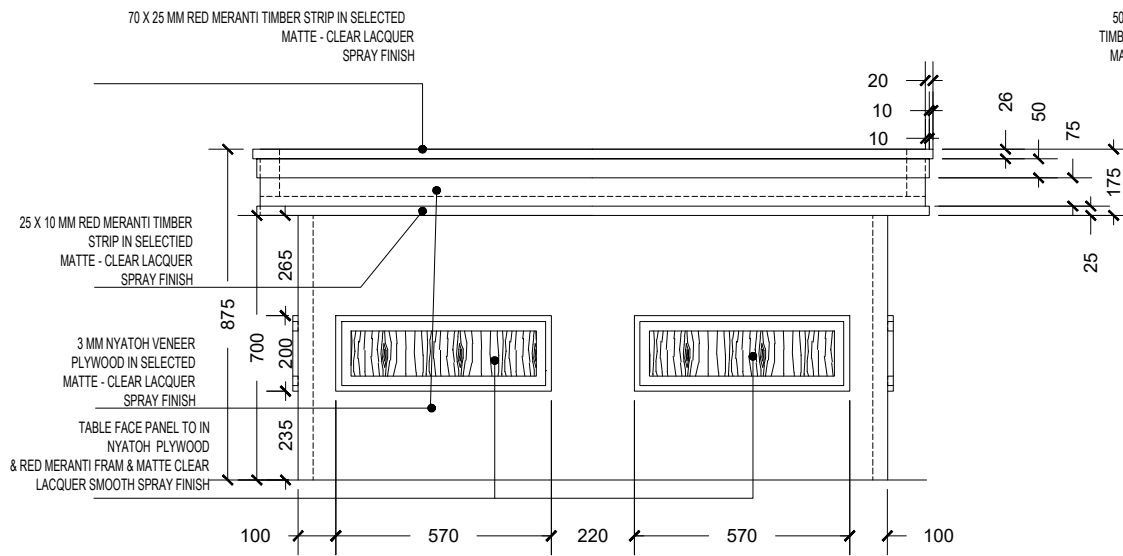
SECTION



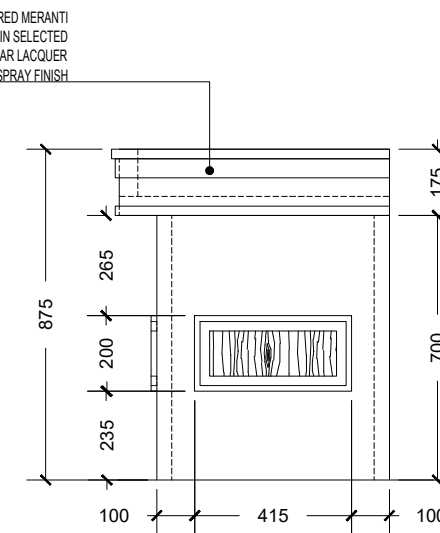
PLAN VIEW



LEFT SIDE ELEVATION



FRONT ELEVATION



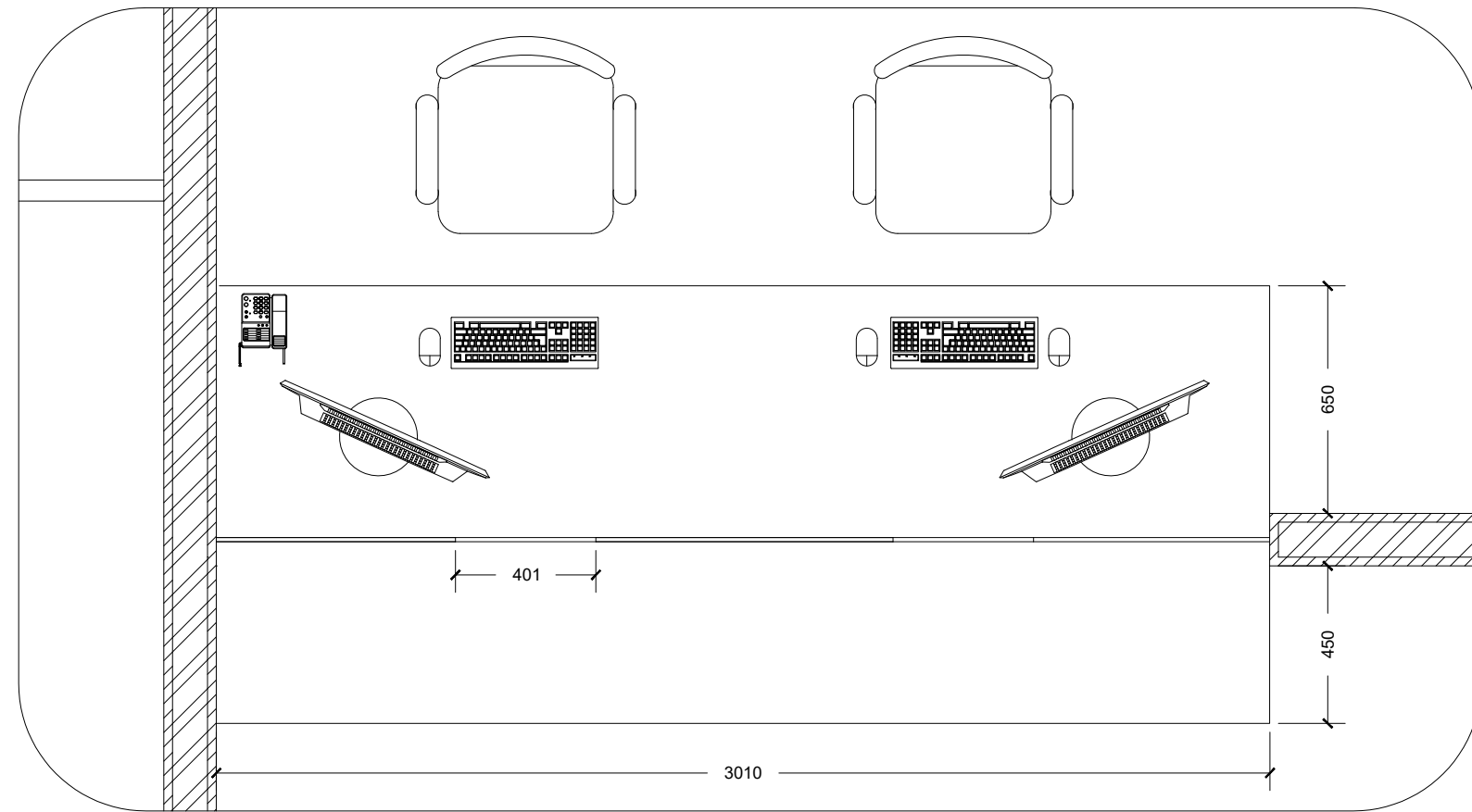
RIGHT SIDE ELEVATION

JUDGE PANEL TABLE
TABLE DETAILS

NOTE:

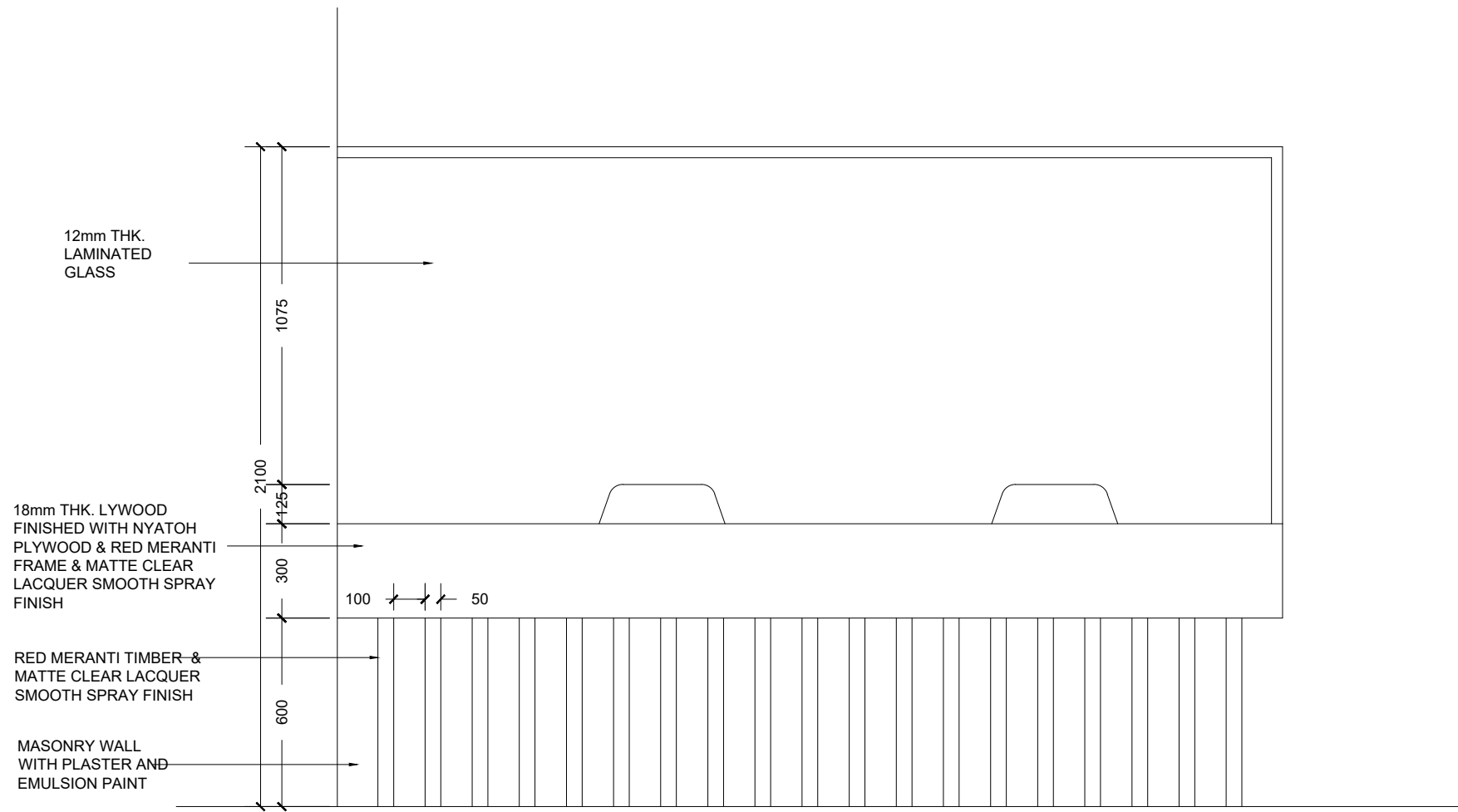
ALL TIMBERS WHICH ARE USED FOR THE STANDARD EXTERNAL FRAMEWORK TO BE APPLIED WITH SOLIGNUM TIMBER TREATMENT CHEMICAL OR EQUIVALENT, 24 HOURS BEFORE USING ON THE FRAMEWORK.

ALL SIDES TO BE FINISHED WITH NATURAL VENEER OF THE SAME WOOD USED ON THE RESPECTIVE PART OF THE FURNITURE.



RECEPTION COUNTER PLAN

SCALE 1:20



RECEPTION COUNTER FRONT ELEVATION

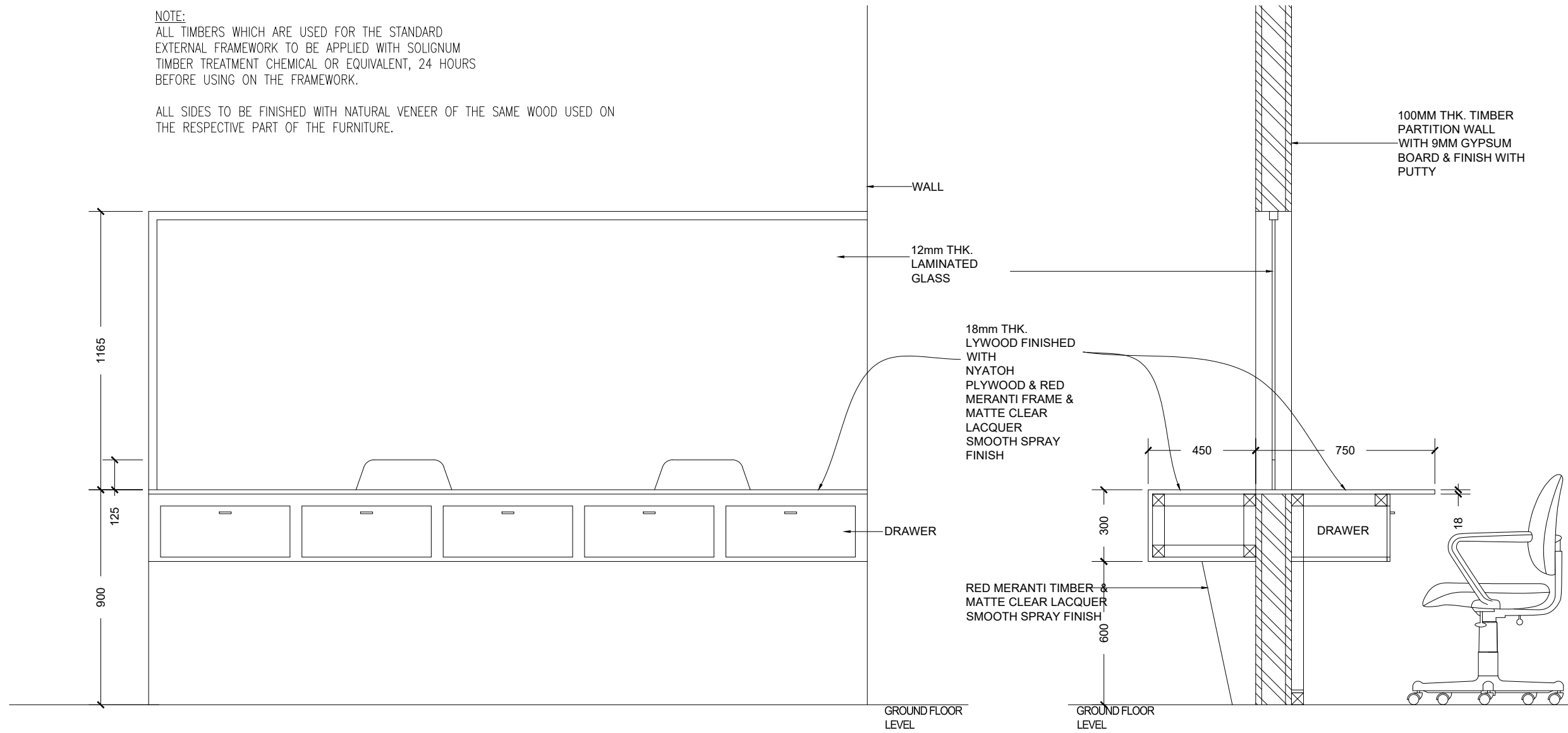
SCALE 1:20

GROUND FLOOR LEVEL

NOTE:

ALL TIMBERS WHICH ARE USED FOR THE STANDARD EXTERNAL FRAMEWORK TO BE APPLIED WITH SOLIGNUM TIMBER TREATMENT CHEMICAL OR EQUIVALENT, 24 HOURS BEFORE USING ON THE FRAMEWORK.

ALL SIDES TO BE FINISHED WITH NATURAL VENEER OF THE SAME WOOD USED ON THE RESPECTIVE PART OF THE FURNITURE.



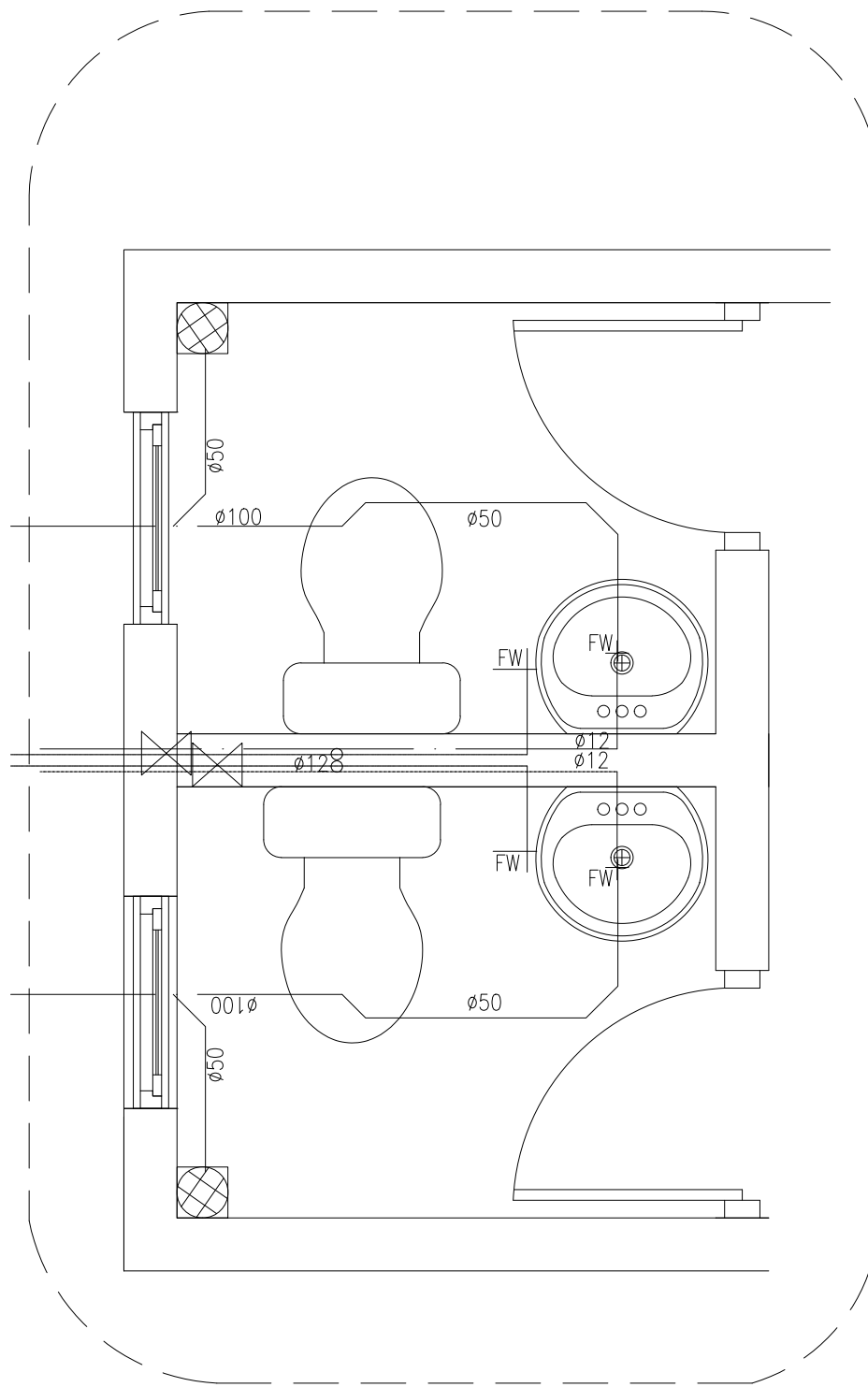
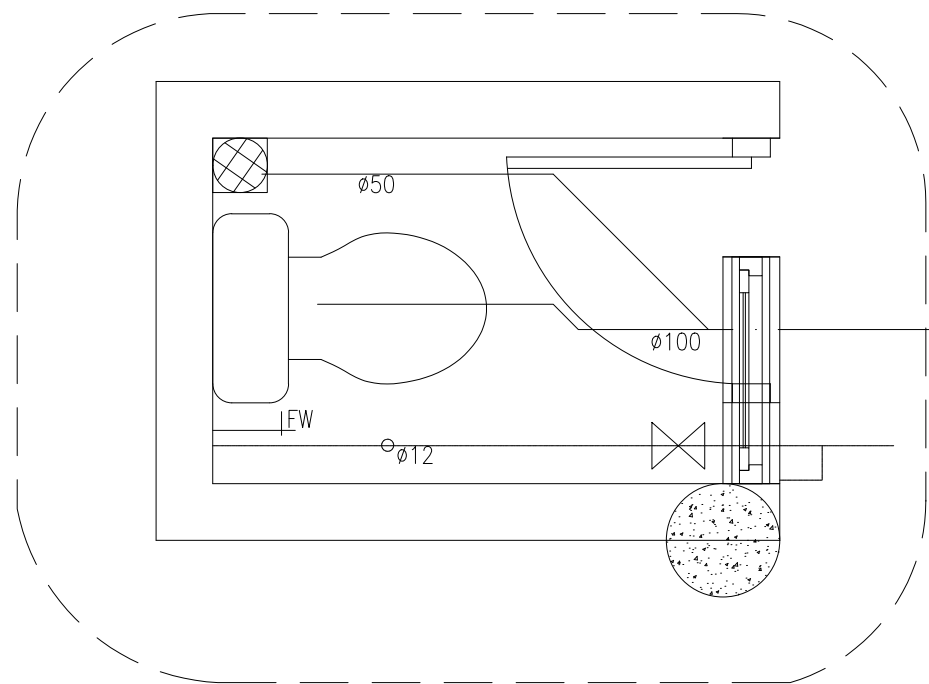
RECEPTION COUNTER REAR ELEVATION

SCALE 1:20

RECEPTION COUNTER

SECTION

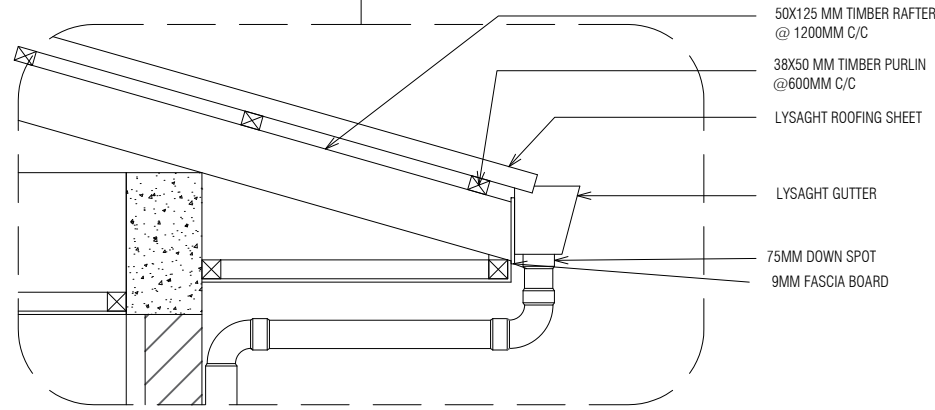
SCALE 1:20



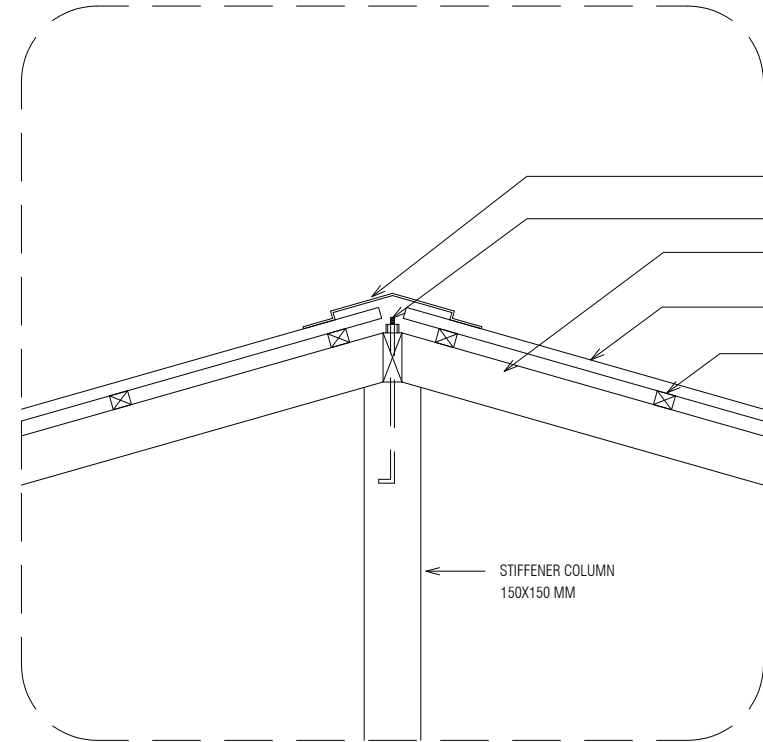
- SYMBOLS LEGEND (PLUMBING)**
- Soil Waste pipe
 - 50mm Ø Waste pipe
 - 50mm Ø vent pipe
 - - - - - Ground well water pipe
 - ⊗ Stop gate valve
 - ⊘ Non return valve
 - Hand shower
 - FD ⊗ Floor drain with water tap
 - B Wash basin
 - KS Kitchen sink
 - WC Water closet
 - FW ⊕ Fresh water tap
 - GPE ⊕ Ground water pump (Electric)
 - GPD ⊕ Ground water pump (Duplicate)

PLUMBING DETAILS
SCALE 1:20

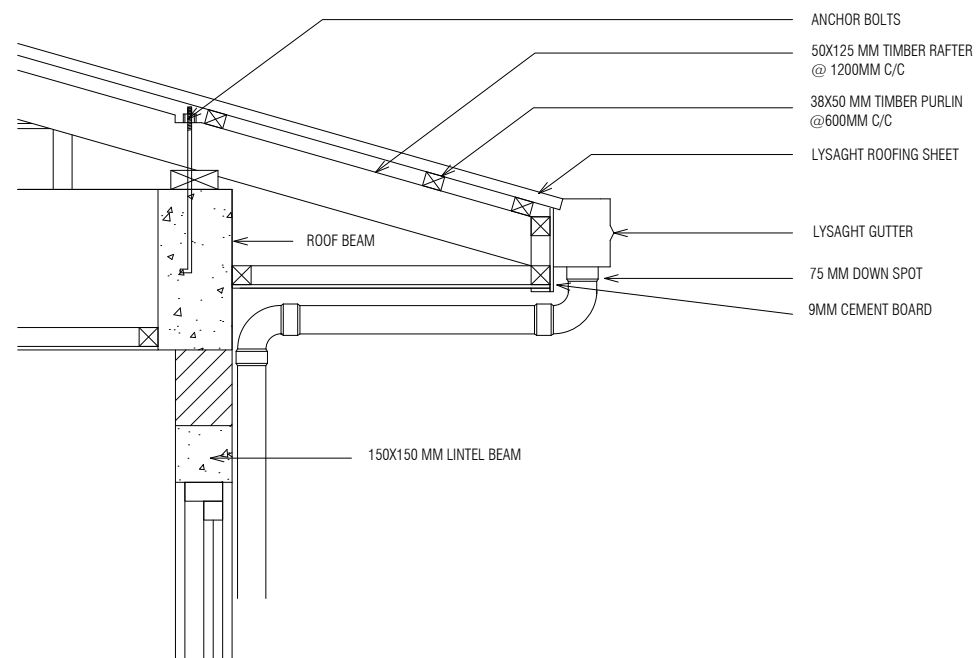
DETAIL 01



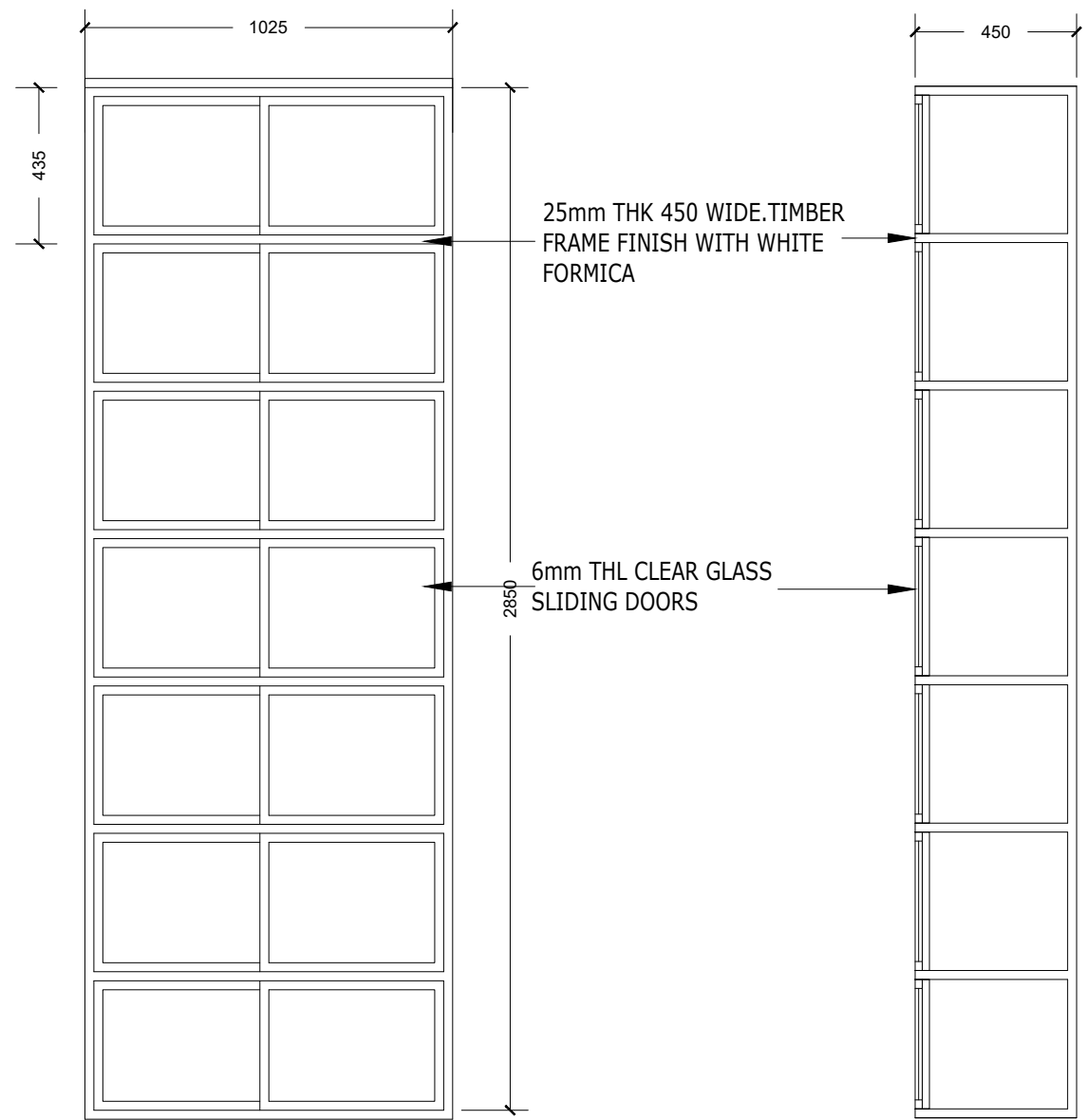
DETAIL AT 01
SCALE 1:20



DETAIL AT 02
SCALE 1:20



DETAIL AT 03
SCALE 1:20



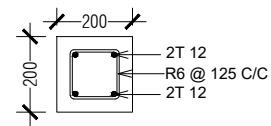
RACK DETAIL (ELEVATION)

RACK DETAIL (SECTION)

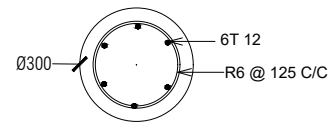

RACK DETAILS
 1:20

NOTE:
FOUNDATION DEPTH 1200MM
FOOTING DETAILS
 F1 - 850 x 850 x 300 - 5T10 @ 200 mm mm C/C B/W B1 & B2
 F2 - 600 x 600 x 300 - 4T10 @ 200 mm C/C B/W B1 & B2
 COVER - 50mm (WITH 50mm SCREED)

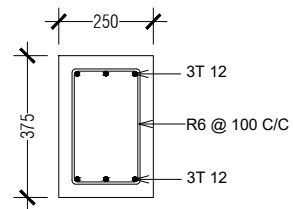
GROUND SLAB DETAILS
 SLAB THICKNESS - 80mm
 R6-200mm C/C SINGLE NET



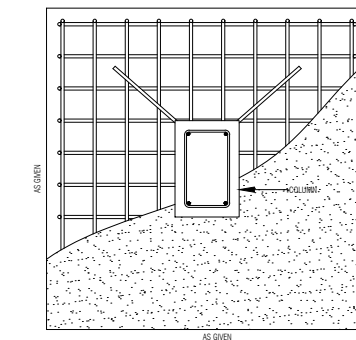
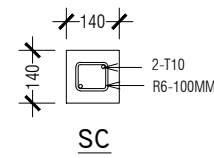
COLUMN C1



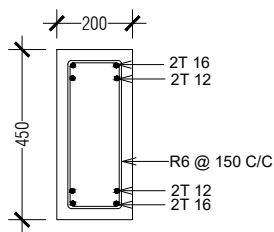
COLUMN C2



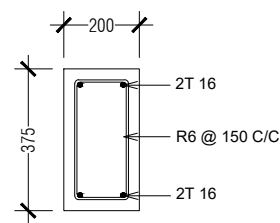
TIE BEAM



TYPICAL PLAN (FOUNDATION PAD)

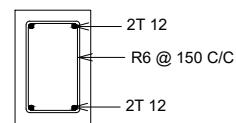


B1

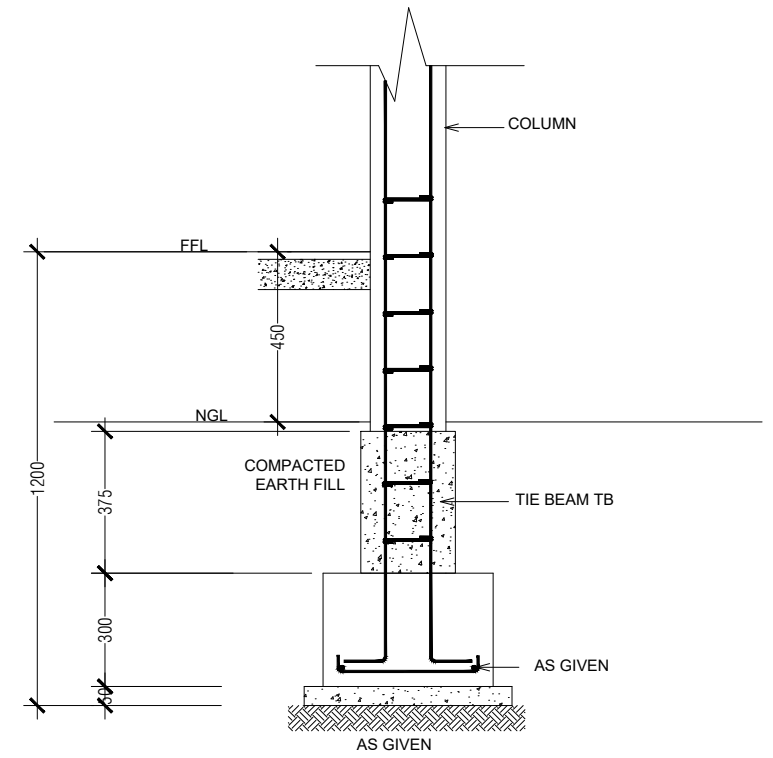


B2

ROOF BEAM



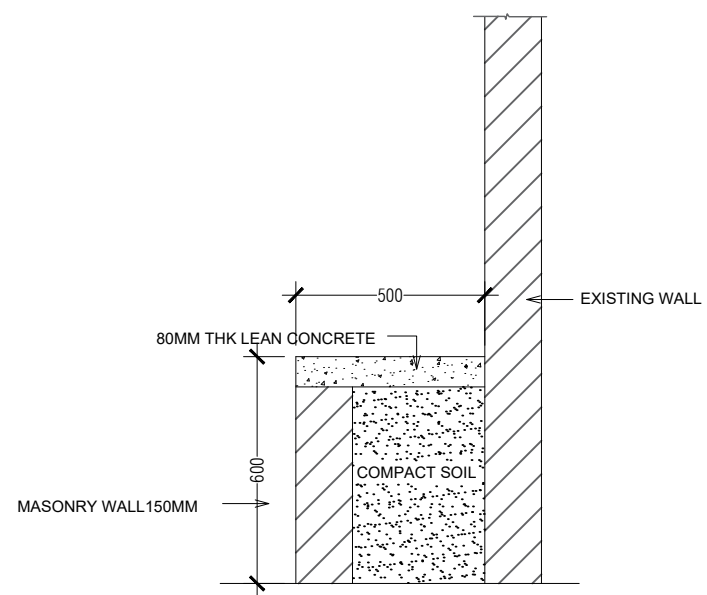
B3



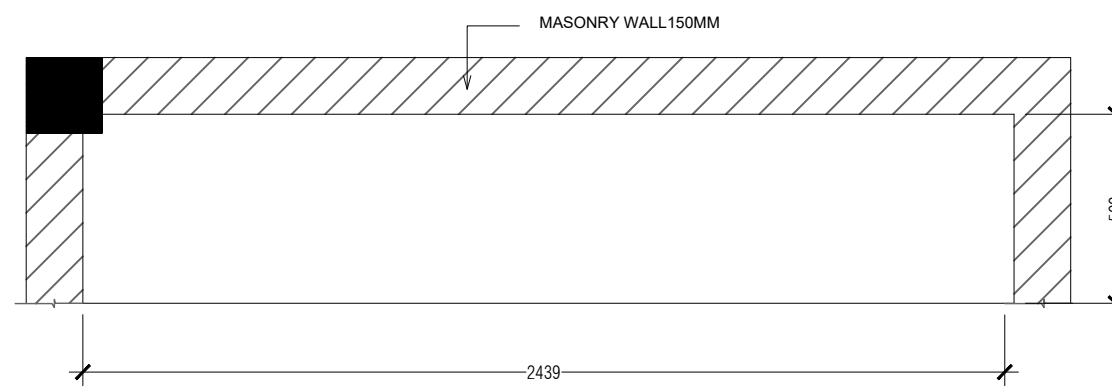
FOUNDATION BEAM (FB1)

STRUCTURAL DETAIL

SCALE 1:20



SECTION



PLAN

BENCH CELL DETAIL

SCALE 1:20