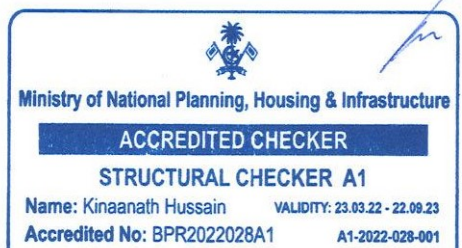

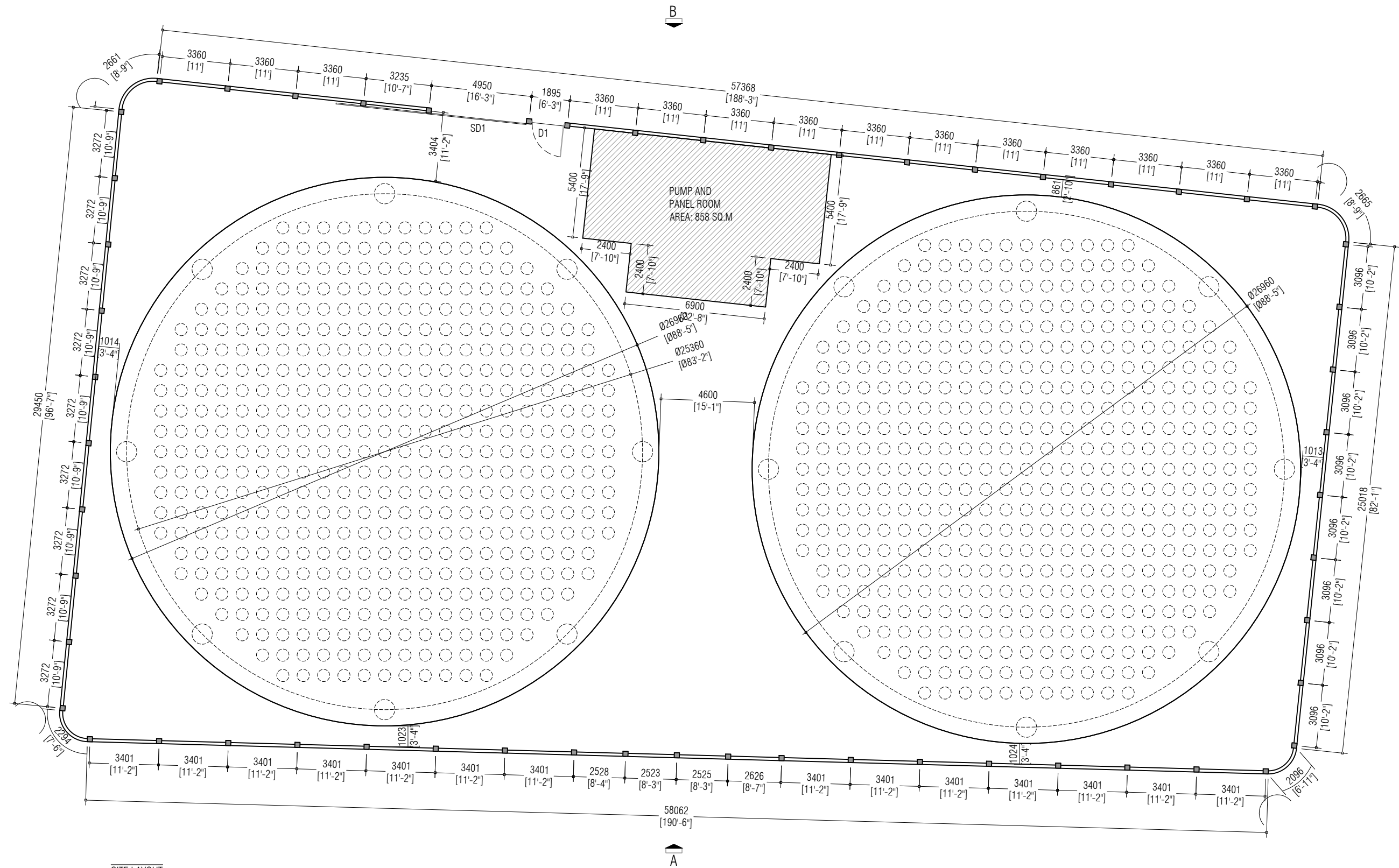
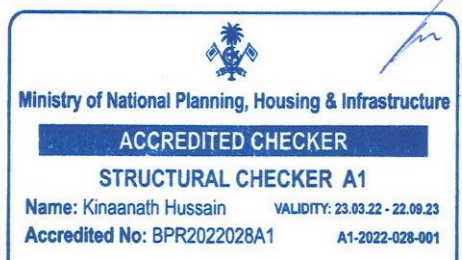


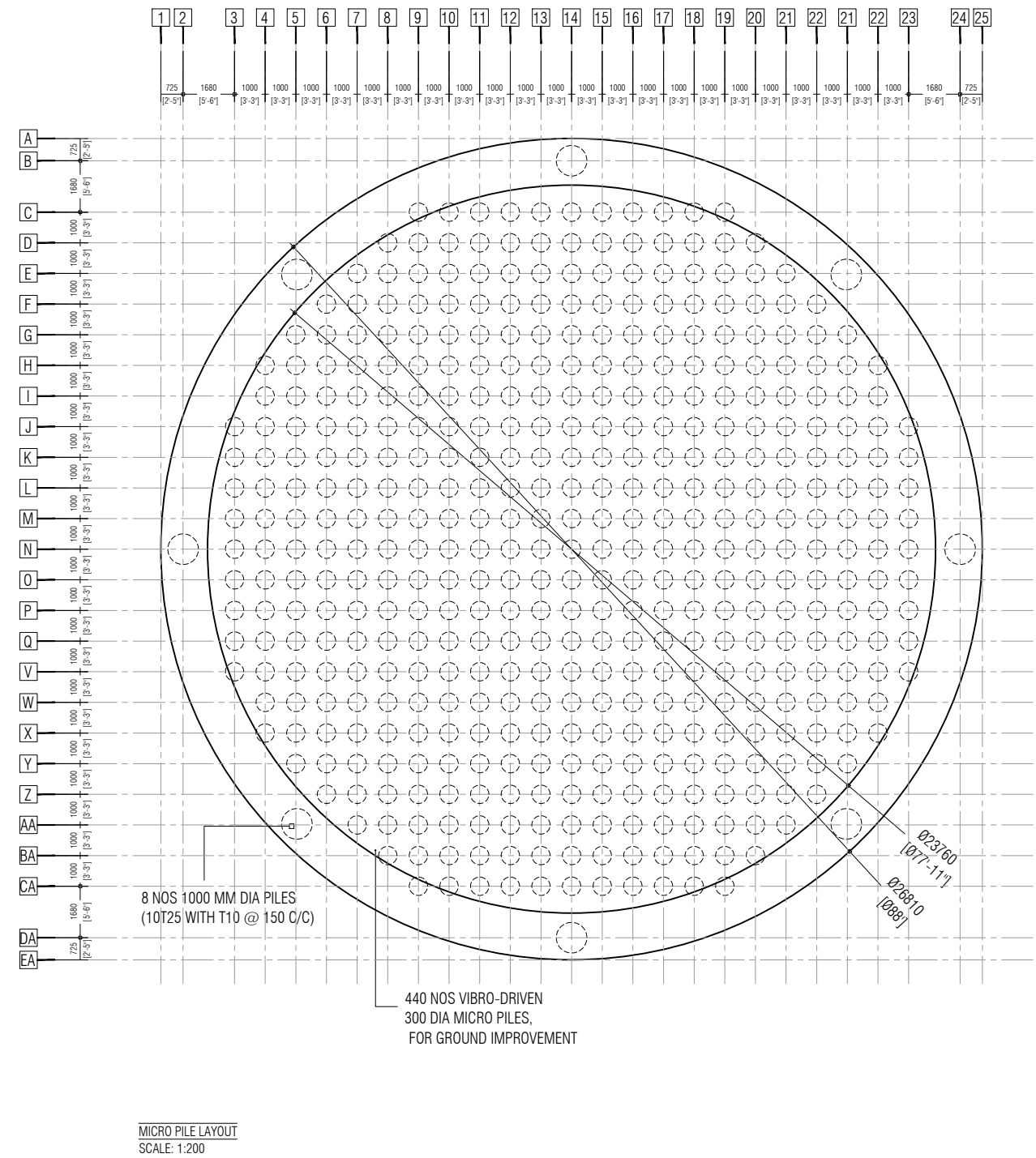
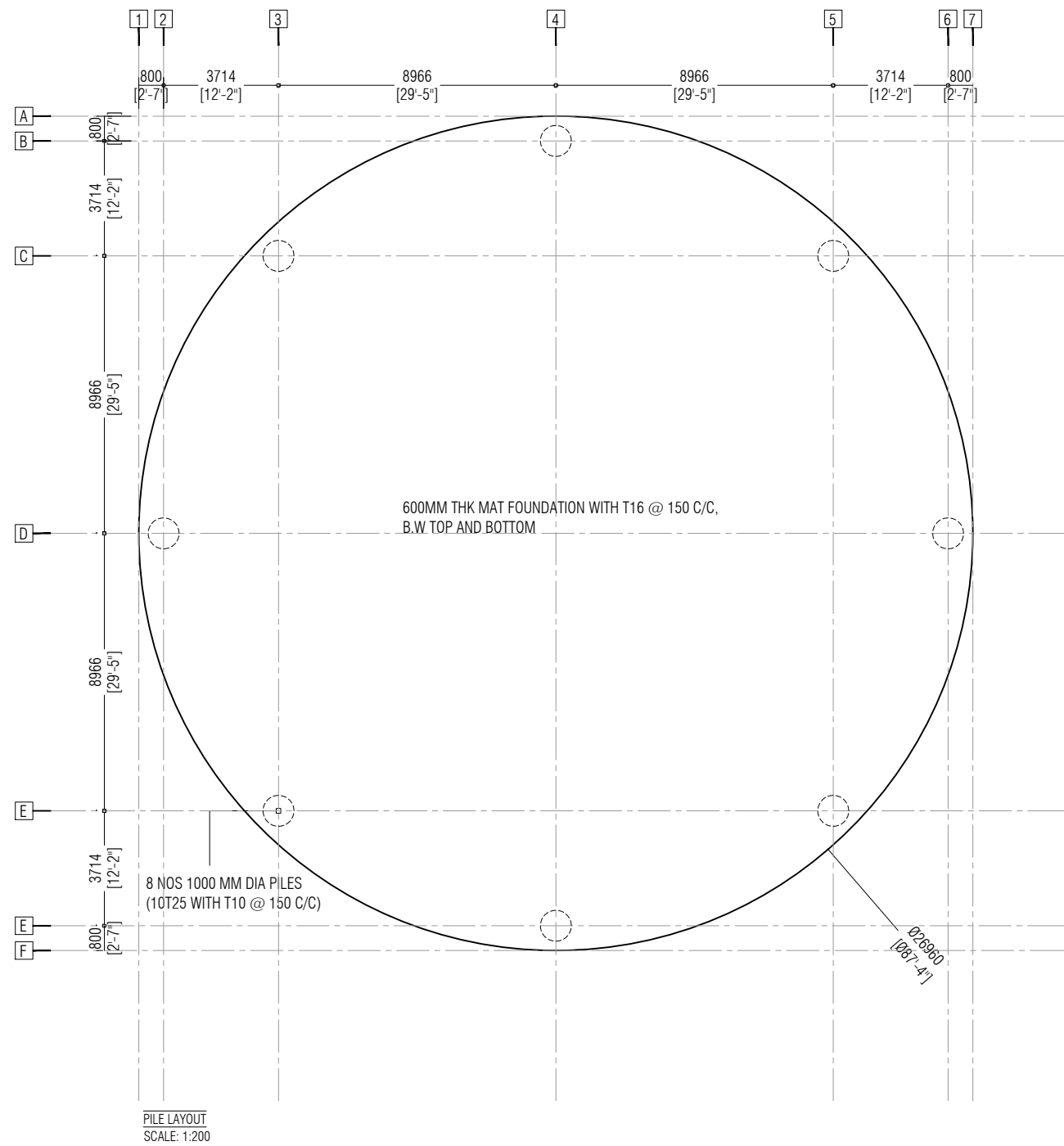
| | | | | | |
|-----------------------|--|-------------|---|---|---|
| ARCHITECTURAL CHECKER | STRUCTURAL CHECKER  <p> Ministry of National Planning, Housing & Infrastructure ACCREDITED CHECKER STRUCTURAL CHECKER A1 Name: Kinaanath Hussain VALIDITY: 23.03.22 - 22.09.23 Accredited No: BPR2022028A1 A1-2022-028-001 </p> | APPROVED BY | PROJECT INSTALLATION OF 26,000 M ³ TANK - K. MALE' CONSTRUCTION OF FOUNDATION AND BOUNDARY WALL TITLE SITE LOCATION CLIENT DEPARTMENT OPERATIONS DEPARTMENT DESIGN CONTRACTOR PLANNING AND DESIGN DEPARTMENT PAPER SIZE A3 | DESIGN BY STRUCTURE BY DRAWN BY KINAANATH HUSSAIN SCALE 1:200 DWG DATE 30-03-2022 REVISED DATE | AMENDMENTS  <p> <small> ARBITHI MAGU, MOCHCHINDOLA VILAY, 20-01, REPUBLIC OF MALDIVES TEL: (+960) 3322209, FAX: (+960) 3324306, E-mail: mwsc@maldives.net.mv </small> </p> |
|-----------------------|--|-------------|---|---|---|



SITE LAYOUT
SCALE: 1:250

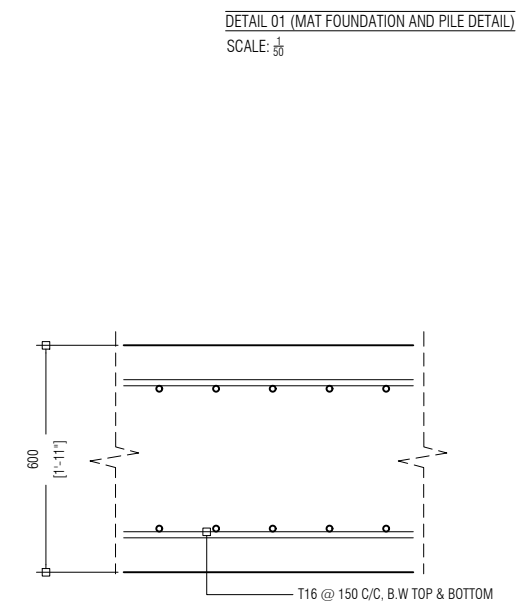
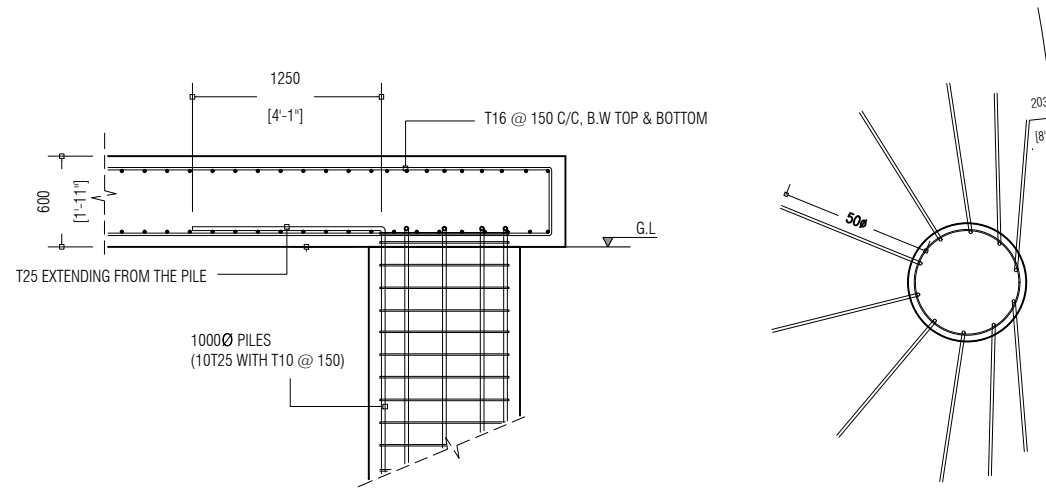
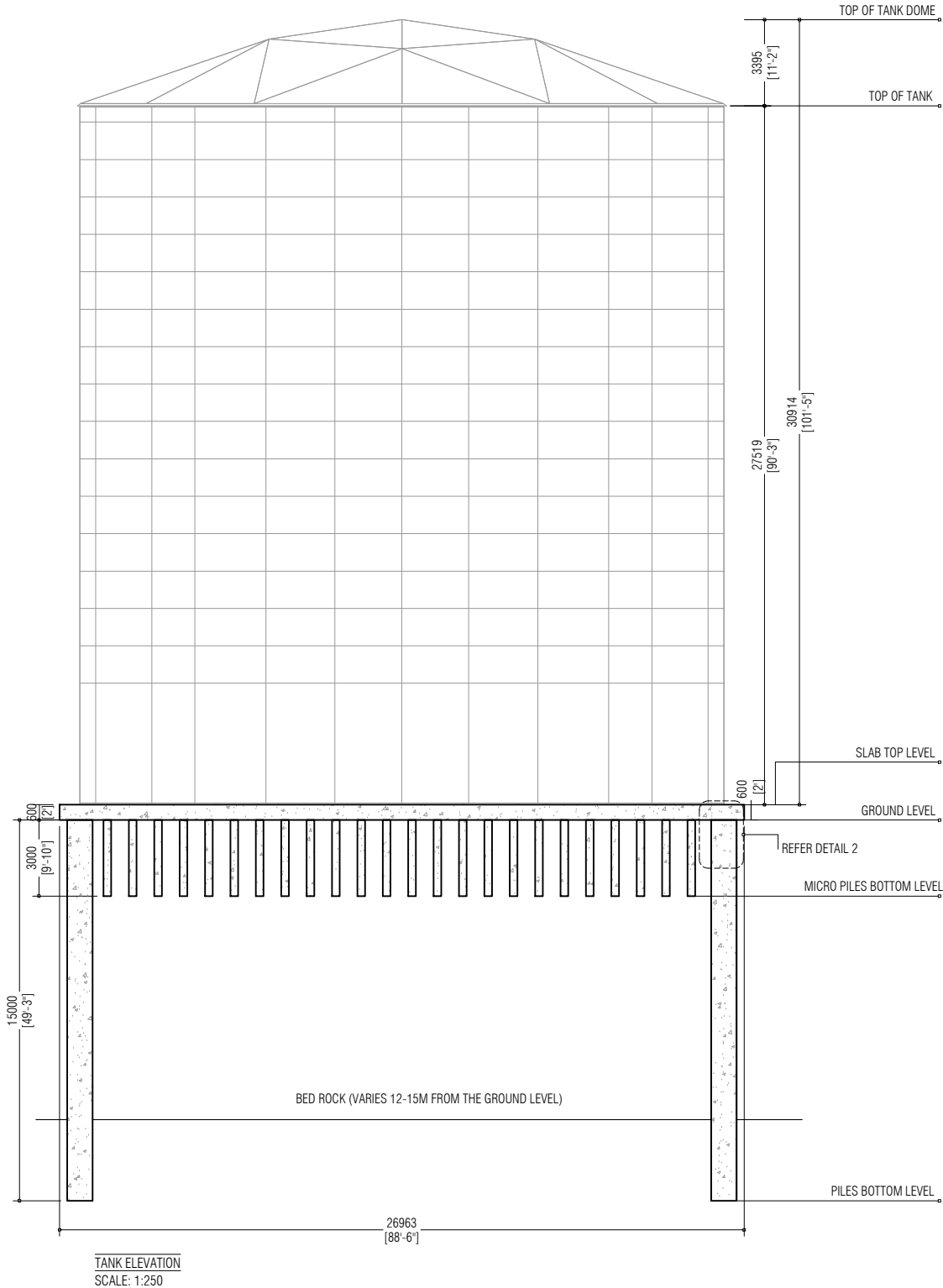
| | | | | | |
|-----------------------|--|-------------|---|-----------------------------------|------------------------------------|
| ARCHITECTURAL CHECKER | STRUCTURAL CHECKER  <p> ACCREDITED CHECKER STRUCTURAL CHECKER A1 Name: Kinaanath Hussain VALIDITY: 23.03.22 - 22.09.23 Accredited No: BPR2022028A1 A1-2022-028-001 </p> | APPROVED BY | PROJECT INSTALLATION OF 26,000 M ³ TANK - K. MALE CONSTRUCTION OF FOUNDATION AND BOUNDARY WALL | DESIGN BY MAANIH UMAR | AMENDMENTS |
| | | | TITLE SITE LAYOUT | STRUCTURE BY KINAANATH HUSSAIN | |
| | | | CLIENT DEPARTMENT OPERATIONS DEPARTMENT | DRAWN BY KINAANATH HUSSAIN | |
| | | | DESIGN CONTRACTOR PLANNING AND DESIGN DEPARTMENT | SCALE DWG | 1:200 |
| | | | PAPER SIZE A3 | PAGE NO. 02 | DATE 30-03-2022 REVISED DATE |



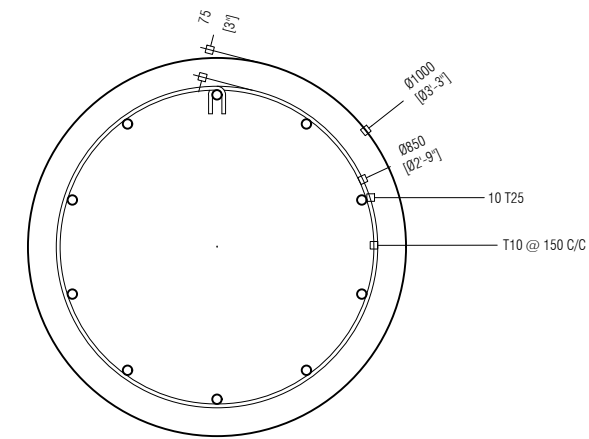
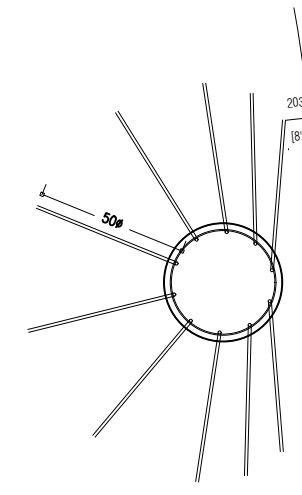


| | | | | | |
|-----------------------|--------------------|-------------|---|----------------------|--------------|
| ARCHITECTURAL CHECKER | STRUCTURAL CHECKER | APPROVED BY | PROJECT | DESIGN BY | AMENDMENTS |
| | | | INSTALLATION OF 26,000 M ³ TANK - K. MALE' | MAANIH UMAR | |
| | | | CONSTRUCTION OF FOUNDATION AND BOUNDARY WALL | | |
| | | | TITLE | STRUCTURE BY | |
| | | | PILE LAYOUTS | KINAANATH HUSSAIN | |
| | | | CLIENT DEPARTMENT | DRAWN BY | |
| | | | OPERATIONS DEPARTMENT | MOHAMED FAYYAZ FAUZY | |
| | | | DESIGN CONTRACTOR | SCALE | AS GIVEN |
| | | | PLANNING AND DESIGN DEPARTMENT | DWG | |
| | | | PAPER SIZE A3 | DATE 30.03.2022 | REVISED DATE |
| | | | PAGE NO. 03 | | |

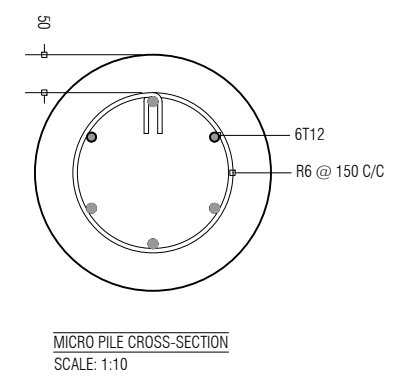




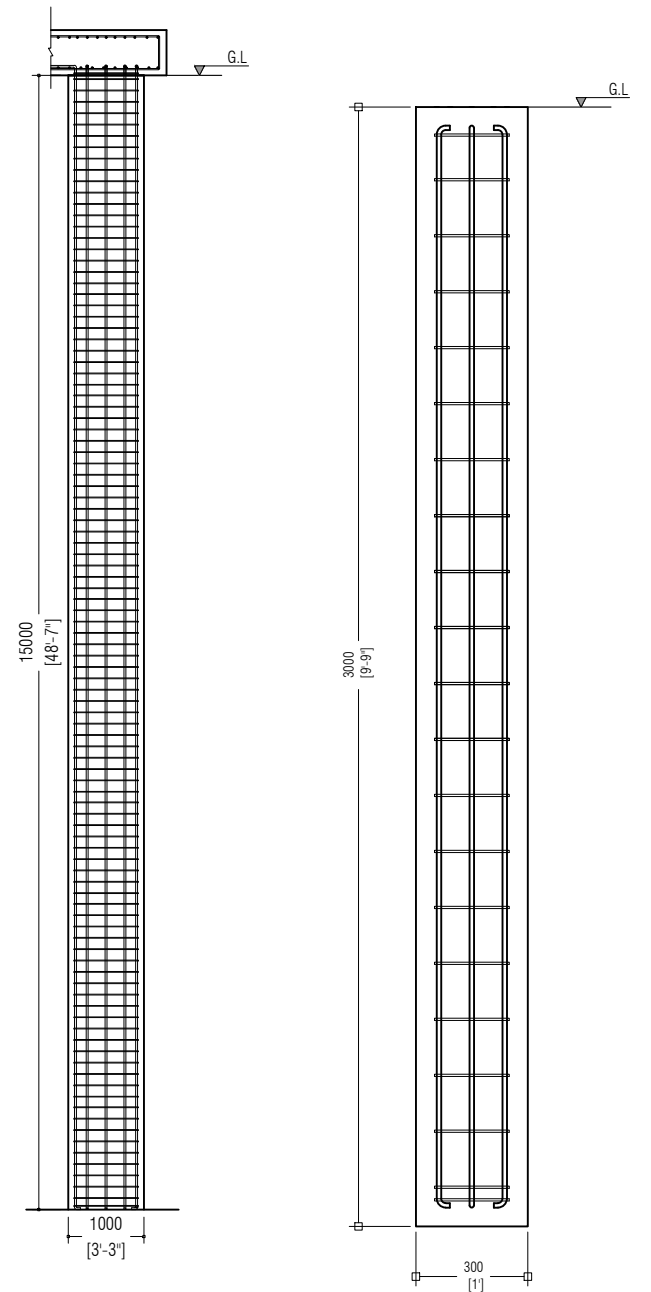
DETAIL 01 (MAT FOUNDATION AND PILE DETAIL)
SCALE: 1:20



PILE CROSS-SECTION
SCALE: 1:20



MICRO PILE CROSS-SECTION
SCALE: 1:10



PILE DETAILS
SCALE: 1:100

MICRO PILE DETAILS
SCALE: 1:20

GENERAL NOTES FOR PILING WORKS:

1. THE CONTRACTOR SHALL VERIFY ALL DIMENSIONS AND LEVELS ON SITE AND RESOLVE ANY DISCREPANCY WITH THE ARCHITECT OR ENGINEER BEFORE COMMENCEMENT OF WORK.
2. A COPY OF PILE SETTING OUT PLAN PREPARED BY A LICENSED SURVEYOR SHALL BE SUBMITTED BY THE CONTRACTOR TO ARCHITECT AND ENGINEER PRIOR TO THE COMMENCEMENT OF THE WORK.
3. GRADE OF CONCRETE FOR PILE SHALL BE M40 (FCU = 40 N/MM²) WITH CEMENT CONTENT NOT LESS THAN 400 Kg/M³ APPROVED DESIGN MIX SHALL BE ADOPTED IN CONSTRUCTION
4. REINFORCEMENT SHALL BE HIGH STRENGTH DEFORMED BARS (FY = 500 N/MM²)
 - A) LONGITUDINAL REINFORCEMENT SHALL BE EXTENDED UP TO THE TIP OF THE PILE (BASE OF THE PILE)
 - B) STIFFENER BARS ARE TO BE 16MMØ MIN. @ INTERVAL OF NOT MORE THAN 1.5M.
5. ALL PILES SHALL BE INSTALLED TO HAVE AN ULTIMATE CAPACITY OF NOT LESS THAN 2.5 TIMES THE SPECIFIED WORKING CAPACITY OF PILE.
6. THE WORKING PILES SHALL BE INSTALLED UPON SUCCESSFUL COMPLETION OF PRELIMINARY ULTIMATE LOAD TEST
7. ALL PILES SHALL HAVE EMBEDMENT IN TO HARD STRATA.
8. THE MAXIMUM PERMISSIBLE DEVIATION OF THE CENTRE OF EACH PILE AT CUT-OFF LEVEL IN A GROUP FROM THE CORRECT CENTRE POINT AS APPROVED BY THE ENGINEER SHALL BE 75MM IN ANY DIRECTION. ALLOWABLE DEVIATION OF THE CENTRE OF PILES FOR ANY SINGLE PILE OR SINGLE LINE OF PILES CARRYING STRUCTURAL LOAD SHALL NOT BE MORE THAN 40MM LATERALLY FROM ITS CORRECT POSITION. ALL PILES SHALL BE INSTALLED USING ROTARY PILING RIG ONLY.
9. THE FORMAT OF THE PILING RECORD SHALL BE SUBMITTED TO THE ENGINEER'S APPROVAL BEFORE COMMENCEMENT OF WORK. COMPLETE PILING RECORDS SHALL BE KEPT BY THE CONTRACTOR DURING THE INSTALLATION OF PILE. THE CONTRACTOR SHALL SUBMIT THE RECORDS PILES AS THE WORK PROCEEDS.
10. AFTER THE COMPLETION OF THE PILING WORK, THE CONTRACTOR SH. SUBMIT AS-BUILT DRAWING PREPARED BY A REGISTERED LICENSED SURVEYOR WHICH INCLUDES THE SIZE AND TYPE OF PILES, ECCENTRIC AND PENETRATION DEPTH FROM CUTOFF LEVEL. ECCENTRICITY OF PILE BE TAKEN AT CUTOFF LEVEL FOR THE PILE.
11. THE STRIPPING AND CUTTING OF PILE TO THE REQUIRED CUTOFF LEVEL TO BE CARRIED OUT BY THE PILING CONTRACTOR, WHEN THE EXCAVATION FOR CONSTRUCTION OF PILECAP IS COMPLETED BY THE OTHER CONF THE CONTRACTOR SHALL ALLOW IN HIS TENDER FOR THE SAME.
12. THE CONTRACTOR SHALL ENSURE AND PROVIDE NECESSARY PROTECTIC THAT THE ADJACENT BUILDINGS ARE NOT AFFECTED AND DAMAGED DUE THE INSTALLATION OF BORED PILES
13. ROUTINE LOAD TEST TO BE CARRIED OUT TO A LOAD OF 1.5 TIMES SPECIFIED WORKING CAPACITY OF PILE.

ARCHITECTURAL CHECKER

STRUCTURAL CHECKER

APPROVED BY

| | |
|-------------------|---|
| PROJECT | INSTALLATION OF 26,000 M ³ TANK - K. MALE' |
| TITLE | CONSTRUCTION OF FOUNDATION AND BOUNDARY WALL |
| DETAILS | |
| CLIENT DEPARTMENT | OPERATIONS DEPARTMENT |
| DESIGN CONTRACTOR | PLANNING AND DESIGN DEPARTMENT |
| PAPER SIZE | A3 |

| | |
|--------------|----------------------|
| DESIGN BY | MAANIH UMAR |
| STRUCTURE BY | KINAANATH HUSSAIN |
| DRAWN BY | MOHAMED FAYYAZ FAUZY |
| SCALE | AS GIVEN |
| DWG | |
| DATE | 30.03.2022 |
| REVISED DATE | |

| | |
|------------|--|
| AMENDMENTS | |
| | |
| | |
| | |
| | |

