

**WASTE MANAGEMENT CENTER AT SH.NARUDHOO
[ARCHITECTURAL, STRUCTURAL & MEP DRAWINGS]**

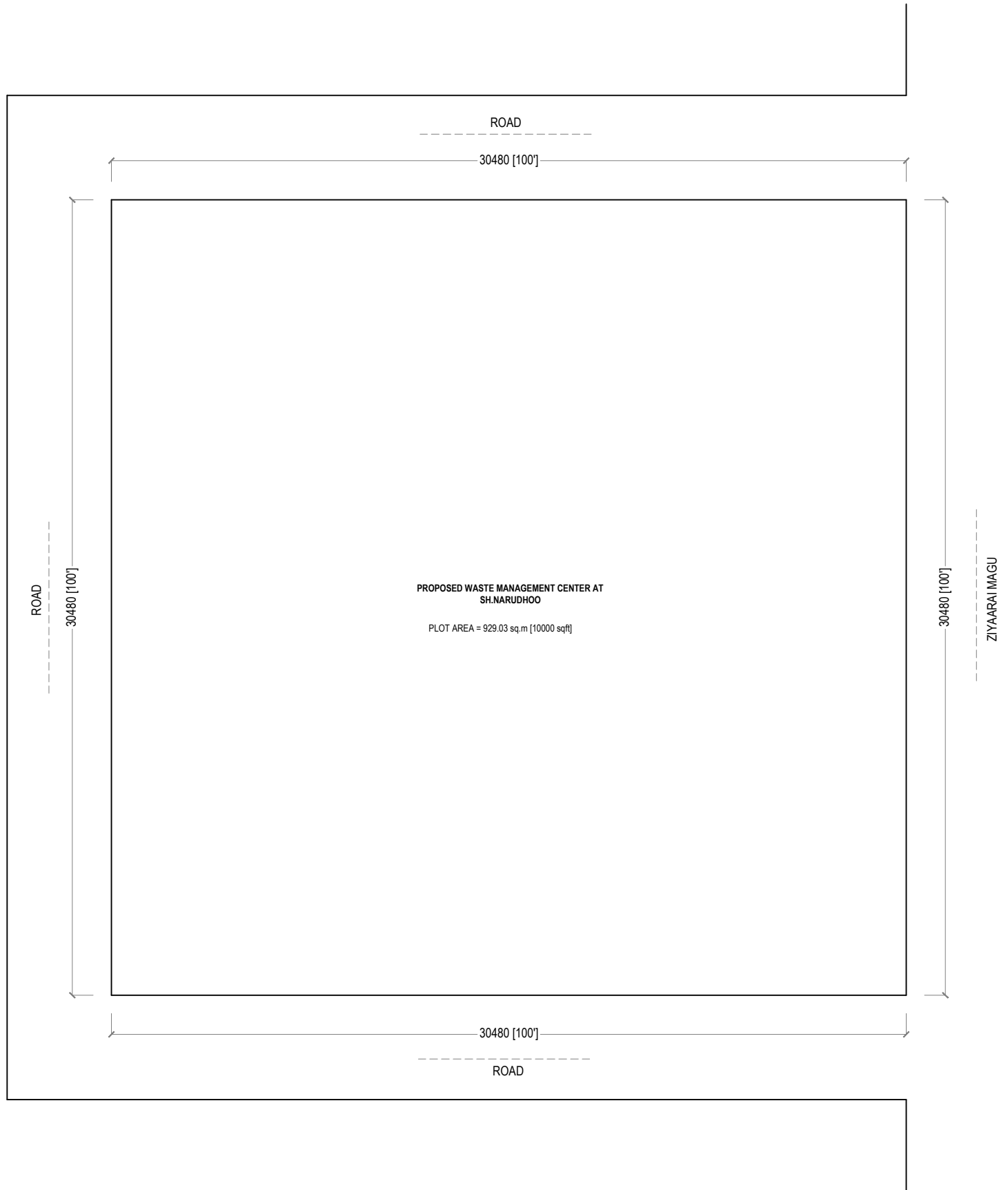
PROJECT: CONSULTANCY SERVICES FOR PREPARATION OF DRAWINGS AND BILL
OF QUANTITIES FOR THE PROPOSED 14 ISLAND WASTE MANAGEMENT CENTERS

CLIENT: MINISTRY OF ENVIRONMENT

PREPARED BY:



Charter Engineering Company Private Limited
Second floor, M.Biminee, Male', Maldives
Email: charter.enr@gmail.com, Mob: +(960) 782-9969



1 WMC SITE
 REF. XX-00 SCALE : 1:200 (A3)



GENERAL NOTES:

- All dimensions shall be verified on site before proceeding with work.
- In case of any confusion in the structural elements, the measurements given in the structural drawings has to be followed.
- DO NOT SCALE DRAWINGS. Work to figured dimensions.
- All the dimensions given in mm, unless specified otherwise.

KEY PLAN:

REV.	DESCRIPTION	DATE



Charter Engineering Company Private Limited
 Second floor, M.Biminee, Male', Maldives
 Email: charter.enr@gmail.com, Mob: +(960) 782-9969

- PHASE:
- CONCEPTUAL DESIGN
 - DESIGN DEVELOPMENT
 - DESIGN APPROVAL
 - CONSTRUCTION DOCUMENTATION
 - AS-BUILT DRAWINGS

PROJECT:
CONSULTANCY SERVICES FOR THE ARCHITECTURAL DRAWINGS AND BILL OF QUANTITIES FOR THE PROPOSED 14 ISLANDS WMC

CLIENT: **MINISTRY OF ENVIRONMENT**

LOCATION: **SH.NARUDHOO**

DISCIPLINE: **ARCHITECTURAL**

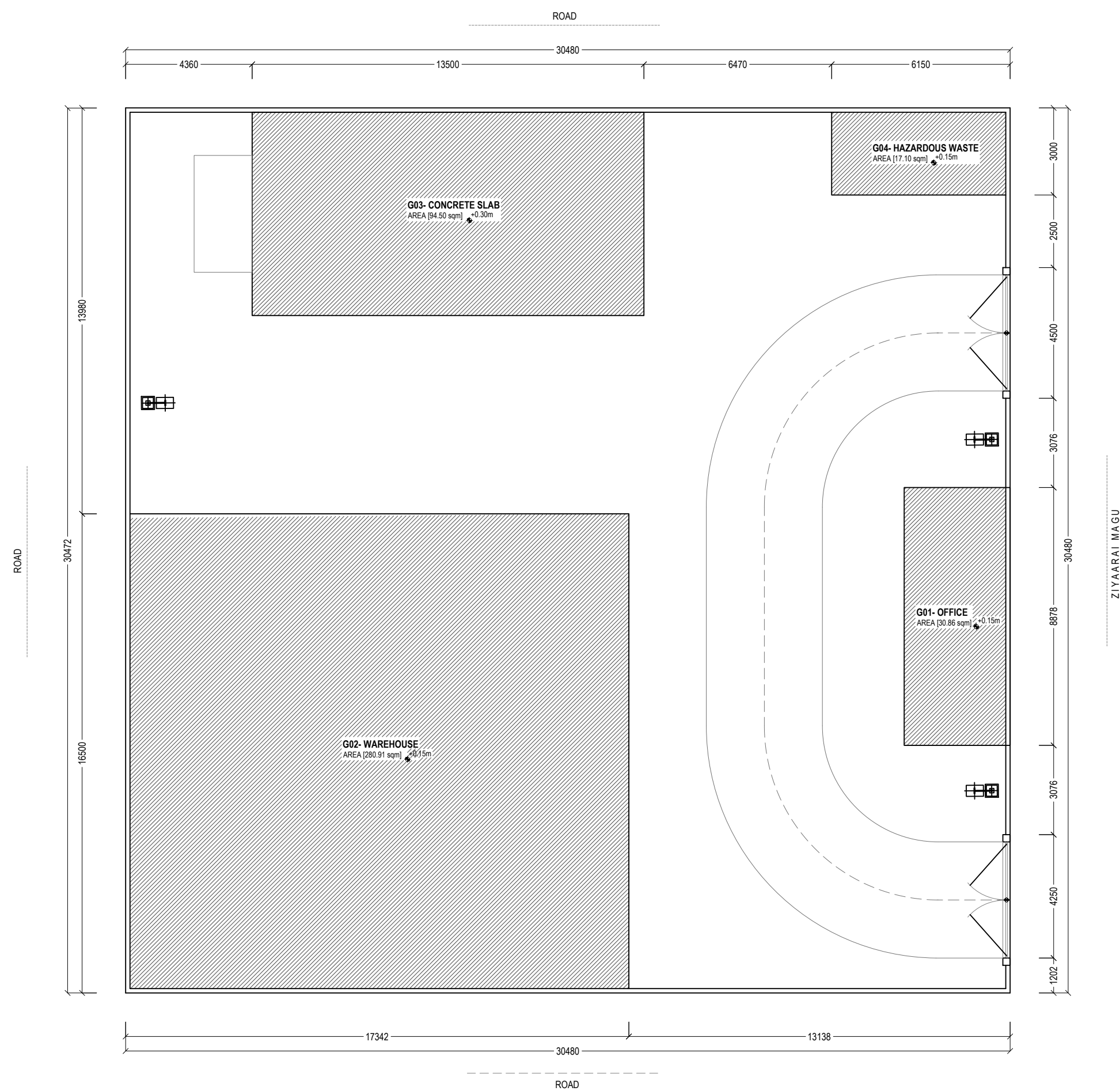
DRAWN BY: **ISMAIL**

DESIGNED BY: **CEC**

CHECKED BY: **CEC**

DATE: **Mar 22** SCALE: **1:200** SHEET SIZE: **A3**

DRAWING NO.	REV.
A-1.01	0.00



GENERAL NOTES:

- All dimensions shall be verified on site before proceeding with work.
- In case of any confusion in the structural elements, the measurements given in the structural drawings has to be followed.
- DO NOT SCALE DRAWINGS. Work to figured dimensions.
- All the dimensions given in mm, unless specified otherwise.

KEY PLAN:

REV.	DESCRIPTION	DATE



Charter Engineering Company Private Limited
 Second floor, M.Biminee, Male', Maldives
 Email: charter.enr@gmail.com, Mob: +(960) 782-9969

- PHASE:
- CONCEPTUAL DESIGN
 - DESIGN DEVELOPMENT
 - DESIGN APPROVAL
 - CONSTRUCTION DOCUMENTATION
 - AS-BUILT DRAWINGS

PROJECT:
CONSULTANCY SERVICES FOR THE ARCHITECTURAL DRAWINGS AND BILL OF QUANTITIES FOR THE PROPOSED 14 ISLANDS WMC

CLIENT: MINISTRY OF ENVIRONMENT

LOCATION: SH.NARUDHOO

DISCIPLINE: ARCHITECTURAL

DRAWN BY: ISMAIL

DESIGNED BY: CEC

CHECKED BY: CEC

DATE: Mar 22 SCALE: 1:150 SHEET SIZE: A3

DRAWING NO. REV.

A-1.02

0.00



1 WMC SITE ALLOCATIONS
 REF. XX-00 SCALE : 1:150 (A3)



GENERAL NOTES:

- All dimensions shall be verified on site before proceeding with work.
- In case of any confusion in the structural elements, the measurements given in the structural drawings has to be followed.
- DO NOT SCALE DRAWINGS. Work to figured dimensions.
- All the dimensions given in mm, unless specified otherwise.

KEY PLAN:

REV.	DESCRIPTION	DATE



Charter Engineering Company Private Limited
 Second floor, M. Birniee, Male', Maldives
 Email: charter engr@gmail.com, Mob: +(960) 782-9969

PHASE:

- CONCEPTUAL DESIGN
- DESIGN DEVELOPMENT
- DESIGN APPROVAL
- CONSTRUCTION DOCUMENTATION
- AS-BUILT DRAWINGS

PROJECT:

CONSULTANCY SERVICES FOR THE ARCHITECTURAL DRAWINGS AND BILL OF QUANTITIES FOR THE PROPOSED 14 ISLANDS WMC

CLIENT: — MINISTRY OF ENVIRONMENT

LOCATION: SH.NARUDHOO

DISCIPLINE: ARCHITECTURAL

DRAWN BY: ISMAIL

DESIGNED BY: CEC

CHECKED BY: CEC

DATE: Mar 22 SCALE: 1:150 SHEET SIZE: A3

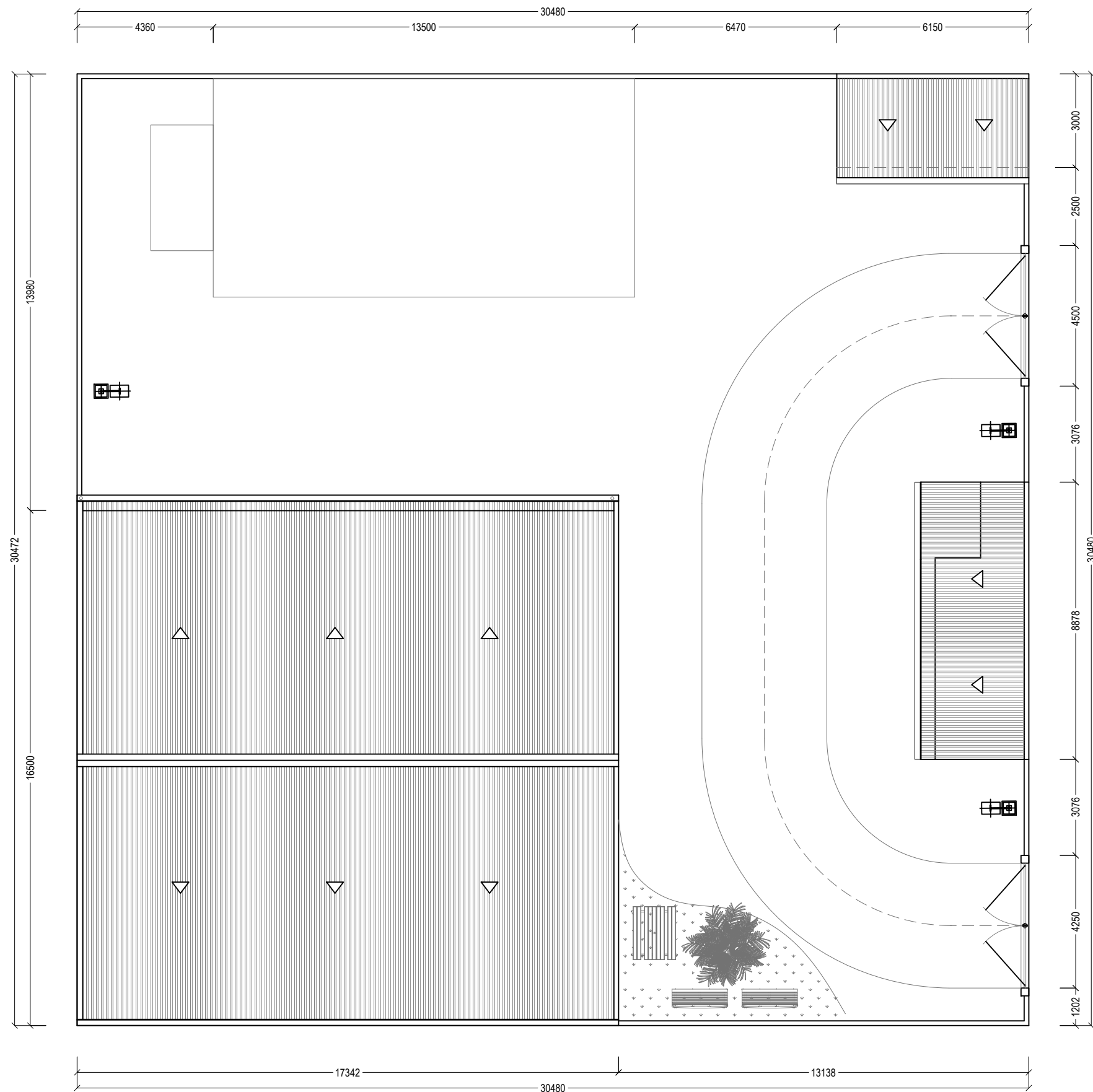
DRAWING NO. REV.

A-1.03

0.00

1 WMC SITE FLOOR LAYOUT
 REF. XX-00 SCALE : 1:150 (A3)





GENERAL NOTES:

- All dimensions shall be verified on site before proceeding with work.
- In case of any confusion in the structural elements, the measurements given in the structural drawings has to be followed.
- DO NOT SCALE DRAWINGS. Work to figured dimensions.
- All the dimensions given in mm, unless specified otherwise.

KEY PLAN:

REV.	DESCRIPTION	DATE



Charter Engineering Company Private Limited
 Second floor, M. Birminie, Male', Maldives
 Email: charter.enr@gmail.com, Mob: +(960) 782-9969

- PHASE:
- CONCEPTUAL DESIGN
 - DESIGN DEVELOPMENT
 - DESIGN APPROVAL
 - CONSTRUCTION DOCUMENTATION
 - AS-BUILT DRAWINGS

PROJECT:
CONSULTANCY SERVICES FOR THE ARCHITECTURAL DRAWINGS AND BILL OF QUANTITIES FOR THE PROPOSED 14 ISLANDS WMC

CLIENT: — MINISTRY OF ENVIRONMENT

LOCATION: SH.NARUDHOO

DISCIPLINE: ARCHITECTURAL

DRAWN BY: ISMAIL

DESIGNED BY: CEC

CHECKED BY: CEC

DATE: Mar 22 SCALE: 1:150 SHEET SIZE: A3

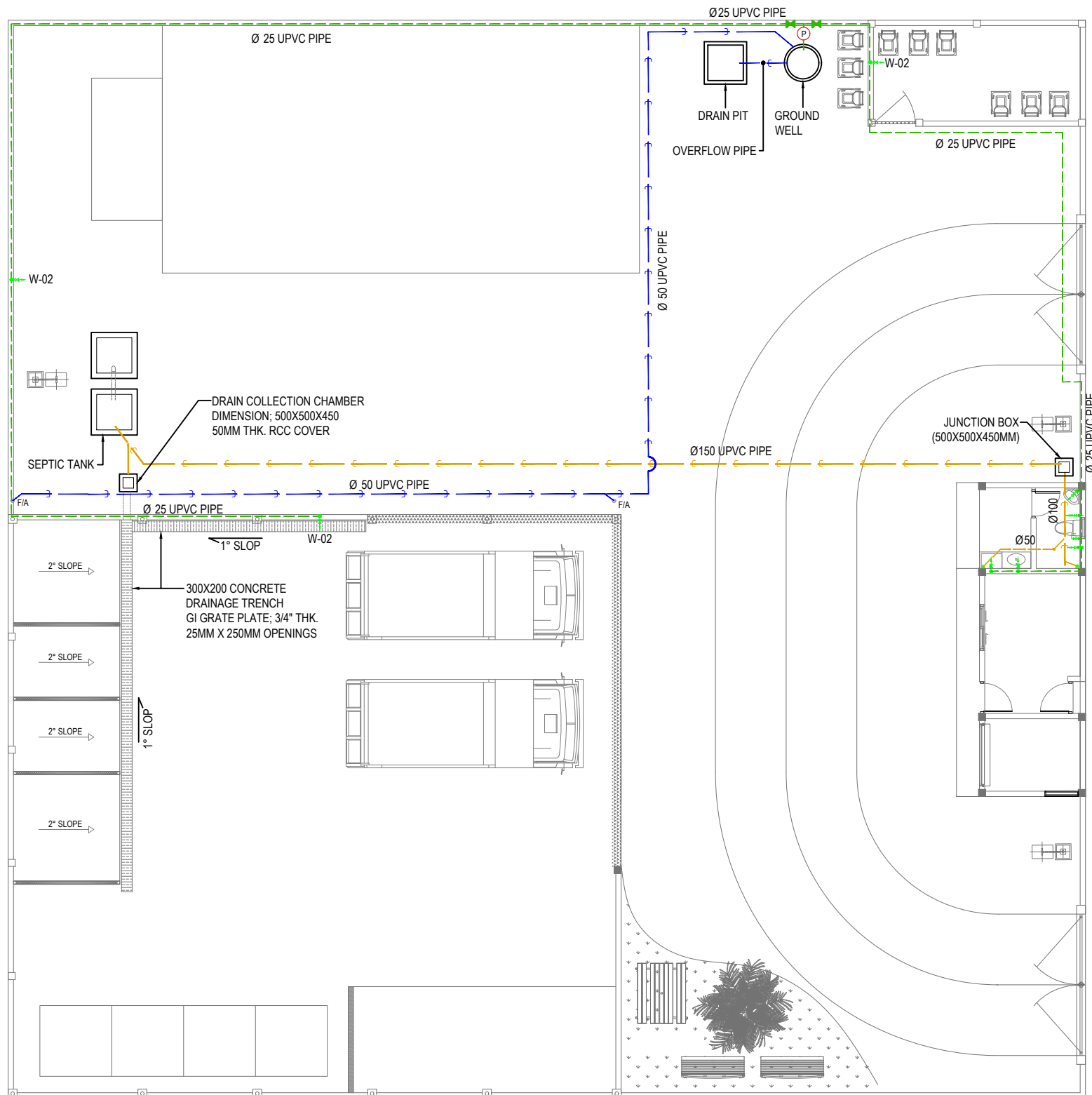
DRAWING NO. REV.

A-1.04

0.00



1 WMC SITE BUILDINGS ROOFING LAYOUT
 REF. XX-00 SCALE : 1:150 (A3)



PLUMBING LEGEND

SYMBOLS	LABEL	DESCRIPTION
(P)	W-01	WELL WATER PUMP
→→→	W-02	FAUCET /TAP
→→→→	W-03	MUSLIM SHOWER
→→	W-04	BALL VALVE
---		WATER SUPPLY PIPE
---		WASTE WATER DISPOSAL PIPE
---		RAINWATER CONVEYANCE PIPE

ALL PIPES LAID BELOW GROUND LEVEL

- GENERAL NOTES:**
- All dimensions shall be verified on site before proceeding with work.
 - In case of any confusion in the structural elements, the measurements given in the structural drawings has to be followed.
 - DO NOT SCALE DRAWINGS. Work to figured dimensions.
 - All the dimensions given in mm, unless specified otherwise.

KEY PLAN:

REV.	DESCRIPTION	DATE

REV.	DESCRIPTION	DATE



- PHASE:
- CONCEPTUAL DESIGN
 - DESIGN DEVELOPMENT
 - DESIGN APPROVAL
 - CONSTRUCTION DOCUMENTATION
 - AS-BUILT DRAWINGS

PROJECT: CONSULTANCY SERVICES FOR THE ARCHITECTURAL DRAWINGS AND BILL OF QUANTITIES FOR THE PROPOSED 14 ISLANDS WMC

CLIENT: MINISTRY OF ENVIRONMENT

LOCATION: SH.NARUDHOO

DISCIPLINE: ARCHITECTURAL

DRAWN BY: ISMAIL

DESIGNED BY: CEC

CHECKED BY: CEC

DATE: Mar 22 SCALE: 1:150 SHEET SIZE: A3

DRAWING NO. REV. 0.00

A-1.05

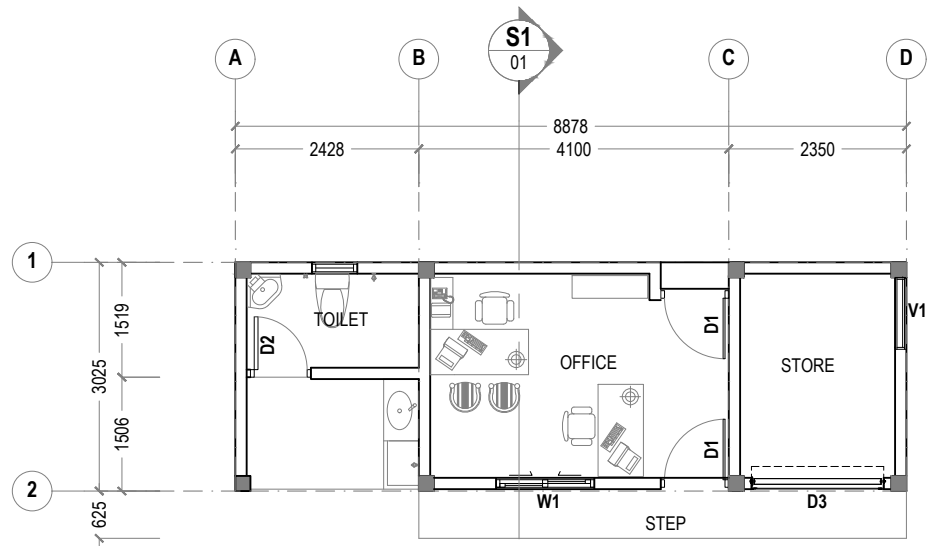


1 WMC SITE PLUMBING LAYOUT
REF. XX-00 SCALE : 1:150 (A3)

GENERAL NOTES:

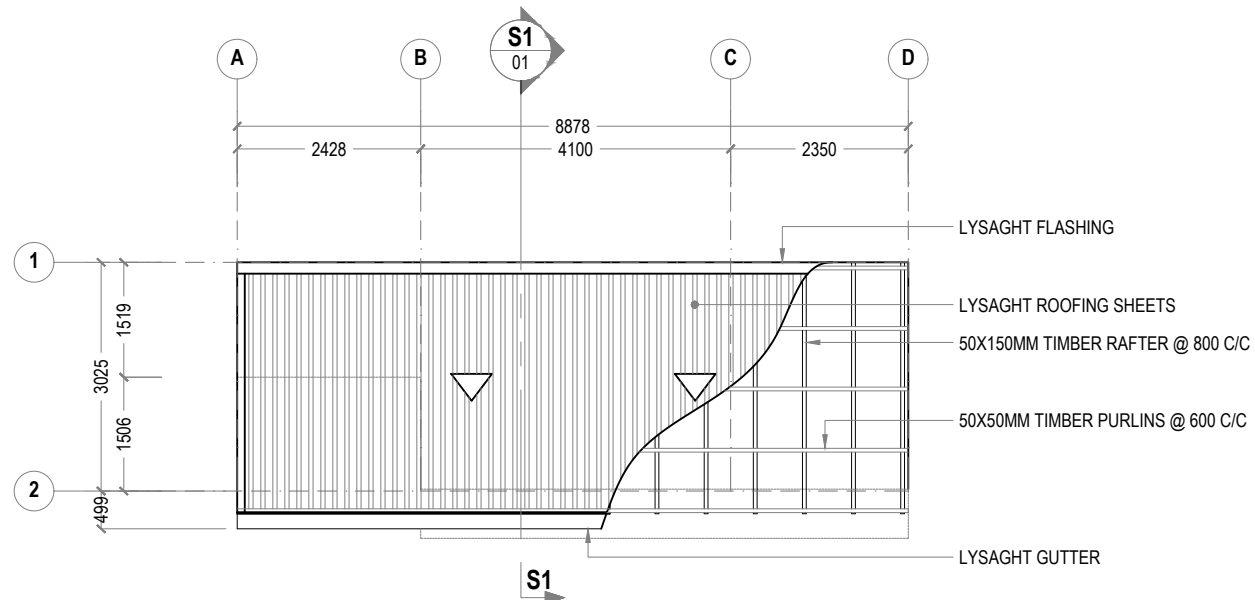
- All dimensions shall be verified on site before proceeding with work.
- In case of any confusion in the structural elements, the measurements given in the structural drawings has to be followed.
- DO NOT SCALE DRAWINGS. Work to figured dimensions.
- All the dimensions given in mm, unless specified otherwise.

KEY PLAN:

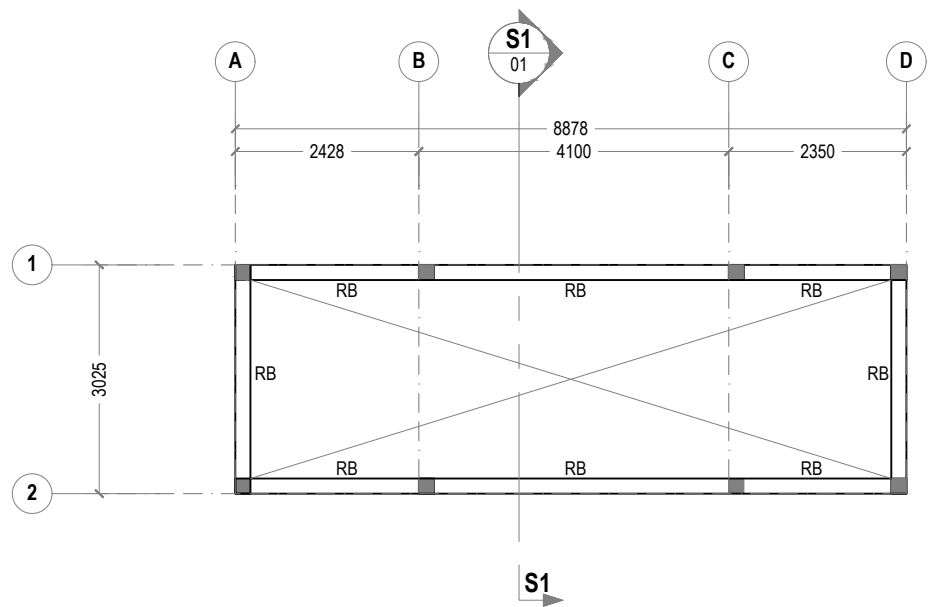


1 FLOOR PLAN
REF. OFFICE BUILDING SCALE : 1:100 (A3)

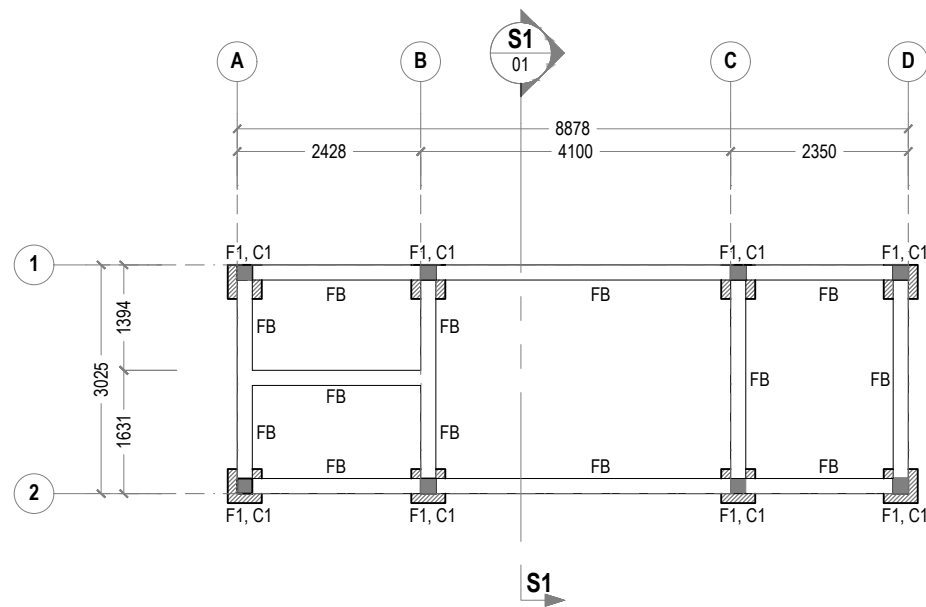
150MM THK FULL HEIGHT MASONRY WALL. PAINTED ON SMOOTHENED PLASTERED SURFACE FINISH.



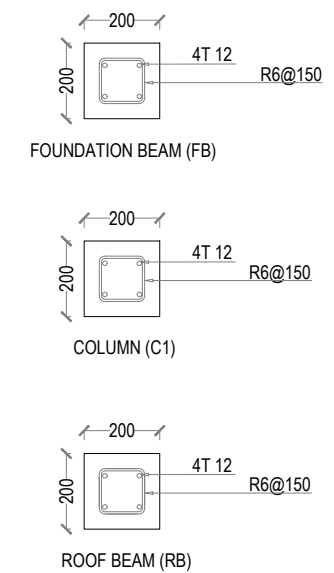
2 ROOFING DETAILS
REF. OFFICE BUILDING SCALE : 1:100 (A3)



3 ROOF BEAM PLAN
REF. OFFICE BUILDING SCALE : 1:100 (A3)



4 FOUNDATION PLAN
REF. OFFICE BUILDING SCALE : 1:100 (A3)



#	SIZE	REINFORCEMENT
F1	450X450X300	T10 @ 150 c/c BW (bottom only)

FOUNDATION DEPTH 0.6M

MINIMUM 50MM COVER BELOW GROUND LEVEL
MINIMUM 30MM COVER ABOVE GROUND LEVEL
ALL BAR BENDING & OVERLAPS AS PER ACTUAL BS STANDARD.

1 STRUCTURAL DETAILS
REF. OFFICE BUILDING SCALE : 1:20 (A3)

REV.	DESCRIPTION	DATE



Charter Engineering Company Private Limited
Second floor, M. Binnee, Male', Maldives
Email: charter engr@gmail.com, Mob: +(960) 782-9969

PHASE:

- CONCEPTUAL DESIGN
- DESIGN DEVELOPMENT
- DESIGN APPROVAL
- CONSTRUCTION DOCUMENTATION
- AS-BUILT DRAWINGS

PROJECT:
CONSULTANCY SERVICES FOR THE ARCHITECTURAL DRAWINGS AND BILL OF QUANTITIES FOR THE PROPOSED 14 ISLANDS WMC

CLIENT: MINISTRY OF ENVIRONMENT

LOCATION: SH.NARUDHOO

DISCIPLINE: ARCHITECTURAL

DRAWN BY: ISMAIL

DESIGNED BY: CEC

CHECKED BY: CEC

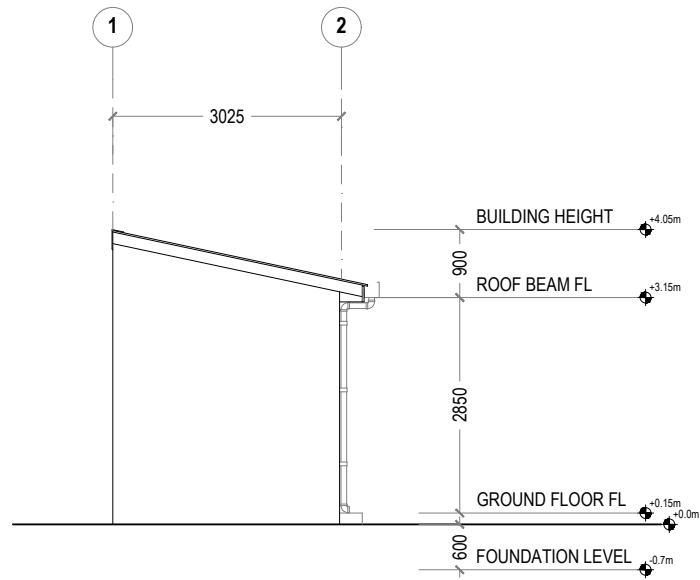
DATE: Mar 22 **SCALE:** 1:100 **SHEET SIZE:** A3

DRAWING NO. **REV.**

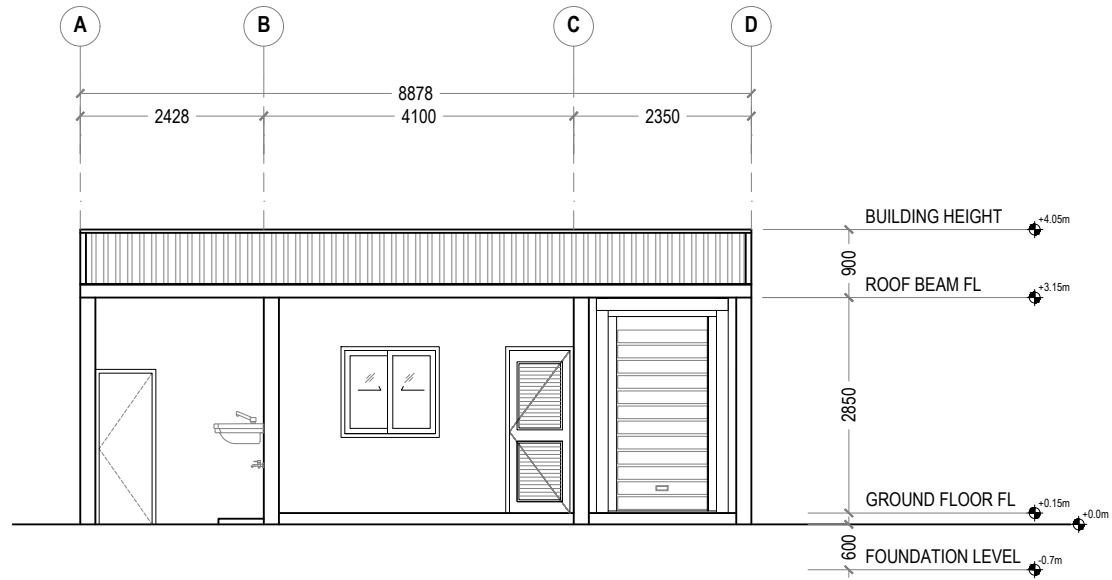
A-1.06

0.00

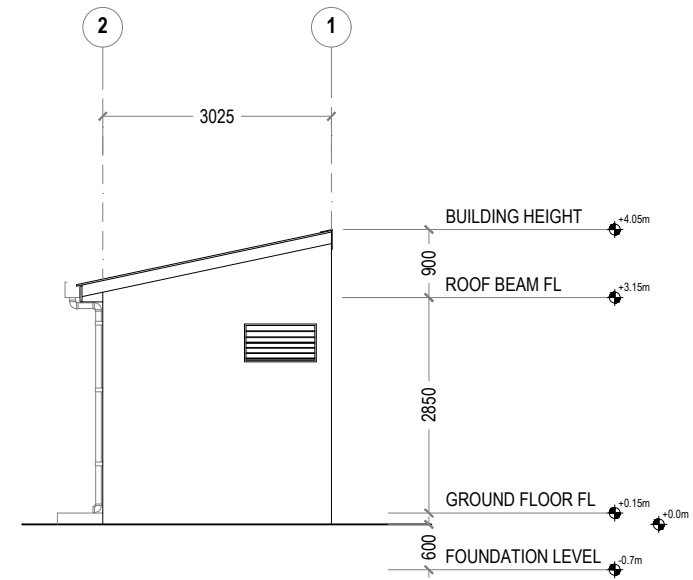




2 ELEVATION VIEW
REF. OFFICE BUILDING SCALE : 1:100 (A3)



1 FRONT VIEW
REF. OFFICE BUILDING SCALE : 1:100 (A3)

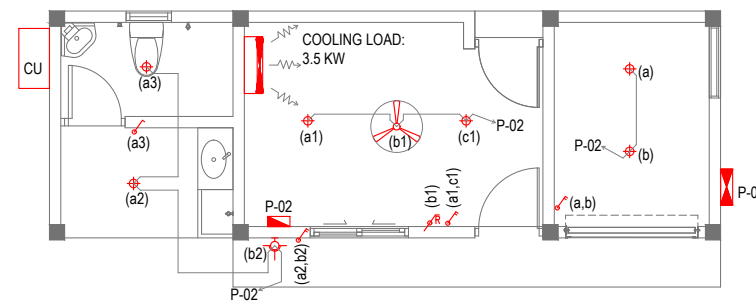


3 ELEVATION VIEW
REF. OFFICE BUILDING SCALE : 1:100 (A3)

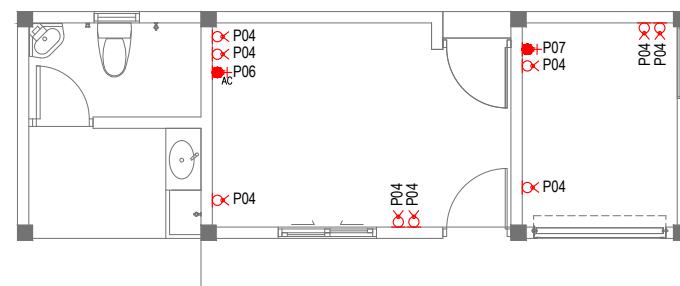
ELECTRICAL LEGEND

SYMBOLS	LABEL	DESCRIPTION
	L-01	DIA 1200MM CEILING FAN
	L-02	1X 23W (DAY LIGHT) LED LIGHT IN RECESSED LUMINAIRE
	L-03	1X26W LED LIGHT IN SURFACE MOUNT WEATHER PROOF LUMINAIRE
	P-01	SUB MAIN DISTRIBUTION BOARD
	P-02	DISTRIBUTION BOARD
	S-01	FAN/LIGHT DIMMER REGULATOR
	S-02	1 GANG 1 WAY SWITCH, 1200mm FFL
	S-03	2 GANG 1 WAY SWITCH, 1200mm FFL
	L-04	AIR-CONDITIONING INDOOR UNIT WALL MOUNTED
	L-05	AIR-CONDITIONER OUTDOOR UNIT WALL MOUNTED

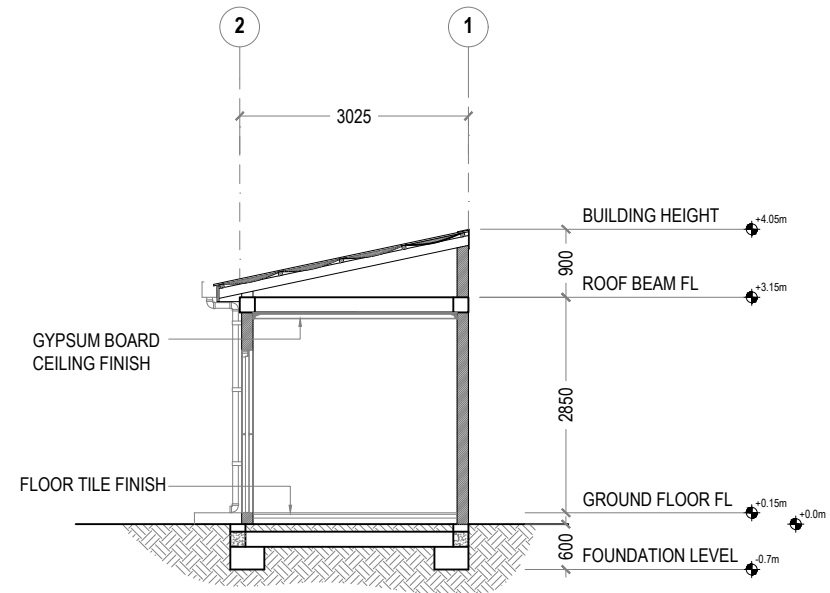
SYMBOLS	LABEL	DESCRIPTION
	P-04	13A SWITCHED TWIN SOCKET, 300mm FFL
	P-06	15A SWITCHED SOCKET, 2400mm FFL
	P-07	3 PHASE, 15A SWITCHED SOCKET, 1200mm FFL
WP	WATER PROOF	
AC	AIR-CONDITIONER	



5 LIGHTING PLAN
REF. OFFICE BUILDING SCALE : 1:100 (A3)



6 POWER PLAN
REF. OFFICE BUILDING SCALE : 1:100 (A3)



4 SECTIONAL VIEW
REF. OFFICE BUILDING SCALE : 1:100 (A3)

GENERAL NOTES:

- All dimensions shall be verified on site before proceeding with work.
- In case of any confusion in the structural elements, the measurements given in the structural drawings has to be followed.
- DO NOT SCALE DRAWINGS. Work to figured dimensions.
- All the dimensions given in mm, unless specified otherwise.

KEY PLAN:

REV.	DESCRIPTION	DATE



Charter Engineering Company Private Limited
Second floor, M.Biminee, Male', Maldives
Email: charter engr@gmail.com, Mob: +(960) 782-9969

PHASE:

<input type="checkbox"/>	CONCEPTUAL DESIGN
<input type="checkbox"/>	DESIGN DEVELOPMENT
<input checked="" type="checkbox"/>	DESIGN APPROVAL
<input type="checkbox"/>	CONSTRUCTION DOCUMENTATION
<input type="checkbox"/>	AS-BUILT DRAWINGS

PROJECT:
CONSULTANCY SERVICES FOR THE ARCHITECTURAL DRAWINGS AND BILL OF QUANTITIES FOR THE PROPOSED 14 ISLANDS WMC

CLIENT: MINISTRY OF ENVIRONMENT

LOCATION: SH.NARUDHOO

DISCIPLINE: ARCHITECTURAL

DRAWN BY: ISMAIL

DESIGNED BY: CEC

CHECKED BY: CEC

DATE: Mar 22 SCALE: 1:100 SHEET SIZE: A3

DRAWING NO. REV.

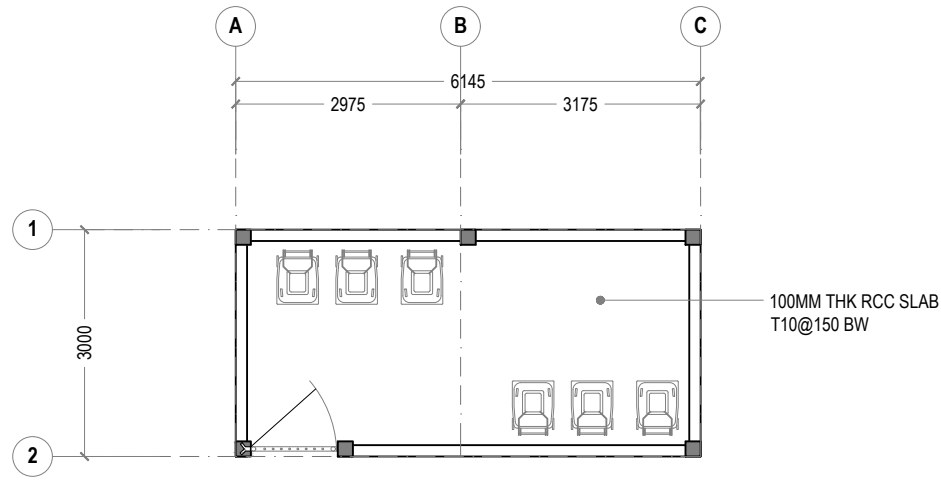
A-1.07 0.00



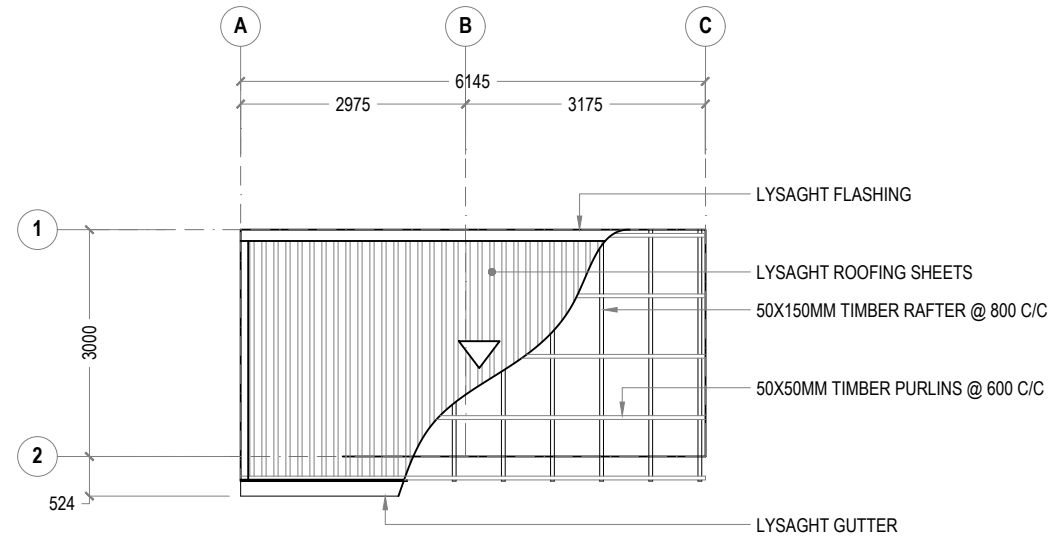
GENERAL NOTES:

- All dimensions shall be verified on site before proceeding with work.
- In case of any confusion in the structural elements, the measurements given in the structural drawings has to be followed.
- DO NOT SCALE DRAWINGS. Work to figured dimensions.
- All the dimensions given in mm, unless specified otherwise.

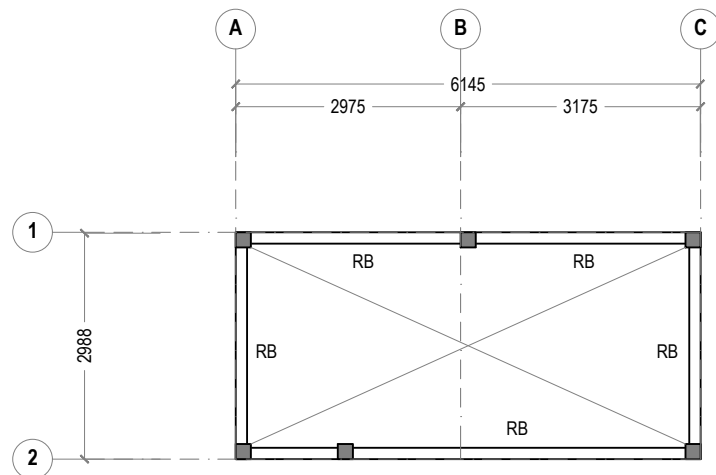
KEY PLAN:



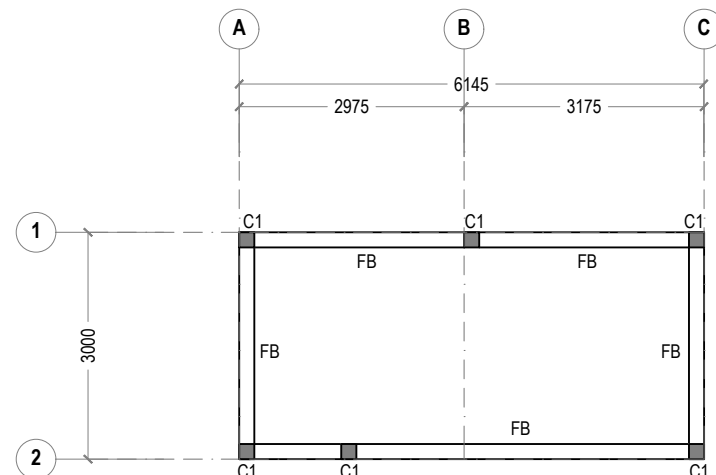
1 FLOOR PLAN
REF. HAZARDOUS BUILDING SCALE : 1:100 (A3)



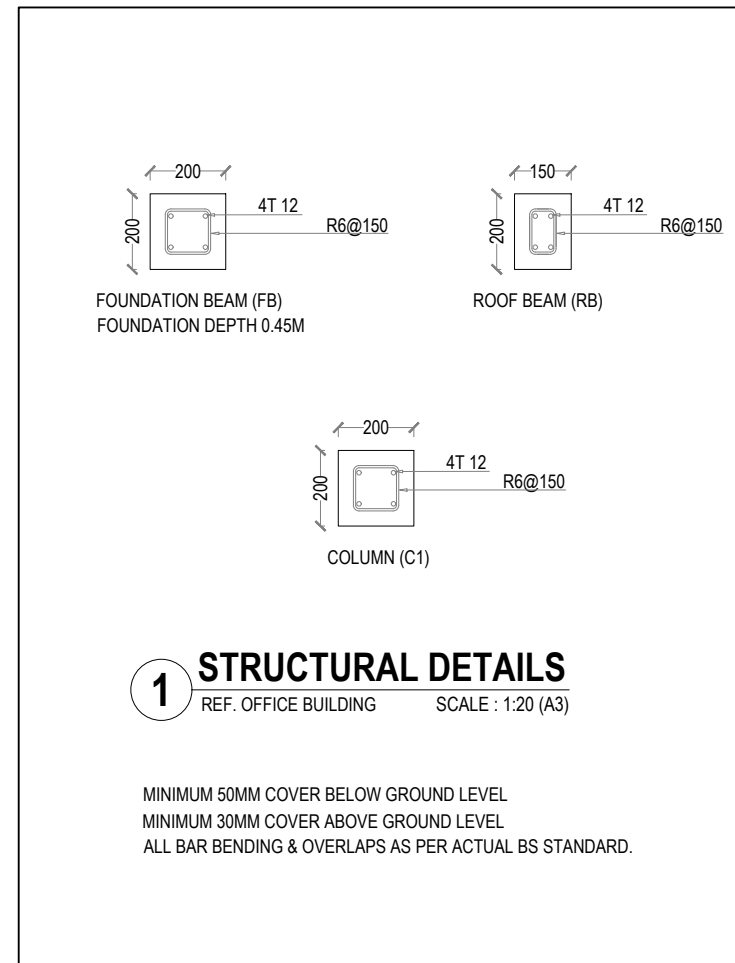
1 ROOF PLAN
REF. HAZARDOUS BUILDING SCALE : 1:100 (A3)



1 ROOF BEAM PLAN
REF. HAZARDOUS BUILDING SCALE : 1:100 (A3)



1 FOUNDATION PLAN
REF. HAZARDOUS BUILDING SCALE : 1:100 (A3)



1 STRUCTURAL DETAILS
REF. OFFICE BUILDING SCALE : 1:20 (A3)

REV.	DESCRIPTION	DATE



Charter Engineering Company Private Limited
Second floor, M. Birniee, Male', Maldives
Email: charter engr@gmail.com, Mob: +(960) 782-9969

PHASE:

- CONCEPTUAL DESIGN
- DESIGN DEVELOPMENT
- DESIGN APPROVAL
- CONSTRUCTION DOCUMENTATION
- AS-BUILT DRAWINGS

PROJECT:

CONSULTANCY SERVICES FOR THE ARCHITECTURAL DRAWINGS AND BILL OF QUANTITIES FOR THE PROPOSED 14 ISLANDS WMC

CLIENT: MINISTRY OF ENVIRONMENT

LOCATION: SH.NARUDHOO

DISCIPLINE: ARCHITECTURAL

DRAWN BY: ISMAIL

DESIGNED BY: CEC

CHECKED BY: CEC

DATE: Mar 22 SCALE: 1:100 SHEET SIZE: A3

DRAWING NO.

REV.

A-1.08

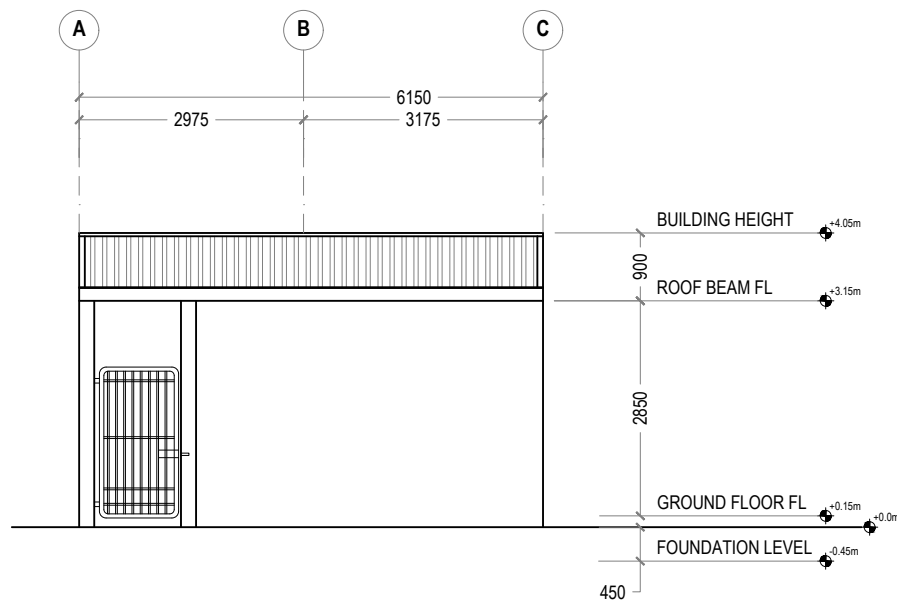
0.00



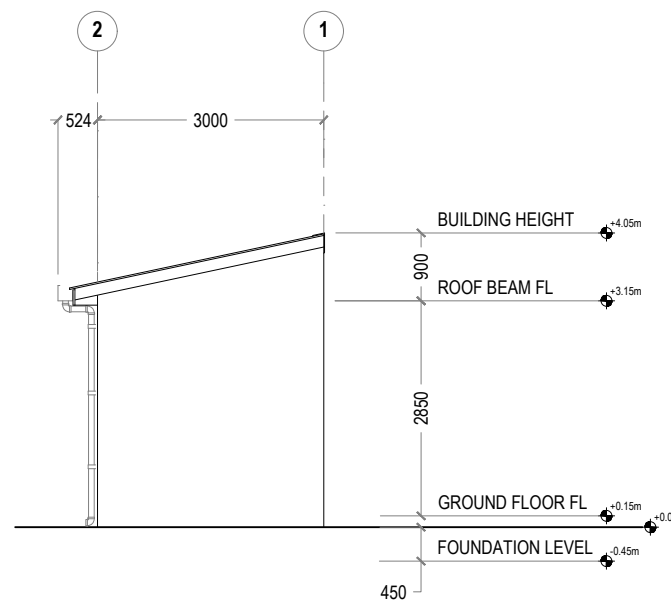
GENERAL NOTES:

- All dimensions shall be verified on site before proceeding with work.
- In case of any confusion in the structural elements, the measurements given in the structural drawings has to be followed.
- DO NOT SCALE DRAWINGS. Work to figured dimensions.
- All the dimensions given in mm, unless specified otherwise.

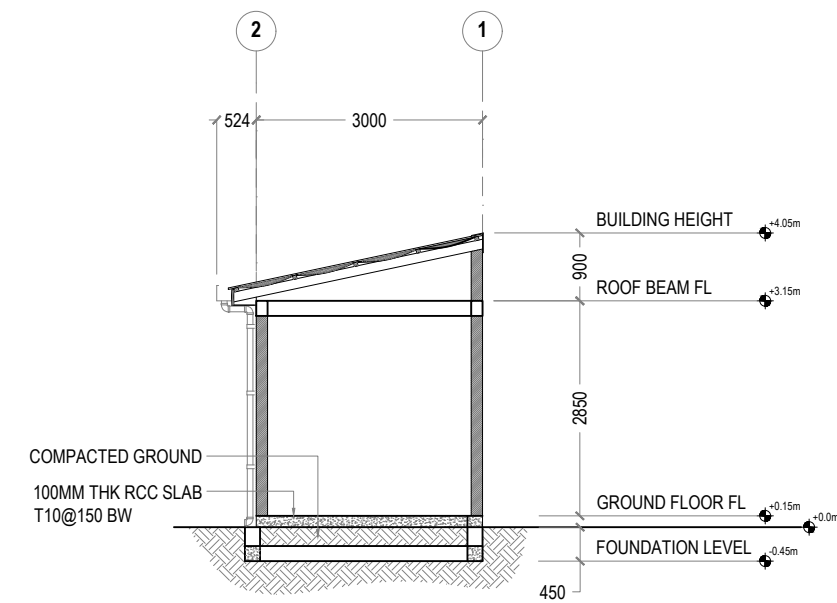
KEY PLAN:



1 FRONT ELEVATION
REF. HAZARDOUS BUILDING SCALE : 1:100 (A3)



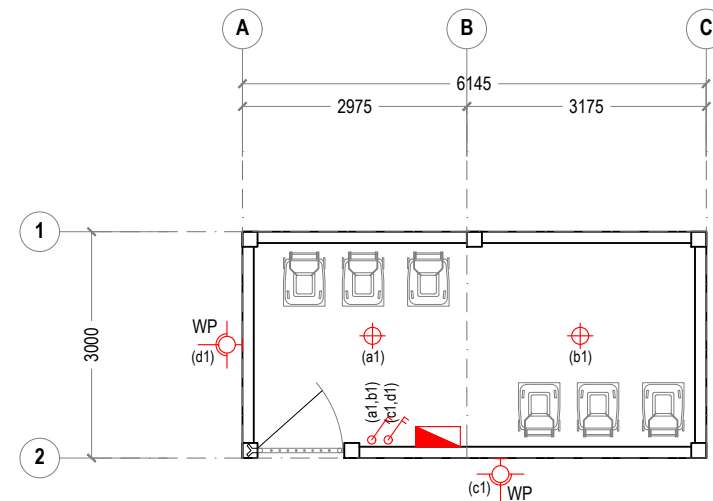
2 SIDE ELEVATION
REF. HAZARDOUS BUILDING SCALE : 1:100 (A3)



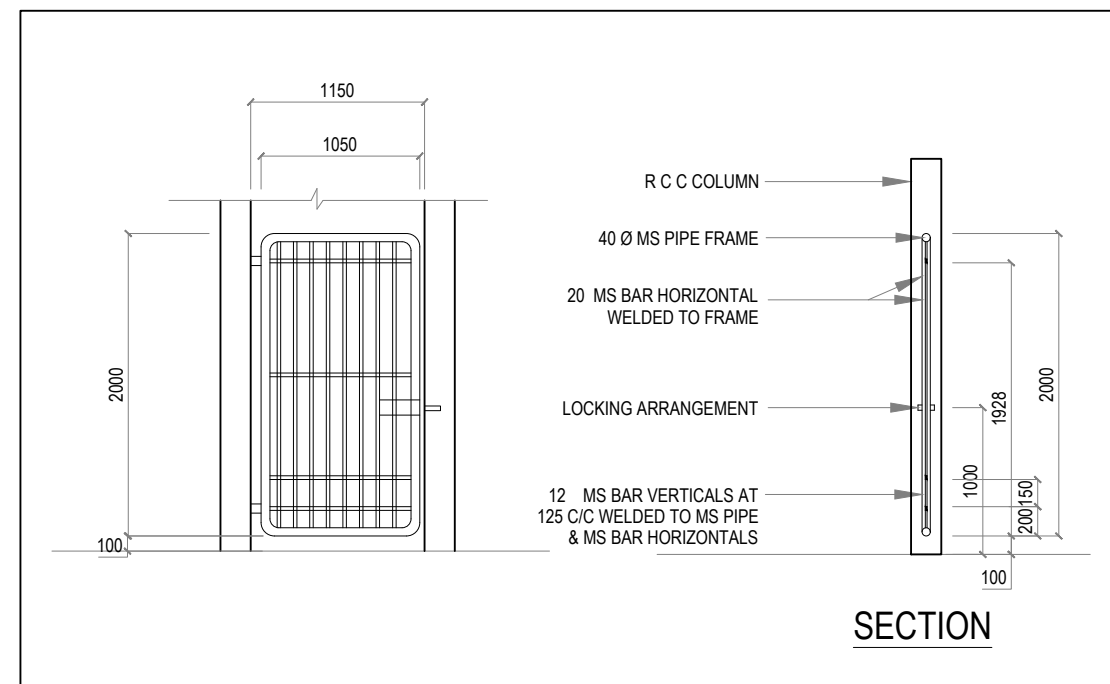
3 SECTIONAL VIEW
REF. HAZARDOUS BUILDING SCALE : 1:100 (A3)

ELECTRICAL LEGEND

SYMBOLS	LABEL	DESCRIPTION
	P-02	DISTRIBUTION BOARD
	L-02	1X 23W (DAY LIGHT) LED LIGHT IN RECESSED LUMINAIRE
	L-03	1X 26W LED LIGHT IN SURFACE MOUNT WEATHER PROOF LUMINAIRE
	S-03	2 GANG 1 WAY SWITCH, 1200mm FFL
WP	WATER PROOF	



4 LIGHTING PLAN
REF. HAZARDOUS BUILDING SCALE : 1:100 (A3)



5 GATE DETAILS
REF. HAZARDOUS BUILDING SCALE : 1:100 (A3)

REV.	DESCRIPTION	DATE



- PHASE:
- CONCEPTUAL DESIGN
 - DESIGN DEVELOPMENT
 - DESIGN APPROVAL
 - CONSTRUCTION DOCUMENTATION
 - AS-BUILT DRAWINGS

PROJECT:
CONSULTANCY SERVICES FOR THE ARCHITECTURAL DRAWINGS AND BILL OF QUANTITIES FOR THE PROPOSED 14 ISLANDS WMC

CLIENT: **MINISTRY OF ENVIRONMENT**

LOCATION: **SH.NARUDHOO**

DISCIPLINE: **ARCHITECTURAL**

DRAWN BY: **ISMAIL**

DESIGNED BY: **CEC**

CHECKED BY: **CEC**

DATE: **Mar 22** SCALE: **1:100** SHEET SIZE: **A3**

DRAWING NO. **A-1.09** REV. **0.00**



GENERAL NOTES:

- All dimensions shall be verified on site before proceeding with work.
- In case of any confusion in the structural elements, the measurements given in the structural drawings has to be followed.
- DO NOT SCALE DRAWINGS. Work to figured dimensions.
- All the dimensions given in mm, unless specified otherwise.

KEY PLAN:

SYMBOL	ELEVATION	D1	D2	D3	W1	V1
		VENTILATION AREA 1.92 sq.m	VENTILATION AREA 1.40 sq.m	VENTILATION AREA 4.08 sq.m	VENTILATION AREA 0.62 sq.m	VENTILATION AREA 0.42 sq.m
REQUIRED	QUANTITY	01	01	01	01	01
	LOCATION	GF	GF	GF	GF	GF
JAMBS	MATERIAL	TREATED TIMBER	TREATED TIMBER	METAL GUIDE RAIL	WHITE POWDER COATED ALUMINIUM	WHITE POWDER COATED ALUMINIUM
	FINISH	PLAIN PAINTED SEMI GLOSS FINISH	PLAIN PAINTED SEMI GLOSS FINISH	TYPICAL	WHITE POWDER COATED ALUMINIUM	WHITE POWDER COATED ALUMINIUM
PANEL	MATERIAL	SOLID TREATED TIMBER	SOLID TREATED TIMBER	ALUMINIUM SLAT	6mm THICK HEAT REFLECTING GLASS	FIXED ALUMINIUM LOUVERS
	FINISH	PLAIN PAINTED SEMI GLOSS FINISH	PLAIN PAINTED SEMI GLOSS FINISH	WHITE POWDER COATED ALUMINIUM	6mm THICK HEAT REFLECTING GLASS	WHITE POWDER COATED ALUMINIUM
CASING	MATERIAL	DECORATIVE TREATED TIMBER	DECORATIVE TREATED TIMBER	-	-	-
	FINISH	PLAIN PAINTED SEMI GLOSS FINISH	PLAIN PAINTED SEMI GLOSS FINISH	-	-	-
HINGES	MATERIAL	STAINLESS STEEL	STAINLESS STEEL	METAL OCTAGONAL CUBE	STAINLESS STEEL	STAINLESS STEEL
HANDLE SET & LOCK		TYPICAL HANDLE SET WITH LATCH UNIT	TYPICAL HANDLE SET WITH LATCH UNIT	TYPICAL BASE / SIDE LOCK SET	TYPICAL HANDLE SET WITH LATCH UNIT	-
CLOSER		DOOR CLOSER REQUIRED	-	-	-	-
STOPPER /HOLDER		TYPICAL FLOOR MOUNT	TYPICAL FLOOR MOUNT	TYPICAL FLOOR MOUNT	-	-
NOTES		-	-	ROLLER SHUTTER DOOR	-	-

REV.	DESCRIPTION	DATE



Charter Engineering Company Private Limited
Second floor, M.Biminee, Male', Maldives
Email: charter.enrg@gmail.com, Mob: +(960) 782-9969

PHASE:

- CONCEPTUAL DESIGN
- DESIGN DEVELOPMENT
- DESIGN APPROVAL
- CONSTRUCTION DOCUMENTATION
- AS-BUILT DRAWINGS

PROJECT:

CONSULTANCY SERVICES FOR THE ARCHITECTURAL DRAWINGS AND BILL OF QUANTITIES FOR THE PROPOSED 14 ISLANDS WMC

CLIENT: MINISTRY OF ENVIRONMENT

LOCATION: SH.NARUDHOO

DISCIPLINE: ARCHITECTURAL

DRAWN BY: ISMAIL

DESIGNED BY: CEC

CHECKED BY: CEC

DATE: Mar 22 SCALE: 1:50 SHEET SIZE: A3

DRAWING NO. REV.

A-6.10

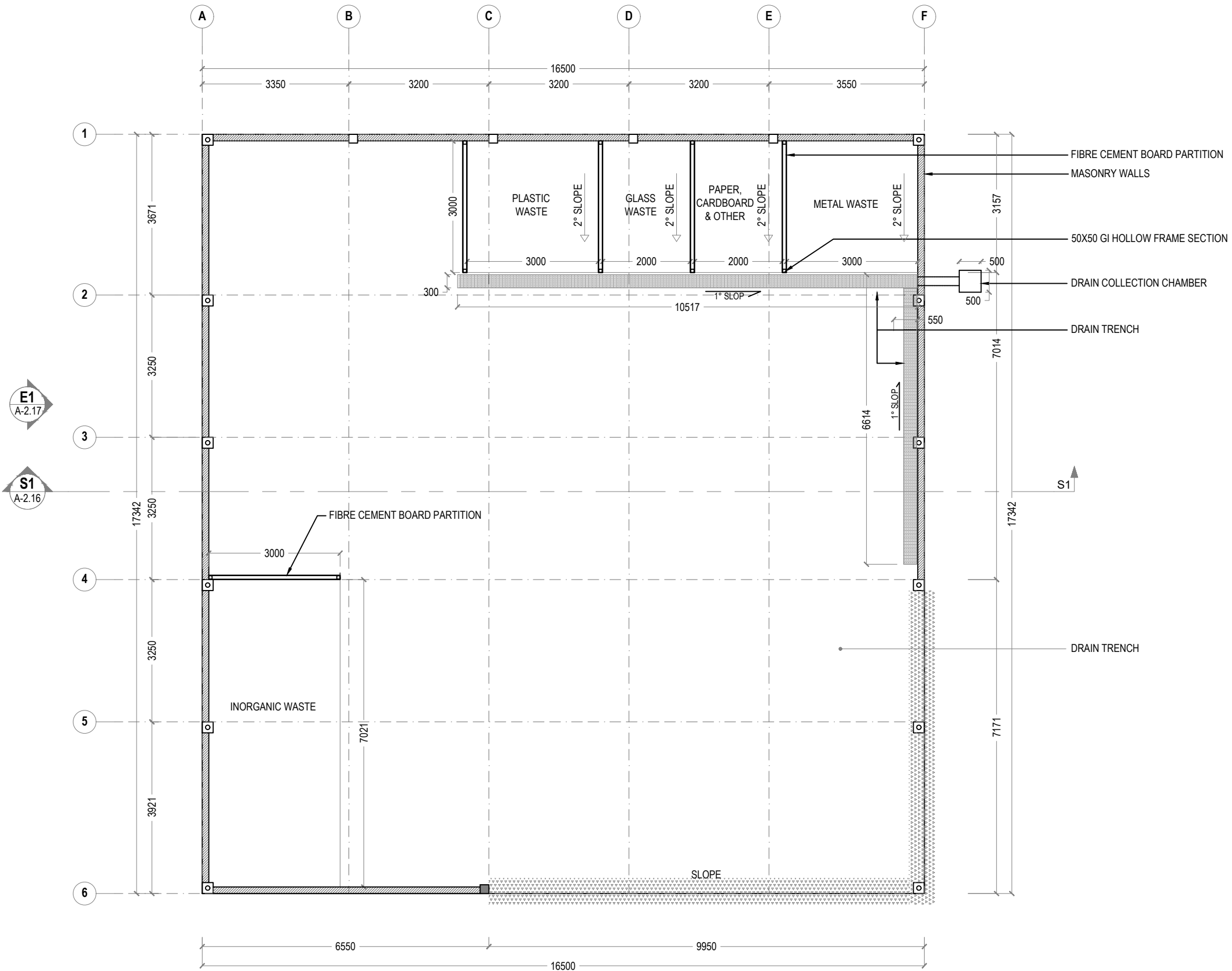
0.00



NOTE

- ALL MEASUREMENTS TO BE CHECKED ON SITE BEFORE FABRICATION
- ALL ALUMINIUM SHALL BE 60-80 MICRON POWER COATED METAL GRAY.
- PROVIDE RC LINTELS TO ALL UNITS NOT FIXED TO BEAMS AT TOP.
- SHOP DRAWINGS AND TECHNICAL SPECIFICATIONS FOR ALL ALUMINIUM DOORS AND WINDOWS SHOWING DETAILS OF SECTIONS, ASSEMBLY, TYPE OF LOCKS, HINGES, BOLTS AND HANDLES SHOULD BE SUBMITTED BY THE CONTRACTOR FOR THE APPROVAL.
- FOR DOORS SEE SWINGS INDICATED ON FLOOR PLANS.
- ALL EXTERNAL UNITS MUST COMPLY THE FOLLOWING;
 - WIND PRESSURE: 200 kg/sqm
 - WATER TIGHTNESS: 25kg/sqm

1 DOOR / WINDOW SCHEDULE -1
REF. OFFICE BUILDING SCALE : 1:50 (A3)



GENERAL NOTES:

- All dimensions shall be verified on site before proceeding with work.
- In case of any confusion in the structural elements, the measurements given in the structural drawings has to be followed.
- DO NOT SCALE DRAWINGS. Work to figured dimensions.
- All the dimensions given in mm, unless specified otherwise.

KEY PLAN:

REV.	DESCRIPTION	DATE

Charter
ENGINEERING COMPANY
Charter Engineering Company Private Limited
Second floor, M. Birniee, Male', Maldives
Email: charter.enr@gmail.com, Mob: +(960) 782-9969

- PHASE:
- CONCEPTUAL DESIGN
 - DESIGN DEVELOPMENT
 - DESIGN APPROVAL
 - CONSTRUCTION DOCUMENTATION
 - AS-BUILT DRAWINGS

PROJECT:
CONSULTANCY SERVICES FOR THE ARCHITECTURAL DRAWINGS AND BILL OF QUANTITIES FOR THE PROPOSED 14 ISLANDS WMC

CLIENT: — MINISTRY OF ENVIRONMENT
LOCATION: SH.NARUDHOO

DISCIPLINE: ARCHITECTURAL

DRAWN BY: ISMAIL
DESIGNED BY: CEC

CHECKED BY: CEC

DATE: Mar 22
SCALE: 1:100
SHEET SIZE: A3

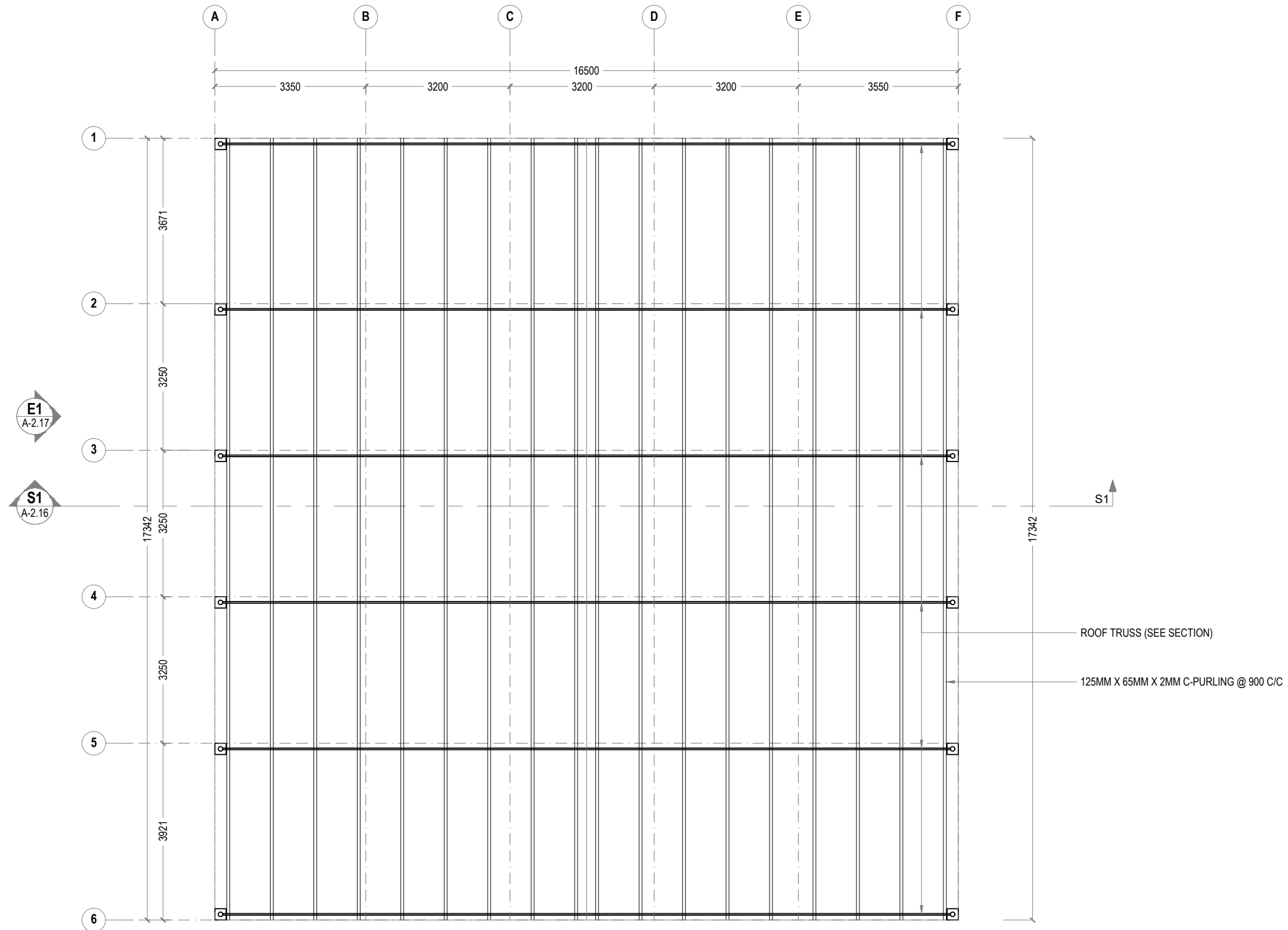
DRAWING NO. REV.

A-1.11 0.00

1 WAREHOUSE FLOOR PLAN
REF. XX-00 SCALE : 1:100 (A3)

- NOTE**
- MASONRY WALLS UP TO ROOF BEAM LEVEL
 - 100mm THK. 2500mm HEIGHT DRY PARTITION WALL PAINTED FINISH ON FIBRE CEMENT BOARDS FIXED AT 75x75 GI RECTANGULAR HOLLOW SECTION FRAMES





1 WAREHOUSE ROOF FRAMING
 REF. XX-00 SCALE : 1:100 (A3)

GENERAL NOTES:

- All dimensions shall be verified on site before proceeding with work.
- In case of any confusion in the structural elements, the measurements given in the structural drawings has to be followed.
- DO NOT SCALE DRAWINGS. Work to figured dimensions.
- All the dimensions given in mm, unless specified otherwise.

KEY PLAN:

REV.	DESCRIPTION	DATE



Charter Engineering Company Private Limited
 Second floor, M.Biminee, Male', Maldives
 Email: charter.enr@gmail.com, Mob: +(960) 782-9969

- PHASE:
- CONCEPTUAL DESIGN
 - DESIGN DEVELOPMENT
 - DESIGN APPROVAL
 - CONSTRUCTION DOCUMENTATION
 - AS-BUILT DRAWINGS

PROJECT:
CONSULTANCY SERVICES FOR THE ARCHITECTURAL DRAWINGS AND BILL OF QUANTITIES FOR THE PROPOSED 14 ISLANDS WMC

CLIENT: **MINISTRY OF ENVIRONMENT**

LOCATION: **SH.NARUDHOO**

DISCIPLINE: **ARCHITECTURAL**

DRAWN BY: **ISMAIL**

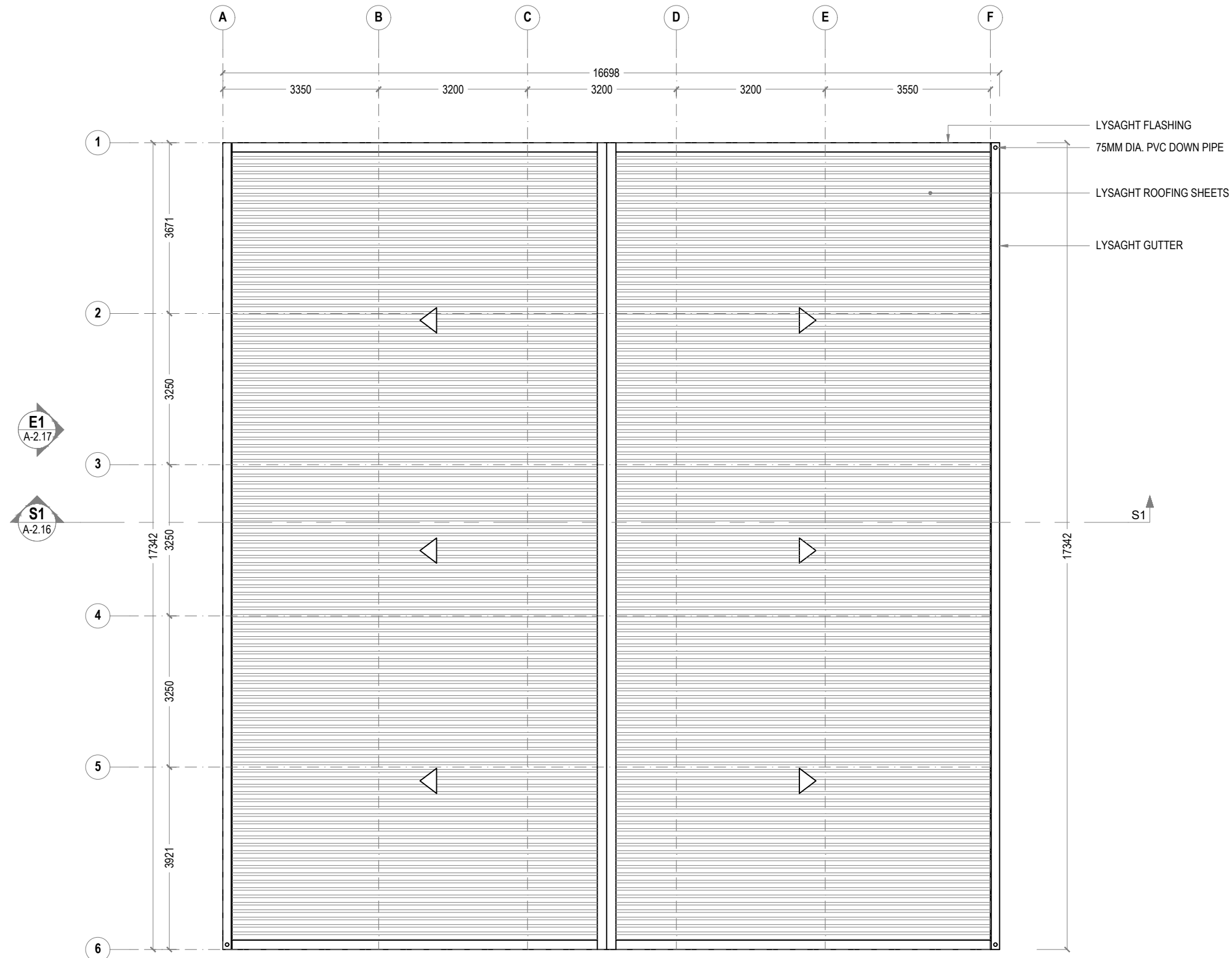
DESIGNED BY: **CEC**

CHECKED BY: **CEC**

DATE: **Mar 22** SCALE: **1:100** SHEET SIZE: **A3**

DRAWING NO. **A-1.12** REV. **0.00**





GENERAL NOTES:

- All dimensions shall be verified on site before proceeding with work.
- In case of any confusion in the structural elements, the measurements given in the structural drawings has to be followed.
- DO NOT SCALE DRAWINGS. Work to figured dimensions.
- All the dimensions given in mm, unless specified otherwise.

KEY PLAN:

REV.	DESCRIPTION	DATE



Charter Engineering Company Private Limited
 Second floor, M.Biminee, Male', Maldives
 Email: charter.enr@gmail.com, Mob: +(960) 782-9969

PHASE:

- CONCEPTUAL DESIGN
- DESIGN DEVELOPMENT
- DESIGN APPROVAL
- CONSTRUCTION DOCUMENTATION
- AS-BUILT DRAWINGS

PROJECT:

CONSULTANCY SERVICES FOR THE ARCHITECTURAL DRAWINGS AND BILL OF QUANTITIES FOR THE PROPOSED 14 ISLANDS WMC

CLIENT: MINISTRY OF ENVIRONMENT

LOCATION: SH.NARUDHOO

DISCIPLINE: ARCHITECTURAL

DRAWN BY: ISMAIL

DESIGNED BY: CEC

CHECKED BY: CEC

DATE: Mar 22 SCALE: 1:100 SHEET SIZE: A3

DRAWING NO. REV.

A-1.13

0.00

1 WAREHOUSE ROOF PLAN
 REF. XX-00 SCALE: 1:100 (A3)



GENERAL NOTES:

- All dimensions shall be verified on site before proceeding with work.
- In case of any confusion in the structural elements, the measurements given in the structural drawings has to be followed.
- DO NOT SCALE DRAWINGS. Work to figured dimensions.
- All the dimensions given in mm, unless specified otherwise.

KEY PLAN:

REV.	DESCRIPTION	DATE



Charter Engineering Company Private Limited
 Second floor, M. Birniee, Male', Maldives
 Email: charter_engr@gmail.com, Mob: +(960) 782-9969

PHASE:

- CONCEPTUAL DESIGN
- DESIGN DEVELOPMENT
- DESIGN APPROVAL
- CONSTRUCTION DOCUMENTATION
- AS-BUILT DRAWINGS

PROJECT:

CONSULTANCY SERVICES FOR THE ARCHITECTURAL DRAWINGS AND BILL OF QUANTITIES FOR THE PROPOSED 14 ISLANDS WMC

CLIENT: MINISTRY OF ENVIRONMENT

LOCATION: SH.NARUDHOO

DISCIPLINE: ARCHITECTURAL

DRAWN BY: ISMAIL

DESIGNED BY: CEC

CHECKED BY: CEC

DATE: Mar 22

SCALE: 1:100

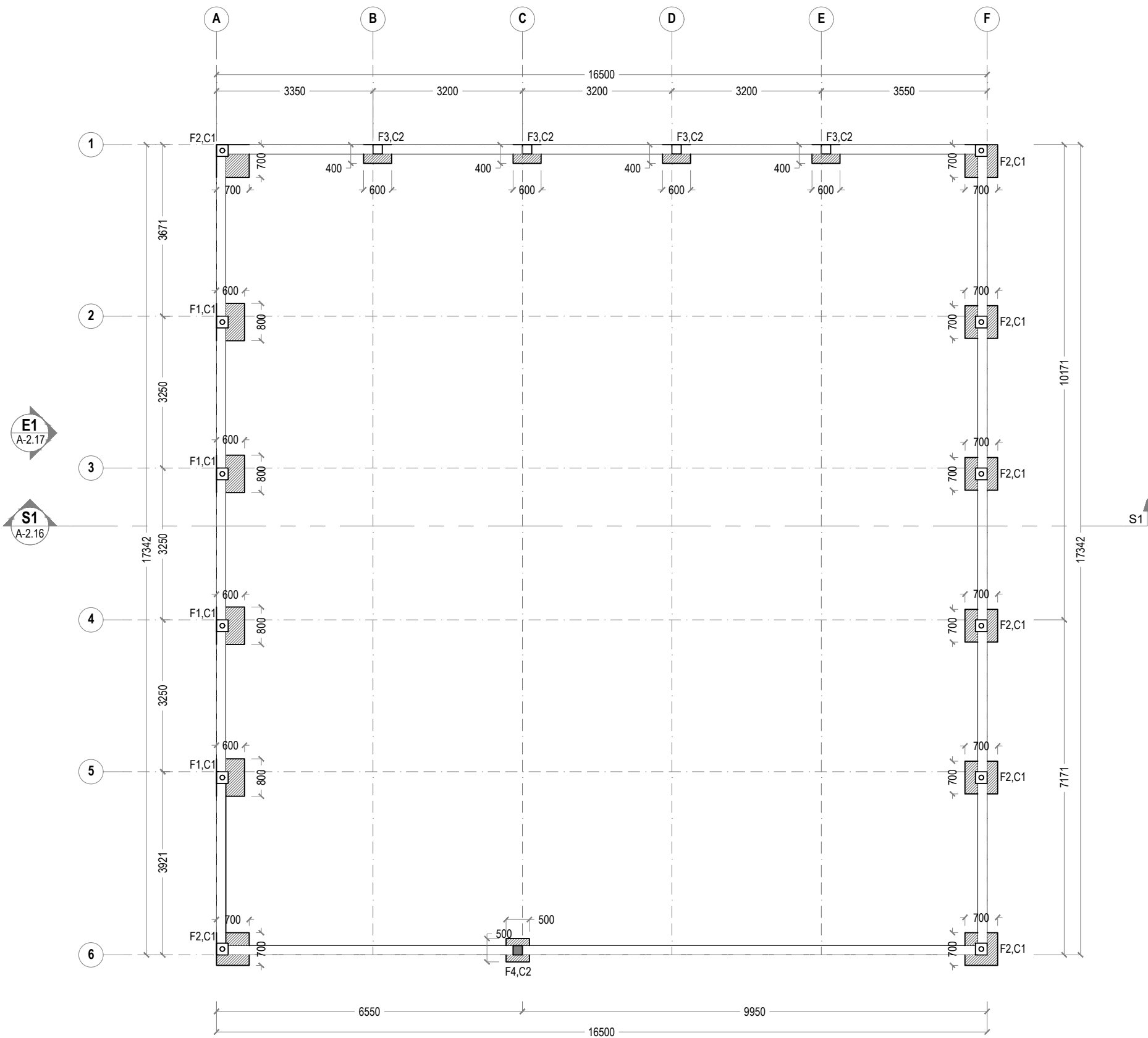
SHEET SIZE: A3

DRAWING NO.

REV.

A-1.14

0.00



1 FOUNDATION PLAN
 REF. XX-00 SCALE : 1:100 (A3)

FOUNDATION BEAM (FB)

ROOF BEAM (RB)

COLUMN (C1)

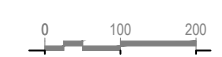
COLUMN (C2)

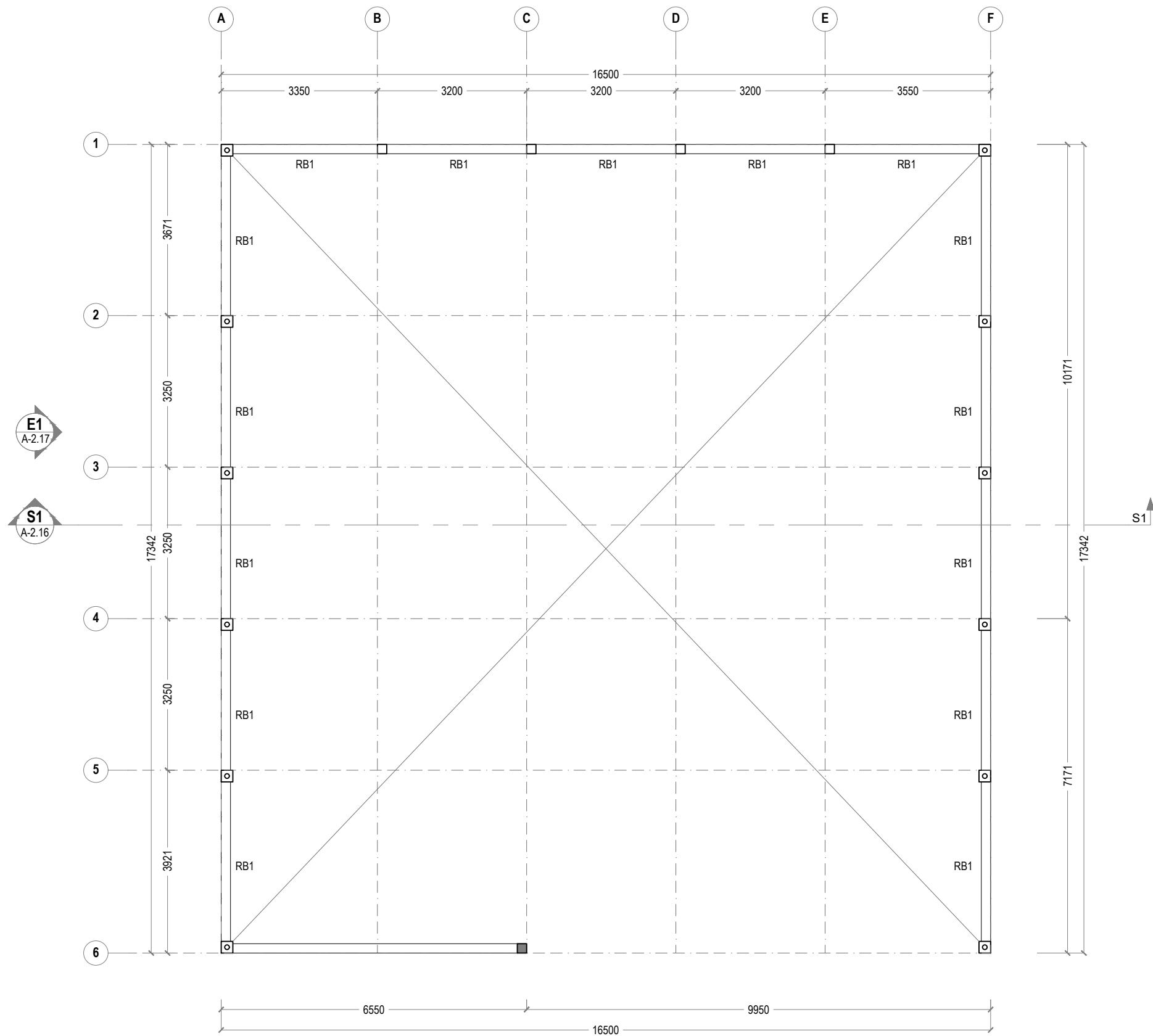
#	SIZE	REINFORCEMENT
F1	600X800X400	T10 @ 150 c/c BW (bottom only)
F2	700X700X400	T10 @ 150 c/c BW (bottom only)
F3	400X600X300	T10 @ 150 c/c BW (bottom only)
F4	500X500X300	T10 @ 150 c/c BW (bottom only)

FOUNDATION DEPTH 1.2M
 MINIMUM 50MM COVER BELOW GROUND LEVEL
 MINIMUM 30MM COVER ABOVE GROUND LEVEL
 ALL BAR BENDING & OVERLAPS AS PER ACTUAL BS STANDARD.

1 STRUCTURAL DETAILS
 REF. WAREHOUSE SCALE : 1:20 (A3)

- NOTE**
- 250 x 250MM RCC COLUMN (C1)
 - 200 X 200MM RCC COLUMN (C2)
 - 200 X 300 RCC BEAM (FB)





1 ROOF BEAM PLAN
REF. XX-00 SCALE : 1:100 (A3)

#	SIZE	REINFORCEMENT
F1	600X800X400	T10 @ 150 c/c BW (bottom only)
F2	700X700X400	T10 @ 150 c/c BW (bottom only)
F3	400X600X300	T10 @ 150 c/c BW (bottom only)
F4	500X500X300	T10 @ 150 c/c BW (bottom only)

FOUNDATION DEPTH 1.2M
MINIMUM 50MM COVER BELOW GROUND LEVEL
MINIMUM 30MM COVER ABOVE GROUND LEVEL
ALL BAR BENDING & OVERLAPS AS PER ACTUAL BS STANDARD.

1 STRUCTURAL DETAILS
REF. WAREHOUSE SCALE : 1:20 (A3)

- NOTE**
- 250 x 250MM RCC COLUMN (C1)
 - 200 X 200MM RCC COLUMN (C2)
 - 200 X 200 RCC BEAM (RB)



GENERAL NOTES:

- All dimensions shall be verified on site before proceeding with work.
- In case of any confusion in the structural elements, the measurements given in the structural drawings has to be followed.
- DO NOT SCALE DRAWINGS. Work to figured dimensions.
- All the dimensions given in mm, unless specified otherwise.

KEY PLAN:

REV.	DESCRIPTION	DATE



- PHASE:
- CONCEPTUAL DESIGN
 - DESIGN DEVELOPMENT
 - DESIGN APPROVAL
 - CONSTRUCTION DOCUMENTATION
 - AS-BUILT DRAWINGS

PROJECT:
CONSULTANCY SERVICES FOR THE ARCHITECTURAL DRAWINGS AND BILL OF QUANTITIES FOR THE PROPOSED 14 ISLANDS WMC

CLIENT: **MINISTRY OF ENVIRONMENT**
LOCATION: **SH.NARUDHOO**

DISCIPLINE: **ARCHITECTURAL**

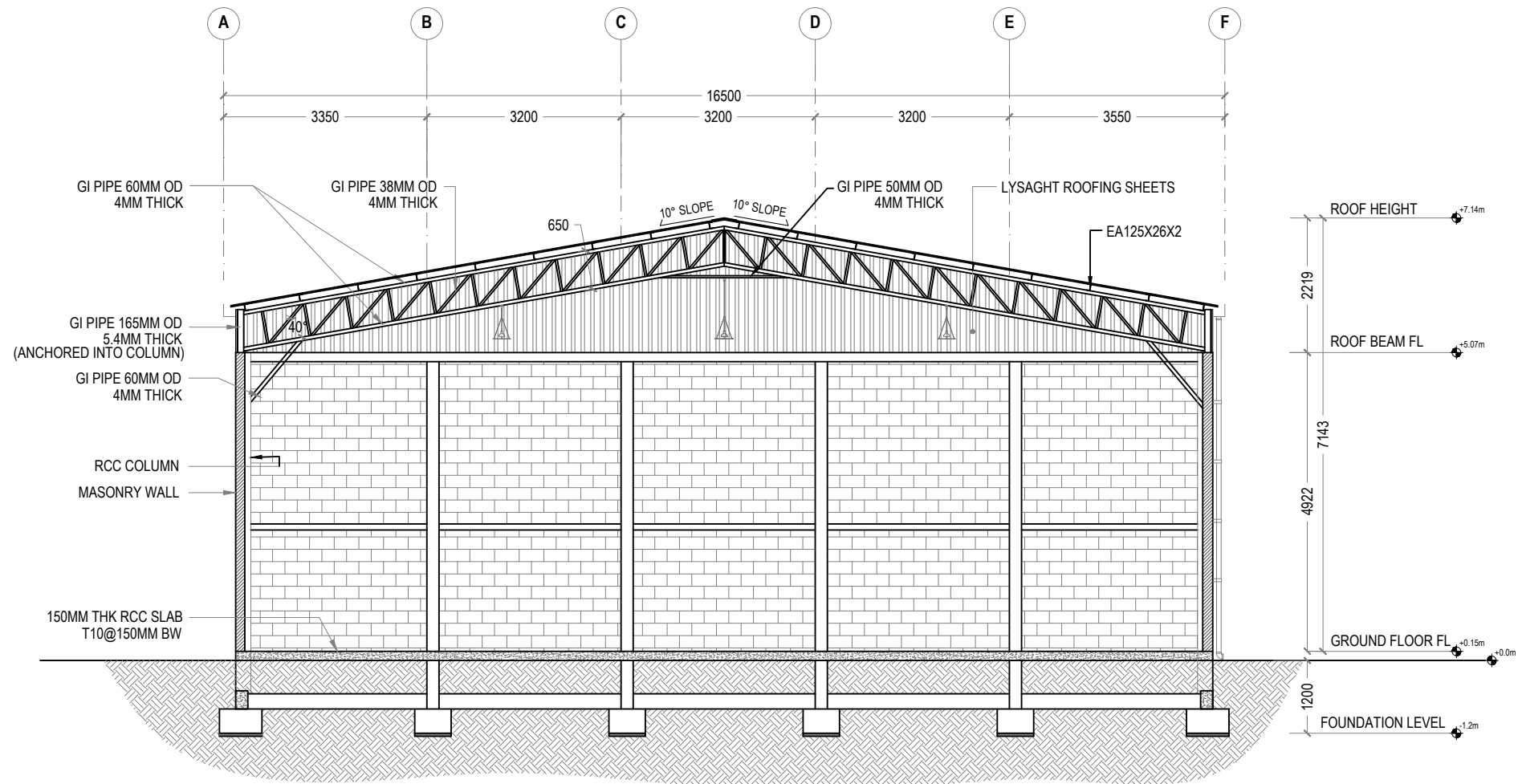
DRAWN BY: **ISMAL**

DESIGNED BY: **CEC**

CHECKED BY: **CEC**

DATE: **Mar 22** SCALE: **1:100** SHEET SIZE: **A3**

DRAWING NO. **A-1.15** REV. **0.00**



1 S1 | SECTIONAL VIEW OF WAREHOUSE
 REF. XX-00 SCALE : 1:100 (A3)

GENERAL NOTES:

- All dimensions shall be verified on site before proceeding with work.
- In case of any confusion in the structural elements, the measurements given in the structural drawings has to be followed.
- DO NOT SCALE DRAWINGS. Work to figured dimensions.
- All the dimensions given in mm, unless specified otherwise.

KEY PLAN:

REV.	DESCRIPTION	DATE

Charter
 ENGINEERING COMPANY
 Charter Engineering Company Private Limited
 Second floor, M. Binnee, Male', Maldives
 Email: charter.engr@gmail.com, Mob: +(960) 782-9969

- PHASE:
- CONCEPTUAL DESIGN
 - DESIGN DEVELOPMENT
 - DESIGN APPROVAL
 - CONSTRUCTION DOCUMENTATION
 - AS-BUILT DRAWINGS

PROJECT:
CONSULTANCY SERVICES FOR THE ARCHITECTURAL DRAWINGS AND BILL OF QUANTITIES FOR THE PROPOSED 14 ISLANDS WMC

CLIENT: — MINISTRY OF ENVIRONMENT
 LOCATION: SH.NARUDHOO

DISCIPLINE: ARCHITECTURAL

DRAWN BY: ISMAIL

DESIGNED BY: CEC

CHECKED BY: CEC

DATE: Mar 22 SCALE: 1:100 SHEET SIZE: A3

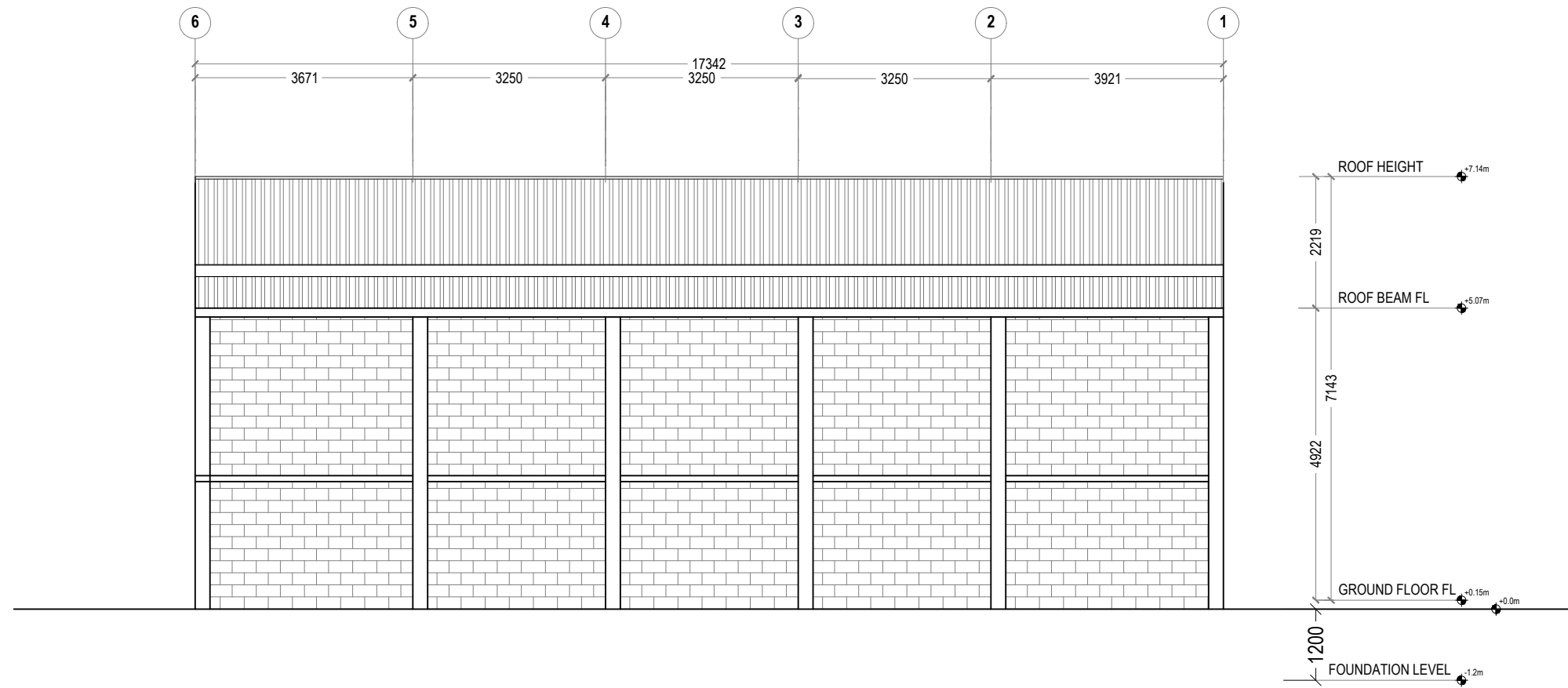
DRAWING NO.	REV.
A-2.16	0.00



GENERAL NOTES:

- All dimensions shall be verified on site before proceeding with work.
- In case of any confusion in the structural elements, the measurements given in the structural drawings has to be followed.
- DO NOT SCALE DRAWINGS. Work to figured dimensions.
- All the dimensions given in mm, unless specified otherwise.

KEY PLAN:



1 E1 | ELEVATION VIEW OF WAREHOUSE
REF. XX-00 SCALE : 1:100 (A3)

REV.	DESCRIPTION	DATE



Charter Engineering Company Private Limited
Second floor, M.Biminee, Male', Maldives
Email: charter.engr@gmail.com, Mob: +(960) 782-9969

- PHASE:
- CONCEPTUAL DESIGN
 - DESIGN DEVELOPMENT
 - DESIGN APPROVAL
 - CONSTRUCTION DOCUMENTATION
 - AS-BUILT DRAWINGS

PROJECT:
CONSULTANCY SERVICES FOR THE ARCHITECTURAL DRAWINGS AND BILL OF QUANTITIES FOR THE PROPOSED 14 ISLANDS WMC

CLIENT: **MINISTRY OF ENVIRONMENT**

LOCATION: **SH.NARUDHOO**

DISCIPLINE: **ARCHITECTURAL**

DRAWN BY: **ISMAIL**

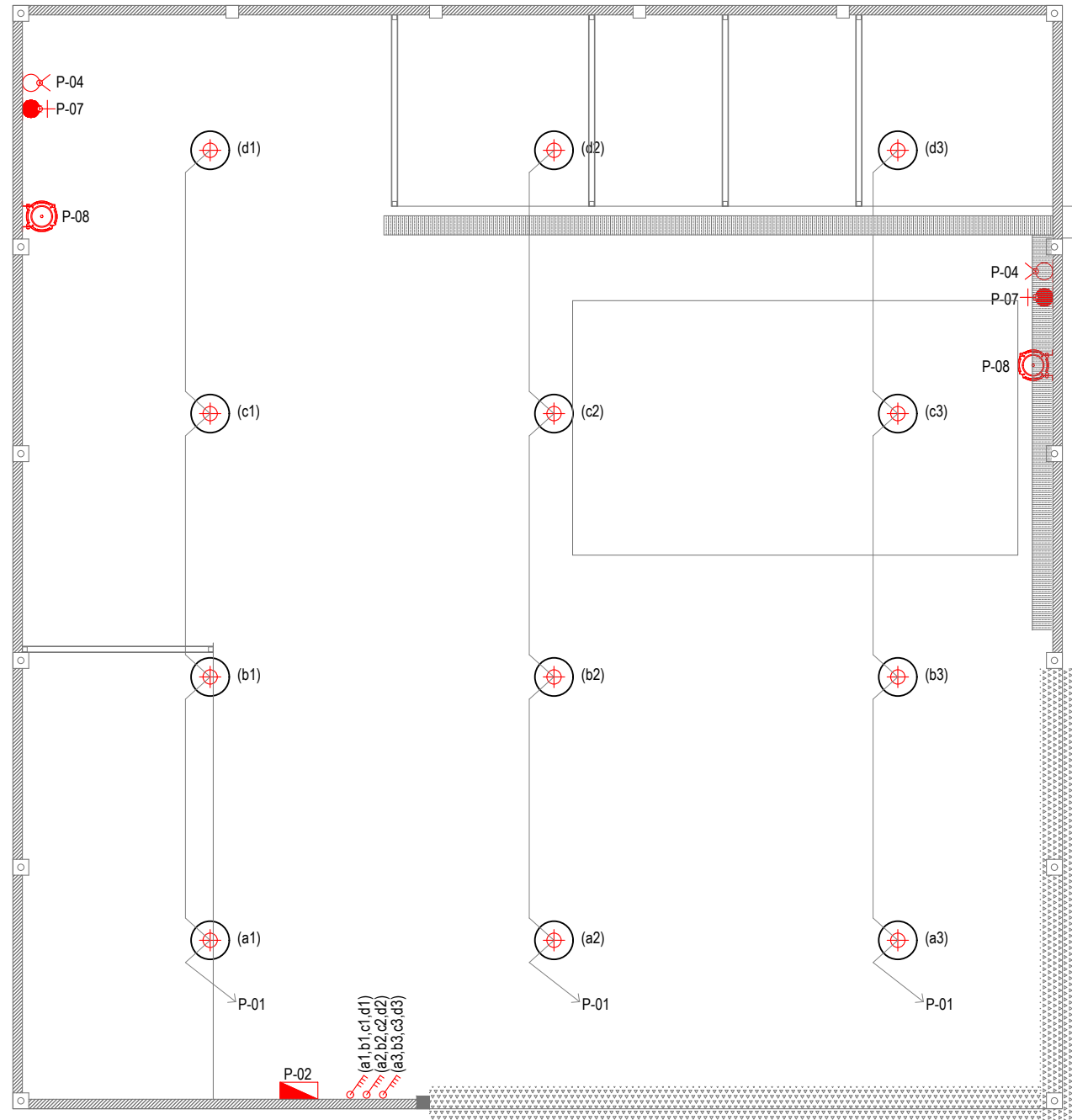
DESIGNED BY: **CEC**

CHECKED BY: **CEC**

DATE: **Mar 22** SCALE: **1:100** SHEET SIZE: **A3**

DRAWING NO. **A-2.17** REV. **0.00**





1 WAREHOUSE LIGHTING PLAN
REF. XX-00 SCALE : 1:100 (A3)

ELECTRICAL LEGEND

SYMBOLS	LABEL	DESCRIPTION
	L-04	1X100W LED HIGH BAY UFO LIGHT 15000 LUMENS 6000K COOL WHITE
	P-02	DISTRIBUTION BOARD
	S-04	4 GANG 1 WAY SWITCH, 1200mm FFL
	P-08	RETRACTABLE CEILING MOUNT EXTENSION CORD
	P-04	13A SWITCHED TWIN SOCKET, 1200mm FFL
	P-07	3 PHASE, 15A SWITCHED SOCKET, 1200mm FFL

GENERAL NOTES:

- All dimensions shall be verified on site before proceeding with work.
- In case of any confusion in the structural elements, the measurements given in the structural drawings has to be followed.
- DO NOT SCALE DRAWINGS. Work to figured dimensions.
- All the dimensions given in mm, unless specified otherwise.

KEY PLAN:

REV.	DESCRIPTION	DATE



Charter Engineering Company Private Limited
Second floor, M.Biminee, Male', Maldives
Email: charter.enr@gmail.com, Mob: +(960) 782-9969

PHASE:

- CONCEPTUAL DESIGN
- DESIGN DEVELOPMENT
- DESIGN APPROVAL
- CONSTRUCTION DOCUMENTATION
- AS-BUILT DRAWINGS

PROJECT:

CONSULTANCY SERVICES FOR THE ARCHITECTURAL DRAWINGS AND BILL OF QUANTITIES FOR THE PROPOSED 14 ISLANDS WMC

CLIENT: MINISTRY OF ENVIRONMENT

LOCATION: SH.NARUDHOO

DISCIPLINE: ARCHITECTURAL

DRAWN BY: ISMAIL

DESIGNED BY: CEC

CHECKED BY: CEC

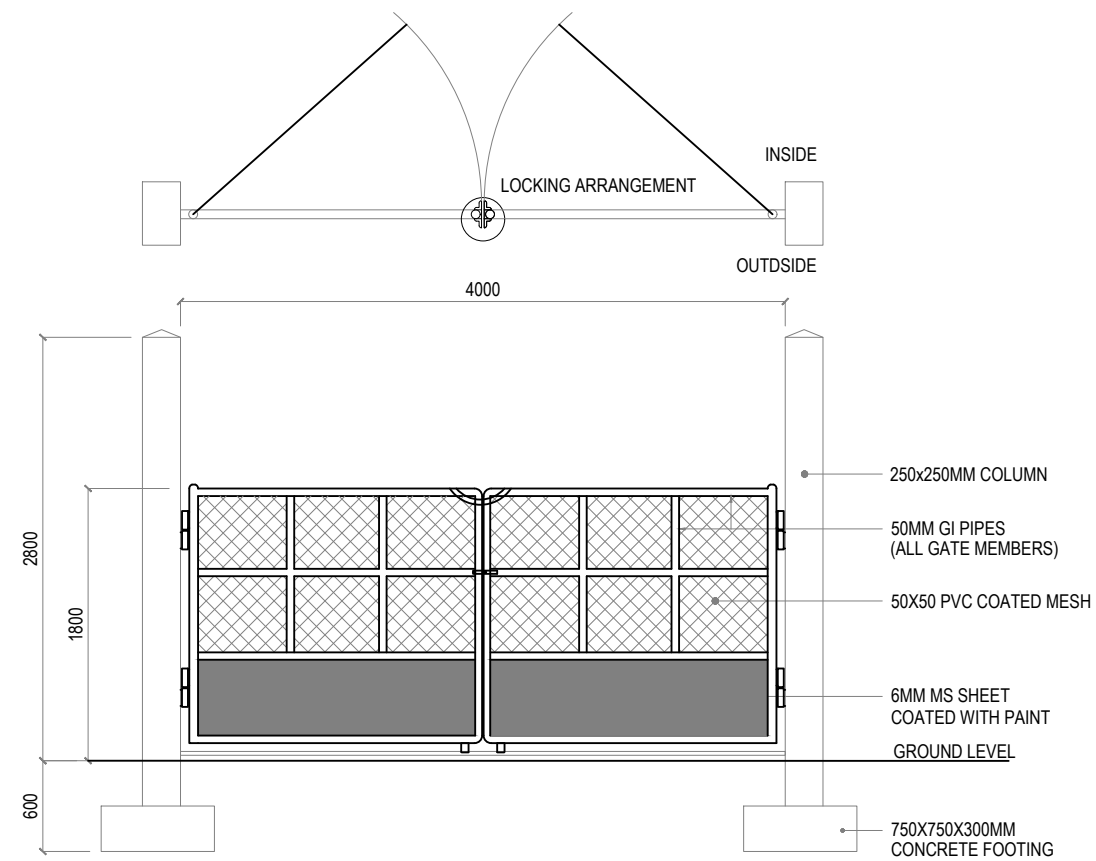
DATE: Mar 22 SCALE: 1:100 SHEET SIZE: A3

DRAWING NO. REV.

A-1.18

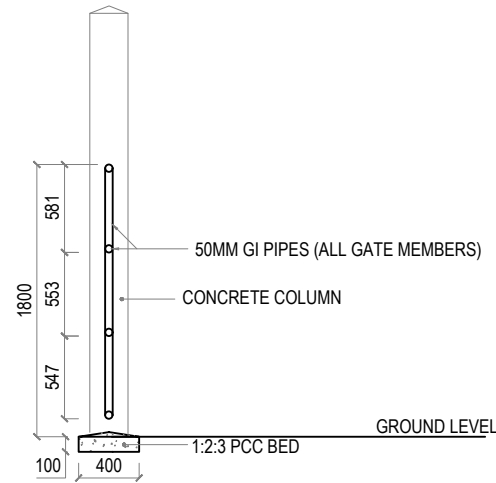
0.00



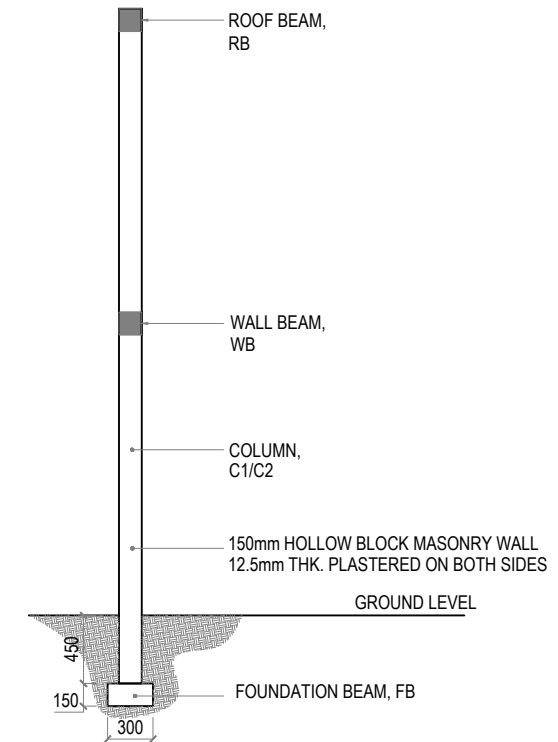


1 MAIN GATE DETAILS
REF. A-1.03 SCALE : 1:50 (A3)

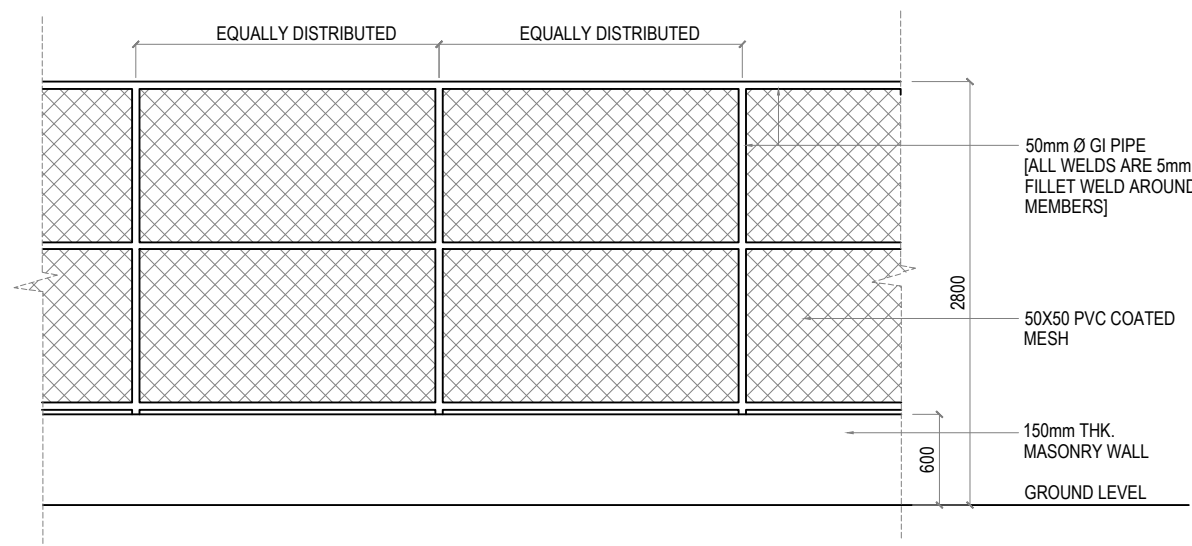
NOTE:
REQUIRED RAILING & LOCKING
SYSTEM TO BE PROVIDED



2 MAIN GATE SECTIONAL DETAILS
REF. A-1.03 SCALE : 1:50 (A3)

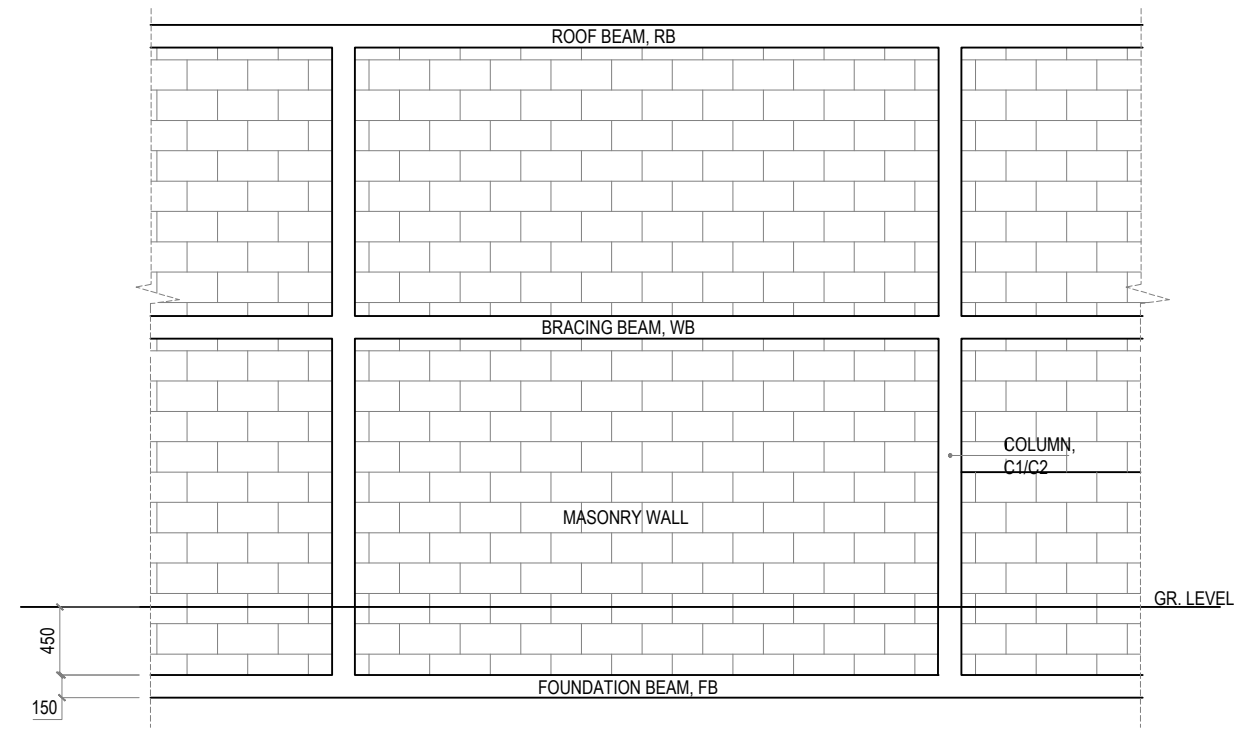


3 BUILDING WALL DETAILS
REF. A-1.03 SCALE : 1:50 (A3)



5 PERIMETER FENCE WALL DETAILS
REF. A-1.03 SCALE : 1:50 (A3)

NOTE:
ALL WELDS FOR THE GI MEMBERS
ARE 5mm FILLET WELDS



4 BUILDING WALL ELEVATION
REF. A-1.03 SCALE : 1:50 (A3)

GENERAL NOTES:

- All dimensions shall be verified on site before proceeding with work.
- In case of any confusion in the structural elements, the measurements given in the structural drawings has to be followed.
- DO NOT SCALE DRAWINGS. Work to figured dimensions.
- All the dimensions given in mm, unless specified otherwise.

KEY PLAN:

REV.	DESCRIPTION	DATE



Charter Engineering Company Private Limited
Second floor, M.Biminee, Male', Maldives
Email: charter.enrg@gmail.com, Mob: +(960) 782-9969

PHASE:

- CONCEPTUAL DESIGN
- DESIGN DEVELOPMENT
- DESIGN APPROVAL
- CONSTRUCTION DOCUMENTATION
- AS-BUILT DRAWINGS

PROJECT:

CONSULTANCY SERVICES FOR THE
ARCHITECTURAL DRAWINGS AND BILL OF
QUANTITIES FOR THE PROPOSED 14
ISLANDS WMC

CLIENT: MINISTRY OF ENVIRONMENT

LOCATION: SH.NARUDHOO

DISCIPLINE: DETAILS

DRAWN BY: ISMAIL

DESIGNED BY: CEC

CHECKED BY: CEC

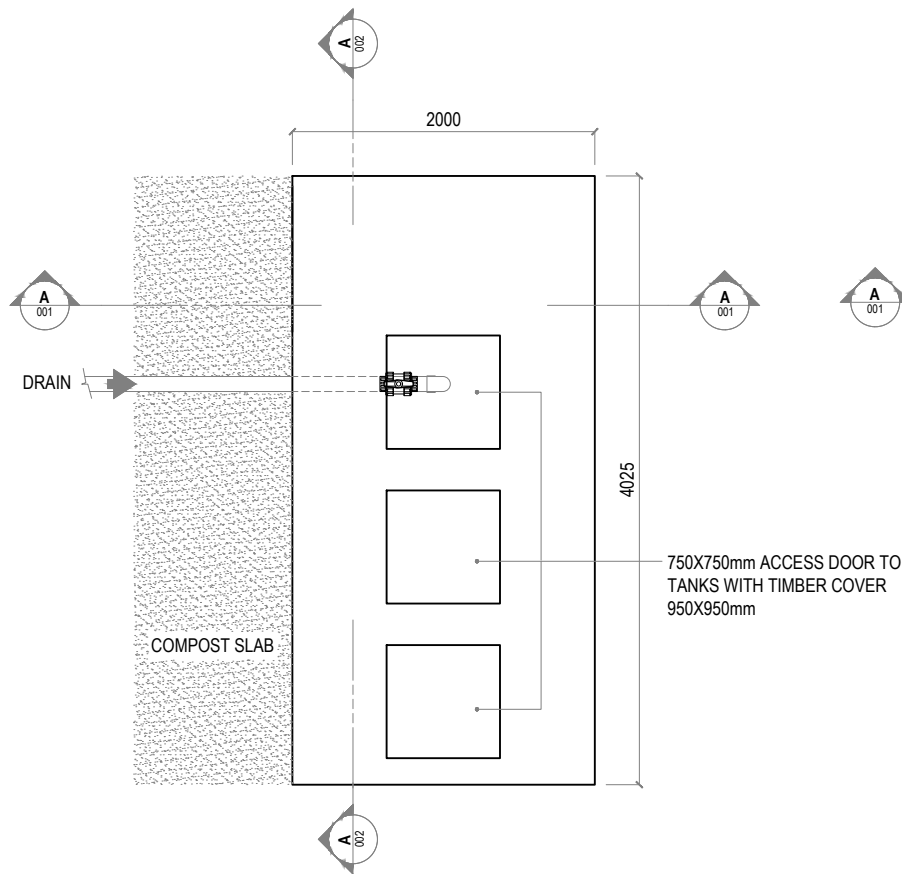
DATE: Mar 22 SCALE: 1:50 SHEET SIZE: A3

DRAWING NO. REV.

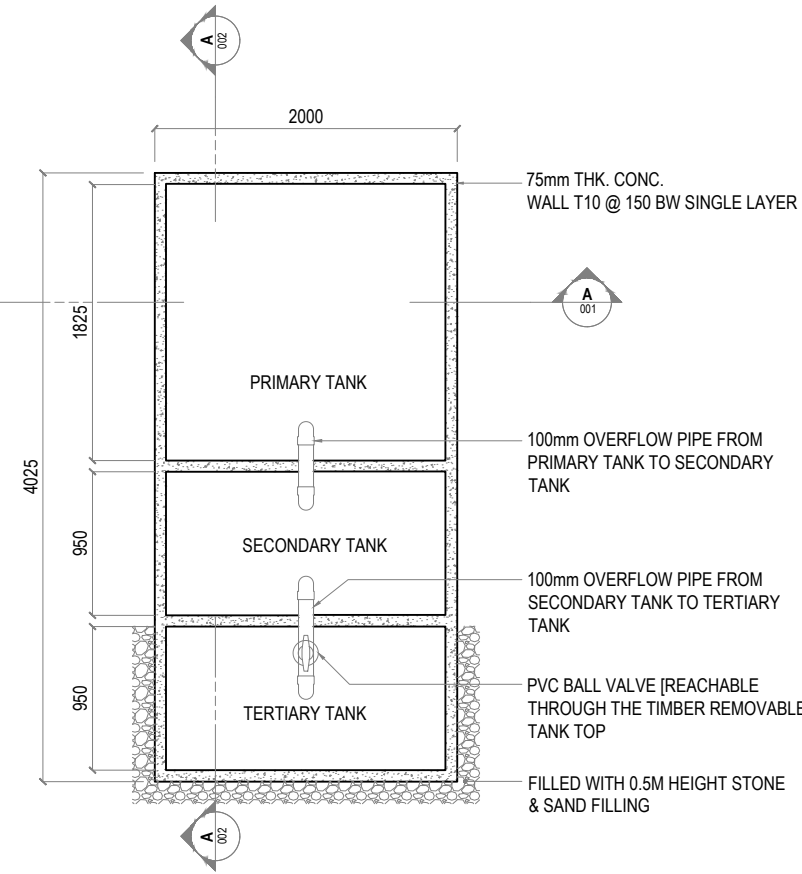
A-5.19

0.00

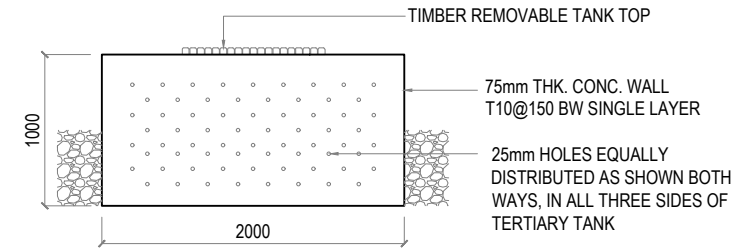




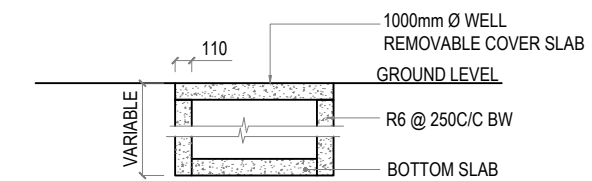
1 LEACHATE WELL TOP PLAN
REF. XX-00 SCALE : 1:50 (A3)



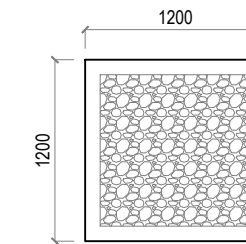
2 LEACHATE WELL TOP SECTIONAL VIEW
REF. XX-00 SCALE : 1:50 (A3)



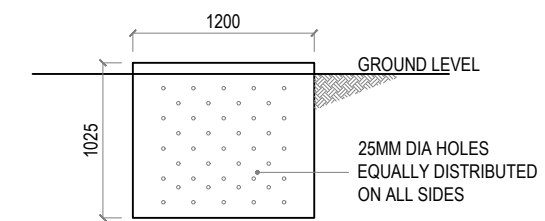
5 TERTIARY TANK SIDE VIEW
REF. XX-00 SCALE : 1:50 (A3)



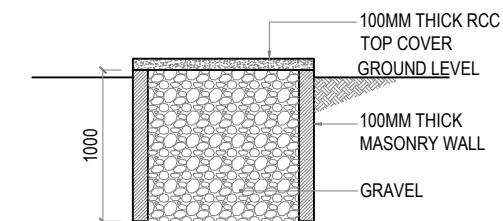
6 GROUND WATER WELL
REF. XX-00 SCALE : 1:50 (A3)



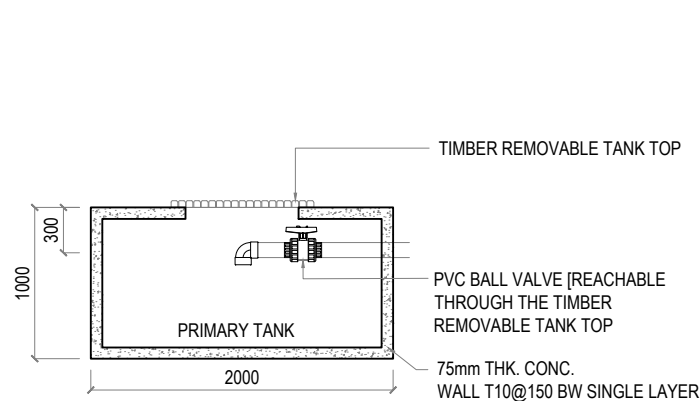
7 RAINWATER DRAIN PIT: TOP VIEW
REF. XX-00 SCALE : 1:50 (A3)



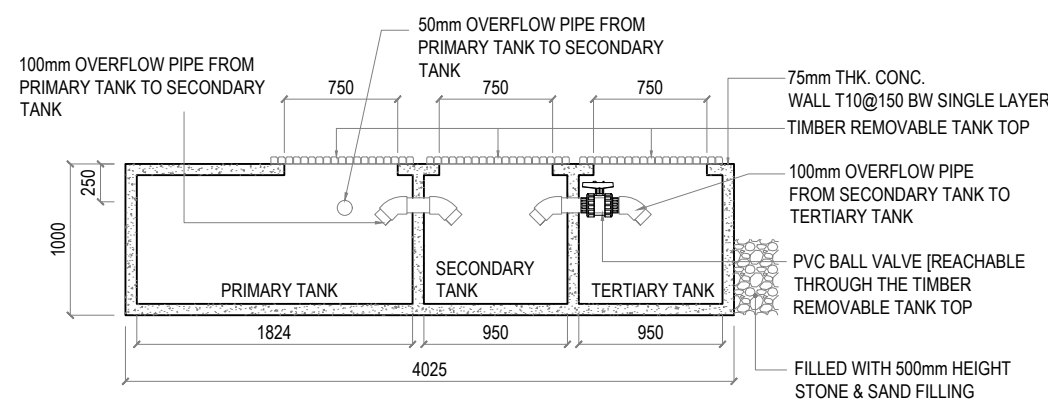
8 RAINWATER DRAIN PIT: SIDE VIEW
REF. XX-00 SCALE : 1:50 (A3)



9 RAINWATER DRAIN PIT: SECTION VIEW
REF. XX-00 SCALE : 1:50 (A3)



3 SECTION: A-002
REF. LEACHATE WELL SCALE : 1:50 (A3)



4 SECTION: A-001
REF. LEACHATE WELL SCALE : 1:50 (A3)

GENERAL NOTES:

- All dimensions shall be verified on site before proceeding with work.
- In case of any confusion in the structural elements, the measurements given in the structural drawings has to be followed.
- DO NOT SCALE DRAWINGS. Work to figured dimensions.
- All the dimensions given in mm, unless specified otherwise.

KEY PLAN:

REV.	DESCRIPTION	DATE



Charter Engineering Company Private Limited
Second floor, M.Biminee, Male', Maldives
Email: charter_engr@gmail.com, Mob: +(960) 782-9969

PHASE:

- CONCEPTUAL DESIGN
- DESIGN DEVELOPMENT
- DESIGN APPROVAL
- CONSTRUCTION DOCUMENTATION
- AS-BUILT DRAWINGS

PROJECT:

CONSULTANCY SERVICES FOR THE ARCHITECTURAL DRAWINGS AND BILL OF QUANTITIES FOR THE PROPOSED 14 ISLANDS WMC

CLIENT: MINISTRY OF ENVIRONMENT

LOCATION: HA.FILLADHOO

DISCIPLINE: DETAILS

DRAWN BY: ISMAIL

DESIGNED BY: CEC

CHECKED BY: CEC

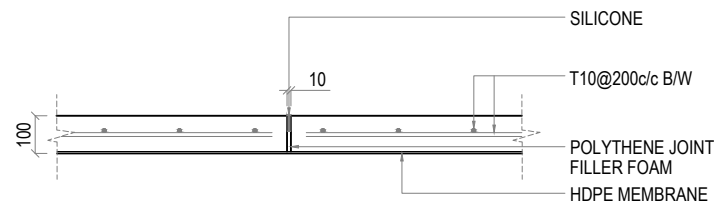
DATE: Mar 22 SCALE: 1:50 SHEET SIZE: A3

DRAWING NO. REV.

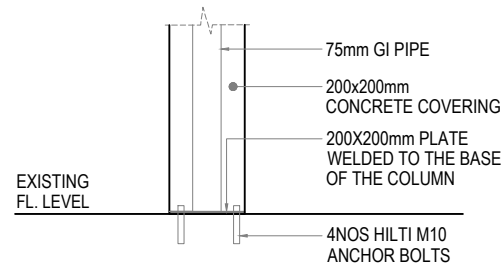
A-5.20

0.00

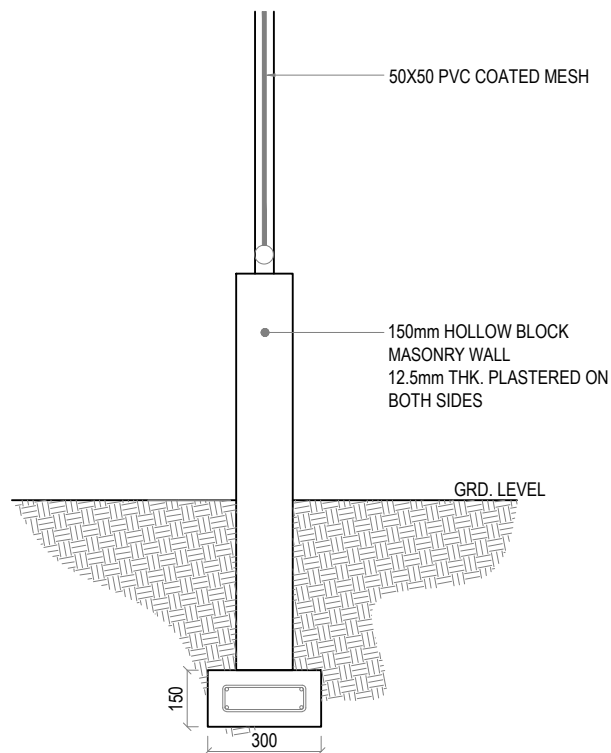




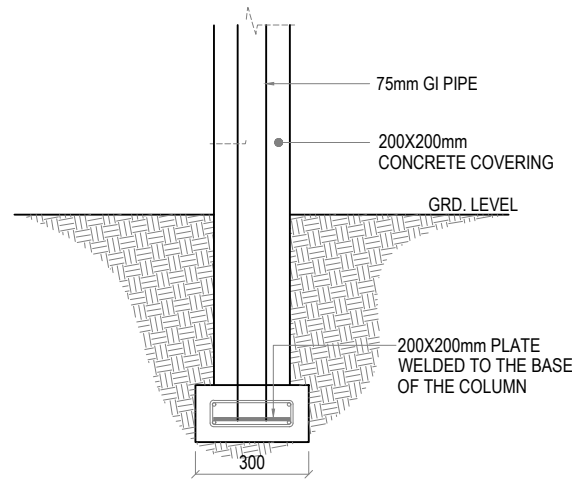
5 CONCRETE SLAB DETAIL
REF. XX-00 SCALE : 1:20 (A3)



2 COLLECTION BAY COLUMN (C2) FIXING DETAIL
REF. XX-00 SCALE : 1:20 (A3)



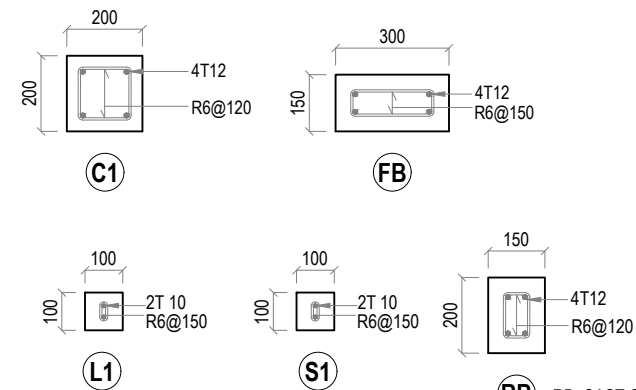
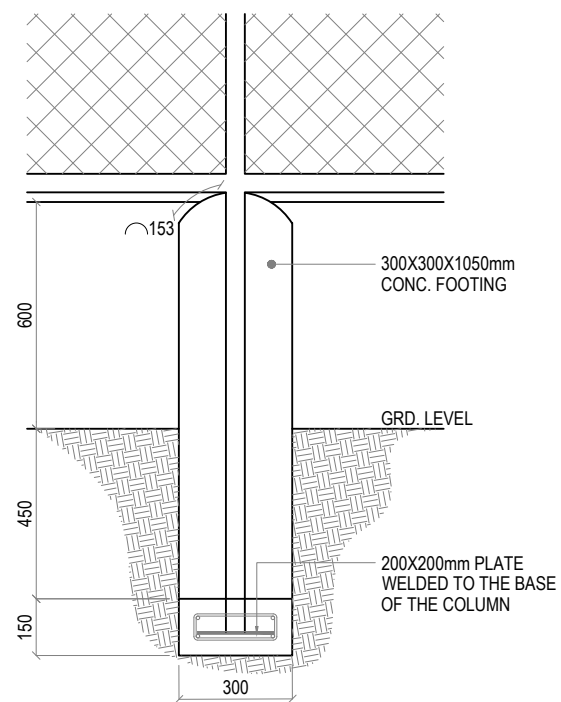
1 PARAMETER FENCE WALL FOUNDATION DETAIL
REF. XX-00 SCALE : 1:20 (A3)



4 COLLECTION BAY COLUMN (C2) FOUNDATION DETAIL
REF. XX-00 SCALE : 1:20 (A3)

Note:

- * Concrete cover: 50mm
- * GI pipe to be painted with 1 coat of sealer & 2 coats of finishing paint. (Sigma, maroon colour)

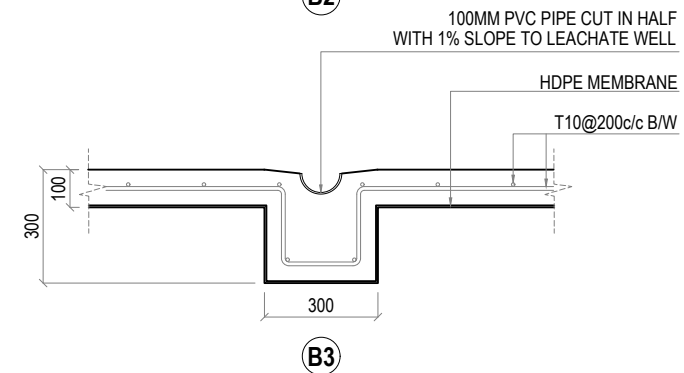
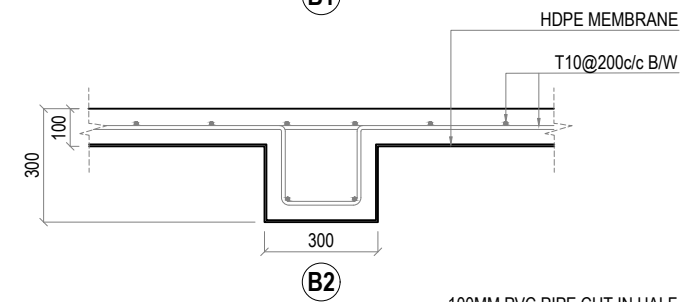
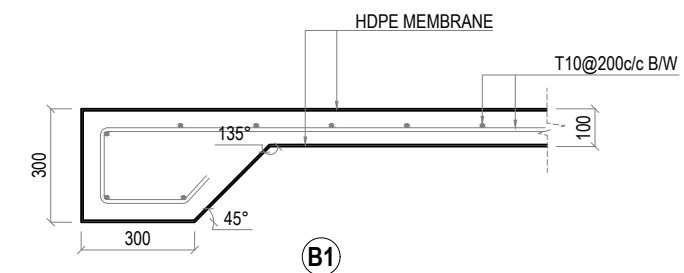


3 COLUMN DETAILS
REF. XX-00 SCALE : 1:20 (A3)

CONCRETE COVERS:
FB: 40mm
ALL OTHERS: 30mm

RB: CAST ON TOP OF MASONRY WALLS.

WB: CAST WITH WALL AT 1000MM FROM FIN FLR LVL WHERE REQUIRED



6 COMPOST SLAB BEAM DETAILS
REF. XX-00 SCALE : 1:20 (A3)

GENERAL NOTES:

- All dimensions shall be verified on site before proceeding with work.
- In case of any confusion in the structural elements, the measurements given in the structural drawings has to be followed.
- DO NOT SCALE DRAWINGS. Work to figured dimensions.
- All the dimensions given in mm, unless specified otherwise.

KEY PLAN:

REV.	DESCRIPTION	DATE



Charter Engineering Company Private Limited
Second floor, M.Birniee, Male', Maldives
Email: charter.enrg@gmail.com, Mob: +(960) 782-9969

PHASE:

- CONCEPTUAL DESIGN
- DESIGN DEVELOPMENT
- DESIGN APPROVAL
- CONSTRUCTION DOCUMENTATION
- AS-BUILT DRAWINGS

PROJECT:

CONSULTANCY SERVICES FOR THE ARCHITECTURAL DRAWINGS AND BILL OF QUANTITIES FOR THE PROPOSED 14 ISLANDS WMC

CLIENT: MINISTRY OF ENVIRONMENT

LOCATION: HA.FILLADHOO

DISCIPLINE: DETAILS

DRAWN BY: ISMAIL

DESIGNED BY: CEC

CHECKED BY: CEC

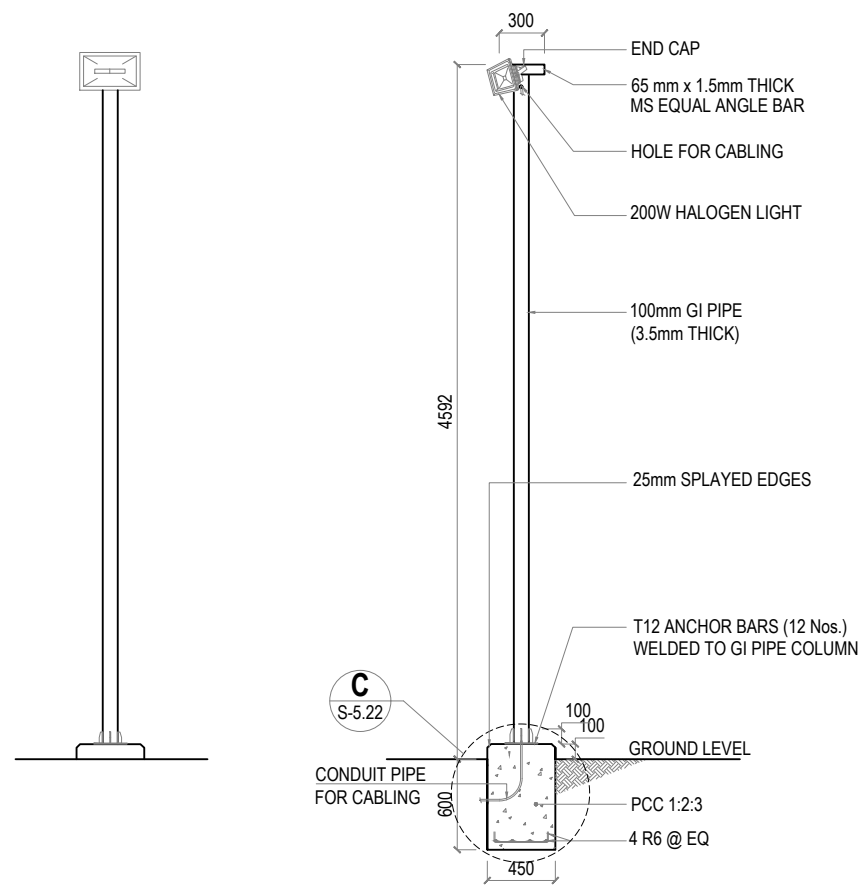
DATE: Mar 22 SCALE: 1:50 SHEET SIZE: A3

DRAWING NO. REV.

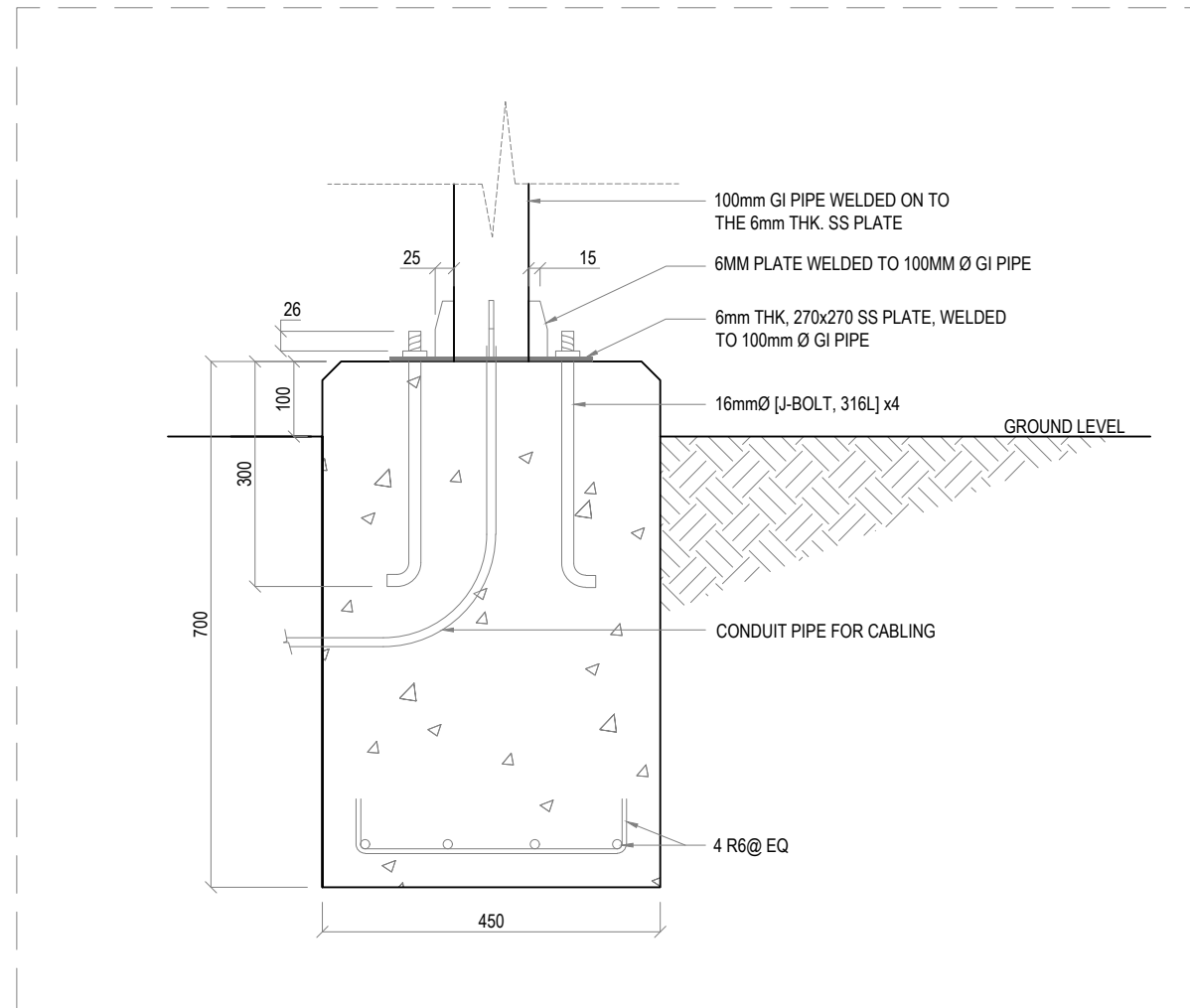
A-5.21

0.00





1 LIGHT POST DETAILS
REF. XX-00 SCALE : 1:50 (A3)



2 DETAILS - C: LIGHT POST FOUNDATION FOOTING
REF. LIGHT POST DETAILS SCALE : 1:10 (A3)

GENERAL NOTES:

- All dimensions shall be verified on site before proceeding with work.
- In case of any confusion in the structural elements, the measurements given in the structural drawings has to be followed.
- DO NOT SCALE DRAWINGS. Work to figured dimensions.
- All the dimensions given in mm, unless specified otherwise.

KEY PLAN:

REV.	DESCRIPTION	DATE



Charter Engineering Company Private Limited
Second floor, M.Biminee, Male', Maldives
Email: charter_engr@gmail.com, Mob: +(960) 782-9969

PHASE:

- CONCEPTUAL DESIGN
- DESIGN DEVELOPMENT
- DESIGN APPROVAL
- CONSTRUCTION DOCUMENTATION
- AS-BUILT DRAWINGS

PROJECT:
CONSULTANCY SERVICES FOR THE ARCHITECTURAL DRAWINGS AND BILL OF QUANTITIES FOR THE PROPOSED 14 ISLANDS WMC

CLIENT: MINISTRY OF ENVIRONMENT

LOCATION: HA.FILLADHOO

DISCIPLINE: DETAILS

DRAWN BY: ISMAIL

DESIGNED BY: CEC

CHECKED BY: CEC

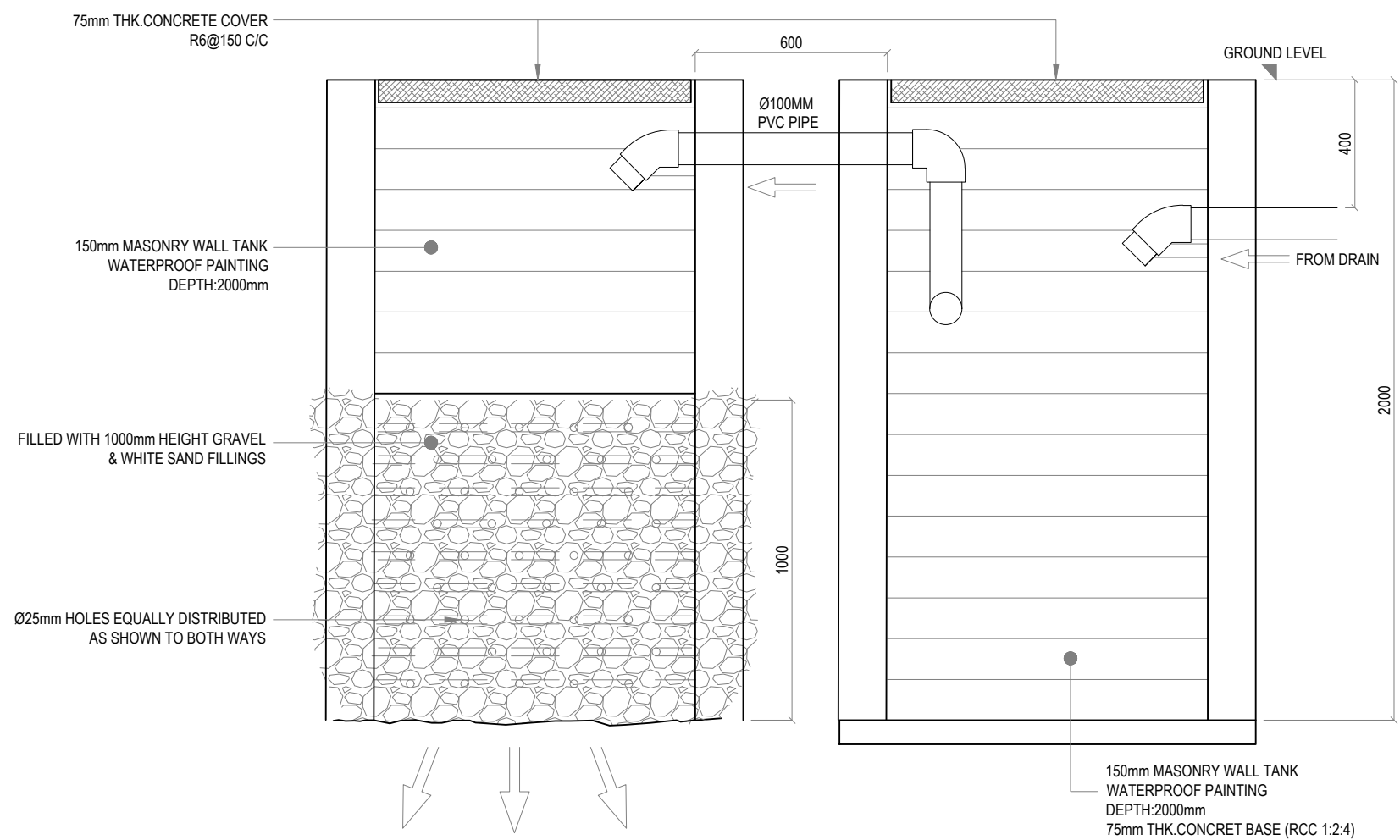
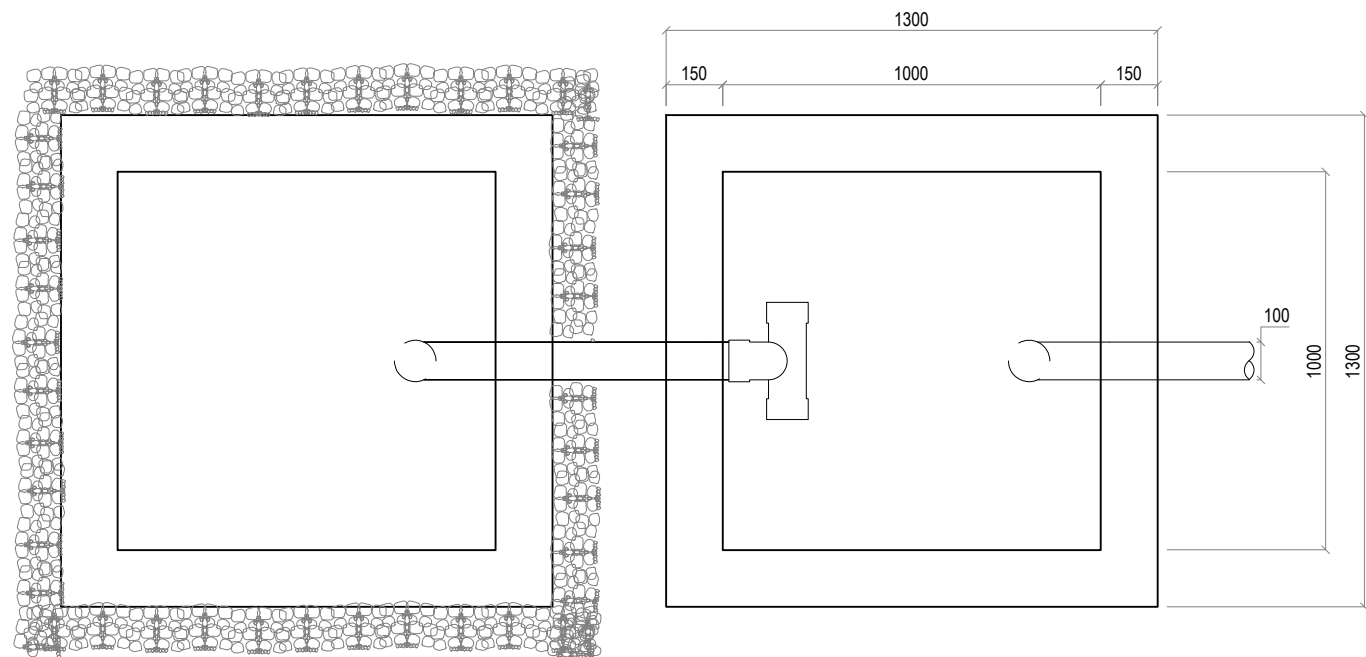
DATE: Mar 22 **SCALE:** 1:50 **SHEET SIZE:** A3

DRAWING NO. **REV.**

A-5.22

0.00





1 SEPTIC TANK DETAILS
REF. A-1.03 SCALE : 1:20 (A3)

GENERAL NOTES:

- All dimensions shall be verified on site before proceeding with work.
- In case of any confusion in the structural elements, the measurements given in the structural drawings has to be followed.
- DO NOT SCALE DRAWINGS. Work to figured dimensions.
- All the dimensions given in mm, unless specified otherwise.

KEY PLAN:

REV.	DESCRIPTION	DATE



Charter Engineering Company Private Limited
Second floor, M.Birniee, Male', Maldives
Email: charter.enr@gmail.com, Mob: +(960) 782-9969

- PHASE:
- CONCEPTUAL DESIGN
 - DESIGN DEVELOPMENT
 - DESIGN APPROVAL
 - CONSTRUCTION DOCUMENTATION
 - AS-BUILT DRAWINGS

PROJECT:
CONSULTANCY SERVICES FOR THE ARCHITECTURAL DRAWINGS AND BILL OF QUANTITIES FOR THE PROPOSED 14 ISLANDS WMC

CLIENT: **MINISTRY OF ENVIRONMENT**

LOCATION: **HA.FILLADHOO**

DISCIPLINE: **DETAILS**

DRAWN BY: **ISMAL**

DESIGNED BY: **CEC**

CHECKED BY: **CEC**

DATE: **Mar 22** SCALE: **1:50** SHEET SIZE: **A3**

DRAWING NO. **A-5.23** REV. **0.00**

