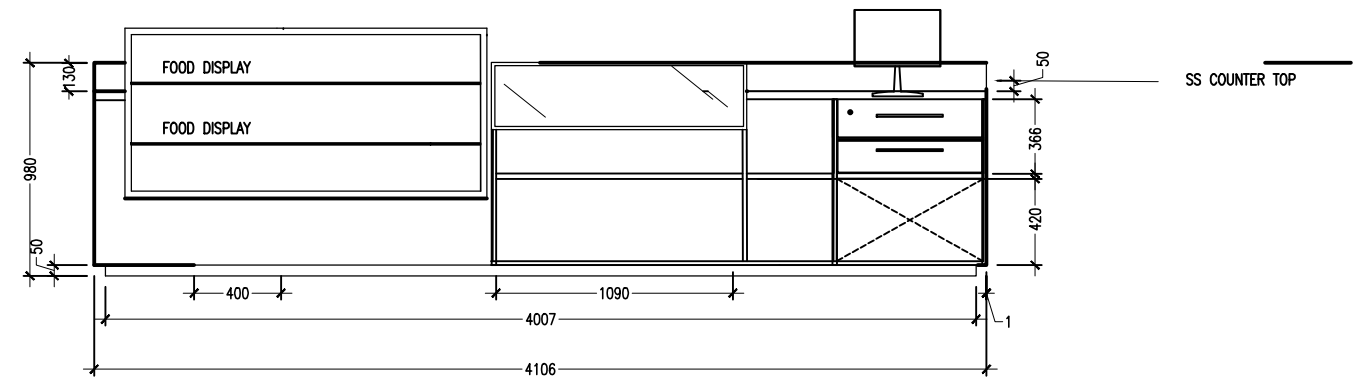
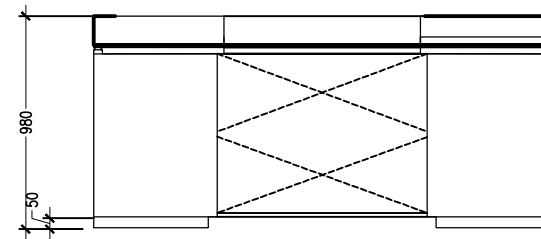



E1: SIDE COUNTER



E2: SIDE COUNTER



E3: SIDE COUNTER

	PROJECT NAME	DRAWING TITLE	NOTE	PAGE NO
 <b>MYANASIH</b> <small>Est. 2018</small>	GAN	COUNTER DETAILS	DO NOT SCALE ALL DIMENSIONS SHALL BE VERIFIED ON SITE BY THE CONTRACTOR.  ANY DISCREPANCIES SHALL BE MADE KNOWN TO THE DESIGNER FOR DECISION BEFORE PROCEEDING WITH THE WORK.	06
	DATE			
	18 JUN 2020			