

PROPOSED SURF SHACK AT M.MULI

SURF SHACK AT M.MULI

-

CLIENT : M.MULI COUNCIL

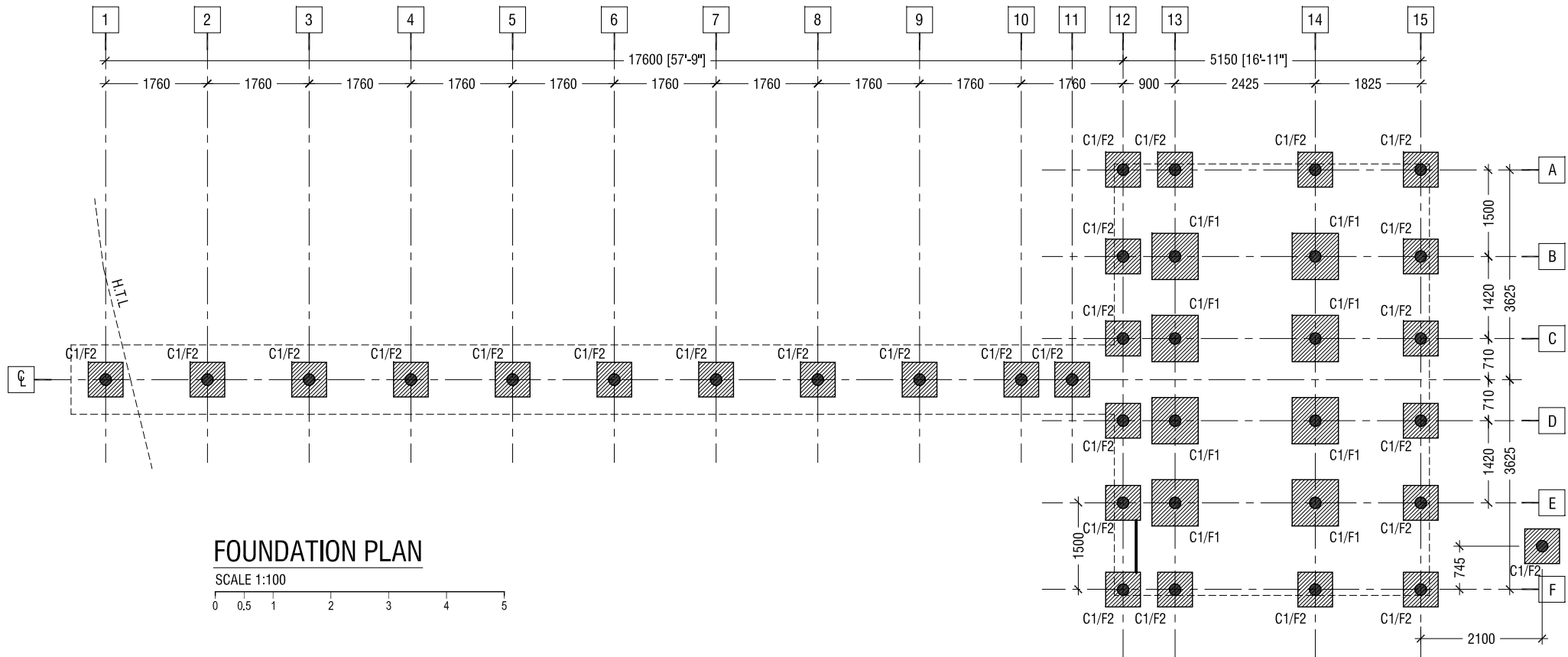
DATE : FEBRUARY 2022

STRUCTURAL DRAWINGS



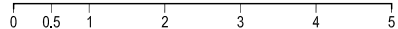
DESIGN & CONSULTANCY

IRIZ . PVT . LTD / H 2 - 1 9 - 1 4
19TH FLOOR / HIYA FLAT 2 / HULHUMALE' / MALDIVES
M: +9607902895 E: irizdesign.co@gmail.com W:iriz.com.mv



FOUNDATION PLAN

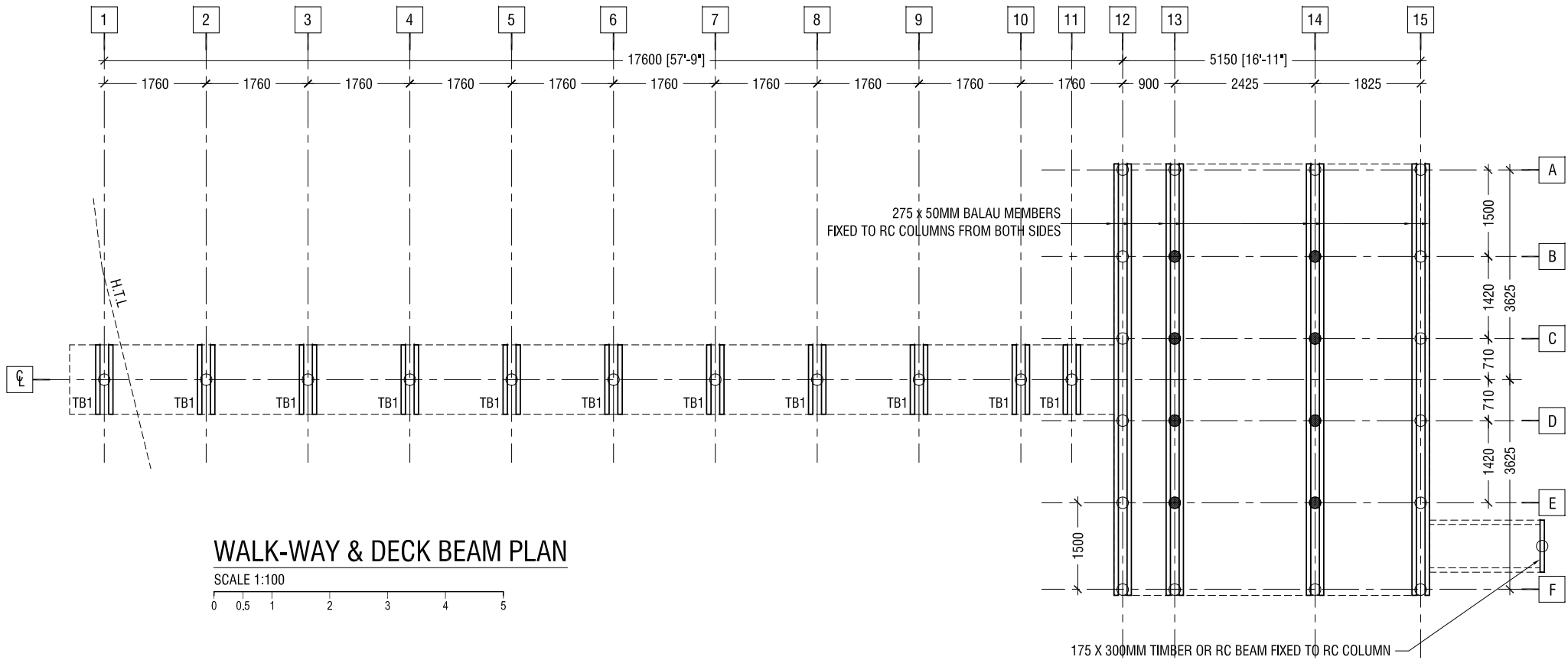
SCALE 1:100



IRIZ PVT. LTD / H2-19-14
19TH FLOOR /HIYA FLAT 2 / HULHUMALE' / MALDIVES
M: +9607902895 E: Irizdesign.co@gmail.com W: Iriz.com.mv

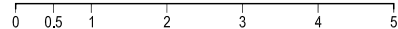
REVISION	DATE :	PROJECT TITLE : PROPOSED SURF SHACK AT M.MULI	SHEET TITLE : SITE PLAN	ARCHITECT : ZS	DRAWN : ZS	SCALE : AS GIVEN
A		STRUCTURAL DRAWINGS		A.CHECKER :-	DATE : 20 FEB 2022	SHEET NO :
B		CLIENT : M.MULI COUNCIL		ENGINEER : AH	PROJECT NO : -	S - 01 / 08
C				S.CHECKER :-		

CONTRACTORS MUST CHECK ALL DIMENSIONS ON SITE BEFORE STARTING ANY WORK OR SHOP DRAWINGS, FIGURED DIMENSIONS TO TAKE PRECEDENCE OVER SCALE READINGS. ALL DRAWINGS ARE THE PROPERTY OF IRIZ PVT.LTD



WALK-WAY & DECK BEAM PLAN

SCALE 1:100

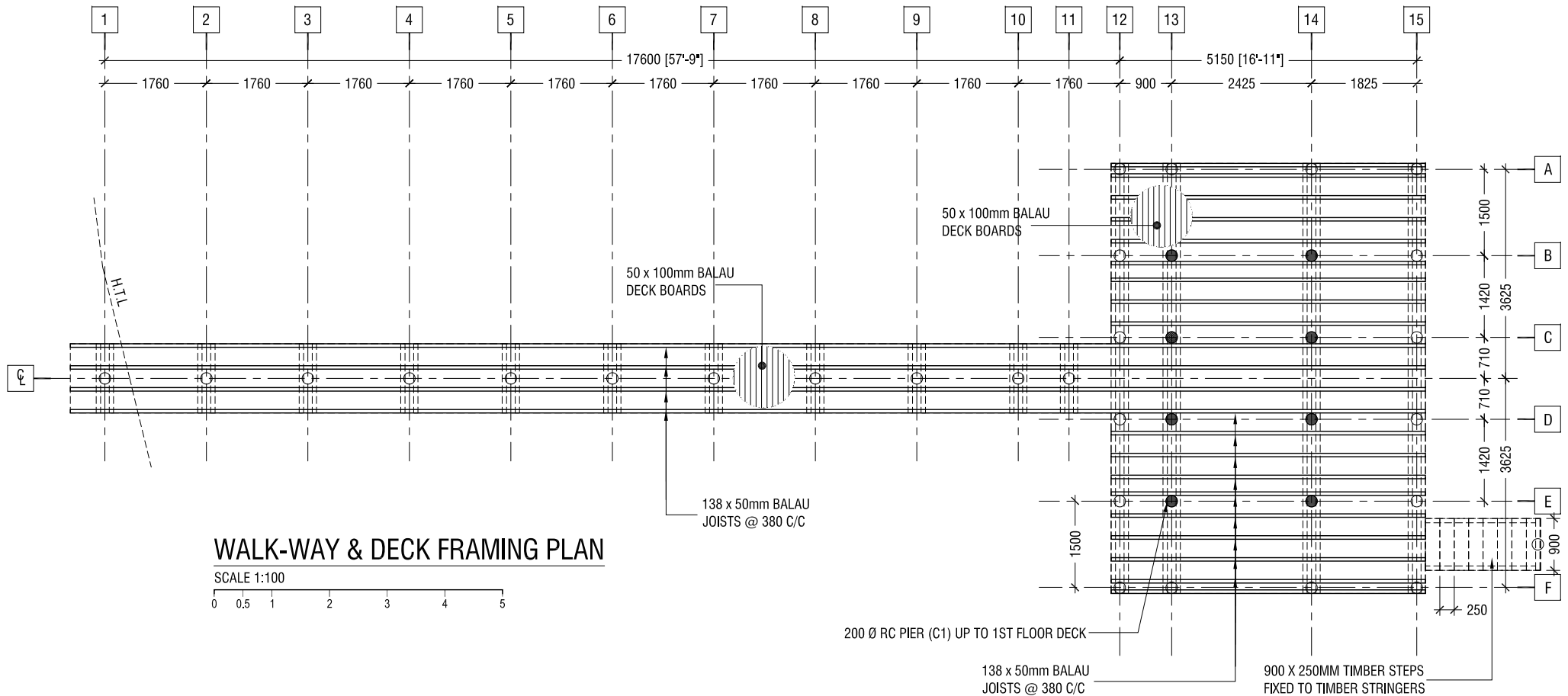


DESIGN & CONSULTANCY

IRIZ PVT. LTD / H2-19-14
19TH FLOOR / HIYA FLAT 2 / HULHUMALE' / MALDIVES
M: +9607902895 E: Irizdesign.co@gmail.com W: Iriz.com.mv

REVISION	DATE:	PROJECT TITLE : PROPOSED SURF SHACK AT M.MULI	SHEET TITLE :	ARCHITECT : ZS	DRAWN : ZS	SCALE : AS GIVEN
A		STRUCTURAL DRAWINGS	SITE PLAN	A.CHECKER :-	DATE : 20 FEB 2022	SHEET NO :
B		CLIENT : M.MULI COUNCIL		ENGINEER : AH	PROJECT NO : -	S - 02 / 08
C				S.CHECKER :-		
D						

CONTRACTORS MUST CHECK ALL DIMENSIONS ON SITE BEFORE STARTING ANY WORK OR SHOP DRAWINGS, FIGURED DIMENSIONS TO TAKE PRECEDENCE OVER SCALE READINGS. ALL DRAWINGS ARE THE PROPERTY OF IRIZ PVT.LTD



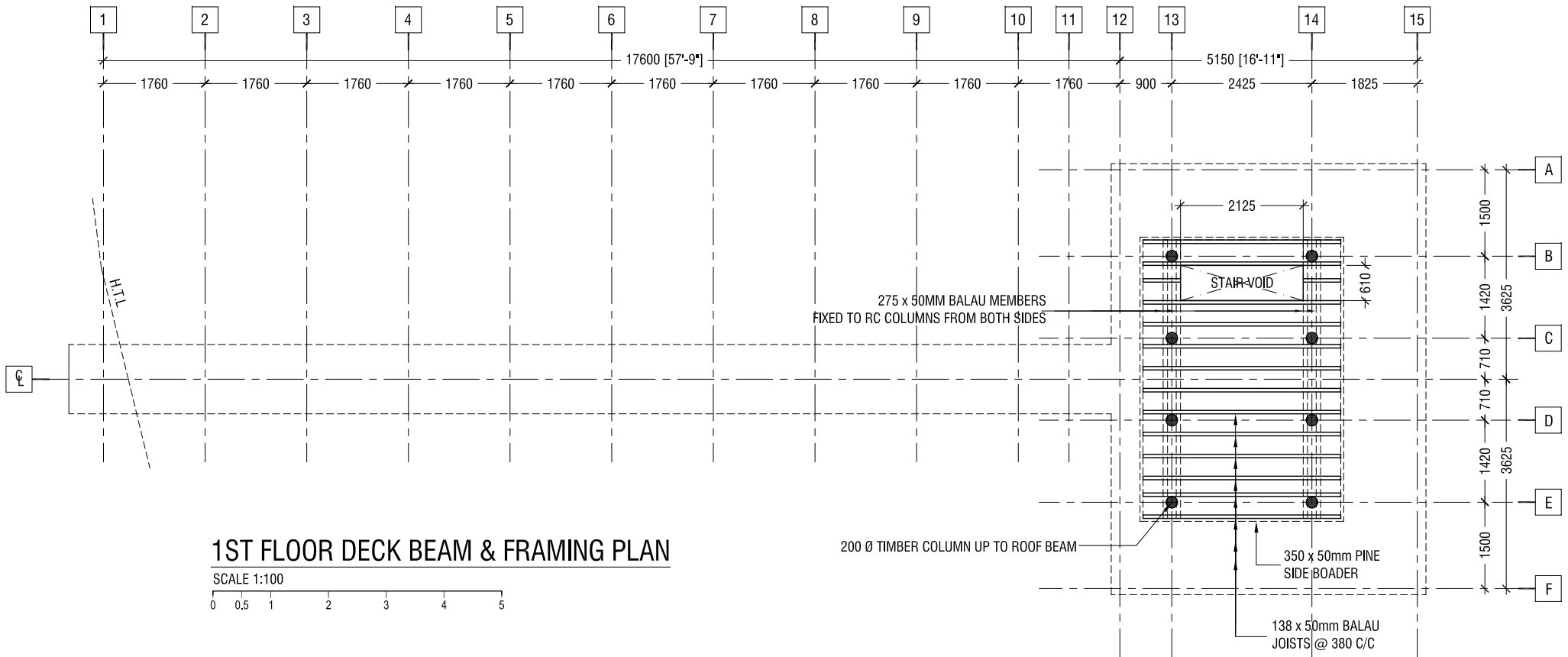
WALK-WAY & DECK FRAMING PLAN

SCALE 1:100



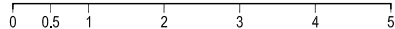
REVISION	DATE:	PROJECT TITLE : PROPOSED SURF SHACK AT M.MULI	SHEET TITLE : SITE PLAN	ARCHITECT : ZS	DRAWN : ZS	SCALE : AS GIVEN
A		STRUCTURAL DRAWINGS		A.CHECKER : -	DATE : 20 FEB 2022	SHEET NO :
B		CLIENT : M.MULI COUNCIL		ENGINEER : AH	PROJECT NO : -	S - 03 / 08
C				S.CHECKER : -		
D						

CONTRACTORS MUST CHECK ALL DIMENSIONS ON SITE BEFORE STARTING ANY WORK OR SHOP DRAWINGS, FIGURED DIMENSIONS TO TAKE PRECEDENCE OVER SCALE READINGS. ALL DRAWINGS ARE THE PROPERTY OF IRIZ PVT.LTD



1ST FLOOR DECK BEAM & FRAMING PLAN

SCALE 1:100

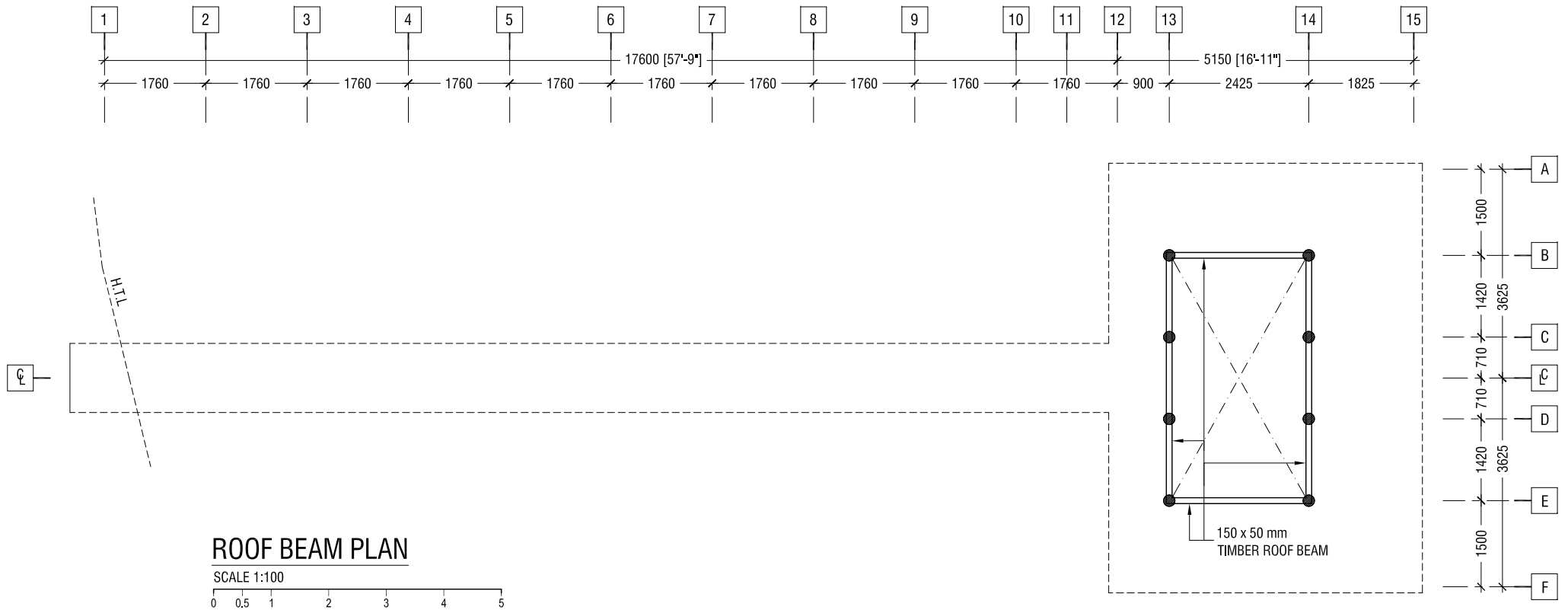


DESIGN & CONSULTANCY

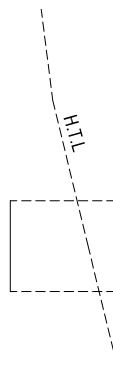
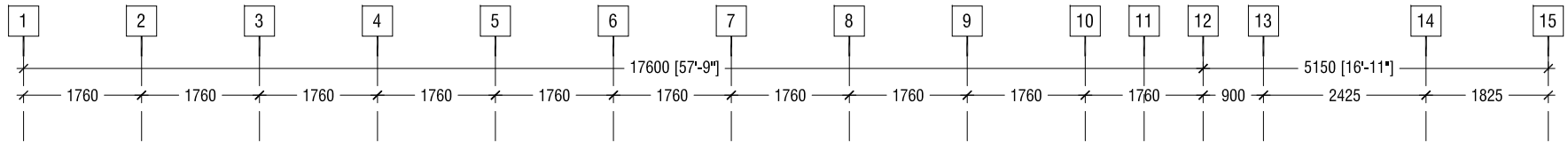
IRIZ PVT. LTD. / H2-19-14
19TH FLOOR / HIYA FLAT 2 / HULHUMALE' / MALDIVES
M: +9607902895 E: Irizdesign.co@gmail.com W: Iriz.com.mv

REVISION	DATE :	PROJECT TITLE : PROPOSED SURF SHACK AT M.MULI	SHEET TITLE : SITE PLAN	ARCHITECT : ZS	DRAWN : ZS	SCALE : AS GIVEN
A		STRUCTURAL DRAWINGS		A.CHECKER :-	DATE : 20 FEB 2022	SHEET NO :
B		CLIENT : M.MULI COUNCIL		ENGINEER : AH	PROJECT NO : -	S - 04 / 08
C				S.CHECKER :-		

CONTRACTORS MUST CHECK ALL DIMENSIONS ON SITE BEFORE STARTING ANY WORK OR SHOP DRAWINGS, FIGURED DIMENSIONS TO TAKE PRECEDENCE OVER SCALE READINGS. ALL DRAWINGS ARE THE PROPERTY OF IRIZ PVT.LTD

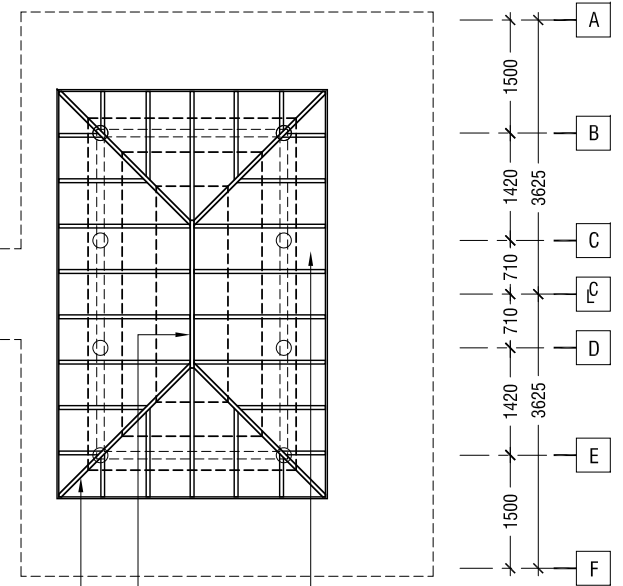
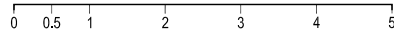


REVISION	DATE :	PROJECT TITLE : PROPOSED SURF SHACK AT M.MULI	SHEET TITLE : SITE PLAN	ARCHITECT : ZS	DRAWN : ZS	SCALE : AS GIVEN
A		STRUCTURAL DRAWINGS		A.CHECKER : -	DATE : 20 FEB 2022	SHEET NO :
B		CLIENT : M.MULI COUNCIL		ENGINEER : AH	PROJECT NO : -	S - 05 / 08
C				S.CHECKER : -		



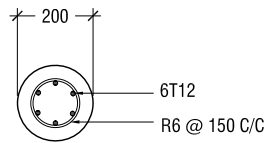
ROOF FRAMING PLAN

SCALE 1:100



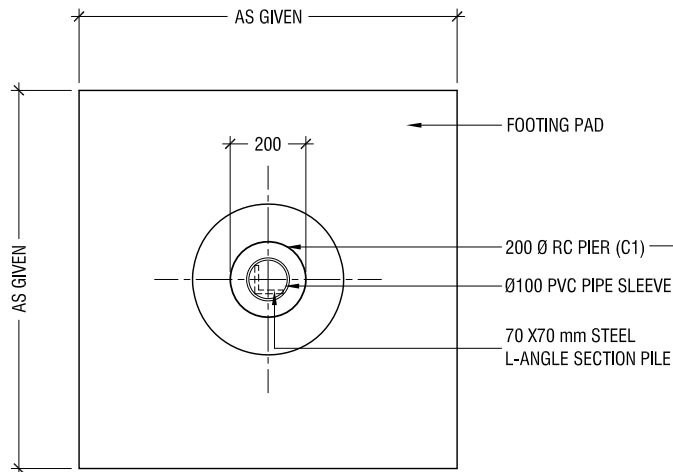
- 50 x 75 mm
TIMBER RAFTERS @ 600 C/C
- 50 x 150 mm
TIMBER RIDGE BEAM
- 50 x 150 mm
TIMBER HIP RAFTERS

REVISION	DATE :	PROJECT TITLE : PROPOSED SURF SHACK AT M.MULI	SHEET TITLE :	ARCHITECT : ZS	DRAWN : ZS	SCALE : AS GIVEN
A		STRUCTURAL DRAWINGS		A.CHECKER : -	DATE : 20 FEB 2022	SHEET NO :
B		CLIENT : M.MULI COUNCIL	SITE PLAN	ENGINEER : AH	PROJECT NO : -	S - 06 / 08
C				S.CHECKER : -		
D						



C1 - COLUMN DETAIL

SCALE 1:20

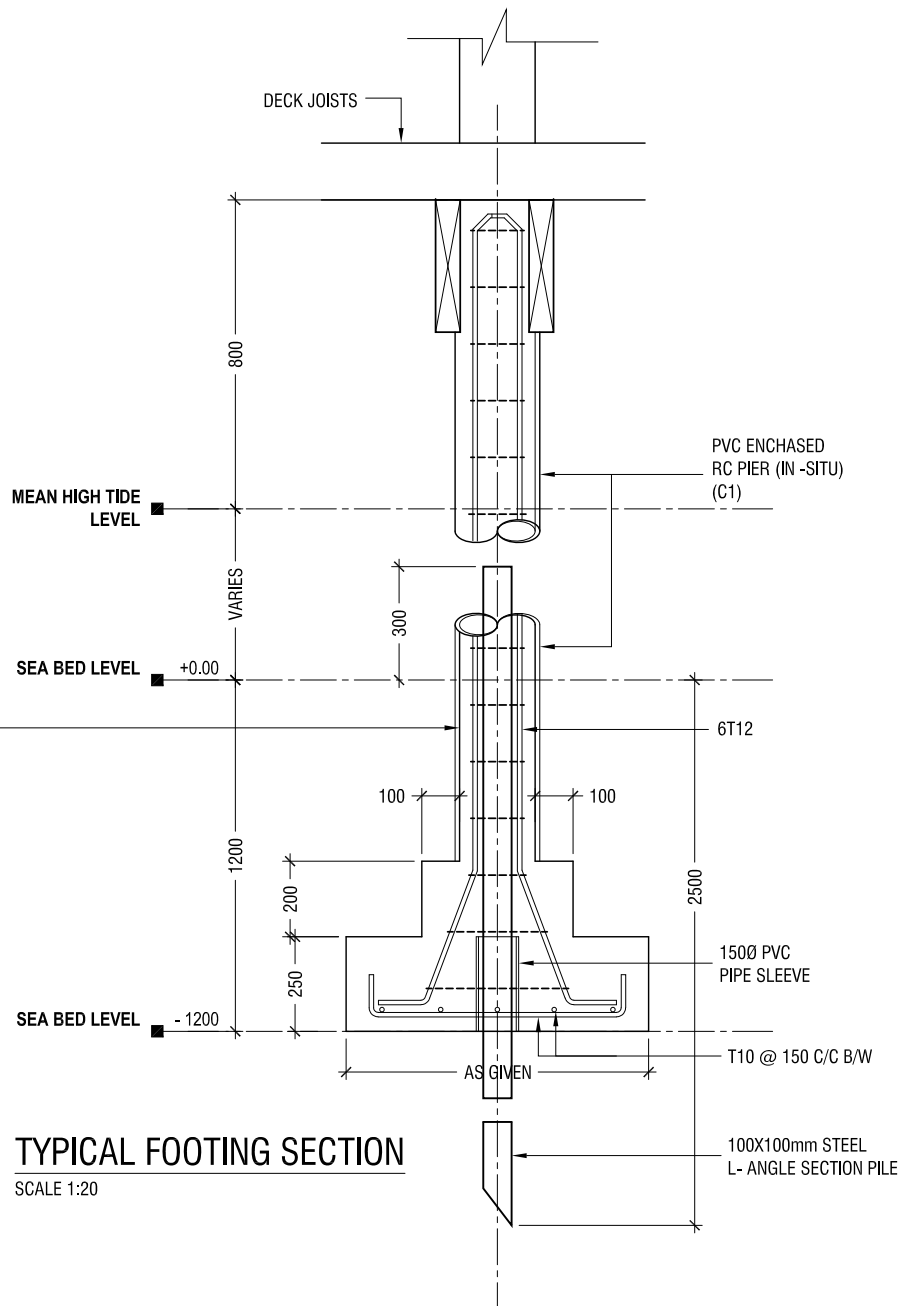


TYPICAL FOOTING DETAILS

SCALE 1:20

TYPE	SIZE	REINFORCEMENT
F1	800 X 800 X 250	T10 @ 150 C/C BW (B)
F2	600 X 600 X 250	T10 @ 150 C/C BW (B)

FOOTING DETAILS



TYPICAL FOOTING SECTION

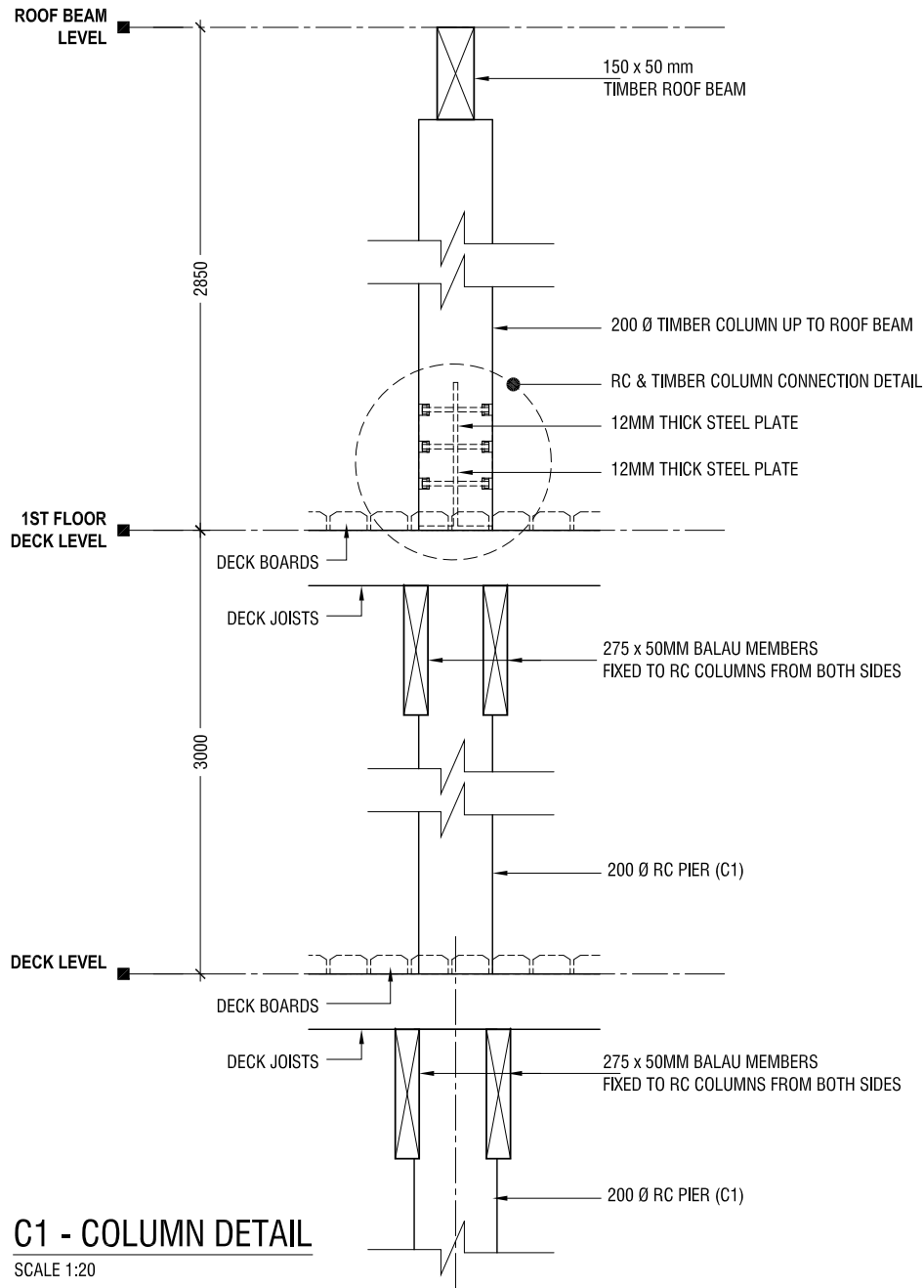
SCALE 1:20



IRIZ PVT. LTD / H2-19-14
19TH FLOOR / HIYA FLAT 2 / HULHUMALE' / MALDIVES
M: +9607902895 E: irizdesign.co@gmail.com W: iriz.com.mv

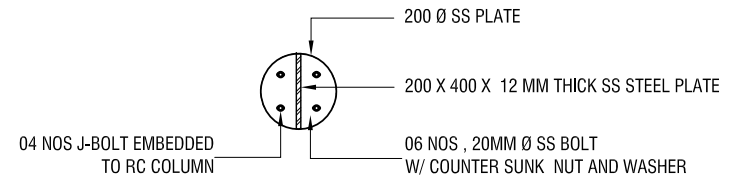
REVISION	DATE:	PROJECT TITLE : PROPOSED SURF SHACK AT M.MULI	SHEET TITLE :	ARCHITECT : ZS	DRAWN : ZS	SCALE : AS GIVEN
A		STRUCTURAL DRAWINGS	SITE PLAN	A.CHECKER :-	DATE : 20 FEB 2022	SHEET NO :
B		CLIENT : M.MULI COUNCIL		ENGINEER : AH		
C				S.CHECKER :-	PROJECT NO : -	S - 07 / 08
D						

CONTRACTORS MUST CHECK ALL DIMENSIONS ON SITE BEFORE STARTING ANY WORK OR SHOP DRAWINGS, FIGURED DIMENSIONS TO TAKE PRECEDENCE OVER SCALE READINGS. ALL DRAWINGS ARE THE PROPERTY OF IRIZ PVT.LTD



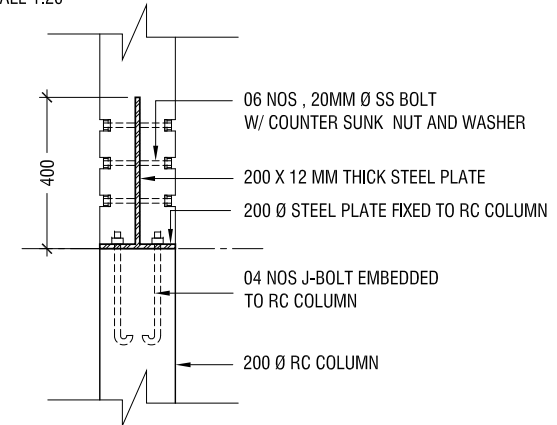
C1 - COLUMN DETAIL

SCALE 1:20



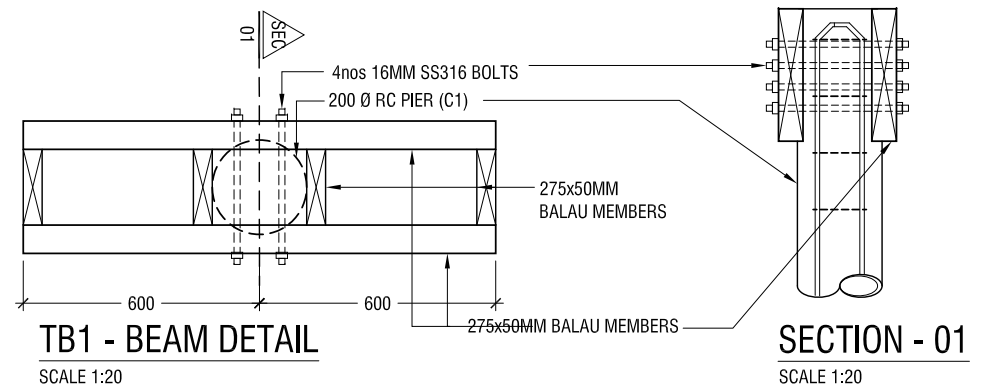
CONNECTION PLATE DETAIL

SCALE 1:20



RC & TIMBER COLUMN CONNECTION DETAIL

SCALE 1:20



TB1 - BEAM DETAIL

SCALE 1:20

SECTION - 01

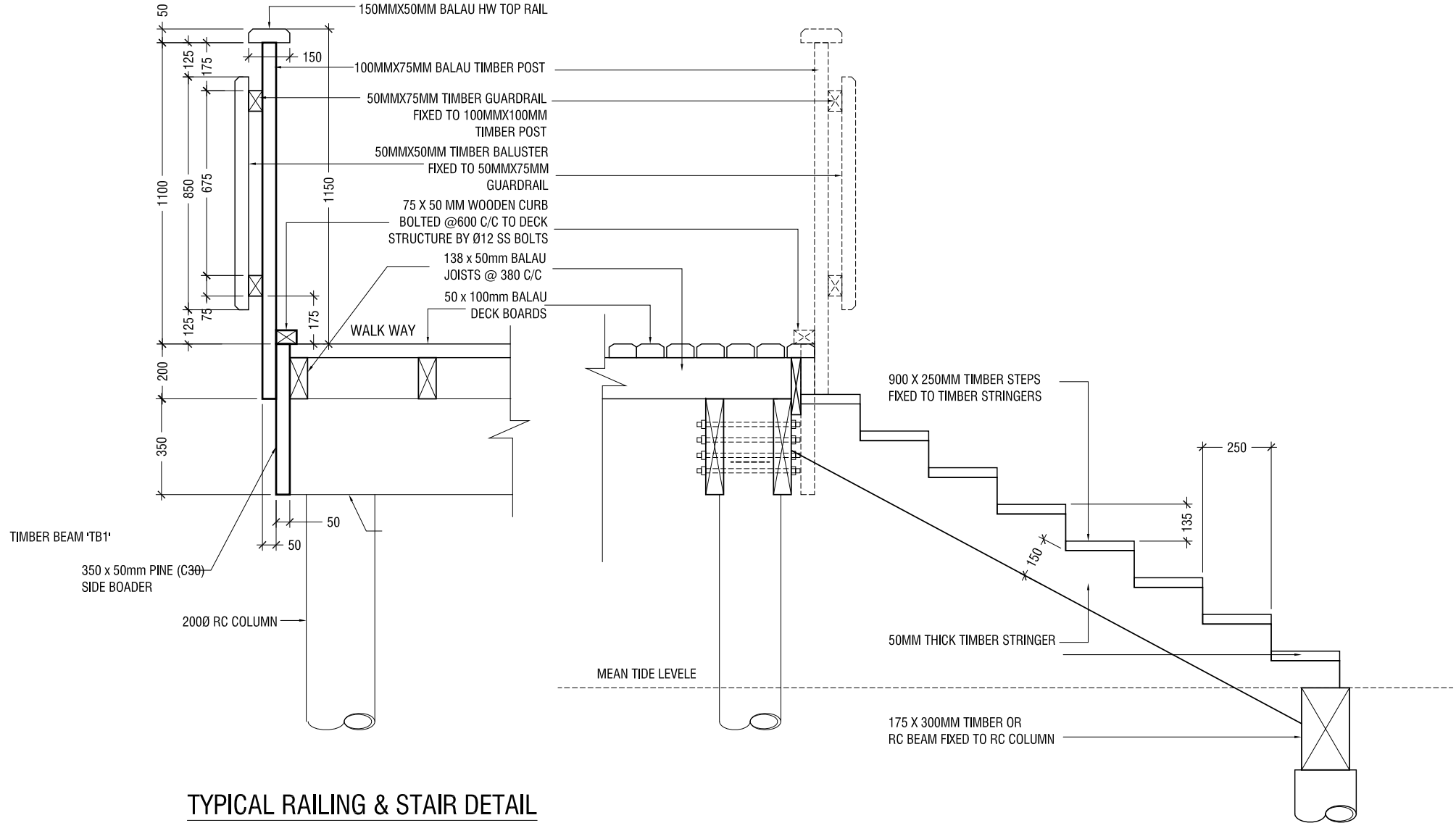
SCALE 1:20



IRIZ PVT. LTD / H2-19-14
19TH FLOOR / HIYA FLAT 2 / HULHUMALE' / MALDIVES
M: +9607902895 E: irizdesign.co@gmail.com W: iriz.com.mv

REVISION	DATE:	PROJECT TITLE : PROPOSED SURF SHACK AT M.MULI	SHEET TITLE :	ARCHITECT : ZS	DRAWN : ZS	SCALE : AS GIVEN
A		STRUCTURAL DRAWINGS	SITE PLAN	A.CHECKER :-	DATE : 20 FEB 2022	SHEET NO :
B		CLIENT : M.MULI COUNCIL		ENGINEER : AH	PROJECT NO : -	S - 08 / 08
C				S.CHECKER :-		
D						

CONTRACTORS MUST CHECK ALL DIMENSIONS ON SITE BEFORE STARTING ANY WORK OR SHOP DRAWINGS, FIGURED DIMENSIONS TO TAKE PRECEDENCE OVER SCALE READINGS. ALL DRAWINGS ARE THE PROPERTY OF IRIZ PVT.LTD



TYPICAL RAILING & STAIR DETAIL

SCALE 1:20

REVISION	DATE :	PROJECT TITLE : PROPOSED SURF SHACK AT M.MULI	SHEET TITLE : SITE PLAN	ARCHITECT : ZS	DRAWN : ZS	SCALE : AS GIVEN
A		STRUCTURAL DRAWINGS		A.CHECKER :-	DATE : 20 FEB 2022	SHEET NO :
B		CLIENT : M.MULI COUNCIL		ENGINEER : AH	PROJECT NO : -	S - 08A / 08
C				S.CHECKER :-		
D						