

Project Title:

FSM EASYFILL AT GN.FUVAHMULH

Design Approval:

Recm. Approval:

Approved:

Sheet Contents:

Revision Notes:

Location:

Island:

Designed by:

Ahmed Nisham Hassan

Drawn by:

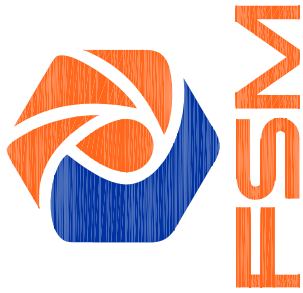
Ahmed Nisham Hassan

Project Code:

Date: 5/07/2022

Sheet No: 1

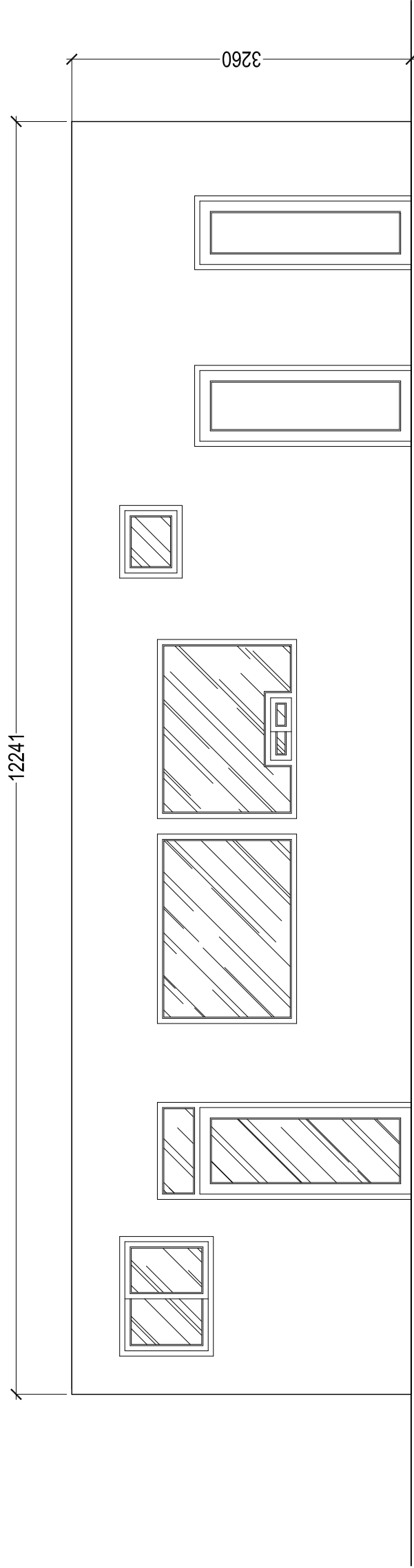
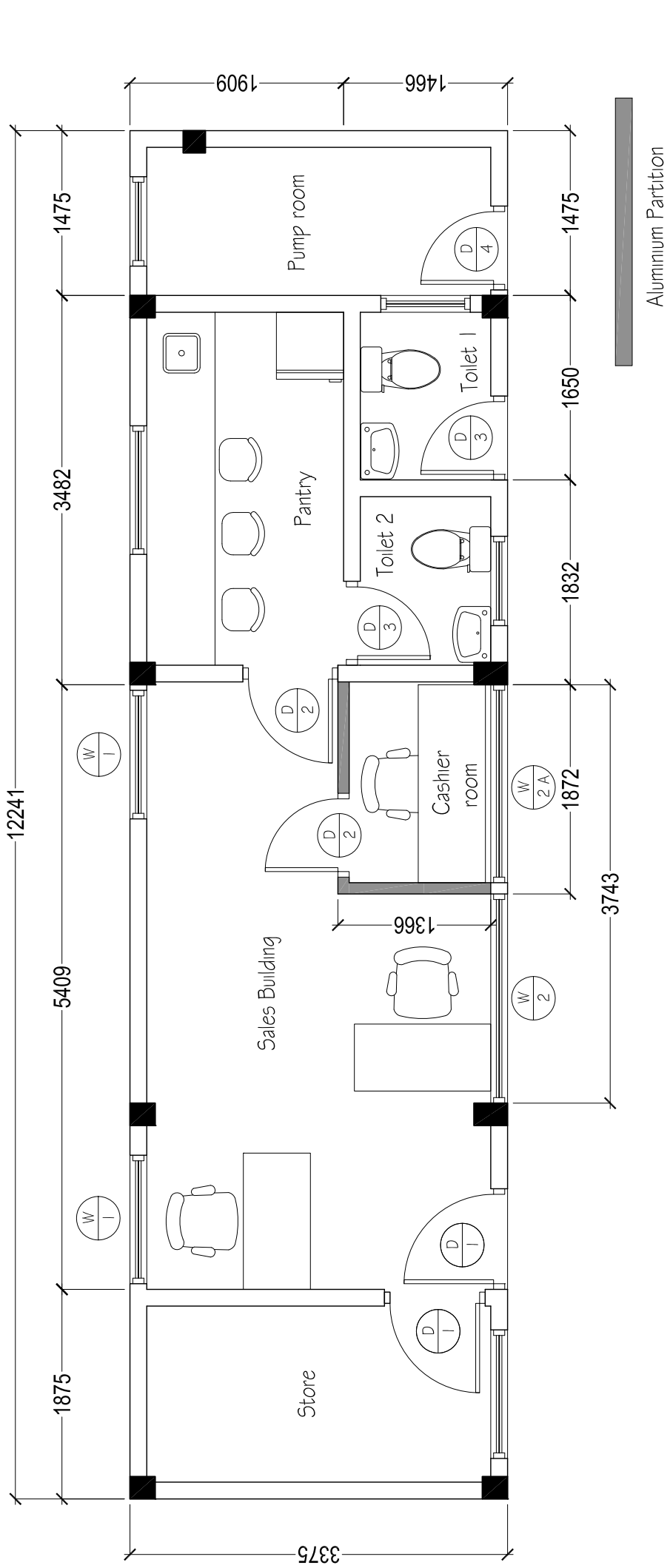
The contractors must check all dimensions on site prior to the commencement of any work.



Fuel Supplies Maldives Pvt. Ltd
FSM Building, 4th Floor, Block - A, 200232,
Boduthakuruhanu Magu, Male, Maldives



The drawing, concept and design contained are the properties of Fuel Supplies Maldives Pvt. Ltd. Use of any kind or copy of whole or part of this drawing, concept or design or use on other projects or sites other than that specified on this drawing is strictly prohibited.



SALES BUILDING FRONT VIEW

SCALE: N.T.S.

Project Title:

**FSM EASYFILL
AT
GN.FUVAHMULH**

Design Approval:

Recom. Approval:

Approved:

Sheet Contents:

Revision Notes:

Location:

Island:

Designed by:

Ahmed Nisham Hassan

Drawn by:

Ahmed Nisham Hassan

Project Code:

Date: 5/07/2022

Sheet No: 1

The contractors must check all dimensions on site prior to the commencement of any work.

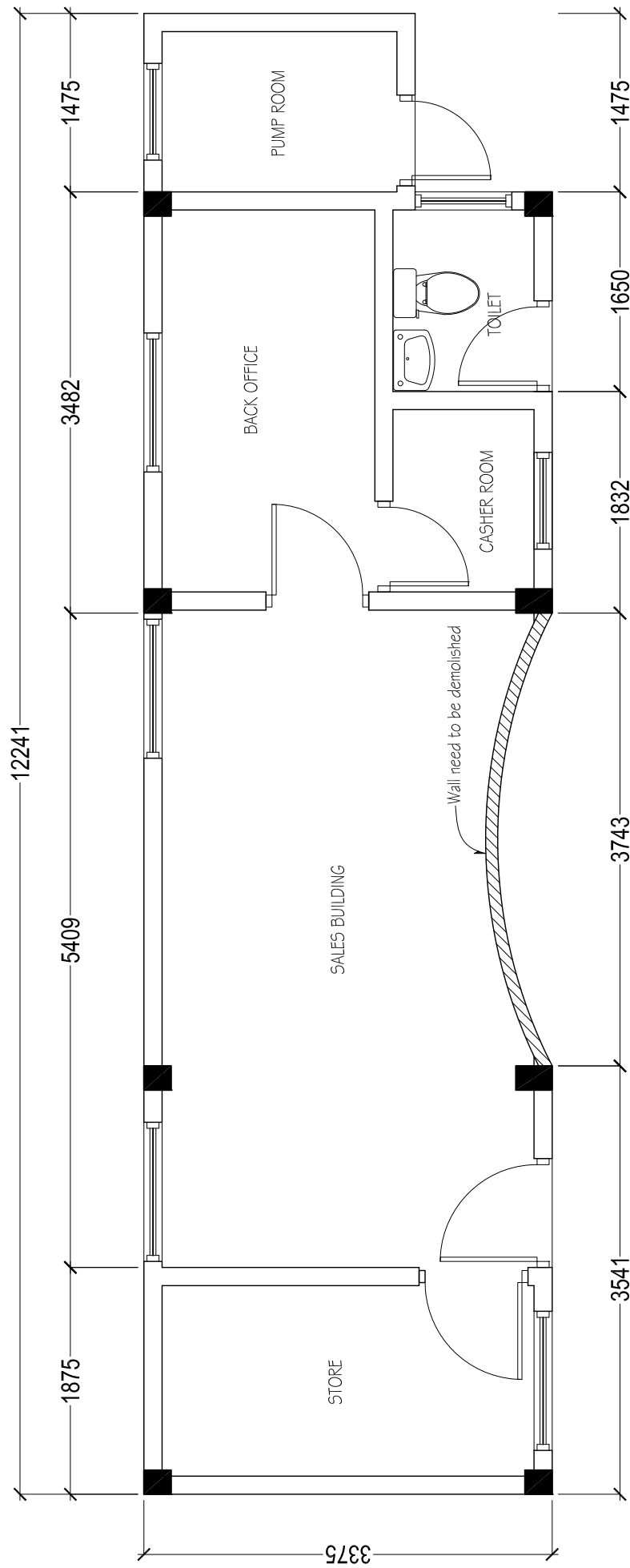


FSM

Fuel Supplies Maldives Pvt. Ltd
FSM Building, 4th Floor, Block - A, 200232,
Boduthakuruhanu Magu, Male, Maldives



The drawing, concept and design contained are the properties of Fuel Supplies Maldives Pvt. Ltd. Use of any kind or copy of whole or part of this drawing, concept or design or use on other projects or sites other than that specified on this drawing is strictly prohibited.



EXISTING FLOOR PLAN
SCALE: N.T.S

Project Title:

FSM EASYFILL AT GN.FUVAHMULH

Design Approval:

.....

Recm. Approval:

.....

Approved:

.....

Sheet Contents:

.....

.....

Revision Notes:

.....

.....

Location:

Island

Designed by:

Ahmed Nisham Hassan

Drawn by:

Ahmed Nisham Hassan

Project Code:

5/07/2022

Date:

Sheet No: 1

The contractors must check all dimensions on site prior to the commencement of any work.

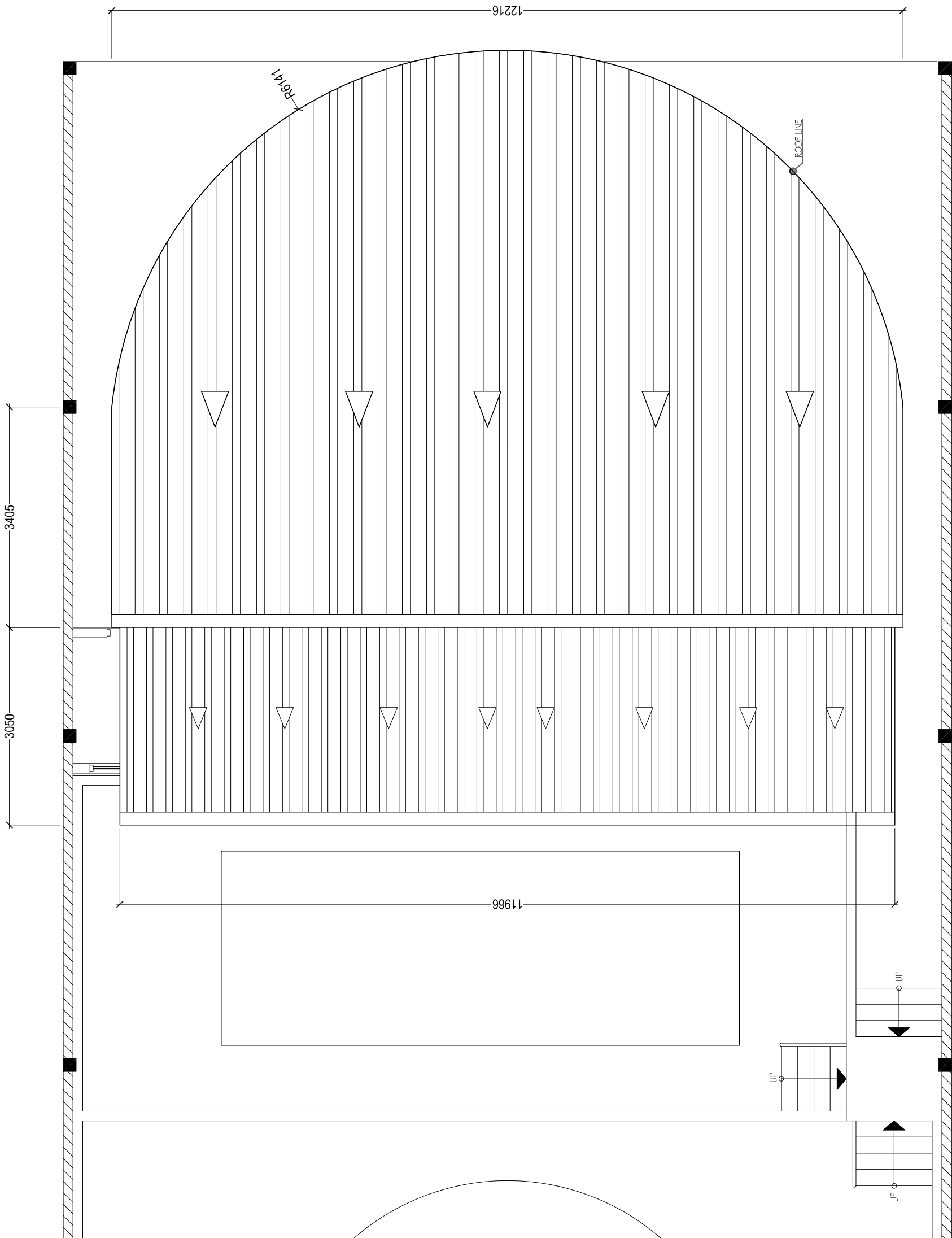


FSM

Fuel Supplies Maldives Pvt. Ltd
FSM Building, 4th Floor, Block - A, 200232,
Bodunhakunfaanu Magu, Male', Maldives



The drawing, concept and design contained are the properties of Fuel Supplies Maldives Pvt. Ltd. Use of any kind or copy of whole or part of this drawing, concept or design or use on other projects or sites other than that specified on this drawing is strictly prohibited.



ROOF PLAN
SCALE: N.T.S.

Project Title:

**FSM EASYFILL
AT
GN.FUVAHMULH**

Design Approval:

.....

Recom. Approval:

.....

Approved:

.....

Sheet Contents:

.....

Revision Notes:

.....

Location:

Island:

Designed by:

Ahmed Nisham Hassan

Drawn by:

Ahmed Nisham Hassan

Project Code:

5/07/2022

Sheet No: 1

The contractors must check all dimensions on site prior to the commencement of any work.



FSM

Fuel Supplies Maldives Pvt.Ltd
FSM Building,4th Floor,Block - A, 200232,
Bodunhakurufoanu Magu, Male', Maldives



The drawing, concept and design contained are the properties of Fuel Supplies Maldives Pvt. Ltd. Use of any kind or copy of whole or part of this drawing, concept or design or use on other projects or sites other than that specified on this drawing is strictly prohibited.

<p>ALUMINUM FRAMED WHITE WITH CLEAR GLASS</p>	<p>ALUMINUM FRAMED WHITE WITH CLEAR GLASS</p>	<p>ALUMINUM FRAMED WHITE WITH WHITE CLADDING</p>	<p>ALUMINUM FRAMED WHITE WITH WHITE CLADDING</p>
<p>6mm THK. TINTED GLAZED WHITE WINDOW PANEL SLIDING DOOR</p>	<p>6mm THK. FIXED TINTED GLAZED WHITE WINDOW PANEL</p>	<p>6mm THK. FIXED TINTED GLAZED WHITE WINDOW PANEL WITH SLIDING DOOR</p>	<p>6mm THK. FIXED TINTED GLAZED WHITE WINDOW PANEL WITH SLIDING DOOR</p>

KEY:

G	- Glass
AL	- White Aluminum cladding on both sides

NOTE:

ALL MEASUREMENTS TO BE CHECKED ON SITE BEFORE FABRICATION

SCHEDULE OF DOORS & WINDOWS

SCALE:

1:50M.

Project Title:

**FSM EASYFILL
AT
GN.FUVAHMULH**

Design Approval:

.....

Recam. Approval:

.....

Approved:

.....

Sheet Contents:

.....

.....

Revision Notes:

.....

.....

.....

Location:

.....

Island

.....

Designed by:

Ahmed Nisham Hassan

Drawn by:

Ahmed Nisham Hassan

Project Code:

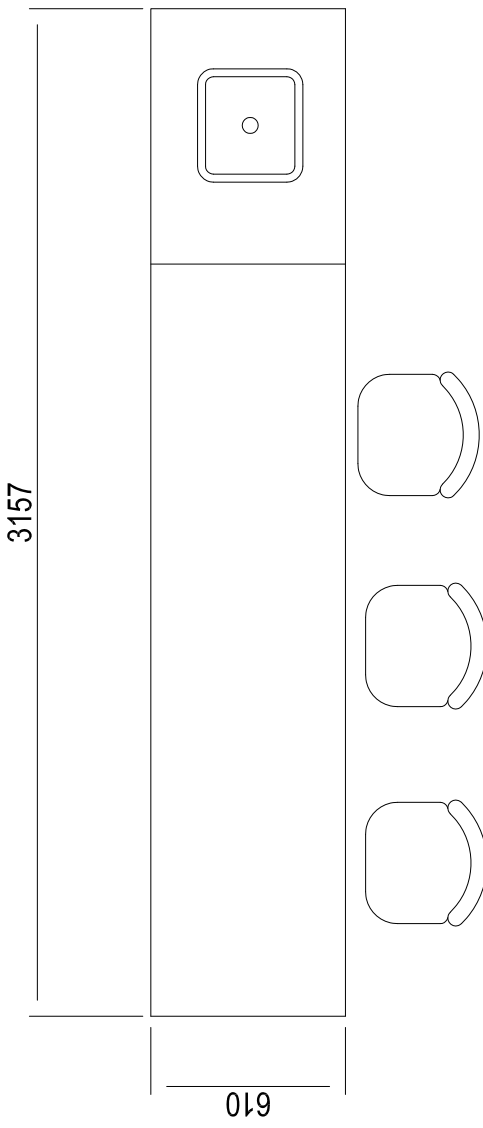
5/07/2022

Sheet No: 1

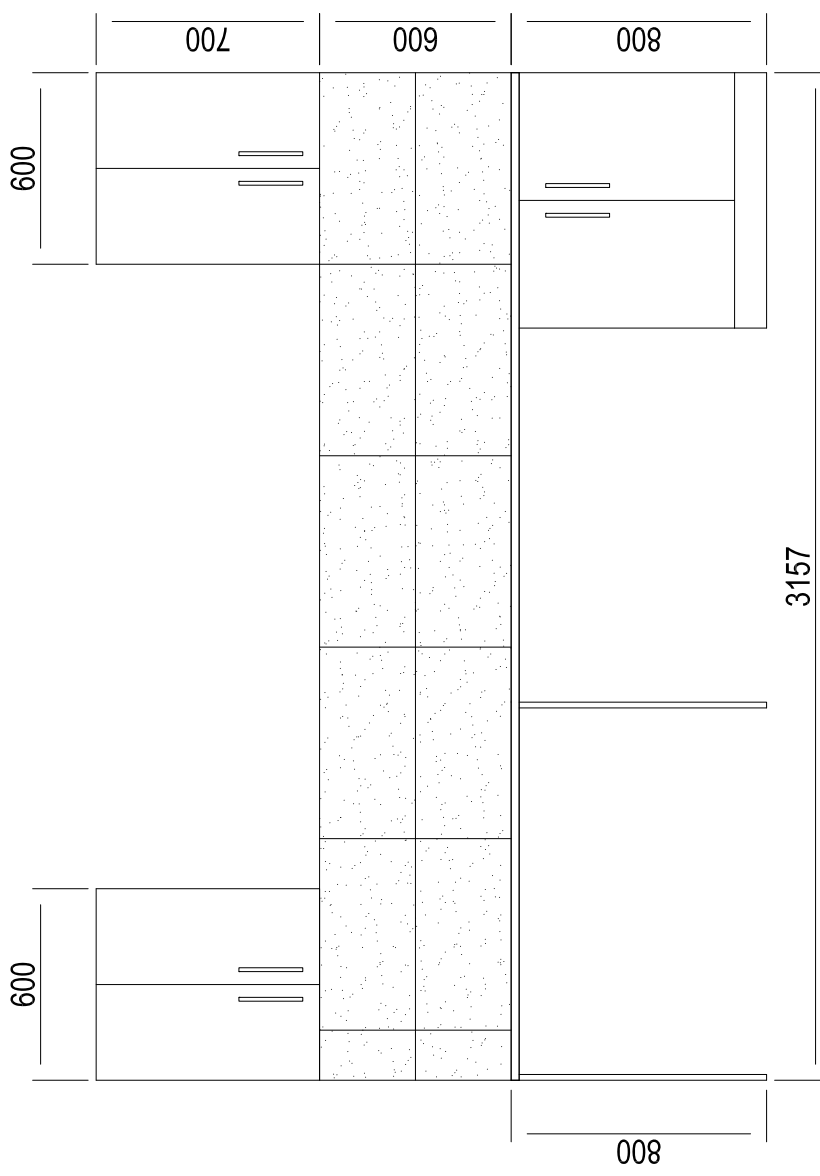
The contractors must check all dimensions on site prior to the commencement of any work.



The drawing, concept and design contained are the properties of Fuel Supplies Maldives Pvt. Ltd. Use of any kind or copy of whole or part of this drawing, concept or design or use on other projects or sites other than that specified on this drawing is strictly prohibited.



TOP VIEW

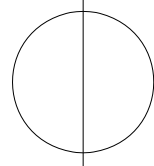


SIDE VIEW

PANTRY CUPBOARD

N.T.S

SCALE:



Project Title:

FSM EASYFILL AT GN.FUVAHMULH

Design Approval:

.....

Recm. Approval:

.....

Approved:

.....

Sheet Contents:

.....

.....

.....

Revision Notes:

.....

.....

Location:

.....

Island

.....

Designed by:

Ahmed Nisham Hassan

Drawn by:

Ahmed Nisham Hassan

Project Code:

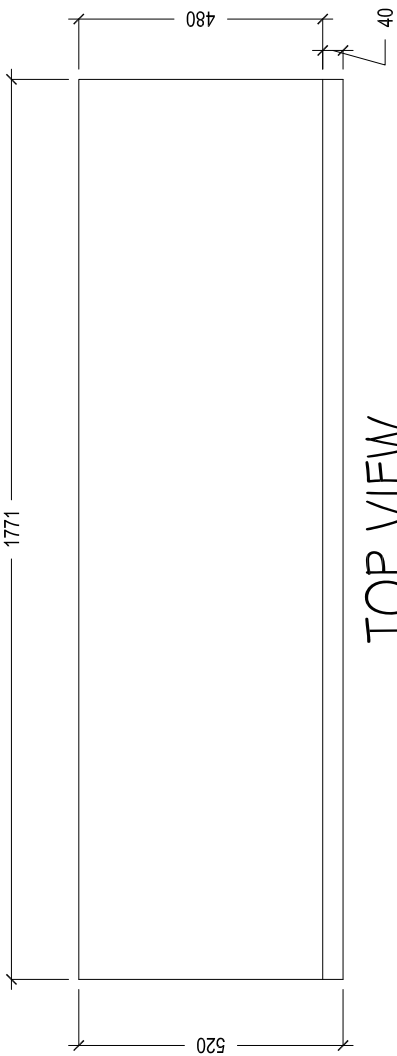
5/07/2022

Sheet No: 1

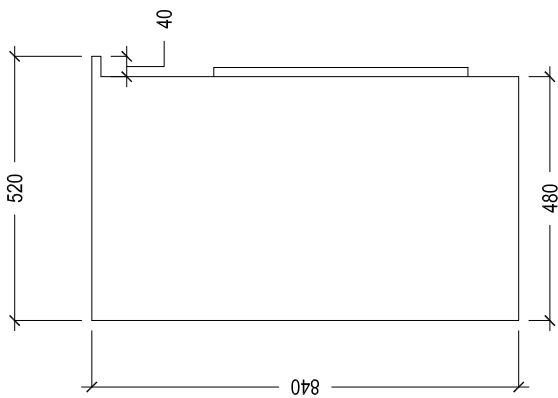
The contractors must check all dimensions on site prior to the commencement of any work.



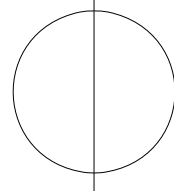
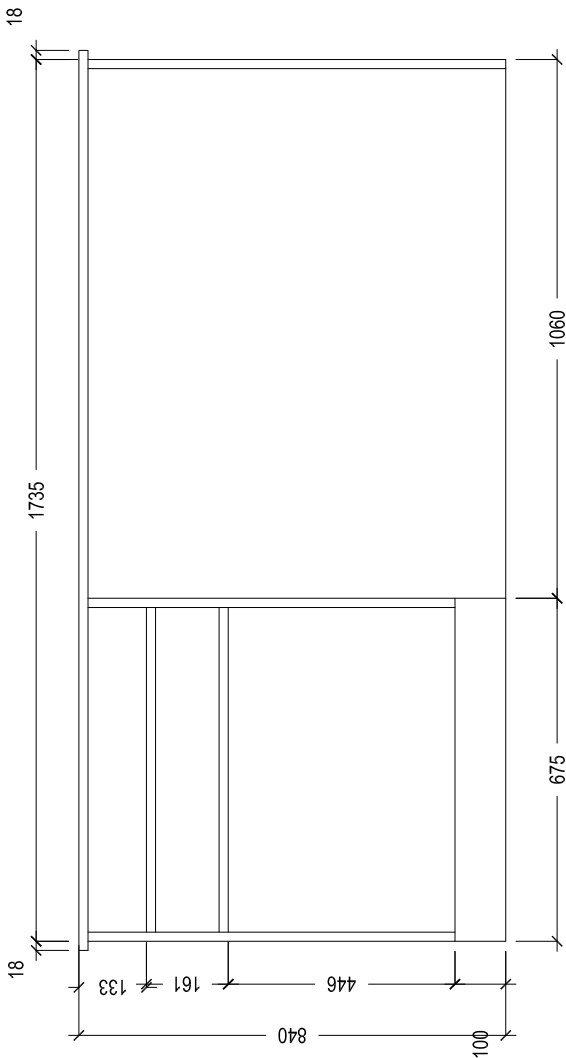
The drawing, concept and design contained are the properties of Fuel Supplies Maldives Pvt. Ltd. Use of any kind or copy of whole or part of this drawing, concept or design or use on other projects or sites other than that specified on this drawing is strictly prohibited.



TOP VIEW



SIDE ELEVATION



PANTRY CUPBOARD

SCALE:

N.T.S