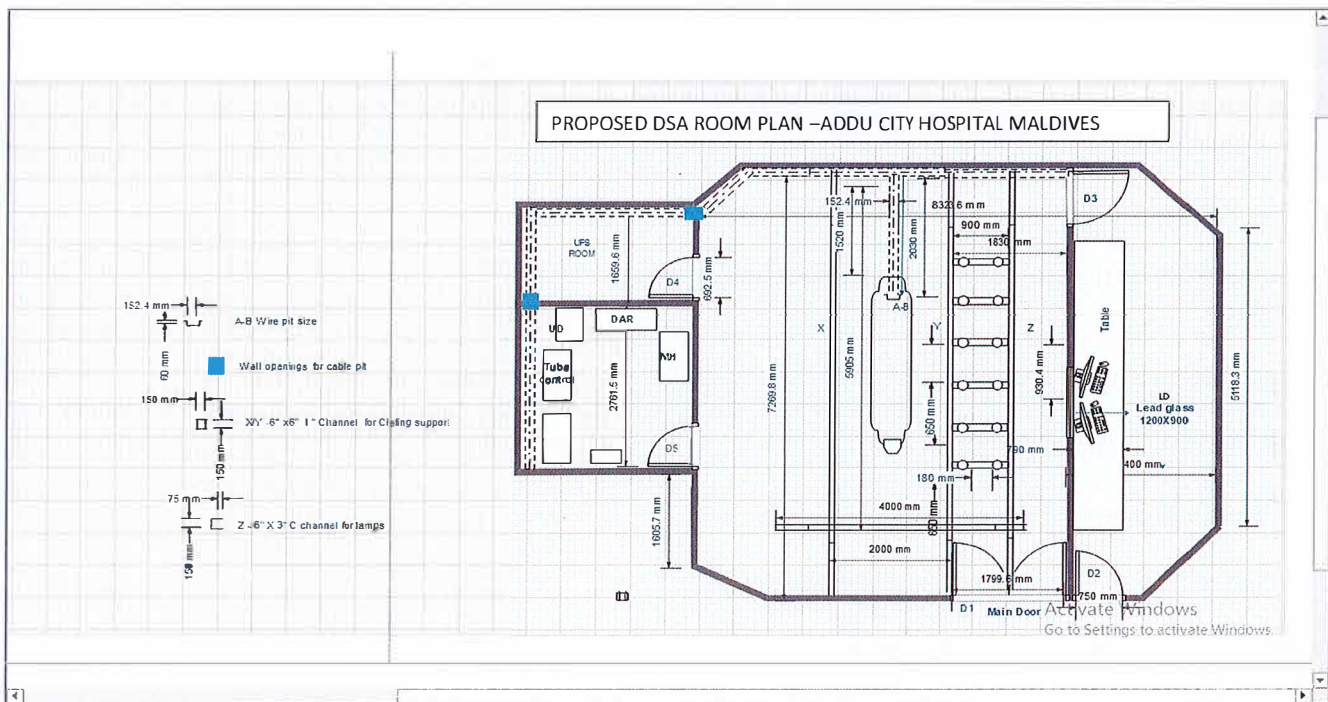
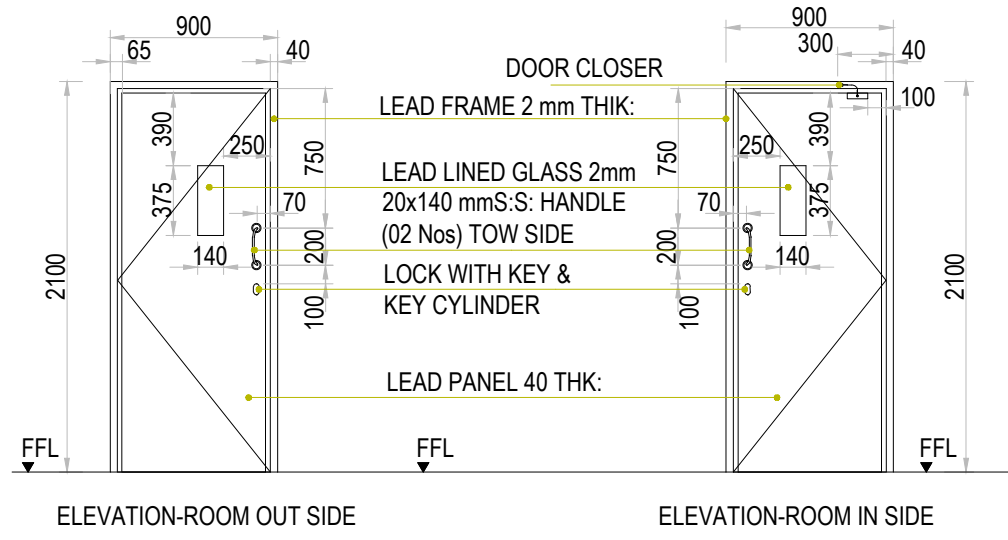


ANNEX 1

A. Installation requirements, space requirements, environmental, physical, mechanical, electrical etc.

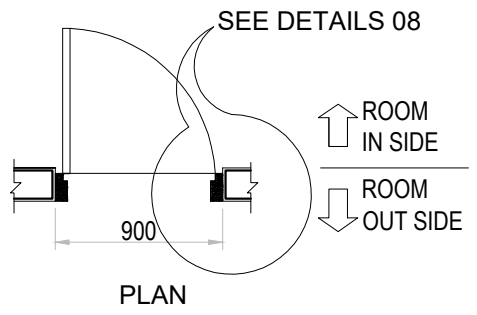
Installation Layout



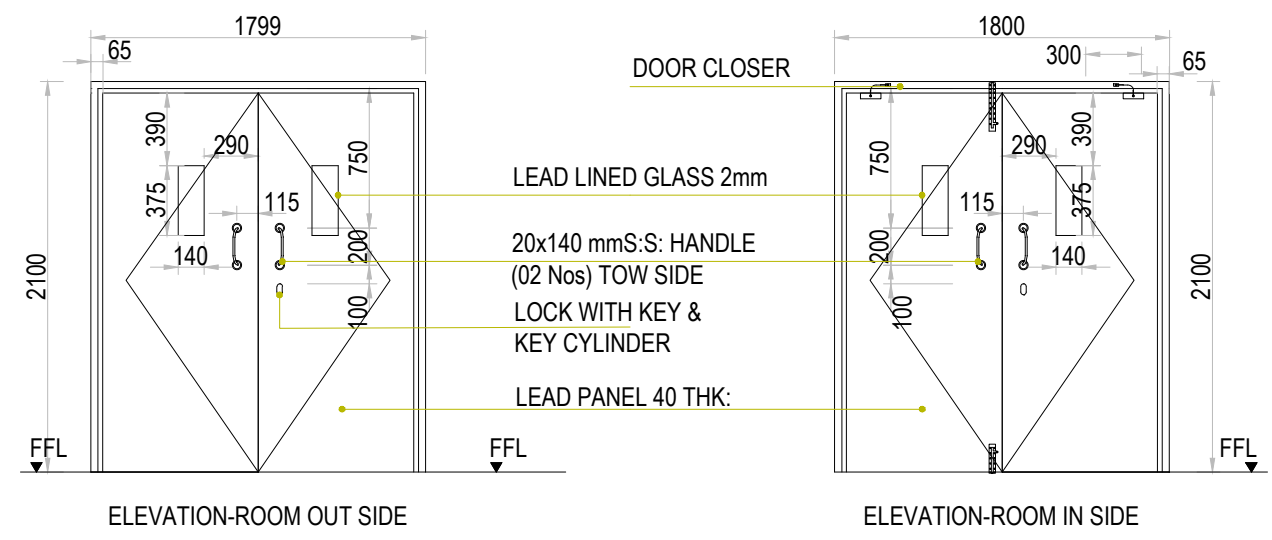


ELEVATION-ROOM OUT SIDE

ELEVATION-ROOM IN SIDE

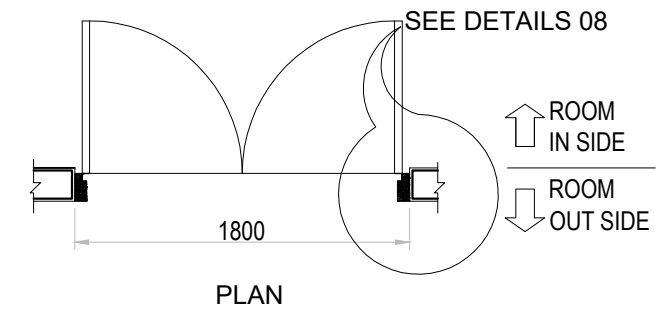


PLAN



ELEVATION-ROOM OUT SIDE

ELEVATION-ROOM IN SIDE



PLAN

D2,D3	LEAD LINED FRAME 2mm THIK: (SINGLE SWING)
QTY - 02 Nos	(GALVANIZED FRAME)
LOCATION	CATHLAB
ITEM NO	
MATERIAL	TIMBER , LED FRAME SS
COLOR FRAME	PRODUCT : NIPPON PAINT CODE : BODELAC 9000 COLOR : 9054 (BRIGHT BROWN)
COLOR PANEL	PRODUCT : ULTRAN LASUR (WOOD CARE) CODE : EL-501 LS COLOR : 501 WALNUT BROWN
HARDWARE	1)HINGES 124 X 80 X 3 MM = 04 Nos. 2)AVIVO DOOR HANDLE= 02 Nos. 3)LOCK WITH KEY & KEY HANDLE = 01 Nos

D1	LEAD LINED FRAME 2mm THIK: (SINGLE SWING)
QTY - 01 Nos	(GALVANIZED FRAME)
LOCATION	CATHLAB ENTRANCE
ITEM NO	
MATERIAL	TIMBER , LED FRAME SS
COLOR FRAME	PRODUCT : NIPPON PAINT CODE : BODELAC 9000 COLOR : 9054 (BRIGHT BROWN)
COLOR PANEL	PRODUCT : ULTRAN LASUR (WOOD CARE) CODE : EL-501 LS COLOR : 501 WALNUT BROWN
HARDWARE	1)HINGES 124 X 80 X 3 MM = 04 Nos. 2)AVIVO DOOR HANDLE= 02 Nos. 3)LOCK WITH KEY & KEY HANDLE = 01 Nos

