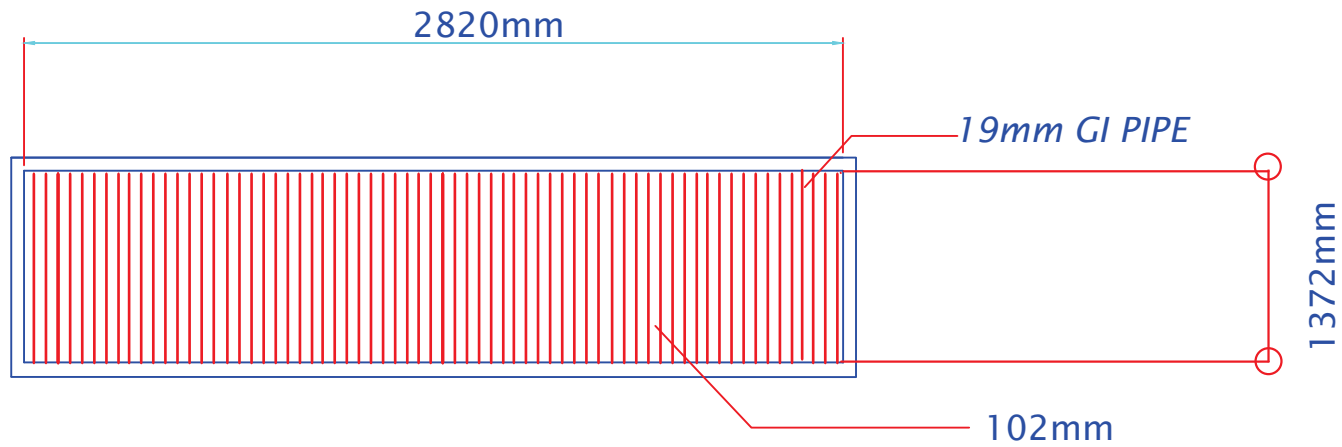


Fence reinforcement details



Total number of blocks to reinforce: 36

Distance between each pipe: 102mm (center to center)