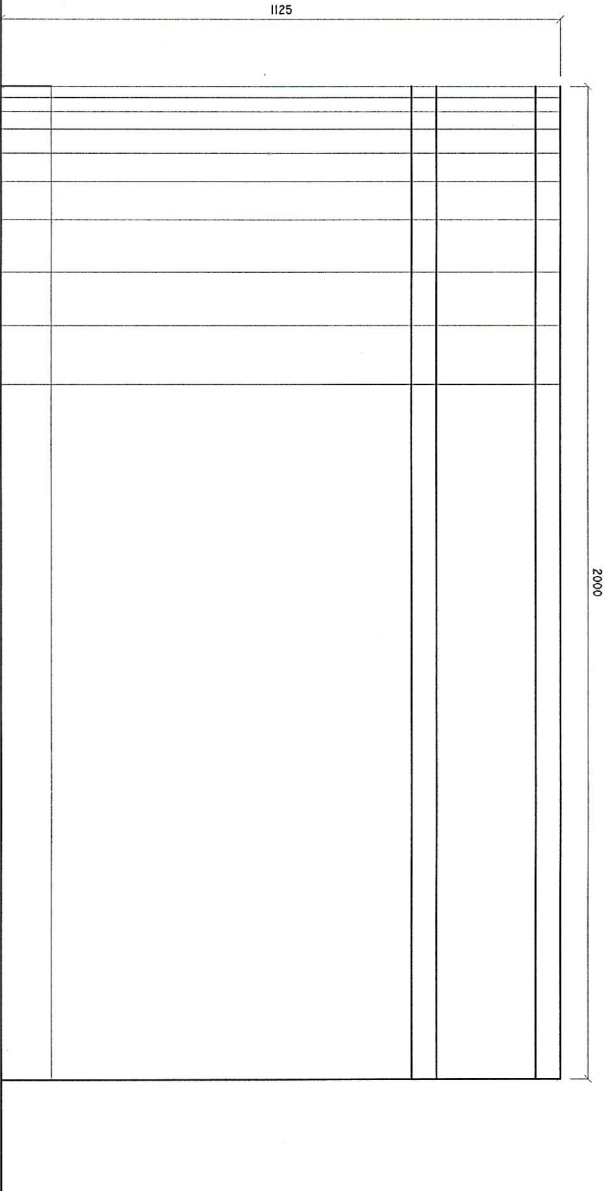


NURSE STATION FRONT VIEW

SCALE: 1 : 10



SHEET CONTENTS :

REVISION NOTES:

PROJECT:
 PROPOSED ER AT ADH,
 MAMIGILLI HEALTH
 CENTER

CLIENT:
 MINISTRY OF HEALTH

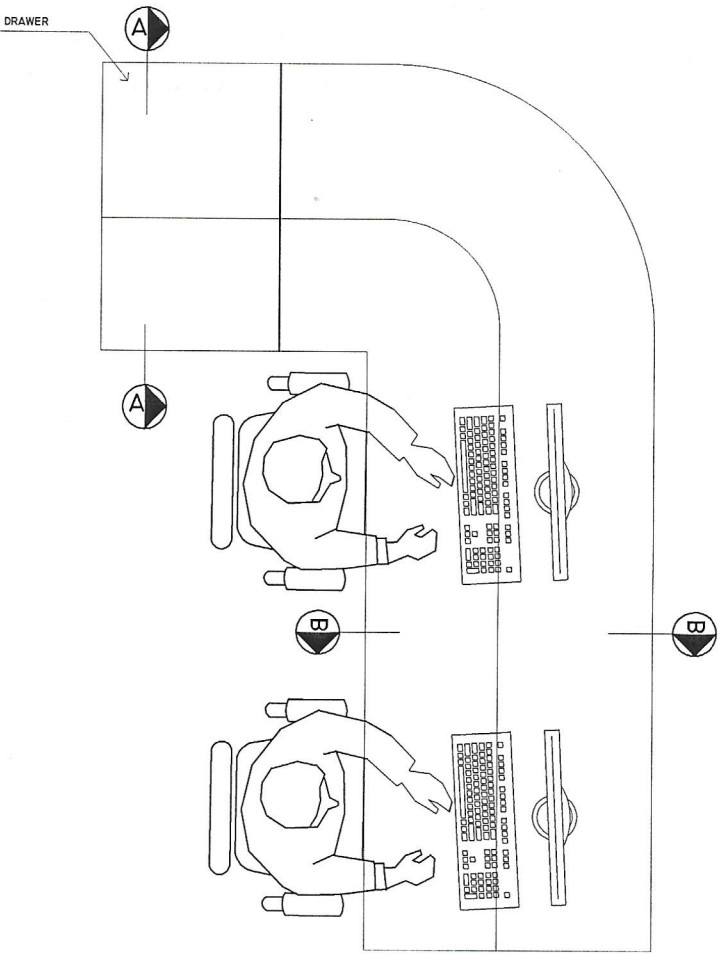
LOCATION:
 ADH, MAMIGILLI

CONTENTS: AS GIVEN

PROJECT MANAGER:
 DESIGNER: JAZZ
 CIVIL/STR. ENGINEER:
 SUPERVED BY: -
 DRAWN BY: JAZZ
 CHECKED BY:
 DATE: MAY 2019
 SHEET NO. : /

ADHUN DIVISION
 7th Floor, 9th Building
 "Sooma Migoo"
 Tel: 332 8887, Fax: 3328889

NURSE STATION PLAN
SCALE: 1 : 10



SHEET CONTENTS :

REVISION NOTES:

PROJECT:
 PROPOSED ER AT ADH,
 MAAMIGILI HEALTH
 CENTER

CLIENT:
 MINISTRY OF HEALTH

LOCATION:
 ADH, MAAMIGILI

CONTENTS: AS GIVEN

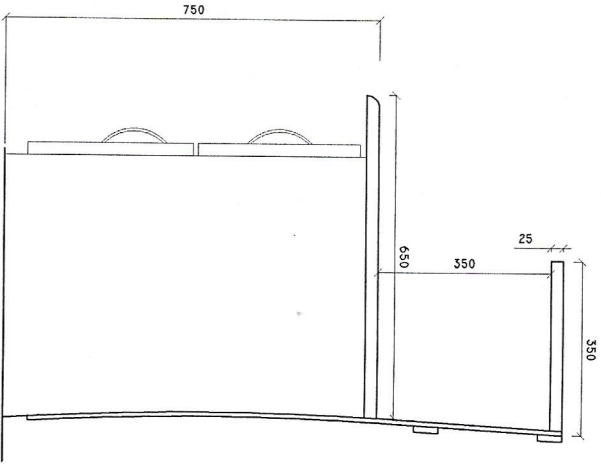
PROJECT MANAGER:
 DESIGNER: ANZ
 CIVIL/STR. ENGINEER:
 SURVEYED BY:-
 DRAWN BY: ANZ
 CHECKED BY:
 DATE: MAY 2019
 SHEET NO. : /



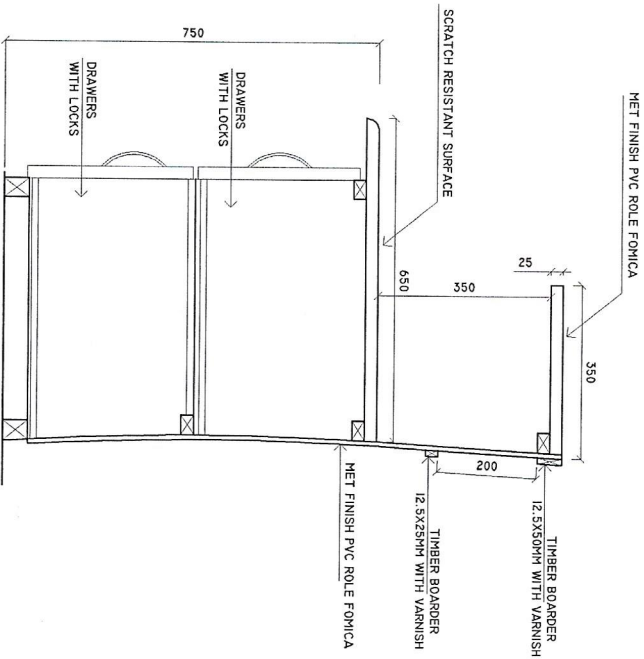
ADAMU DUYSSON
 Ministry of Health
 Sultan Majeed
 P.O. Box 3328887, Fax: 3328889



REGISTRATION COUNTER SECTION B-B
SCALE: 1 : 10



REGISTRATION COUNTER SECTION A-A
SCALE: 1 : 10



SHEET CONTENTS :

REVISION NOTES

PROJECT:
PROPOSED ER AT ADH,
MAAMIGILI HEALTH
CENTER

CLIENT:
MINISTRY OF HEALTH

LOCATION:
ADH, MAAMIGILI

CONTENTS: AS GIVEN

PROJECT MANAGER:

DESIGNER: ABZ

DIV/STR. ENGINEER:

SUPERVED BY: -

DRAWN BY: ABZ

CHECKED BY:

DATE: MAY 2019

SHEET NO. : /



ADMIN DIVISION
Ministry of Health
Rosemead Building
7th, 333 BMT, P.O. 324689