



Metra[®]
Marine

OUTFIT YOUR MARINE VESSEL

FUN | SAFETY | CONVENIENCE

LED LIGHTBARS

TRANSOM LED LIGHTS

RGB ACCENT LIGHTS

LED CUBE LIGHTS



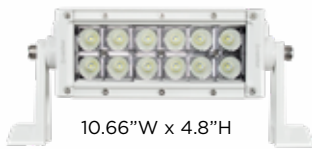
WARNING: This catalog does not advise whether a State of California Proposition 65 warning is required for a particular item of merchandise. To learn whether a particular item of merchandise requires a California Proposition 65 warning, please be sure to look up and read the particular merchandise's listing on Metra's website www.MetraOnline.com, as well as read the particular merchandise's packaging. When a California Proposition 65 warning is present on Metra's website listing for the particular merchandise, or on the particular merchandise's packaging, a compliant California Proposition 65 warning is to be provided to the purchasing California consumer prior to the sale of the particular merchandise.

CONTENTS

LED LIGHTBARS	4-5
LED CUBE LIGHTS	6-7
TRANSOM LED LIGHTS	8-10
DRAIN PLUG LIGHTS	11
ACCENT LIGHTS & ACCESSORIES	12-14
LED STRIP LIGHTS	15
LED WHIPS.....	16
AUDIO ACCESSORIES.....	17-23
HDMI®	24-25
BATTERIES	26
POWER SUPPLY	27
TRAILER ACCESSORIES.....	28-30
INSTALLATION ACCESSORIES	30-33
FUSE BLOCKS	34-35
HARDWARE	36-39
TOOLS	40-46

LED STRIP LIGHTS

LED LIGHTBARS



10.66"W x 4.8"H

8" LED LIGHTBAR DUAL ROW

- Wattage: 36W
- Raw Lumens: 2880lm
- Lux @ 10M: 215
- Current Consumption @ 13.8V: 1.9A
- IP Rating: IP68
- Hole Dimensions:
Bracket Turned In: 7.25"
Brackets Turned Out: 9.5"

HE-MDR8

★ IP68 ★
CERTIFIED



16.69"W x 4.8"H

14" LED LIGHTBAR DUAL ROW

- Wattage: 72W
- Raw Lumens: 5760lm
- Lux @ 10M: 466
- Current Consumption @ 13.8vV: 3.7A
- IP Rating: IP68
- Hole Dimensions:
Bracket Turned In: 13.5"
Brackets Turned Out: 15.75"

HE-MDR14

★ IP68 ★
CERTIFIED



16.69"W x 4.8"H

14" LED LIGHTBAR SINGLE ROW

- Wattage: 60W
- Raw Lumens: 4800lm
- Lux @ 10M: 450
- Current Consumption @ 13.8V: 3.7A
- IP Rating: IP68
- Hole Dimensions:
Bracket Turned In: 13.5"
Brackets Turned Out: 15.75"

HE-MSR14

★ IP68 ★
CERTIFIED



24.72"W x 4.8"H

20" LED LIGHTBAR DUAL ROW

- Wattage: 108W
- Raw Lumens: 8640lm
- Lux @ 10M: 612
- Current Consumption @ 13.8V: 5.7A
- IP Rating: IP68
- Hole Dimensions:
Bracket Turned In: 19.5"
Brackets Turned Out: 21.75"

HE-MDR20

★ IP68 ★
CERTIFIED

INPUT VOLTAGE: 10-30V DC
COLOR TEMPERATURE: 6000K
BEAM PATTERN COMBO:
 Flood 90° and Spot 8°
HOUSING MATERIAL:
 Die-Cast Aluminum
COLOR: White Coating with UV

MEMBRANE: Gore
LENS MATERIAL: PC
MOUNTING BOLT DRILL: 0.25"
MOUNTING BRACKET:
 Die-Cast Aluminum
HEIGHT OF LIGHTBAR: 3"

DEPTH OF LIGHTBAR: 3.5"
ELECTRONICS:
 Integrated-Epoxy Encapsulated
HARDWARE: 316 Stainless
OPERATING TEMPERATURE:
 -40°F to +140°F
PROTECTION: Reverse Polarity

LED LIGHTBARS



34.88"W x 4.8"H

30" LED LIGHTBAR DUAL ROW



- Wattage: 180W
- Raw Lumens: 14400lm
- Lux @ 10M: 625
- Current Consumption @ 13.8V: 9.5A
- IP Rating: IP67
- Hole Dimensions:
Bracket Turned In: 31"
Brackets Turned Out: 33.5"

HE-MDRC30



44.76"W x 4.8"H

42" LED LIGHTBAR DUAL ROW



- Wattage: 240W
- Raw Lumens: 19200lm
- Lux @ 10M: 780
- Current Consumption @ 13.8V: 12A
- IP Rating: IP67
- Hole Dimensions:
Bracket Turned In: 41"
Brackets Turned Out: 43.5"

HE-MDRC42

ADDITIONAL ACCESSORIES

UNIVERSAL LIGHTBAR BRACKETS

- 8", 22" and 32" sizes



MPS-B01



MPS-B02



MPS-B03

INPUT VOLTAGE: 10-30V DC
COLOR TEMPERATURE: 6000K
BEAM PATTERN COMBO:
Flood 90° and Spot 8°
HOUSING MATERIAL:
Die-Cast Aluminum
COLOR: White Coating with UV

MEMBRANE: Gore
LENS MATERIAL: PC
MOUNTING BOLT DRILL: 0.25"
MOUNTING BRACKET:
Die-Cast Aluminum
HEIGHT OF LIGHTBAR: 3"

DEPTH OF LIGHTBAR: 3.5"
ELECTRONICS:
Integrated-Epoxy Encapsulated
HARDWARE: 316 Stainless
OPERATING TEMPERATURE:
-40°F to + 140°F
PROTECTION: Reverse Polarity

CUBE LED LIGHTS

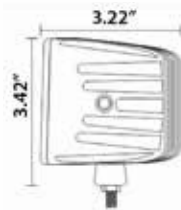
★ IP68 ★
CERTIFIED

3" CUBE LIGHT 6 LED

- Wattage: 18W
- Raw Lumens: 1440lm
- Lux @ 10M: 18
- Current Consumption @ 13.8V: 1.2A
- IP Rating: IP68
- Beam Pattern: Flood 90°
- Mounting Bracket: Stainless Steel

HE-MCL32PK 2 light pair

HE-DLWH1 dual light wiring harness included with 2 pack

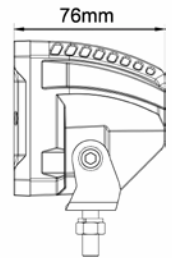


★ IP68 ★
CERTIFIED

3" CUBE LIGHT 4 LED

- Wattage: 12W
- Raw Lumens: 960lm
- Lux @ 10M: 34
- Current Consumption @ 13.8V: 0.7A
- IP Rating: IP68
- Beam Pattern: Flood 90°
- Mounting Bracket: Stainless Steel

HE-MHCL2



ACCENT CAPS

Customize your lights with included color accent caps!

ACCESSORIES INCLUDED



PIGTAIL

Included with all marine high output cube LED lights

ADDITIONAL ACCESSORIES



CUBE PROTECTIVE LENS COVERS

- Polycarbonate protective lens
- Use with 3" cube lights

- HE-CLLA** Amber
- HE-CLLBK** Black
- HE-CLLC** Clear
- HE-CLLR** Red
- HE-CLLG** Green
- HE-CLLBL** Blue

ROLL BAR MOUNTS

- Powder coated black
- Rubber insert



MPS-C02 3" MPS-C04 2" MPS-C03 1.1875"

FLUSH MOUNT CUBE LED LIGHTS



★ IP68 ★
CERTIFIED

3" FLUSH MOUNT CUBE LIGHT 4 LED

- Wattage: 12W
- Raw Lumens: 960lm
- Lux @ 10M: 17
- Current Consumption @ 13.8V: 0.9A
- IP Rating: IP68
- Beam Pattern: Flood 90°
- Mounting Bracket: Flush Mount

HE-MFMCL2

Includes gasket and cut out template



★ IP68 ★
CERTIFIED

3" FLUSH MOUNT CUBE LIGHT 6 LED

- Wattage: 18W
- Raw Lumens: 1440lm
- Lux @ 10M: 18
- Current Consumption @ 13.8V: 1.2A
- IP Rating: IP68
- Beam Pattern: Flood 90°
- Mounting Bracket: Flush Mount

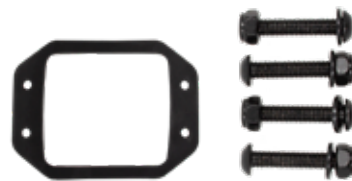
HE-MFMCL3

Includes gasket and cut out template

ACCESSORIES INCLUDED

GASKETS AND SCREWS

- Included with all flush mount cube LED lights



INPUT VOLTAGE: 10-30V DC

COLOR TEMPERATURE: 6000K

HOUSING MATERIAL:
Die-Cast Aluminum

COLOR: White Coating with UV

LENS MATERIAL: PC

ELECTRONICS:
Integrated-Epoxy Encapsulated

HARDWARE: 316 Stainless

OPERATING TEMPERATURE:
-40°F to +140°F

PROTECTION: Reverse Polarity

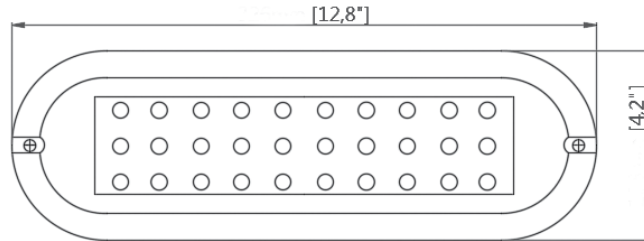
TRANSOM LED LIGHTS

★ IP68 ★
CERTIFIED

90W UNDERWATER TRANSOM LIGHT BLUE

- (30) 3-watt LEDs

ML-BLU90W

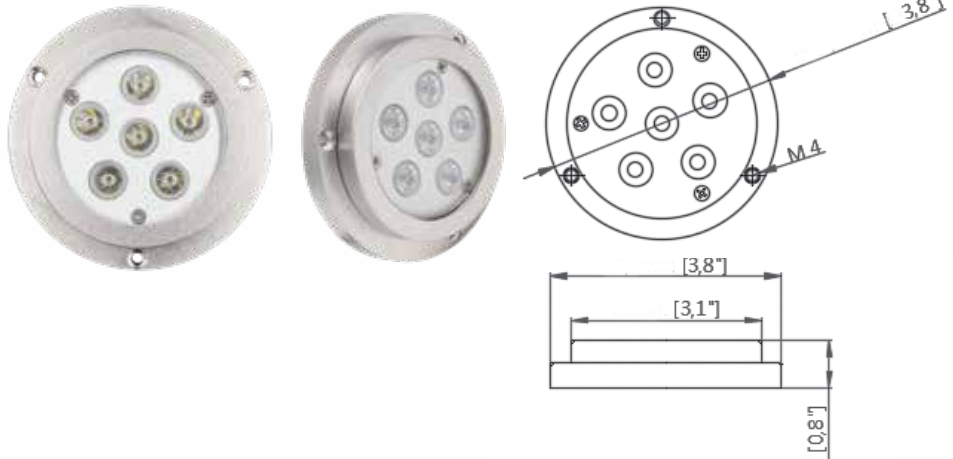


★ IP68 ★
CERTIFIED

24W UNDERWATER TRANSOM LIGHT RGBW

- (6) 4-watt LEDs
- 5-wire RGBW

ML-RGBW24W



★ IP68 ★
CERTIFIED

27W UNDERWATER TRANSOM LIGHT RGB

- (9) 3-watt LEDs
- 4-wire RGB

ML-RGB27W

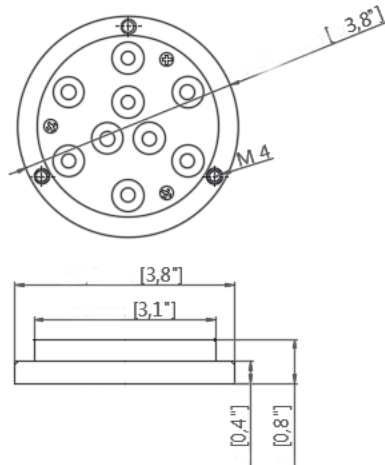


INPUT VOLTAGE: 10-30V DC

HOUSING MATERIAL: 316 Stainless

MOUNT: Surface

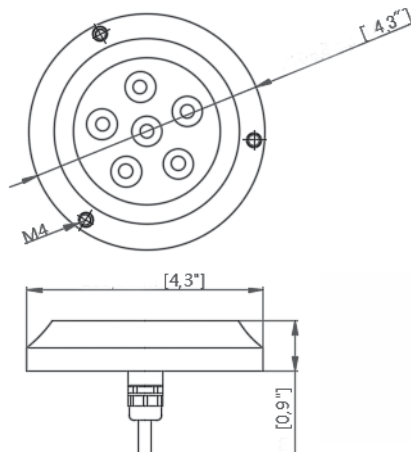
TRANSOM LED LIGHTS



**★ IP68 ★
CERTIFIED**
**27W UNDERWATER
TRANSOM LIGHT**

WHITE OR BLUE
• (9) 3-watt LEDs

ML-WHT27W White
ML-BLU27W Blue



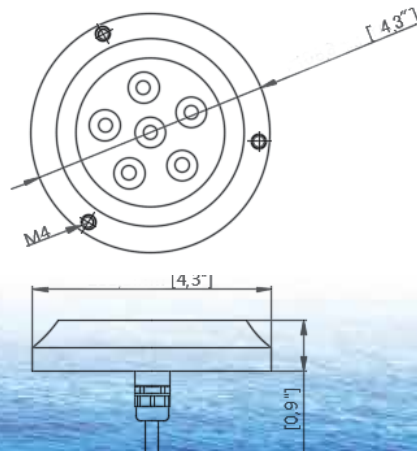
**★ IP68 ★
CERTIFIED**
**72W UNDERWATER
TRANSOM LIGHT**

RGBW
• (6) 12-watt LEDs
• 5-wire RGBW

ML-RGBW72W



RGBW
LEDS



**★ IP68 ★
CERTIFIED**
**54W UNDERWATER
TRANSOM LIGHT**

RGB
• (6) 9-watt LEDs
• 4-wire RGB

ML-RGB54W



RGB LEDS

INPUT VOLTAGE: 10-30V DC

HOUSING MATERIAL: 316 Stainless

MOUNT: Surface

TRANSOM LED LIGHTS

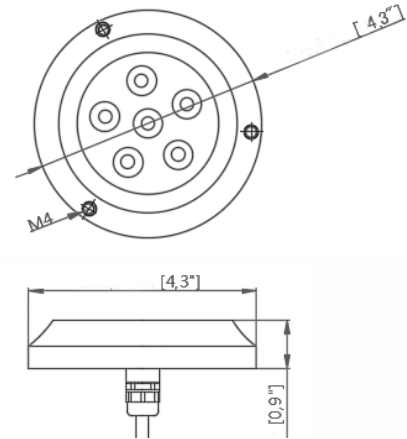
★ IP68 ★
CERTIFIED

30W UNDERWATER TRANSOM LIGHT WHITE OR BLUE

- (6) 5-watt LEDs

ML-WHT30W White

ML-BLU30W Blue

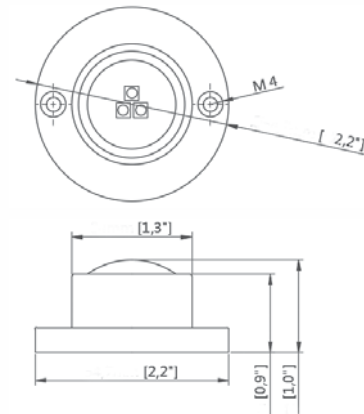


★ IP68 ★
CERTIFIED

15W UNDERWATER TRANSOM LIGHT RGB

- (3) 5-watt LEDs
- 4-wire RGB

ML-RGB15W



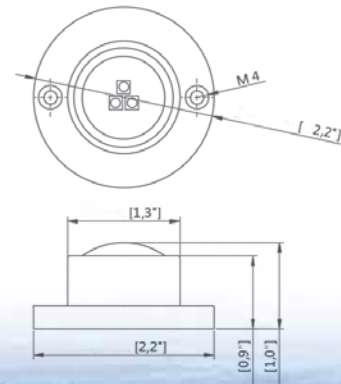
★ IP68 ★
CERTIFIED

15W UNDERWATER TRANSOM LIGHT WHITE OR BLUE

- (3) 5-watt LEDs

ML-WHT15W White

ML-BLU15W Blue

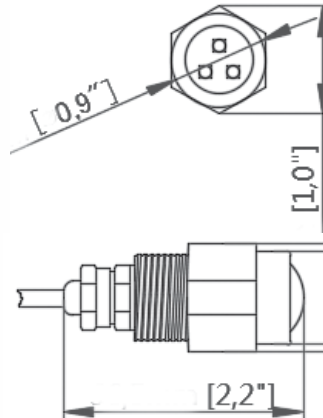


INPUT VOLTAGE: 10-30V DC

HOUSING MATERIAL: 316 Stainless

MOUNT: Surface

DRAIN PLUG LED LIGHTS



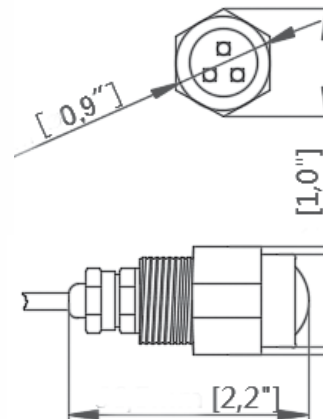
★ IP68 ★
CERTIFIED

9W SMALL DRAIN PLUG LIGHT

RGB

- (3) 3-watt LEDs
- 4-wire RGB

ML-DLRGB9W



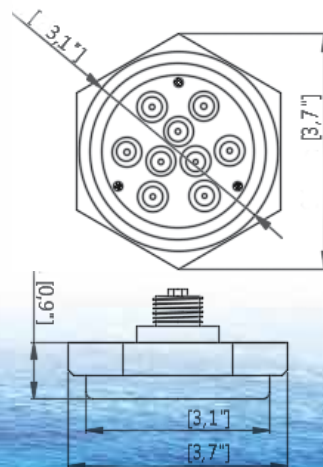
★ IP68 ★
CERTIFIED

9W SMALL DRAIN PLUG LIGHT

WHITE, BLUE OR GREEN

- (3) 3-watt LEDs

ML-DLWHT9W White
ML-DLBLU9W Blue
ML-DLGRN9W Green



★ IP68 ★
CERTIFIED

27W LARGE DRAIN PLUG LIGHT

RGB

- (9) 3-watt LEDs
- 4-wire RGB

ML-DLRGB27W



INPUT VOLTAGE: 10-30V DC

HOUSING MATERIAL:
Brass or 316 stainless

MOUNT: 1/2" NPT Threads
(no drilling required)

ACCESSORIES & ACCENT LIGHTS



8-GANG SWITCH PANEL

This 8-gang switch panel system allows you to control 8 auxiliary LED lights or electrical devices. You can now customize your switch panel according to your needs with 50 switch stickers, blue LED lights for back lighting and multi-position installation (2 brackets for panel, 1 bracket for control box, 60 amp circuit breaker and 7-gauge tinned copper battery cables).

HE-SWP8



FEATURES

- 8-gang switch panel with control box and cover
- Selectable switch operation; latching or momentary
- 50 switch labels for customization
- 60 amp resettable circuit breaker
- 6 extra fuses, power harness and battery cables
- 2 switch panel brackets and 1 control box bracket
- Mounting hardware, screws and zip ties included

SPECS

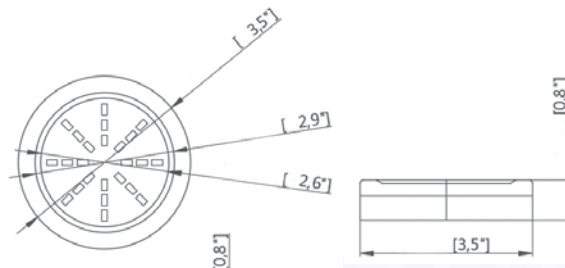
- Input Voltage: 12V / Power Handling: 600W
- Maximum Current: 60A
- Panel Material: Die-Cast Aluminum
- Control Box Material: Die-Cast Aluminum
- Control Box Cover: ABS Plastic
- Operating Temperature: - 40°F to 221°F
- Panel Size: 4.53" x 0.59" x 2.60"
- Circuit Box Size: 7.48" x 1.34" x 4.13"



FLUSH MOUNT CASE FOR 8-GANG SWITCH PANEL

- Fits HE-SWP8 switch panel (sold separately)
- Switch panel screws securely to the case box
- Included snap on trim plate for a clean installation
- Cut template and mounting hardware included

HE-SWP8C



★ IP68 ★
CERTIFIED

INTERIOR CABIN LIGHT WITH SWITCH

- (24) 3-watt LEDs

ML-CLWHT White
ML-CLBLU Blue

INPUT VOLTAGE: 10-30V DC

HOUSING MATERIAL: Aluminum

MOUNT: Surface

RGB ACCENT LIGHTS & LIGHT PODS



ACCENT LIGHTS KIT

3 LED • 8 PODS • 1.5" x 3"

- LEDs: (3) 3-watt each (9W)
- Raw Lumens: 720lm

★ IP68 ★
CERTIFIED



RGB LEDS

The HE-8MLRGBK is a complete kit to light up your boat. (8) HE-MLIRGB RGB accent lights and the HE-CBRGB control box will give you accent lighting where you want it.

HE-8MLRGBK



ACCENT LIGHTS KIT

3 LED • 4 PODS • 1.5" x 3"

- LEDs: (3) 3-watt each (9W)
- Raw Lumens: 720lm

★ IP68 ★
CERTIFIED



RGB LEDS

Designed as a starter kit, the HE-4MLRGBK allows you get the RGB lights in your boat without breaking the bank. This kit also allows you add up to four more HE-MLIRGB lights.

HE-4MLRGBK



HEISE RGB APP FOR ANDROID™ AND iOS®:

This app allows endless color choices and even allows you to store your custom made colors. Preset flash Patterns, light flashing to your music in your library, even have the lights turn on and off at selected times.



ADDITIONAL ACCESSORIES ACCENT LIGHTING COVER

The light cover is for use with the HE-4MLRGBK, HE-8MLRGBK, HE-MLIRGB

HE-ML1DIV



★ IP68 ★
CERTIFIED



RGB LEDS

RGB ACCENT LIGHT

3 LED • RGB POD • 1.5" x 3"

- LEDs: (3) 3-watt each (9W)
- Raw Lumens: 720lm

HE-MLIRGB



★ IP68 ★
CERTIFIED

ACCENT LIGHT

3 LED • SINGLE POD • 1.5" x 3"

- LEDs: (3) 5-watt each (15W)
- Raw Lumens: White: 1200lm/Color: 720lm

HE-ML1 White



HE-ML1B Blue

INPUT VOLTAGE: 10-30V DC

BEAM PATTERN: Flood 120°

HOUSING MATERIAL:
White Die-Cast Aluminum

COLOR: White coating with UV

LENS MATERIAL: PC

MOUNTING: Surface

HARDWARE: 316 Stainless

OPERATING TEMPERATURE:
-40°F to +140°F

IP RATING: IP68

ACCENT LIGHT ACCESSORIES



ACCENT LIGHTING COVER

- For use with the HE-4MLRGBK, HE-8MLRGBK, HE-ML1RGB

HE-ML1DIV



MOUNTING BASE

- For use with the HE-ML1, HE-ML1A, HE-ML1B, HE-ML1G, HE-ML1R

HE-ARB1



CONTROL BOX

**★ IP68 ★
CERTIFIED**

8 OUTPUT

- Water-resistant control box for RGB lights
- Control box can be mounted in the engine compartment

HE-CBRGB



PIGTAIL ADAPTER

RGB ACCENT PODS

- Designed to wire the RGB accent pods into any 4-wire positive anode RGB controller like the Heise HE-RGBC-1, HE-RGBSAC-1, HE-WFRGBC-1, and HE-RFRGBC-1

HE-PTRGB



EXTENSION CABLE

10 FOOT

- Designed to add an additional 10 feet of length to the accent pods which are already equipped with a 10 foot cable

HE-EXTRGB

WORK LIGHT

33 LED

- Wattage: 60W
- Raw Lumens: 726lm
- Lux @ 10M: 0.1
- Beam Pattern: 120° Flood
- Current Consumption @ 13.8V: .3A
- Lens Design: Unique Waffle



3.75"W x 3"H x .75"D

HE-WL1



"Y" ADAPTER

HARNESS KIT

- Allows two lightbars, driving lights, or work lights 240W or less

HE-EYHK

LED STRIP LIGHTS



RGB STRIP LED LIGHT KIT 5 METER 5050 RGB LEDS

- 5 meters (16.4ft.) RGB 5050 LED strip
- 5050 SMD LEDs at 60 LEDs per meter
- One 24-key IR remote & RGB controller
- 3 amp power supply
- IP65 water-resistant covering

H-RGB5MRK2



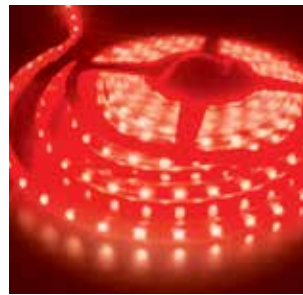
BLUE



GREEN



RED



WHITE



IP68 5050 LED STRIP LIGHTS 5 METER ROLL

- Water-resistant covering
- 3M double-sided tape provides a strong bond
- 120° viewing angle
- LED strips can be cut at every 3rd LED
- 5 meter strip only draws 4.5 amps of current
- IP68 rated waterproof light strip
- Mounts with brackets (included) instead of tape for secure mounting
- Anti-static packaging

HE-B55068 Blue

HE-G55068 Green

HE-R55068 Red

HE-W55068 White



ALUMINUM TRACK FOR STRIP LED LIGHTS

3 FOOT SILVER ANODIZED

- Aluminum surface and flush mount track available in both clear and frosted covers for use with LED strip lights
- Provides decorative look and secure place to attach your LED strip lights
- Flush mount requires a 5/8" wide and 1/4" deep opening
- Hardware included



HE-ATCL Clear surface



HE-ATFL Frosted surface



HE-AFMTCL Clear flush



HE-AFMTFL Frosted flush

WHIPS



Actual color tones may vary

DANCING LED RGB WHIPS 4 FOOT • SMART PHONE CONTROLLED

- 147 LEDs/60 per meter/3 amps
- IPX5 Rating

MPS-CRGBWHIP4

- Mount on any boat or off-road vehicle: ATVs/UTVs, Jeeps, trucks, etc.
- Easy to install/uninstall with quick release mounting base
- Included orange flag and clips for safety



Actual color tones may vary

DANCING LED RGB WHIPS 6 FOOT • SMART PHONE CONTROLLED

- 227 LEDs/60 per meter/4 amps
- IPX5 Rating

MPS-CRGBWHIP6

INPUT VOLTAGE: 9-16V DC

LED LIFE: 50,000 hours

BASE: Aluminum, black anodized, quick release design

RF REMOTE: Included

WHIP MOUNT

DESIGNED TO WORK WITH ROLL CAGES

- Comes with 1.5", 1.75", 1.875" & 2" rubber inserts
- Milled aluminum
- Powder coated gloss black
- Adjusts to fit most angles

MPS-WHIPM



RADIO HOUSING/COVERS/ANTENNAS



MARINE RADIO HOUSING

PRE-WIRED SURFACE MOUNT

- White molded UV-resistant polycarbonate
- Smoke tinted door - spring-loaded with retention hinge
- Pre-wired for easy installation
- Stainless steel mounting hardware included
- Housing only - radio not included

99-9006



MARINE RADIO COVER

TRANSPARENT SMOKE TINTED DOOR

- Black or white finished base
- Magnetic latch - No push buttons
- Magnetic seal held in place with 3M adhesive
- Retention hinged so the door will stay open
- No other marine cover uses this style of hinge
- Universal design accommodates most DIN head units
- High-temp and UV resistant polycarbonate construction
- Stainless steel mounting hardware included

99-9003W White base

99-9003B Black base



MARINE RADIO COVER

TRANSPARENT SMOKE TINTED DOOR

- Black or white finished base
- Positive spring-loaded retention lock
- Longer life, heavy-duty, low-friction hinges
- Dual spring support while cover is open
- Accu-view tinted cover

99-9005 White base

99-9005B Black base

UNIVERSAL MARINE ANTENNA

- Flexible antenna
- 48" (122cm) cable
- Right angle motorola style connector
- Weather-resistant

44-MAUA200



WHITE MARINE RUBBER ANTENNA

- Side/top mount for 1" (25mm) hole split ball
- 14" (36cm) removable white conductive rubber mast
- 54" (137cm) cable

44-MAUS07R

OVERHEAD CONSOLES

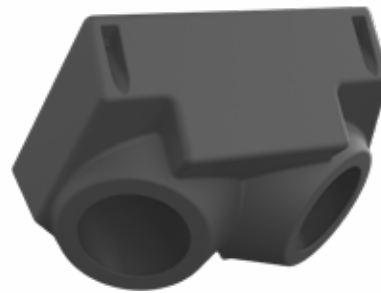


OVERHEAD CONSOLE

SINGLE-DIN | UNIVERSAL

- Easy install
- Automotive/marine grade ABS with UV
- Single-DIN opening or without for customized gauge mount
- Water-resistant
- Accommodates one radio device and two speakers
- Paintable for custom install
- OH-DIN01 has Single-DIN radio cut out

OH-UNI01/OH-DIN01



OVERHEAD CONSOLE

SINGLE-DIN AND DOUBLE-DIN | UNIVERSAL

- Made from durable ABS plastic
- 2 speaker cutouts for 6.5" - 6.75" speakers
- Single and Double-DIN radio templates included
- Will accommodate: Single-DIN radios/Double-DIN radios, marine media units, Bluetooth® receivers, gauges, dome lights, switches, etc.
- Mounting hardware included

OH-UNI02

BLUETOOTH® AUDIO RECEIVERS



AUDIO RECEIVER

BLUETOOTH® MODULE NO DISPLAY

- Remote turn-on comes on when streaming media
- Water-resistant
- Upgrade existing non-Bluetooth® radio
- Automatically reconnects with the last Bluetooth® device
- RCA output

IBR64



AUDIO RECEIVER

FLUSH MOUNT DISPLAY BLUETOOTH® MODULE

- 1-1/8" mounting hole required
- Water-resistant, AUX input
- Remote turn-on comes on when streaming media
- Independent volume and track controls

IBR65



WATER-RESISTANT BLUETOOTH® SPEAKER

UNIVERSAL

- Blue LED back-lit control panel 3"x 2", with IP66 water-resistant rating
- Built-in FM radio tuner, with auto search and save
- USB input to play MP3/WMA/WAV music with 1 amp device charging
- Pair of 3" water-resistant speakers included, peak stereo output power: 2 x 20W
- Suitable for DC 12V

MPS-SBSMP3

VOLTMETER

DIGITAL

- Snap-in panel with 3.5/USB/voltmeter
- Provides 2.1 amp 5V charging
- 3.5mm is pass-through

MPS-35USBV



SPEAKER ACCESSORIES



SILICONE SPEAKER BAFFLES

2 PIECE SILICONE BAFFLE KIT

Pkg/pair 6.5"	IBSBF65	Bulk/pair pkg 6.5"	IBSBF65-B
Pkg/pair 5.25"	IBSBF525	Pkg/pair 6"x 9"	IBSBF69
Bulk/pair 6"x 9"	IBSBF69-B	Pkg/pair 8"	IBSBF80



MODULAR SUB GRILLE HARDWARE INCLUDED

- Powder coated, heavy-duty mounting bases
- Steel protection arms with satin nickel finish

EMSG02



VERTEX/XTC ACOUSTIC BAFFLES

2 PIECE BAFFLE KIT

4" shallow round	VXT42	6.5" round large frame	VXT60
4"x 6" shallow oval	VXT462	6" round shallow large frame	VXT62
4"x 6" oval	VXT46	6.5" round small frame	VXT65
5" round shallow	VXT52	6"x 8" oval standard	VXT68
5" to 5.25" round	VXT55	6"x 9" oval	VXT69
5"x 7" oval	VXT52	8" round standard	VXT80



IB ACOUSTIC BAFFLES

2 PIECE BAFFLE KIT

4" round shallow	IBBAF42
4"x 6" oval small frame	IBBAF462
4"x 6" oval	IBBAF46
5" round shallow	IBBAF52
5.25" round standard	IBBAF55
5"x 7" oval	IBBAF57
6" round shallow	
large frame	IBBAF62
6.5" round small frame	IBBAF65
6"x 8" oval	IBBAF68
6.5" round large	IBBAF60
6"x 9" oval	IBBAF69
8" round standard	IBBAF80



WAFFLE GRILLE WITH HARDWARE

8" waffle grille	85-9008
10" waffle grille	85-9010
12" waffle grille	85-9012
15" waffle grille	85-9015
Woofer hardware	85-HDW1
Woofer clips	85-HDW2



MESH SNAP ON GRILLE WITH PLASTIC RING

4" metal mesh	SMG4
5.25" metal mesh	SMG525
6.5" metal mesh	SMG65
8" metal mesh	SMG8
10" metal mesh	SMG10



SPEAKER PLUGS WATER-RESISTANT

- Male to female speaker plug
- 18-gauge input

JW4136

POWER & SPEAKER WIRE



**FULLY TINNED
VIRGIN COPPER
CONSTRUCTION**

V10 POWER WIRE SPOOLS

- Meets CEA and ANSI specs
- Fully tinned virgin copper construction
- High strand count for max flex
- PVC blended jacket
- BC-5W2 marine compliant

1/0 AWG

50ft	15.24m	matte pearl
50ft	15.24m	matte black
50ft	15.24m	matte red

**V10PW-1050
V10GW-1050
V10PW-1RD50**

4 AWG

100ft	30.48m	matte pearl
100ft	30.48m	matte black
100ft	30.48m	matte red

**V10PW-4100
V10GW-4100
V10PW-4RD100**

8 AWG

250ft	76.20m	matte pearl
250ft	76.20m	matte black
250ft	76.20m	matte red

**V10PW-8250
V10GW-8250
V10PW-8RD250**

V10 SPEAKER WIRE SPOOLS

- Meets CEA and ANSI specs
- Fully tinned virgin copper construction
- High strand count for max flexibility
- Ultra-flexible PVC blended jacket
- BC-5W2 marine compliant

12 AWG

125ft	38.10m	black
125ft	38.10m	white/black

**V10SW12125-BK
V10SW12125-WB**

16 AWG

250ft	76.20m	black
500ft	152.4m	black
250ft	76.20m	white/black
500ft	152.4m	white/black

**V10SW16250-BK
V10SW16500-BK
V10SW16250-WB
V10SW16500-WB**



**FULLY TINNED
VIRGIN COPPER
CONSTRUCTION**

FUSE HOLDER/DISTRIBUTION BLOCKS



MANL FUSE HOLDER 2-4GA/8GA INPUT/OUTPUT

- 2-4GA/8GA input/output
- Water-resistant rubber grommet

VMANL



4-POSITION MANL FUSE DISTRIBUTION BLOCK

- 1-1/0GA input 4-4GA output

VFDB4



4-POSITION DISTRIBUTION BLOCK

- 1-1/0GA input 4-4GA output

VDB4



4-POSITION MANL FUSE DISTRIBUTION BLOCK POWER/GROUND

- Positive: 2-1/0GA input 4-4GA output
- Negative: 1-1/0GA input 4-4GA output

VPNB4

FINISH: Brass machined with satin gunmetal finish

MATERIAL: TORX hardware with Gate Lock set screw

AUDIO/VIDEO CABLES



AMP INSTALLATION KITS

- Meets CEA and ANSI specification for wire gauge
- Fully tinned virgin copper construction
- High strand count for maximum flexibility
- BC-5W2 marine compliant RCA, speaker, power and ground wire
- Compact brass fusing and distribution

1/0 AWG AMP KIT	5200W	V10-AK1
4 AWG AMP KIT	2100W	V10-AK4
8 AWG AMP KIT	800W	V10-AK8

6-CHANNEL RCA AUDIO CABLES

17ft (5.18m)

- Dual twist for improved noise rejection
- Ultra-flexible PVC blended jacket
- Patented high tolerance compact machined metal end
- Quad split tip for maximum contact area
- Fully tinned wire to the entire V10 line.
- Made with BC-5W2 marine grade cable
- Packaged in high-end retail box

V10R176



V10 RCA AUDIO CABLES

- Dual twist for improved noise rejection
- Ultra-flexible PVC blended jacket
- Patented high-tolerance, compact machined metal end
- Quad split tip for maximum contact area
- Made with BC-5W2 marine grade cable
- Packaged in high-end retail box

2-CHANNEL

1.5ft	0.45m	V10R1-5
3ft	0.91m	V10R3
6ft	1.83m	V10R6
10ft	3.05m	V10R10
14ft	4.27m	V10R14
17ft	5.18m	V10R17
20ft	6.10m	V10R20
Y-1	1F-2M	V10RY1
Y-2	1M-2F	V10RY2

4-CHANNEL

17ft	5.18m	V10R174
------	-------	----------------



VIDEO CABLES

- True 75-ohm video cable
- Ultra-flexible PVC blended jacket
- Patented high-tolerance, compact machined metal end
- Quad split tip for maximum contact area
- Made with BC-5W2 marine grade cable
- Packaged in high-end retail box

SINGLE CHANNEL

17ft	5.18m	V10R174
3ft	0.91m	V10R3V
9ft	2.74m	V10R9V
20ft	6.10m	V10R20V

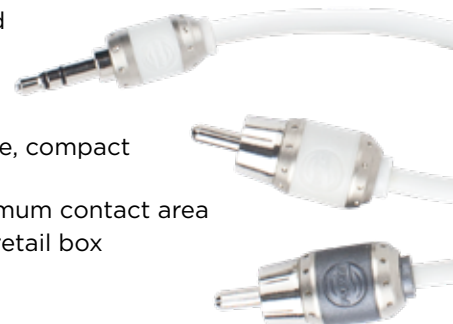


3.5MM TO RCA AUDIO

- Dual twist for improved noise rejection
- Ultra-flexible PVC blended jacket
- Patented high-tolerance, compact machined metal end
- Quad split tip for maximum contact area
- Packaged in high-end retail box

2-CHANNEL

6ft	1.83m	V10R35-6
-----	-------	-----------------



HDMI® CABLES

**4K
8K**

HDR

**24
48**

**GBPS
VERIFIED**

CERTIFIED **UHS**

ULTIMATE HIGH SPEED

CL

FT4
RATED

24K

GOLD
PLATED

MHX HDMI® CABLES FEATURES

- ✓ Supports 4K@60Hz HDR
- ✓ 24K gold plated Grip-Lox™ connector for securing cable to devices
- ✓ Increased tensile pull tension without the risk of damaging equipment
- ✓ Multi-layer shielding
- ✓ Audio Return Channel (ARC/eARC).5M



LENGTHS

POLY BAG	LENGTH	
48Gbps ULTIMATE HIGH SPEED + ETHERNET		
MHX-LHDME-5	0.5M	48Gbps ULTIMATE HIGH SPEED
MHX-LHDME1	1M	48Gbps ULTIMATE HIGH SPEED
MHX-LHDME2	2M	48Gbps ULTIMATE HIGH SPEED
24Gbps HIGH SPEED + ETHERNET		
MHX-LHDME3	3M	24Gbps HIGH SPEED
MHX-LHDME4	4M	24Gbps HIGH SPEED
MHX-LHDME5	5M	24Gbps HIGH SPEED
MHX-LHDME6	6M	24Gbps HIGH SPEED
MHX-LHDME7	7M	24Gbps HIGH SPEED
MHX-LHDME7-5	7.5M	24Gbps HIGH SPEED
10Gbps HIGH SPEED + ETHERNET		
MHX-LHDME8	8M	10.2Gbps* HIGH SPEED
MHX-LHDME10	10M	10.2Gbps* HIGH SPEED
MHX-LHDME12	12M	10.2Gbps* HIGH SPEED
MHX-LHDME15	15M	6.75Gbps HIGH SPEED
MHX-LHDM17	17M	6.75Gbps HIGH SPEED

**4K
8K**

HDR

**24
48**

**GBPS
VERIFIED**

ETHEREAL
CERTIFIED **UHS**

ULTIMATE HIGH SPEED

CL

FT4
RATED

24K

GOLD
PLATED

MHY HDMI® CABLES FEATURES

- ✓ Supports 4K@60Hz HDR
- ✓ 24K gold plated Grip-Lox™ connector for securing cable to devices
- ✓ Ultra flexible slim profile cables excellent for use when added flexibility is needed
- ✓ Multi-layer shielding
- ✓ Audio Return Channel (ARC/eARC)



LENGTHS

POLY BAG	LENGTH	
48Gbps ULTIMATE HIGH SPEED + ETHERNET		
MHY-LHDME-5	0.5M	48Gbps ULTIMATE HIGH SPEED
MHY-LHDME1	1M	48Gbps ULTIMATE HIGH SPEED
MHY-LHDME1-5	1.5M	48Gbps ULTIMATE HIGH SPEED
MHY-LHDME2	2M	48Gbps ULTIMATE HIGH SPEED
24Gbps HIGH SPEED + ETHERNET		
MHY-LHDME3	3M	24Gbps HIGH SPEED
MHY-LHDME4	4M	24Gbps HIGH SPEED
MHY-LHDME5	5M	24Gbps HIGH SPEED
MHY-LHDME6	6M	24Gbps HIGH SPEED
MHY-LHDME7	7M	24Gbps HIGH SPEED
MHY-LHDME8	8M	24Gbps HIGH SPEED
MHY-LHDMER10	10M	24Gbps HIGH SPEED
MHY-LHDMER12	12M	24Gbps HIGH SPEED
MHY-LHDMER15	15M	24Gbps HIGH SPEED



HDMI® ACCELERATOR

- 18 Gigabit Accelerator for passive HDMI® cables
- Works with cables up to 15 m
- Powered by a USB cable
- Small, easy to install

HDM-GA1



GIGABIT ACCELERATOR

- 12Gbps bandwidth x 4 channels up to 9 meters
- Extends 18 Gbps capability up to 20 meters & 48Gbps capability anticipated up to 9 meters
- Supports all features of the new HDMI® 2.0b & 2.1 specification

HDM-GA2



HDMI® EDID REGENERATOR

- HDCP 2.2 support
- HDR, deep color & BT 2020 support
- RF shielded metal case
- 50% typical reduction in data rise times
- Solves: audio dropouts, HDCP not supported, mode not supported and mode out of range

HDM-JR3



HDMI® SPLITTER 1 INPUT / 2 OUTPUTS

- Supports HDMI® 2.0 and HDCP 2.2 (and earlier versions)
- Supports 1080p, 3D, 4K/60Hz 4:4:4 up to 18Gbps
- Built-in scaling and EDID management to allow multiple resolutions simultaneously
- All HDR formats supported

CS-1X2HMSPL5



HDMI® SPLITTER 1 INPUT / 4 OUTPUTS

- Supports HDMI® 2.0 and HDCP 2.2 (and earlier versions)
- Supports 1080p, 3D, 4K/60Hz 4:4:4 up to 18Gbps
- Built-in scaling and EDID management to allow multiple resolutions simultaneously
- All HDR formats supported

CS-1X4HMSPL5



HDMI® SWITCH 3 SOURCES / 1 OUTPUT

- Supports HDMI® 2.0 and HDCP 2.2 (and earlier versions)
- Supports 1080p, 3D, 4K/60Hz up to 18Gbps
- Supports all HDR formats
- Supports control with IR & RS232

CS-HDM3X1SW4



HDMI® SWITCH 5 SOURCES / 1 OUTPUT

- Supports HDMI® 2.0 and HDCP 2.2 (and earlier versions)
- Supports 1080p, 3D, 4K/60Hz up to 18Gbps
- Supports all HDR formats
- Supports control with IR & RS232

CS-HDM5X1SW4

HDMI® HDBaseT™ EXTENDER

Send 4K/60, HDR HDMI® signals and bi-directional US type IR 20-60Hz signals up to 120m (394ft) and 1080p up to 150m (492ft). Includes RS232 pass through.

- Supports HDMI® 2.0 & HDCP 2.2 (and earlier versions)
- Resolutions supported: up to 4K/60Hz 4:4:4 HDR
- Compatible with CAT5e/CAT6/CAT6A
- Transmission distance: up to 150m/492ft over CAT6
- Includes US standard IR receiver & emitter
- HDMI® loop-out on transmitter
- Power from single side
- Wall mountable with included mounting tabs

CS-HDBT2UR-120



HDMI® POE EXTENDER OVER SINGLE CAT6

- Carries HDMI® signals up to 50 meters over single CAT6
- 7 built-in adjustable EDID settings
- HDMI® loop out on transmitter
- Includes IR blaster & IR receiver
- Power only required on single side

CS-HDC5EXTSRPOE

BATTERIES & ACCESSORIES



12V MARINE BATTERY 785 CRANK AMPS • 120 MIN RESERVE 55 AMP HOURS

- AGM technology (Absorbed Glass Mat)
- 12V marine grade battery
- Threaded and standard posts
- Can be discharged and recharged 100s of times

SK-MBT-55

WEIGHT	WIDTH	HEIGHT	DEPTH
42.5LBS 19.3KG	10.75" 273MM	6.89" 175MM	6.61" 168MM



12V MARINE BATTERY 800 CRANK AMPS • 190 MIN RESERVE 100 AMP HOURS

- AGM technology (Absorbed Glass Mat)
- 12V marine grade battery
- Threaded and standard posts
- Can be discharged and recharged 100s of times

SK-MBT-100

WEIGHT	WIDTH	HEIGHT	DEPTH
68.3LBS 31KG	13" 330MM	8.54" 217MM	6.85" 174MM

SMART BATTERY ISOLATORS

- Charge your auxiliary power while driving
- Cost effective protection against a flat start battery

80 amp	IB-SRL80
200 amp	IB-SRL200
500 amp	IB-SRL500



BUS BARS

BRASS BUS BAR BLOCK GATE-LOCK TECHNOLOGY

- Standard 5mm set screws
- High quality ABS protective cover
- Includes inserts for positive and negative terminal
- Includes wire trim inserts
- Accepts 10 to 0 gauge wire
- 6 mounting points



SK-TML-BLK

BRASS BUS BAR PLATE FOR RING TERMINALS

- Standard 5mm set screws
- Includes inserts for positive and negative terminal
- Includes wire trim inserts
- Accepts up to 0 gauge ring terminals
- 6 mounting points



SK-TML-PL



POWER SUPPLY

- LED light, switchable outputs between smart charging and single fixed voltage (which can be set between 13volts and 16.5volts)
- Built-in 4 stage smart charger
- Deck mount converter
- UL-CUL approved
- Quiet internal cooling fan
- Overtemp protection
- Reverse polarity protection
- Power Factor Correction (PFC)
- More efficient and clean power supply

35 AMP POWER SUPPLY

- 35 amp power supply
- 430 watts max output
- 5 amps max AC current @ 108VAC

IBPS35

55 AMP POWER SUPPLY

- 55 amp power supply
- 780 watts max output
- 7 amps max AC current @ 108VAC

IBPS55

75 AMP POWER SUPPLY

- 75 amp power supply
- 1065 watts max output
- 12 amps max AC current @ 108VAC

IBPS75

100 AMP POWER SUPPLY

- 100 amp power supply
- 1440 watts max output
- 13 amps max AC current @ 108VAC

IBPS100

SIZE: 10.5" D x 3.5" H x 7.2" W

DC OUTPUT VOLTAGE: 13.6V/14.4 (DC)

OUTPUT VOLTAGE TOLERANCE: + or - .7%

INPUT VOLTAGE: 105-135 AC

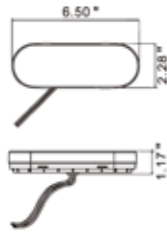
TRAILER LED LIGHTS



OVAL TRAILER LED LIGHT

6 INCH • 14 LED

- 14 red LEDs: Stop, turn, taillight functions
- Sonically sealed, weather-resistant
- PL-3 connector
- 6" rubber grommet
- PMMA lens and ABS housing
- FMVSS S2 T2 I6 / I6 / R
- @12VDC .06A for taillight



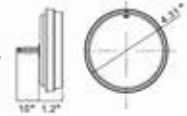
HE-TR6001



ROUND TRAILER LED LIGHT

4 INCH • 14 LED

- 14 red LEDs: Stop, turn, taillight functions
- Sonically sealed, weather-resistant
- PL-3 connector with grommet
- PMMA lens and ABS housing
- FMVSS S2 T2 I6 / I6 / R
- @ 12VDC .38A for stop/turn LEDs



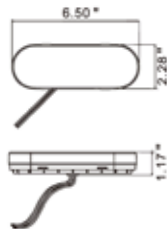
HE-TR4001



OVAL TRAILER LED LIGHT

6 INCH • 14 LED

- 14 amber LEDs: Turn functions
- Sonically sealed, weather-resistant
- PL-3 connector
- 6" rubber grommet
- PMMA lens and ABS housing
- FMVSS S2 T2 I6 / I6 / R
- @12VDC .06A for taillight



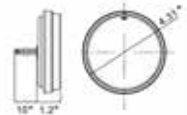
HE-TR6002



ROUND TRAILER LED LIGHT

4 INCH • 14 LED

- 14 amber LEDs: Turn functions
- Sonically sealed, weather-resistant
- PL-3 connector with grommet
- PMMA lens and ABS housing
- FMVSS S2 T2 I6 / I6 / R
- @12VDC .06A for turn



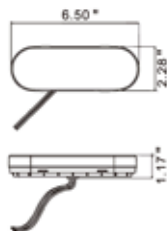
HE-TR4002



OVAL TRAILER LED LIGHT

6 INCH • 14 LED

- 14 white LEDs: Backup function
- Sonically sealed, weather-resistant
- PL-3 connector
- 6" rubber grommet
- PMMA lens and ABS housing
- FMVSS S2 T2 I6 / I6 / R
- @12VDC .24A for backup



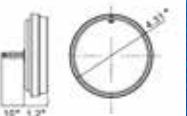
HE-TR6003



ROUND TRAILER LED LIGHT

4 INCH • 14 LED

- 14 white LEDs: Backup functions
- Sonically sealed, weather-resistant
- PL-3 connector with grommet
- PMMA lens and ABS housing
- FMVSS S2 T2 I6 / I6 / R
- @12VDC .24A for backup



HE-TR4003



ALL COPPER TRAILER WIRE 100 FOOT SPOOLS

- Wire recommended for RVs, boats and utility trailers

2-CONDUCTOR TRAILER WIRE

- 14 gauge black/red
- 16 gauge black/red
- 18 gauge black/red

TWBKRD14100
TWBKRD16100
TWBKRD18100

BULK TRAILER WIRE COLORS 500 FOOT SPOOLS • 18GA

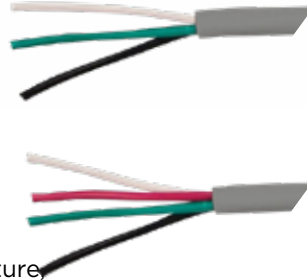
- GPT is designed for electrical usage in fleet vehicles
- PVC coated high temp rated

Red **US18500R**
Blue **US18500BL**
Brown **US18500BR**
Green **US18500GR**
Orange **US18500OR**
Purple **US18500PL**
White **US18500WT**
Yellow **US18500YL**



ALL COPPER JACKETED PRIMARY WIRE 100 FOOT SPOOLS

- Wire recommended for auto, truck, construction and light marine
- Heavy-duty PVC outer jacket is abrasion-resistant and protects against moisture, oil, acid and salt



2-CONDUCTOR

- 8 gauge black/white
- 10 gauge black/white
- 14 gauge black/white
- 16 gauge black/white

JPWBW8100
JPWBW10100
JPWBW14100
JPWBW16100

3-CONDUCTOR

- 12 gauge black/green/white
- 16 gauge black/green/white

JPWBGW12100
JPWBGW16100

4-CONDUCTOR

- 10 gauge black/green/red/white
- 12 gauge black/green/red/white
- 14 gauge black/green/red/white
- 16 gauge black/green/red/white

JPWBGW16100
JPWBGRW12100
JPWBGRW14100
JPWBGRW16100

ALL COPPER TRAILER WIRING PLUGS

- Connectors that allow basic hook up of the three lighting functions (running, turn and brake lights) plus one pin is provided for a ground wire (IBTH4P)
- One pin is available to provide support for another.



4-way 18 gauge
5-way 18 gauge

IBTH4P
IBTH5P

ALL COPPER TRAILER HARNESS

12GA, 16GA, 8 PIN 72"
5 PIECES

- For custom harness applications
- 12 gauge = red, white, black
- 16 gauge = yellow, brown, green, blue, gray

IBTH8P72



TRAILER WIRING



ALL COPPER HOOKUP WIRE

1 FOOT • 2-PIN

- All copper
- Red/black

12 gauge	IBTH12
16 gauge	IBTH16
18 gauge	IBTH18



TRAILER CONNECTORS

BLACK PVC HOUSING WITH COPPER INTERNALS

6-pin round/4-way flat	IBT-E01
7-pin round/6-way flat	IBT-E02
7-way blade/4-way flat	IBT-E03
7-way blade/5-way flat	IBT-E04
7-way blade to trailer end	IBT-E05
7-way blade to vehicle end	IBT-E06
7-way blade 12volt LED tester	IBT-E07
Mounting bracket	IBT-E08

INSTALLATION ACCESSORIES

PANEL SWITCHES

**CERTIFIED, UPGRADED SWITCHES - @24VOLTS = 10AMPS
@12VOLTS = 20AMPS**

- 4-switch panel with UNI switches
- 6-switch panel with UNI switches
- 2-pin on-off switch no LEDs
- 7-pin winch switch in-out with 2 blue LEDs
- 6-pin winch switch in-out with no LEDs
- 3-pin on-off switch with red LED
- 3-pin radio on-off switch with red LED
- 6-pin winch switch in-out with blue LED

- IBSP4**
- IBSP6**
- IBSS**
- IBSS2L**
- IBSS6P**
- IBSSL**
- IBSSR**
- IBSSWB**



12V RELAY 5-PIN

- 12/16 gauge
- Water-resistant

IBW-E123H



GRAPHIC DISPLAY DIGITAL METER

- Mounting hole: 29.2mm/1.15"

IBR94 24 volts (15V-30V)
IBR95 12 volts



24V RELAY 5-PIN

- 12/16 gauge
- 30/40 amps
- Water-resistant

IBW-24VRLH



INSTALLATION ACCESSORIES

STAINLESS LATCHING SWITCHES ROUND

- Harness 3 amps
- IP67 water-resistant

Stainless	16mm blue
Stainless	19mm blue
Stainless	16mm green
Stainless	19mm green
Stainless	16mm red
Stainless	19mm red
Stainless	16mm white
Stainless	19mm white
Stainless	16mm yellow
Stainless	19mm yellow

IBRSSB16
IBRSSB19
IBRSSG16
IBRSSG19
IBRSSR16
IBRSSR19
IBRSSW16
IBRSSW19
IBRSSY16
IBRSSY19



DUAL 4.2A USB 3.DUAL USB 2.1A

- 29.2mm/1.15"

Red
 White
 Blue
 Green
 Orange

IBR85
IBR86
IBR87
IBR88
IBR89



USB & VOLTAGE ROUND VOLTAGE MONITOR

- LED display
- Water-resistant
- Snap in extension cable
- 1.5 meters length
- Mounting hole: 29.2mm/1.15"

IBR92



VOLTMETER WITH CURRENT DIGITAL VOLTAGE MONITOR

- Universal fit
- Blue LED
- Mounting hole: 28.5mm/1.10"

IBR93



USB SOCKET PASS THROUGH FLUSH MOUNT

- 12V/24V with water-resistant cover
- Direct to battery wiring & fused connection

IBR78



POWER SOCKET WATER-RESISTANT 12V POWER SOCKET

- Flush mount, 1-1/8" mounting hole required
- 0.250" power and ground lugs on back
- Use with optional mounts IBR59, IBR60 and IBR61

IBR58



WATER-RESISTANT 3.5MM AUX-IN TO RCA-OUT

- Surface of flush mount AUX-in
- Mounting hole: 7/8"
- 2 meter cable

IBR80

INSTALLATION ACCESSORIES



DUAL USB MOUNT 12V MARINE LIGHTER SOCKET

- Dual 2.1A 5V USB
- IP65 Rating
- Water-resistant

IBR79



CIRCUIT BREAKER MANUAL RESET USA COOPER BUSSMANN

- 50 amp
- 80 amp
- 100 amp
- 135 amp
- 150 amp

CB50MR
CB80MR
CB100MR
CB135MR
CB150MR



CIRCUIT BREAKER AUTO RESET USA COOPER BUSSMANN

- 15 amp
- 20 amp
- 30 amp
- 40 amp
- 50 amp

CB15AR
CB20AR
CB30AR
CB40AR
CB50AR



CIRCUIT BREAKER ECONOMY MANUAL RESET IP67 RATED

- 50 amp
- 60 amp
- 80 amp
- 100 amp
- 135 amp
- 150 amp
- 200 amp

E-CB50MR
E-CB60MR
E-CB80MR
E-CB100MR
E-CB135MR
E-CB150MR
E-CB200MR



MINI CIRCUIT BREAKER

Miniature line-voltage circuit breakers. Push-to-reset, panel-mount design. For use in marine and control panels.

- 5 amp
- 10 amp
- 15 amp
- 20 amp
- 25 amp
- 30 amp

CBW57-PS-5A
CBW57-PS-10A
CBW57-PS-15A
CBW57-PS-20A
CBW57-PS-25A
CBW57-PS-30A



MOUNTS

PANEL/SURFACE/UNDERDASH

Panel mount for IBR56, IBR57 & IBR58

IBR59

Surface mount for IBR56, IBR57 & IBR58

IBR60

Underdash mount for IBR57 & IBR58

IBR61



IN-LINE FUSE HOLDER

- Mini
- Regular
- Micro II
- Maxi

LPM-04B-I-12R
LPR-04B-I-12R
LPT-04B-I-12R
LPX-04B-I-6R



FUSE HOLDERS

Mini ANL fuse holder
**4GA INPUT/OUTPUT, 8GA
REDUCERS INCLUDED**

IBR51

ANL and Mini ANL
fuse holder

**1/0GA INPUT/OUTPUT, 4GA
REDUCERS INCLUDED**

IBR52



CIGARETTE LIGHTER PLUGS

10 AMP

- 2" leads

Female plug
retail package

CLA

12V plug female

CIGF

Male lighter plug

CIGM

INSTALLATION ACCESSORIES



AGU FUSE HOLDERS

AGU 8 gauge Bakelite **ATFH8CB**
4/8 gauge ADJ **FHAGU**



ATC FUSE HOLDERS

100/BAG
18 gauge w/cover **ATFH18C-10**
16 gauge w/cover **ATFH16C-10**
16 gauge no cover **ATFH16-10**



ATM FUSE HOLDER

10/BAG WITH COVER
ATM 18 gauge **ATFH18MC-10**
ATM 16 gauge **ATFH16MC-10**
ATM 12 gauge **ATFH12MC-10**



MAXI FUSE HOLDER

Each **MAXIFH**
10/Bag **MAXIFH-10**



AGU/ANL FUSE HOLDERS

EACH
4/8 gauge AGU **FHAGU**
ANL, nickel, stud **ANLFH**
size 5/16th

10/BAG
4/8 gauge AGU **WFHAGU**
ANL, nickel, stud **ANLFH-10**
size 5/16th



MINI ANL FUSE HOLDER

EACH
4/8GA ADJ nickel **FHMANL**
4/8GA **MANLFH**

10-PACK
4/8GA ADJ nickel **WFH-MANL**
4/8GA **MANLFH-10**



MAXI HD FUSE HOLDER 4/8GA INPUT/OUTPUT

Maxi HD **MAXIHDH**



ATC FUSE HOLDER 12 GAUGE WIRE

- Water-resistant design with mounting tab on cover

IBR62



DUAL ATC FUSE HOLDER

**SUPPORTS UP TO 8 GAUGE
WIRE**

- Mounting tab, supports up to 80 amps with two 40 amp fuses
- Water-resistant connector

IBR63



MINI ANL FUSE HOLDER

**SUPPORTS UP TO
4 GAUGE WIRE**

- Mini-ANL water-resistant fuse holder
- Marine-certified

IBR81

FUSE BLOCKS



STACKABLE FUSE PANEL ATC/ATM STACKABLE FUSE PANEL

- Acts as an in-line fuse holder with jumpers to create any distribution block
- Fused distribution or power ground as you need
- Max amp - 40 amps per circuit
- Maximum voltage - 32V DC

ATMFP



ATC FUSE BLOCK

6-position fuse block for use with regular auto blade fuses.

BLC-106

Dust proof cover for BLC-106

BLC-106-C



ATC FUSE BLOCKS

6-position fuse block with grounding pad. For use with regular auto blade fuses.

BLC-106-G

Dustproof cover for BLC-106-G

BLC-106-C



ATC FUSE BLOCKS

8-position fuse block with grounding pad. For use with regular auto blade fuses.

BLC-108-G

Dustproof cover for BLC-108-G

BLC-108-C



ATC FUSE BLOCKS

10-position fuse block with grounding pad. For use with regular auto blade fuses.

BLC-110-G

Dustproof cover for BLC-110-G

BLC-110-C



ATC FUSE BLOCKS

12-position fuse block with grounding pad. For use with regular auto blade fuses.

BLC-112-G

Dustproof cover for BLC-112-G

BLC-112-C



10-POSITION FUSE BLOCK WITH INDICATING LEDs

For use with low-profile auto blade fuses.

BLS-I-310



LED ATM FUSE BLOCKS

4-position fuse block with indicating LEDs. For use with mini auto blade fuses.

BLM-I-304



LED ATM FUSE BLOCKS

6-position fuse block with indicating LEDs. For use with mini auto blade fuses.

BLM-I-306



LED ATM FUSE BLOCKS

10-position fuse block with indicating LEDs. For use with mini auto blade fuses.

BLM-I-310



LED ATC FUSE BLOCKS

New screw terminal design! 10-position fuse block with indicating LEDs. Screw terminals. For use with regular blade fuses.

BLM-I-310



LED ATC FUSE BLOCKS

4-position fuse block with indicating LEDs. For use with regular auto blade fuses.

BLR-I-304



LED ATC FUSE BLOCKS

6-position fuse block with indicating LEDs. For use with regular auto blade fuses.

BLR-I-306



LED ATC FUSE BLOCKS

10-position fuse block with indicating LEDs. For use with regular auto blade fuses.

BLR-I-310



LED ATC FUSE BLOCKS

New screw terminal design! 4-position fuse block with indicating LED screw terminals. For use with regular blade fuses.

BLR-I-504



LED ATC FUSE BLOCKS

New screw terminal design! 6-position fuse block with indicating LED screw terminals. For use with regular blade fuses.

BLR-I-506



ATC FUSE PANELS

USA COOPER BUSSMANN
ATC fuse panel 30A 6 POS short base
15600-06-20

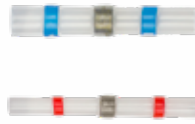
ATC fuse panel 30A 6 POS long base
15600-06-21

HARDWARE



HEAT SHRINK BUTT CONNECTORS

25/BAG Red 8GA	HSRBC8
50/BAG Yellow 12/10GA	HSYBC
100/BAG Yellow 24/26GA Red 22/18GA Blue 16/14GA	HSYBCM HSRBC HSBBC



HEAT SHRINK WITH SOLDER

10 PACK Blue 16/14GA Red 22/18GA White 26/24GA Yellow 12/10GA	SHSBBC SHSRBC SHSWBC SHSYBC
--	--



HEAT SHRINK SPADE TERMINALS

100 PACK - BLUE 16/14GA #6 16/14GA #8 16/14GA #10	HSBVLST6 HSBVST8 HSBVST10
100 PACK - RED 22/18GA #8 22/18GA #10	HSRVST8 HSRVST10

HEAT SHRINK RING TERMINALS



50 PACK - YELLOW

12/10GA #8	HSYRT8
12/10GA #10	HSYRT10
12/10GA #1/4	HSYRT14
12/10GA #5/16	HSYRT516
12/10GA #3/8	HSYRT38
12/10GA #1/2	HSYRT12

100 PACK - BLUE

16/14GA #8	HSBRT8
16/14GA #10	HSBRT10
16/14GA #1/4	HSBRT14
16/14GA #5/16	HSBRT516
16/14GA #3/8	HSBRT38

100 PACK - RED

22/18GA #8	HSRRT8
22/18GA #10	HSRRT10
22/18GA #1/4	HSRRT14
22/18GA #5/16	HSRRT516
22/18GA #3/8	HSRRT38

HEAT SHRINK BULLET CONNECTORS MALE & FEMALE

100 PACK

Red 22/18GA male	.18	HSRMB
Blue 16/14GA male	.157	HSBMB
Red 22/18GA female	.187	HSRFB
Blue 16/14GA female	.157	HSBFB



HEAT SHRINK QUICK DISCONNECT FEMALE

100 PACK - FI=FULLY INSULATED

Red 22/10GA .250 female FI QD	HSRFFI
Blue 16/14GA .250 female FI QD	HSBFFI
Red 22/18GA .250 F QD	HSRFD
Blue 16/14GA .250 F QD	HSFBD

50 PACK - FI=FULLY INSULATED

Yellow 12/10 .250 female FI QD	HSYFFI
Yellow 12/10 .250 F QD	HSFYD



HEAT SHRINK QUICK DISCONNECT MALE

100 PACK - FI=FULLY INSULATED

Red 22/10GA .250 male FI QD	HSRMFI
Blue 16/14GA .250 male FI QD	HSBMFI
Red 22/18GA .250 M QD	HSRMD
Blue 16/14GA .250 M QD	HSMBD

50 PACK - FI=FULLY INSULATED

Yellow 12/10GA .250 male FI QD	HSYMFY
Yellow 12/10GA .250 M QD	HSMYD





tesa
INTERIOR PANEL PROTECTION TAPE

EACH
9.5"x 72yd **IB51136**



tesa
PAINT PROTECTION TAPE

EACH
14"x 220yd **IB50530**



3M
ELECTRICAL TAPE

10 PACK
Super 33+ electrical tape 3/4"x 52ft
SUPER33-10



tesa
EXTERIOR HARNESSING TAPE

Tesa 3/8"x 82ft **IB51026**
Tesa OEM 3/4"x 82ft **IB51036**



SPLIT LOOM TUBING - BLACK
POLYETHYLENE 200 DEGREE LOOM DISPENSER BOXED W/METRA LABEL

- 1/4" **SLT145**
- 3/8" **SLT385**
- 1/2" **SLT122**
- 1" **SLT1**



WIRE LOOM INSTALL TOOL

- 1/4" - 7/16" **SLT-08**
- 1/2" - 5/8" **SLT-15**



DIELECTRIC GREASE

3.3 oz container
IB05113



CABLE CLAMPS

- 100 PACK**
- 1/8" black **BCC18**
 - 3/16" black **BCC316**
 - 1/4" black **BCC14**
 - 5/16" black **BCC516**
 - 3/8" black **BCC38**
 - 1/2" black **BCC12**
 - 3/4" black **BCC34**
 - 1" black **BCC1**



MOUNTING HOLE CABLE TIES

- 100 PACK**
- 6" screw mount black 40lb **BMCT6**
 - 7.5" screw mount black 50lb **BMCT7**
 - 11" screw mount black 50lb **BMCT11**



BLACK CABLE TIES

- 1000 PACK**
- 4" 18lb **BCT4-1**
 - 6" 30lb **BCT6-1**
 - 8" 40lb **BCT8-1**
 - 18" 50lb **BCT18**



WIRE CLIPS

- 4 PACK - SCREW MOUNT**
- 8 AWG wire clips **IBCLIP8**
 - 10 AWG wire clips **IBCLIP10**

HARDWARE



FUSE BULK KITS

ATMLP - 150 assorted fuses, 1 fuse puller & 20 brass fuse taps
 ATC - 150 assorted fuses, 1 fuse puller & 20 brass fuse taps
 ATC - 150 assorted fuses, 1 fuse puller & 20 brass fuse taps

IBATMLPKIT
IBATCKIT
IBATMKIT

HEAT SHRINK TUBING KIT

3M Polyolefin 50% shrink tubing

3MHSKIT



HIGH SPEED DRILL BIT

135° split point and shoulder tip

PZGDRILL



NUT DRIVER

Magnetized nut setter
 5/16" bolt 1/2" driver

PZGDRIVER



STORAGE CONTAINER

12 slots

IB12STORAGE



ELECTRICAL GEL

Anti-corrosion electrical connection gel

PZGGEL



TERMINAL KIT

HEAT SHRINK - 120 PIECE

Assorted heat shrink butts, push ons, rings and spades

IBK-HS120



BRUSH TIP

Stainless steel wires cut down to bare metal quickly

PZGBRUSH

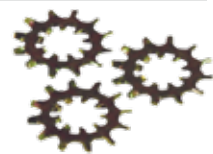


LOCK WASHERS

50 PACK

Internal/external anodized

PZGLWS



GROUNDING KIT PROFESSIONAL HIGH CURRENT KIT

Contains enough parts for 50 grounds. Replacement parts can be purchased.

PZGGRKT



CUTTING BOLTS

50 PACK

Zinc anodized thread 5/16"

PZGBOLT



LOCK NUTS

50 PACK

Anodized flanged serrated

PZGLNUT



SAFETY GLASSES

Clear safety glasses

PZGGLESSSES





RUBBER GROMMETS

100 PACK

- Rubber grommet 1/8" ID **RG18**
- Rubber grommet 3/16" ID **RG316**
- Rubber grommet 1/4" ID **RG14**
- Rubber grommet 5/16" ID **RG516**
- Rubber grommet 3/8" ID **RG38**
- Rubber grommet 1/2" ID **RG12**



LONG BARREL GROMMETS

25 PACK

- 8 gauge long barrel grommet .26" ID **LSB8**
- 4 gauge long barrel grommet .40" ID **LSB4**
- 1/0 gauge long barrel grommet .63" ID **LSB1**



FIREWALL GROMMETS

INCLUDES SEALING WASHERS

- OAWG IP68 1/18" hole **IBFG0**
- 4AWG IP68 7/8" hole **IBFG4**
- 8AWG IP68 5/8" hole **IBFG8**



STAINLESS WASHERS, NUTS & SCREWS

10 PACK

- #10 18-8 S.S. flat washer **FW188**
- #10 18-8 316 S.S. flat washer **FW316SC**

100 PACK

- #10-24 18-8 S.S. Hex nylon insert **NTSC1024**
- #10x1-3/4 18-8 S.S. Phillips oval **POHSC10134**
- #10x2 18-8 S.S. Phillips oval **POHSC102**
- #8x3/4 18-8 S.S. Phillips oval **POHSC834**
- #10x24 18-8 1-1/4" Phillips pan head **PPHSC1024114**
- #14x1 18-8 S.S. Phillips pan head **PPHSC141**
- #10x1 18-8 S.S. Phillips pan head **PPHSS101**
- #8x1 18-8 S.S. Phillips pan head **PPHSS81**
- #8x3/8 18-8 S.S. Phillips truss head **PTHSS838**
- #8x3/8 18-8 S.S. Phillips pan head **PPHSS812**



T-NUTS & STAINLESS BOLTS

All T-nuts are zinc plated 1/4"-20 tpi x5/16"
 All stainless bolts are 1/4"-20 tpi

4 PACK

- 1" Phillips head **IBTNKIT1**
- 1.5" Phillips head **IBTNKIT2**
- 2" Phillips head **IBTNKIT3**
- 1" Hex head **IBTNKIT4**
- 1.5" Hex head **IBTNKIT5**
- 2" Hex head **IBTNKIT6**



ABS PLASTIC SHEET

- 12"x 12"x 1/16" sheet black **ABS116**
- 12"x 12"x 3/16" sheet black **ABS316**
- 12"x 12"x 1/8" sheet black **89-00-9031**
- 8"x 12"x 1/8" sheet black **89-00-9025**
- 17"x 21"x 1/8" sheet black **89-00-9032**
- 12"x 12" grid plate black **89-00-9030**
- 17"x 21"x 1/8" sheet white **W-ABS118L**
- 12"x 16"x 1/8" sheet white **W-ABS118S**

TOOLS



SOLDERING IRON KIT

WELLER SUPER PRO SELF-IGNITING BUTANE SOLDERING IRON KIT

Professional quality, features "auto switch" safety shut-off and iron plated tip. Provides up to 125 watts of power.

IBPSI100K

- .094 single flat tip (for use with the IBPSI100K) **IBPSI2**
- .188 double flat tip (for use with the IBPSI100K) **IBPSI8**



SOLDER KIT

WELLER PROFESSIONAL SELF-IGNITING CORDLESS BUTANE

A lightweight, compact cordless butane soldering and hot air tool. Fast heat-up for high productivity, melts solder in less than 40 seconds. 25-75 watts.

IBP2KC

- .031 single flat tip (for use with the IBP2KC) **PPT1**
- .094 single flat tip (for use with the IBP2KC) **PPT2**
- .031 double flat tip (for use with the IBP2KC) **PPT5**
- .094 double flat tip (for use with the IBP2KC) **PPT5**

SOLDER

.040 rosen core solder 1 lb spool 60/40 kester **SDR1**

.062 rosen core solder .25 lb spool 60/40 **SDR14**

.040 rosen core solder 11lb spool 60/40 economy **ESDR-1**

1lb .062 aluminum solder **ASDR1**

2 oz. golden flux for **ASDR1** only **GFLUX2**



PRO4000A



HMAHS



HMGs

ELECTRIC GLUE GUN/STICKS

Electric glue gun - 80W

PRO4000A

8 STICKS PER BAG

- Black hot melt stick 10"
- Clear hot melt stick 10"
- Amber high strength stick

HMGs
HMGSC
HMAHS



3M DURAMIX

SEMI-RIDGE PLASTIC REPAIR 6.25OZ

Urethane plastic repair material for repairing damaged bumpers and re-building tabs. Can also be used to bond many dissimilar materials such as plastic, fiberglass and metal. Used for backside reinforcement repair on a variety of plastic.

3M04240

SUPER FAST PLASTIC REPAIR 6.25OZ

A two-component adhesive that has a very fast gel and cure time. The two parts consist of a base side and an accelerator side. The two parts are always mixed together. Used for rebuilding tabs and fixing broken eyelets. Has excellent wide gap filling capabilities. Will not run or sag.

3M04247



Duramix nozzle **3M08193**
Applicator **3M08571**



WORK LIGHTS

The Bayco hanging work light on 50ft retractable reel is 60 LEDs on the body of a hanging worklight, giving you the ability to keep working longer. 60 LED floodlight creates 120 lumens. Dual-position magnet hook hangs horizontally and vertically.

60 LED w/50ft 18/2 cord reel

SL864

60 LED w/25ft 18/2 cord

SL2125

66 LED rechargeable spot with mag hook

SLR2166



UTILITY KNIFE

RATCHET LOCK, 18mm CUTTER

Heavy-duty cutter features a uniquely designed, comfortable contoured, high-impact ABS plastic handle with a ratchet wheel blade locking mechanism. Unlimited blade adjustment. Includes LB Blade.

OLFBNL

10/PK 18mm, 8 SEGMENTS PER STRIP

Replacement blade for OLFBNL

OLFLB10B

10/PK 18MM, SNAP-OFF SPEED BLADE

Manufactured from premium Japanese carbon tool steel. Features a special enhanced coating which virtually eliminates drag. Blade cuts faster and resists build-up when cutting adhesive backed materials. Excellent for cutting tough materials like thick corrugated, Gator Board, Corplast™, wallboard, rubber and more.

OLFLFB



SLIDE LOCK UTILITY KNIFE

9mm cutter features an ABS non-slip handle with a full length stainless steel blade channel. Auto-locking blade slider has micro, 26 blade stop positions. This compares to 13 on similar knives. Includes a pocket-clip/blade snapper which firmly attaches to the cutter.

OLFAA1

10/PK 9MM, 13 SEGMENTS PER STRIP

Replacement blade for OLFAA1

OLFAB10B

50/PK 9MM, 13 SEGMENTS PER STRIP

Replacement blade for OLFAA1

OLFAB50B



SNAP-OFF GRAPHICS

STAINLESS STEEL KNIFE WITH 30 DEGREE ANGLE

The acute 30° angle easily cuts cardboard, plastics, Coroplast™, foam board, Gator Board and more. It features an auto-lock to firmly secure the blade in place while cutting. Pocket clip/blade snapper for convenience.

OLFSAC1

10/PK 9MM, 7 SEGMENTS PER STRIP

Replacement blade for OLFSAC1

OLFA1160B

TOOLS



TOP SHEET CUTTER

Its unique design lets you cut the top layer while preserving those below. While the cutter is great for cutting coupons and printed articles, you also can use it on cardstock, thin films, plastic sheeting, tape and more.

OLFT.S1

5/PK TOP SHEET CUTTER BLADE

Replacement blade for OLFT.S1

OLFT.SB1



CUSHION GRIP KNIFE

INCLUDES 2 PRECISION ART BLADES

This versatile knife features an acetone resistant, anti-slip cushion grip handle for enhanced comfort and performance. The bottom is weighted slightly for better balance and stability in cutting. The anti-roll device offers safety and its quick spin, easy blade change delivers convenience. For right and left handed users.

OLFAK4

5/PK #11 PRECISION BLADE

Replacement blade for OLFAK4

OLFKB4S



STAINLESS STEEL KNIFE

Auto locking blade, stainless steel handle and built-in safety blade stripper

OLFA

10/pk ABS stainless blades **OL9281**

50/pk ABS stainless blades **OL9282**



STANDARD DUTY CUTTER

Rubber grip insert, positive side lock

OLPA2

10/pk ABS stainless blades **OL9281**

50/pk ABS stainless blades **OL9282**



ECONOMY CUTTER

Knife 13pt snap blade **114-58**

10/pk replacement blades **114-62**



ART KNIFE

Art knife/weeding pick, 30 blades included

OLFAK5



MULTI-PURPOSE SCRAPER

Handy scraper features high-quality 2 1/3" stainless steel blades and strong, acetone resistant handles to efficiently tackle most conventional jobs.

OLFSCRL

Multi-grip 4-3/4" **OLGSB-1S**

Replacement blade for OLGSB-1S **GSR13B**



EDGE SCISSORS

7" STAINLESS STEEL, SERRATED SCISSORS

For heavy-duty cutting

OLFSCS2

5" PRECISION SMOOTH SCISSORS

Ideal for fine, intricate cutting

OLFSCS4



RAZOR BLADES

100/pk single edge steel-back #12

IBBLADE



DISPENSER PACK

100/pk utility replacement blades

120-01



DAMPING MAT KNIFE

Retractable damping mat knife

IBMATKNIFE



CRIMPING/CUTTING TOOL JOURNEYMAN

Soft handle material on outer surface and hard, black material on inner surface for comfort & durability. Use for insulated and uninsulated terminals & connectors. Accommodates wire from 10-22 AWG

IBJ1005



CRIMPING/CUTTING TOOL WIRE CUTTER IN TAPERED NOSE

Crimper crimps non-insulated 10 to 22 AWG solderless terminals and connectors. Specially hardened wire cutter in nose. Tapered nose for confined spaces. Plastic-dipped, cushioned handles. Forged steel for maximum durability

IB1006



CRIMPING/CUTTING TOOL INSULATED & NON-INSULATED TERMINALS & CONNECTORS 10- 22 AWG

Accommodates wire from 10 to 22 AWG. Specially hardened wire cutter in nose. Tapered nose design for working in tight spaces.

IB1005



SCRIBE

Ideal for marking most metal and softer materials.

IB31800



"O" RING AND SEAL

Ideal for marking most metal and softer materials.

IB31840

HAMMER CRIMPER

Large gauge

IBHDCRIMP



CRIMPING TOOL 6" AWG TO 4/0 COMPOUND

All-in-one integral crimp nest with no removable parts or rotating dies. Adjustable screw allows user to control crimp depth.

IB2006

TOOLS



CABLE CUTTER KURVE MULTI

Holes for looping and bending wire 8 inches each. Sold as each.

IB63020



WIRE STRIPPER

Cuts, strips and loops 12-26 solid and stranded wire. Convenient hole for looping or bending wire. Adjustable slide stop with set screw for repeat stripping work.

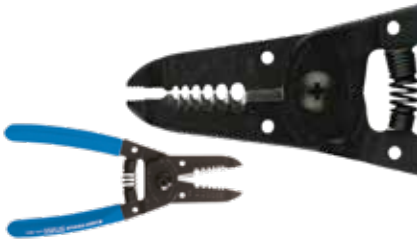
IB1004



WIRE STRIPPER CUTTER

Strips 10-18 AWG solid wire, easy to read wire gauge markings and coil spring.

IB11045



WIRE STRIPPER MULTI PURPOSE

Strips 10-20 AWG wire, bend shapes, pulls and loops wire, coil springs.

IB1011



DIAGONAL CUTTERS MIDGET LIGHTWEIGHT

5" lightweight tool that shears wire up to 14 AWG with flush cutting action, compact head, steel hold-open spring, plastic-covered handles.

IBD275-5



DIAGONAL CUTTERS MIDGET POINTED NOSE (4")

Sharp pointed nose for precise tip cutting and trimming printed circuit boards. Spring loaded for self opening action.

IBD209-4



10" MULTI CRIMPER/ CUTTER

Patented 3-in-1 quality crimping tool designed for quick splice T-tap clipping, wire cutting and connector crimping. Hot forged and specially heat treated alloy for extra durability.

TMT10



8" T-TAP CRIMPER/ CUTTER

Patented 2-in-1 wire quick splice T-tap clipper and wire cutter. Hot forged and specially heat treated alloy for extra durability.

TTT08



CRIMPER

For stripping wires from 22-12 AWG. Professional, for crimping insulated terminals. Crimper made of carbon steel and hardened. Crimps red 22-18 AWG, blue 16-14 AWG, yellow 12-10 AWG.

HW-9013



CABLE CUTTER

Cuts up to 4 gauge.

TCT8



5" STRIPPER & CUTTER

5" made of carbon steel and hardened with black-oxide finish.

HW-9006



ASB10

AIR SAW BLADES

Bi-metal blades designed for automotive and sheet metal work. 10 TPI blade is for scroll cuts in fiberglass and heavy gauge metal. 18 and 24 TPI blades are for scroll cuts in lighter gauge metal.

24TPI 1/2" **ASB24**

5 PACK
24TPI 1/2" **ASB24-5**

18TPI 1/2" **ASB18-5**

10TPI 1/2" **ASB10-5**



UNIBIT

Double fluted design eliminates skidding and makes for easier resharping. Also features laser etched hole sizes, anti-skid tip and drill points so there is no pilot hole needed. Works with most metals.

13 increments fractional:
1/8"-1/2" **IB59001**

9 increments fractional:
1/4"-3/4" **IB59003**



BIT SET

32 PIECE STANDARD TIP SET

Durable PVC black block allows for easy storage of standard bits. Block slides over most screwdriver shafts for easy bit access and storage. Industrial strength, heat-treated steel bits for long-lasting use.

IB32526



OFFSET HI-SPEED HEAD HEAVY DUTY 105° OFFSET'

Made for heavy-duty power units. Rated at more than 500 in/lbs of torque/2000rpm. It lets you get your power unit into tight spots with drills, spade drills, grinders, buffers, nuts and screws.

HD-105

SKEWDRIVER PRO® KIT

The Skewdriver® Pro SPK4040 kit features an offset bit driver, a right-angle tool that's perfect for removing the screws that secure some dash speaker grilles, getting to screws in hard-to-reach trim pieces, or working in tight quarters anywhere in your car or home.



SPK4040

BEVEL-GEAR DRIVER

Die-cast Skewdriver® Pro offset bevel gear driver, with new super gears, 3-times stronger than previous models, has stabilizer lock screw, ANSI impact ready input shaft and black chrome finish.



P9801HC



WRENCH SET

3/8" and 1/4" wrench set PBX 1400 Powerbox accessory with 7-piece English and metric sockets.

PBS-1438

OFFSET GEAR DRIVER

RGS-5299



TOOLS



CIRCUIT TESTER

Hooded probe protects your fingers and automatically centers the wires. Small size allows easy use even in the tightest places. Works up to 28volts.

IB25600



CIRCUIT TESTER

Works without damaging sensitive electronic components. Safe for use on 12-volt automotive computer circuits. Tool draws less than 21 M.A. at 12volts D.C. with an OPE rating range of 3-12 volts.

IB27450



INNOVA

TEST LIGHT/CIRCUIT TESTER

Helps to quickly identify if there is voltage present on wiring and circuits. Ergonomic grip design with 6ft test leads. Transparent handle shows bright LEDs to identify connections: Green = ground present, red = voltage present

3410



TONE GENERATOR SPEAKER POLARITY/ RCA CABLE TESTER

- Speaker tester with 9 volts
- RCA cable tester
- Easy to use control knobs
- Auto off function

IBR68



**NAVONE
ENGINEERING**

TONE GENERATOR

Will quickly help you isolate noise problems and locate the correct speaker wires in a car. Runs on a single 9volt battery and has both RCA and alligator clipped outputs.

IBN-899

**KLEIN
TOOLS**



MULTIMETERS MANUAL

- Measures up to 600volt AC/DC voltage, 10 amps AC/DC current and 2MΩ resistance
- Tests batteries and diodes

MM300

AUTO

- Measures up to 600V AC/DCV, 10A AC/DC current and 40Mff res.
- Measures capacitance, temp., frequency, duty-cycle, and test diodes and continuity
- CAT III 600V safety rating

MM400



AUTO-RANGING DMM 10 MEGOHM/UL

Auto-ranging™ scales eliminate the need to dial in the correct range when making electronic measurements. 10 MegOhm input impedance for safe automotive and household uses. Large digital display. Single-setting resistance function for voltage (AC & DC). Color-coded LEDs display battery quick check. Protective rubber corner guards for drop protection. Includes attachable test leads, holders and stand.

3320



PHASE TESTER 10 MEGOHM/UL

Allows the install technician to verify the absolute phase of each speaker in the system, both individually and as a group. Features a built-in microphone and comes with a test CD that includes in polarity and out of polarity pulses (in addition to 11 other useful test tracks). Adds a built in pulse generator for both speaker level and low level connections directly to a component (speaker amplifier, signal processor, etc). The PT-9A also comes with a protective carrying case and test leads.

EA-PT9A

TERMS & CONDITIONS

TERMS:

Net 30 days from date of invoice on approved accounts. Minimum order: \$50 per invoice, orders less than required minimum incur a \$20 service charge.

FREIGHT:

Freight on board (F.O.B.) from point of shipment. Freight will be charged on all drop-shipment orders.

CREDIT:

In order to establish a credit line with Metra, an application for credit must be submitted listing a minimum of five (5) trade references and a bank with their addresses and phone numbers and must be signed by a principal or authorized officer of the company. A credit line will be established by our credit manager and must be maintained in a current status according to our terms (net 30 days). Credit not established or revoked requires remittance with order. Returned checks are subject to a fee of \$32.00.

RESALE TAX EXEMPTION CERTIFICATE:

CA, TX, KY, NJ & FL customers must provide a valid resale card before an order can be placed.

CLAIMS:

Title and risk of loss passes to buyer at F.O.B. shipping point and all claims must be filed with carrier. Any discrepancies must be reported to Metra within ten (10) days of receipt of shipment.

RETURNS:

All sales are final. No returns or exchanges will be allowed without prior written authorization from Metra. All returns are subject to a 20% handling charge, must be in a saleable condition, and must have been purchased within sixty (60) days of return request. No stock balancing permitted. Copies of invoices must be mailed in advance for any return authorization (R.A.).

LIMITED WARRANTY:

Metra warrants all of its products, including all electronic kits, to be free from defects in material and workmanship for a period of 1 year from date of purchase. Metra will, at its option, repair, replace or allow credit on any part which, in Metra's opinion, is found defective under normal use. Warranty void on items misused, altered in any way, tampered with or serviced by anyone other than Metra. This warranty of merchantability of fitness neither assumes or authorizes any other person to assume for it, any other liability in connection with its products. In no event shall we be liable for any incidental or *consequential damages, or do we assume any other liability except provided herein.

BACK ORDERS:

If an item is temporarily unavailable for immediate shipment, we will back-order the item and ship as soon as possible from the nearest available warehouse, unless otherwise instructed.

Metra reserves the right to make changes in or deletions of products or prices without prior notice.

*Metra will not assume any responsibility for damages to person or property due to incorrect interpretation of the material in this publication. Metra is not responsible for typographical or printing errors. Reproductions of editorial or pictorial content is strictly prohibited without prior consent from Metra.



WARNING: This catalog does not advise whether a State of California Proposition 65 warning is required for a particular item of merchandise. To learn whether a particular item of merchandise requires a California Proposition 65 warning, please be sure to look up and read the particular merchandise's listing on Metra's website www.MetraOnline.com, as well as read the particular merchandise's packaging. When a California Proposition 65 warning is present on Metra's website listing for the particular merchandise, or on the particular merchandise's packaging, a compliant California Proposition 65 warning is to be provided to the purchasing California consumer prior to the sale of the particular merchandise.

#MetraMarine



www.facebook.com/MetraElectronics



www.twitter.com/MetraElectronic



www.youtube.com/user/MetraElectronics



www.instagram.com/MetraElectronics



Order Anytime Day or Night at www.MetraDealer.com



Download all our New Catalogs at www.MetraOnline.com



MetraMarine.com
MetraOnline.com
MetraDealer.com
ORDERS: 386.257.2956

© Copyright 2021 - Metra Electronics Corporation

CORPORATE HEADQUARTERS

Metra Electronics Corporation
460 Walker Street
Holly Hill, FL 32117-2699

Metra Corporate: 386.257.1186
Metra 12volt & International Sales: 386.257.2956
Sales Fax: 386.258.3940

WAREHOUSE OPERATIONS

Daytona Beach, FL
Dallas, TX
Freehold, NJ
Lexington, KY
Fresno, CA
Long Beach, CA

OVERSEAS OPERATIONS

Taipei, Taiwan R.O.C. • Hong Kong



MARINEBRO-21