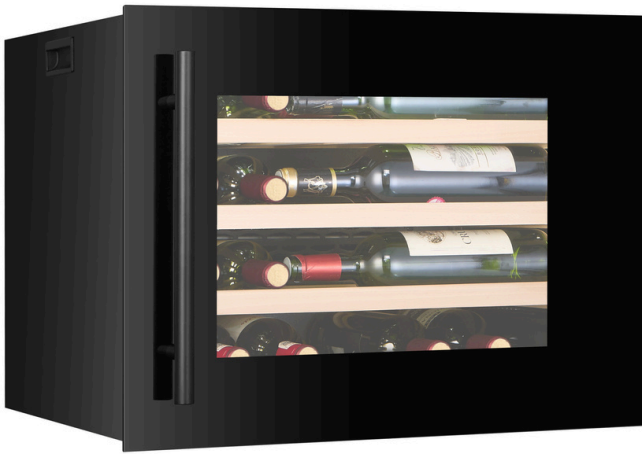


VIGNERON KITCHEN BUILT-IN, VKB45SB-G2

Vigneron Kitchen Built-In is our wine cooler series specifically designed for installation in kitchen cabinets. The series is available in six different sizes and comes in both black and stainless steel to match your kitchen interior.



Design & Function

- Integrated wine cooler with black or stainless-steel front.
- Pull-out shelves in beech wood
- Dimmable LED lighting with four settings
- Touch panel for adjusting temperature and lighting



Available In:



Capacity & zones

Temperature zones:

Temperature: 5-20 °C

Shelves: 3 pull-out shelves

Uv-protected glass: Yes

Active carbon filter: Yes

Performance

Energy consumption: 100 kWh/år

Power consumption: 125 W

Weight: 24,5kg

Energy class: F

Voltage: 220-240V

Cord length: 2m

Reversible door: Yes

Warranty: 5 years

Door lock: No

Dimensions

Product dimensions: H:453 W:590 D:555mm

Packaging dimensions: H:525 W:655 D:640mm



Accessories

DZ01-1562-3 - Black steel shelf front

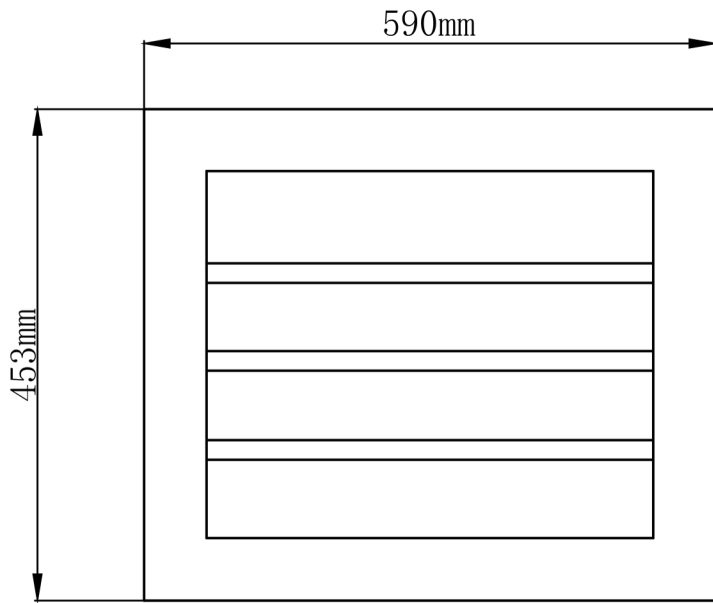
DZ01-1562 - Stainless steel shelf front

ZJ11-0140 - Standard shelf

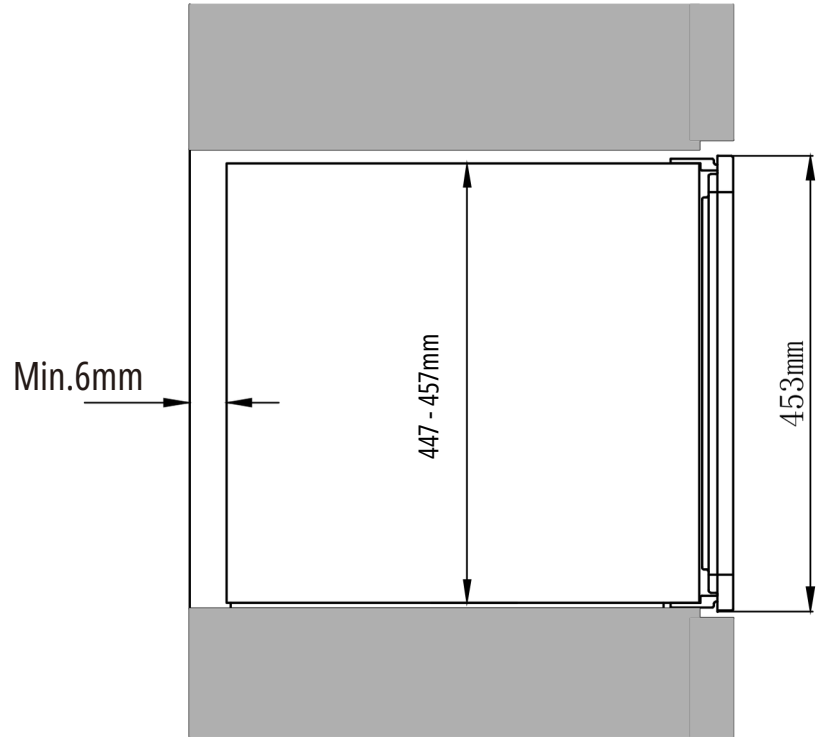
ZJ11-0160 - Label-view shelf



Front View



Side View



Top View

