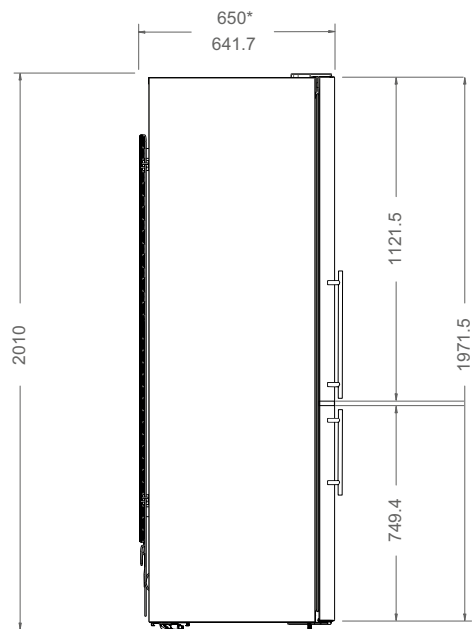
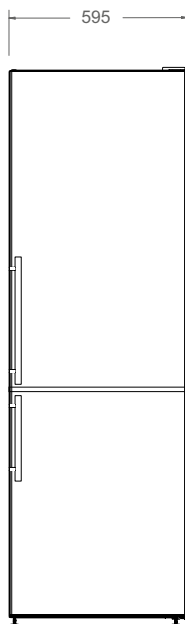


PRODUCT DIMENSIONS

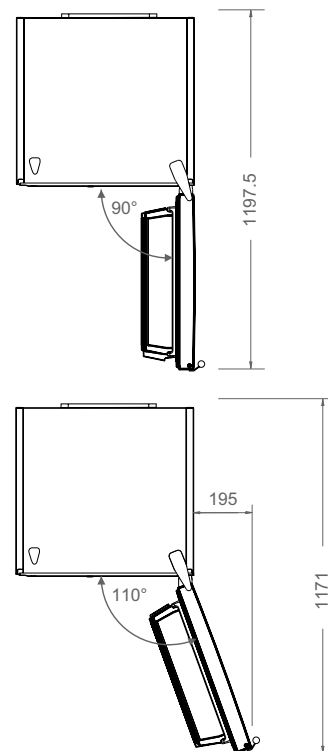
SIDE VIEW



FRONT VIEW



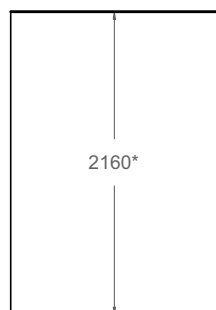
TOP VIEW



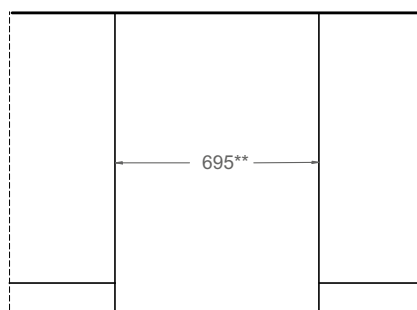
* with condenser

CUTOUT DIMENSIONS

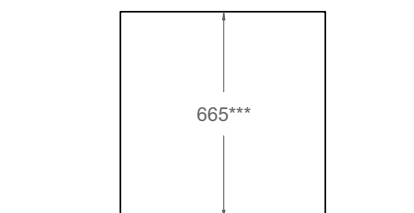
SIDE VIEW



FRONT VIEW



TOP VIEW



* dimension with a minimum clearance of 150 mm on top

** dimension with a minimum clearance of 50 mm on both sides

*** dimension with a minimum clearance of 15 mm on back