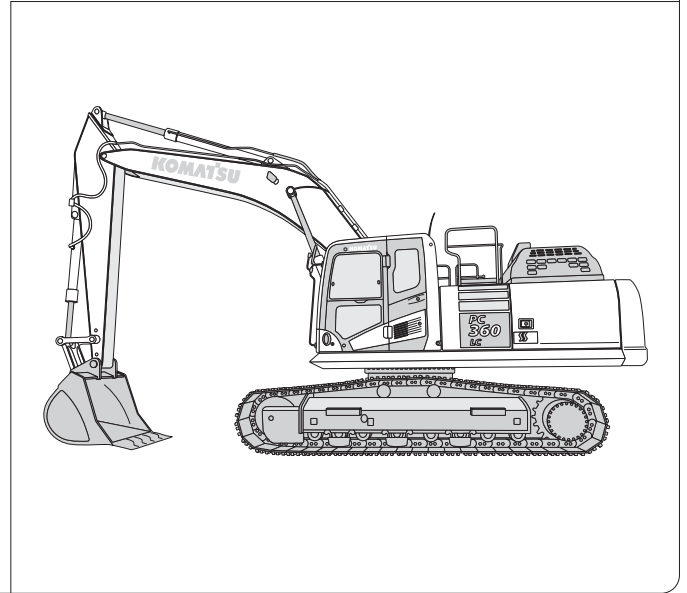
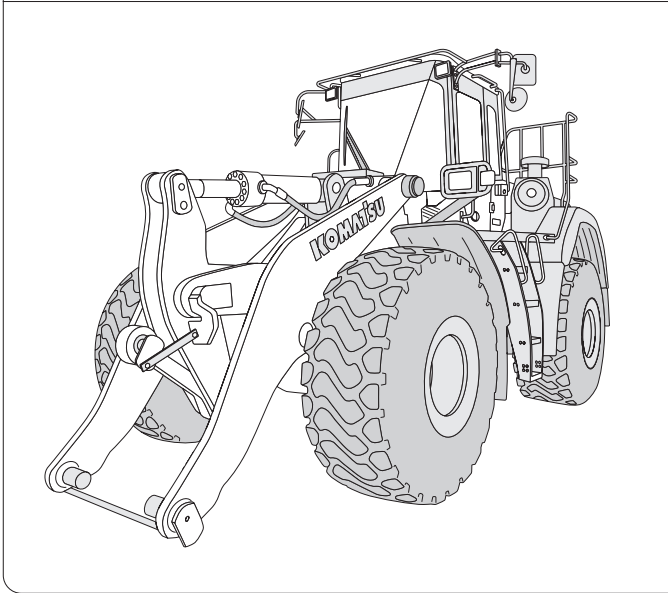


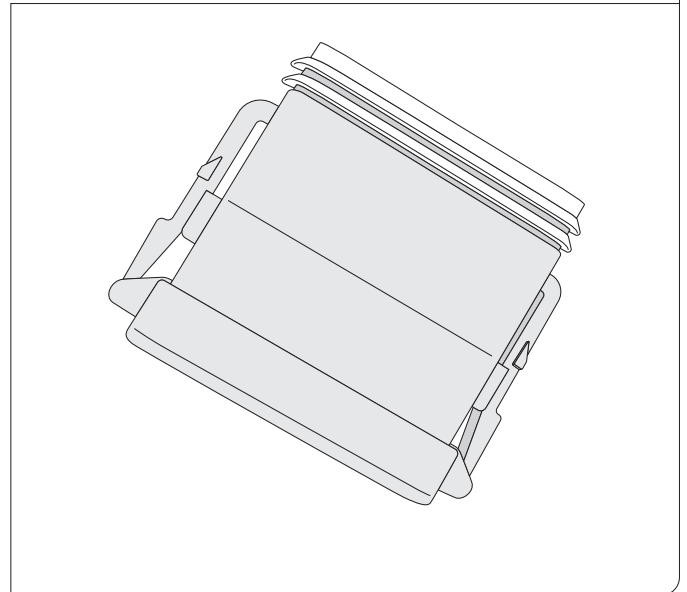
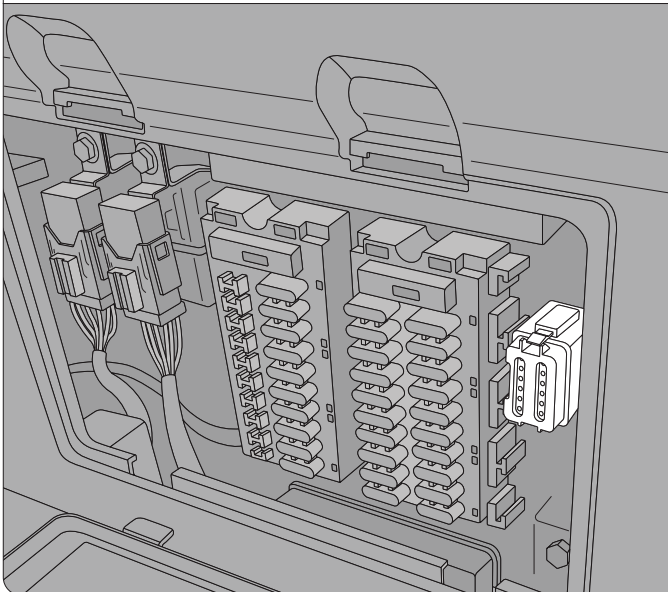
For the most up-to-date version, please visit: <https://gtb.page.link/sC4S>

This document describes how to install a GO RUGGED device using a HRN-RC12T2 harness in Komatsu assets, 2010 or newer, equipped with Tier 4 engines.

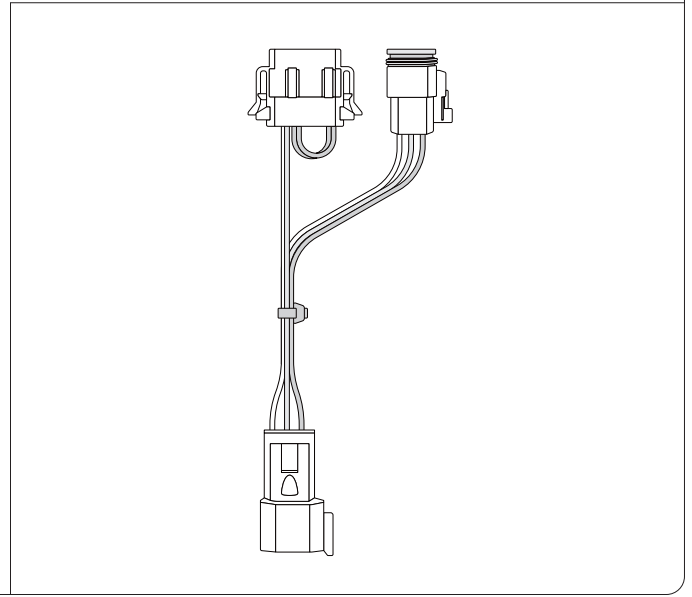
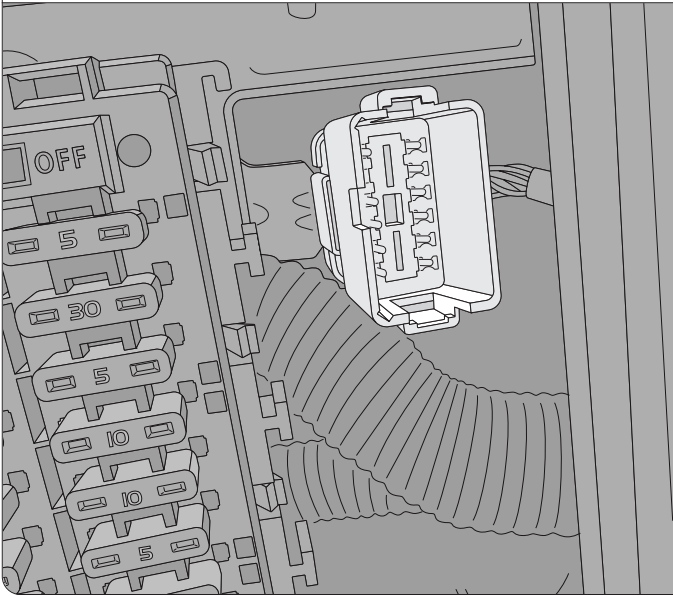


## Installation steps

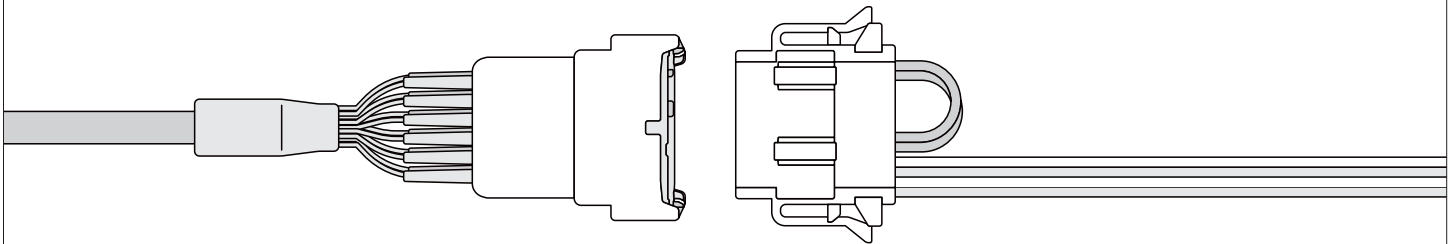
- 1) Locate the data connector in the operator's cab, typically in the fuse panel. Remove it from its mounting bracket and insert the C3 connector into the existing mounting bracket. If there is a data connector or terminating resistor in the OEM connector, remove and insert it into the C3 connector.



2) Insert C2 into the OEM data connector.



3) Connect the C1 connector into the GO RUGGED device, and then mount the GO RUGGED device in the best suitable spot according to the wire length and positioning for network and GPS connectivity.



4) Once the GO RUGGED installation is complete, start the vehicle and wait for the GO device to initialize. This process can take up to five minutes and the device will beep throughout. Ensure that all three LEDs are active:

- The **red** LED indicates ignition
- The **blue** LED indicates a GPS signal
- The **green** LED indicates a cellular network connection
- If any of the LEDs are not active, please contact support for troubleshooting.