

GO RUGGED device installation using HRN-RW03K4

This document describes how to install a GO RUGGED device using the HRN-RW03K4, intended for generic engines with no available ECM connector.

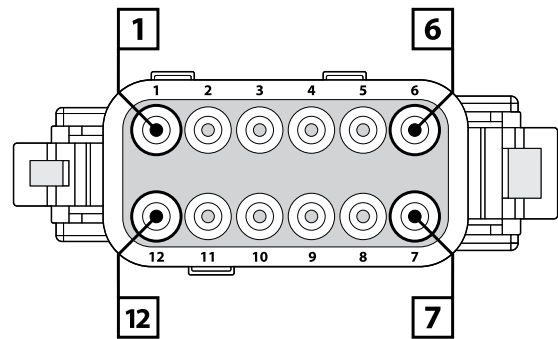
Professional Installation Required – Installation of the HRN-RW03K4 requires the installer to have sufficient technical knowledge and expertise for off-road equipment installation, i.e. Certified Geotab® Installer certification or equivalent.

WARNING! Prior to HRN-RW03K4 installation, read and follow GO RUGGED device installation instructions (goo.gl/fLCCgd) to ensure GO RUGGED device installation is correct in preparation for HRN-RW03K4 installation. Incorrect installation of either the GO RUGGED device, and/or HRN-RW03K4 can result in loss of equipment control and serious injury.

WARNING! Prior to HRN-RW03K4 installation, read and follow Important Safety Information and Limitations of Use (goo.gl/VEvruL). Always read and follow all safety information to prevent loss of equipment control and serious injury.

Step 1

Locate ground, power, and ignition (true ignition is preferred - see the note in Step 2 for more information) on the asset.



12-Pin Connector PIN	Function	Colour
1		Blue
2		Blue
3		
4		Blue
5		
6	Ground (Earth)	Black
7	Power (12v/24v)	Red
8		
9	Ignition	Yellow
10		Blue
11		Blue
12		Blue

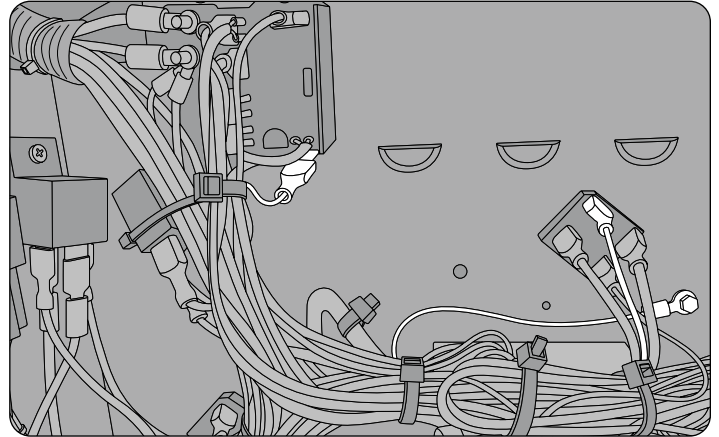
Step 2

Validate the ignition source, preferably true ignition (see note). While the engine is running, verify that the battery has a voltage reading of 12 to 24 V.

***NOTE:** True ignition provides the most accurate ignition on time and engine hours data, which minimizes data inconsistencies between the manufacturer and Geotab.

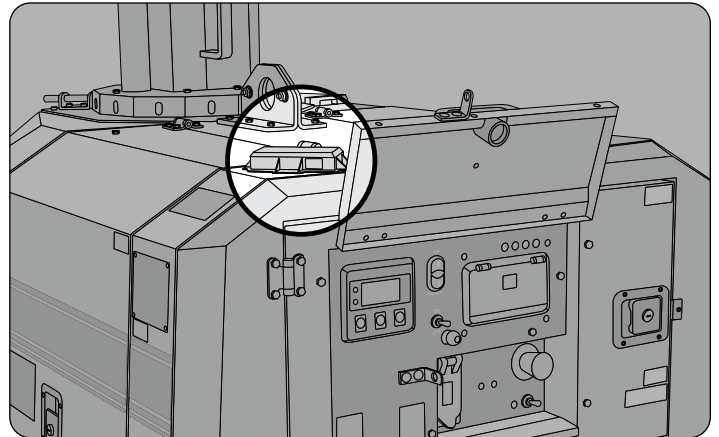
Step 3

After locating the connection points on the asset's control panel, connect the ground, power, and true ignition wires of the HRN-RW03K4.



Step 4

Once the connections are established, place and secure the GO RUGGED device in a suitable area to receive both network and GPS communication, and ensure the HRN-RW03K4 remains connected to the GO RUGGED device.



Step 5

Once the installation is complete, turn the asset on and wait for the GO RUGGED device to initialize. The initialization process – indicated by the periodic beeps of the device – may take up to five minutes to complete. When the three LEDs turn solid, the initialization process is complete:

Red: Indicates ignition and device configuration.

Blue: Indicates GPS network connection.

Green: Indicates network cellular connection.

