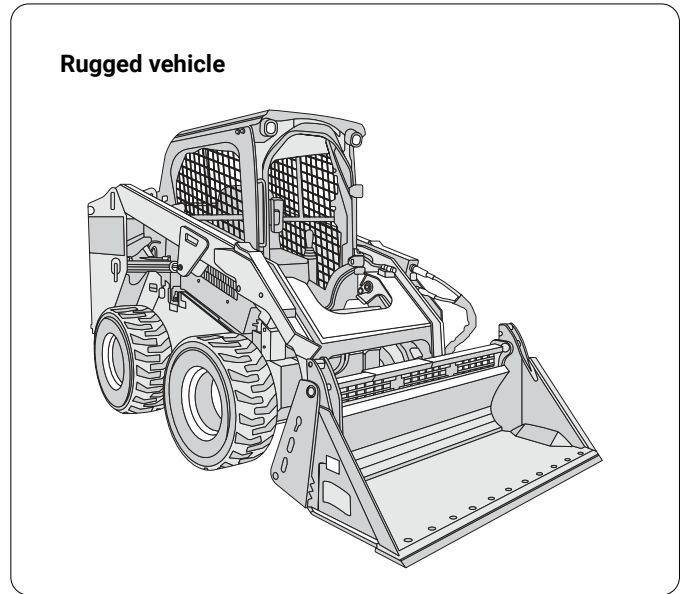
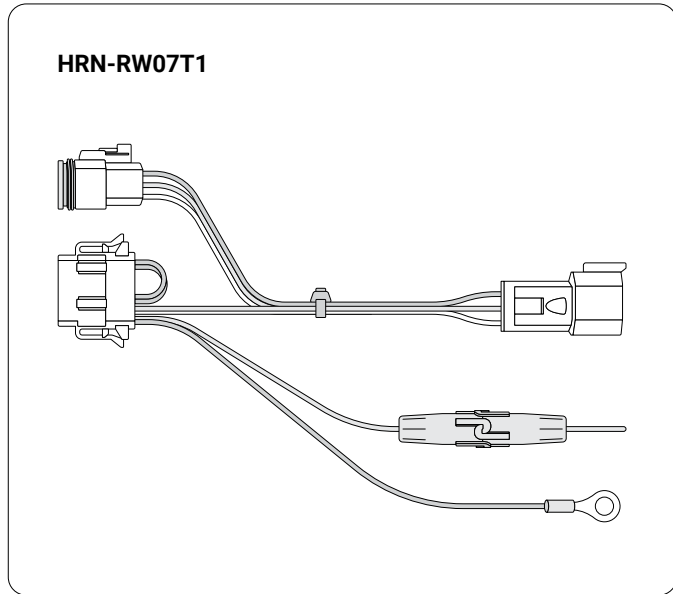
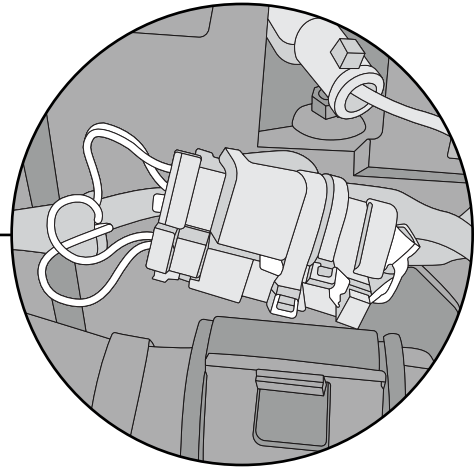
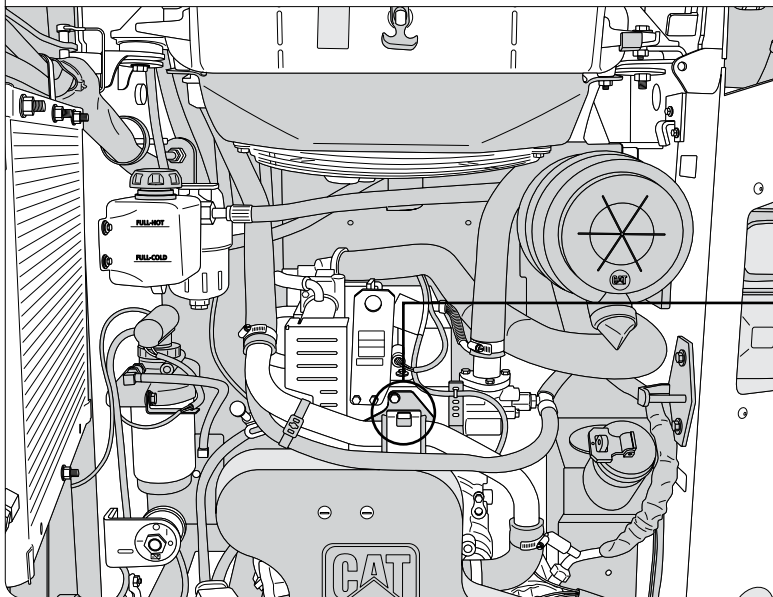


Installation Guide for HRN-RW07T1



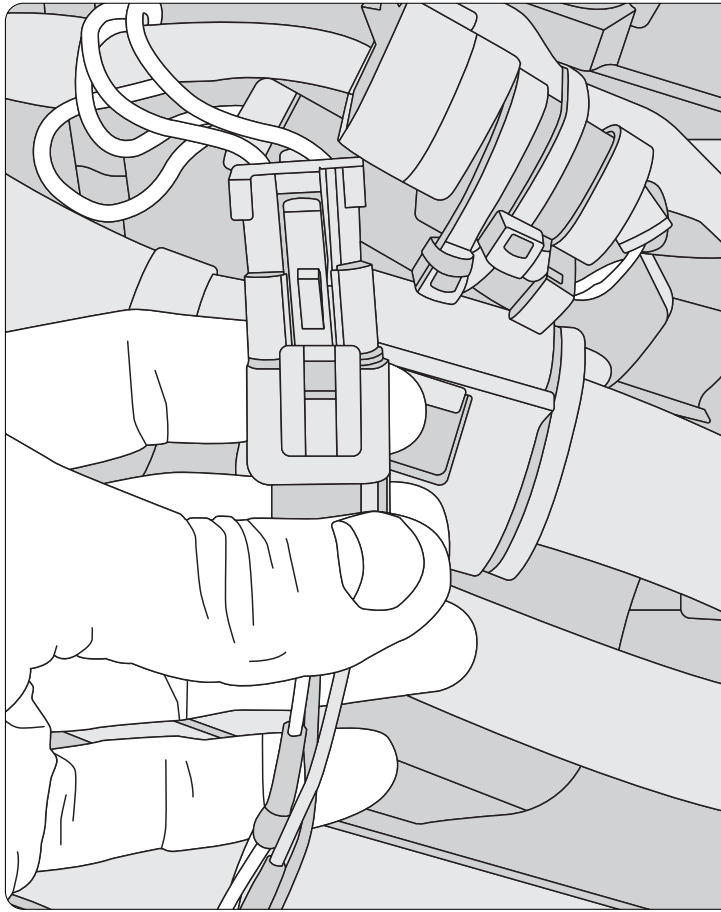
Installation steps

1) Open the engine compartment and then locate and validate the J1939 data connector lines:



2) If the J1939 data connector has a terminating resistor or cap, remove it.

3) Using a voltmeter, validate the CAN high and CAN low values, and then compare those values to the CAN high and CAN low on the HRN-RW07T1. Make sure they match. Select the appropriate lock taps for C1 and C2 according to the OEM harness.

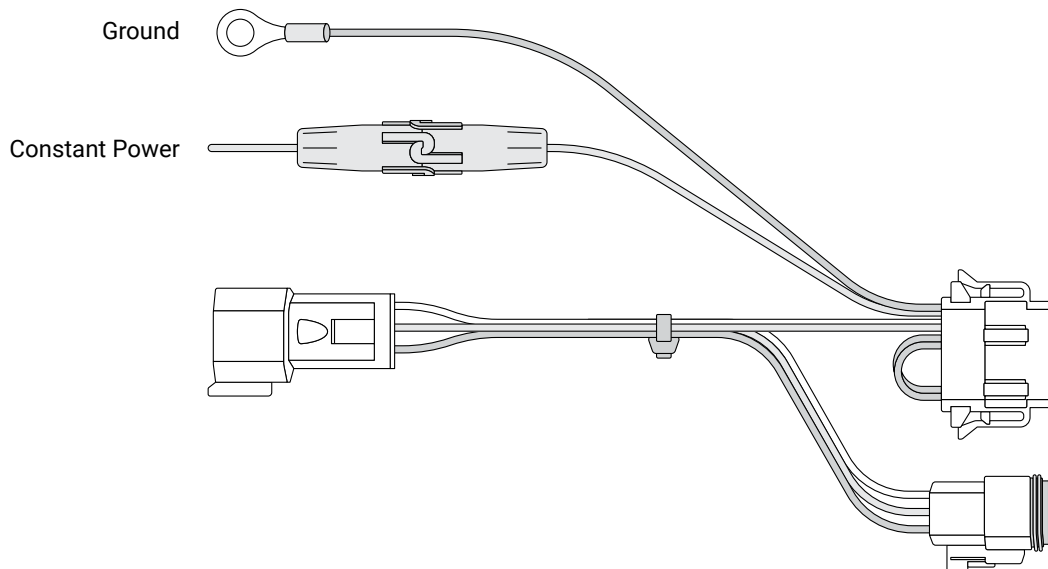


4) Plug the HRN-RW07T1 into the corresponding connector on the asset:

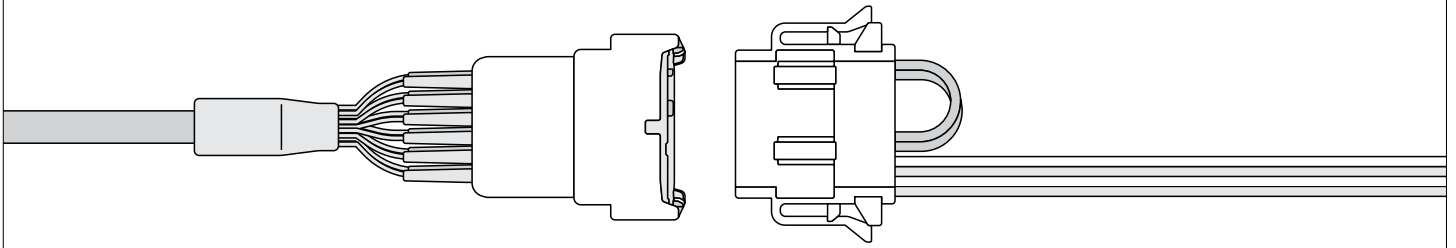
5) If you removed a terminating resistor or cap in step 2, place it on the C1 of the HRN-RW07T1.

6) Once the C1 and C2 connectors have been installed into the asset, do the following:

- Locate the existing ground on the asset and install the harness ground lead.
- Locate the existing constant power on the asset and install the red power lead



7) Plug the C3 connector of the HRN-RW07T1 into the GO RUGGED device:



8) Once all connections have been made, mount the GO RUGGED device in the best suitable spot according to the wire length and positioning for network and GPS connectivity.

9) Once the GO RUGGED installation is complete, start the vehicle and wait for the GO device to initialize. This process can take up to five minutes and the device will beep throughout. Ensure that all three LEDs are active:

- The **red** LED indicates ignition
- The **blue** LED indicates a GPS signal
- The **green** LED indicates a cellular network connection
- If any of the LEDs are not active, please contact support for troubleshooting.

