

HRN-RW08K1 Installation on RUGGED Equipment

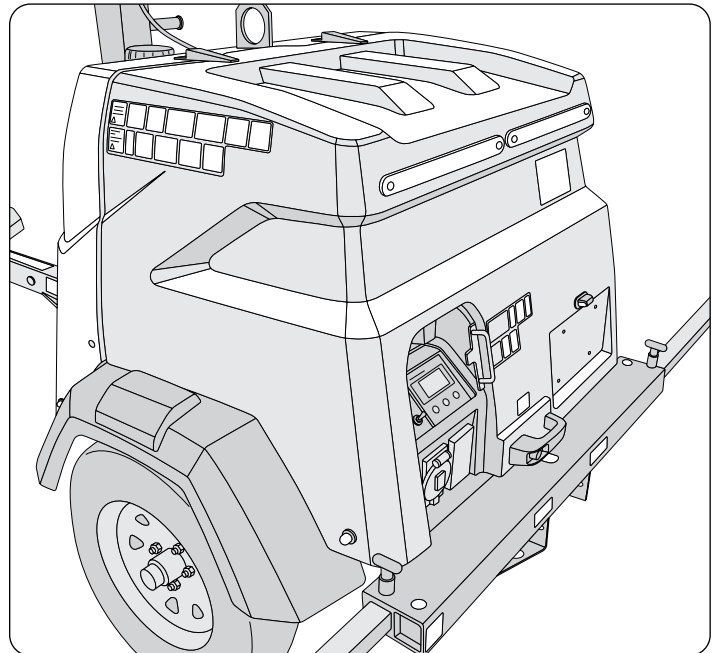
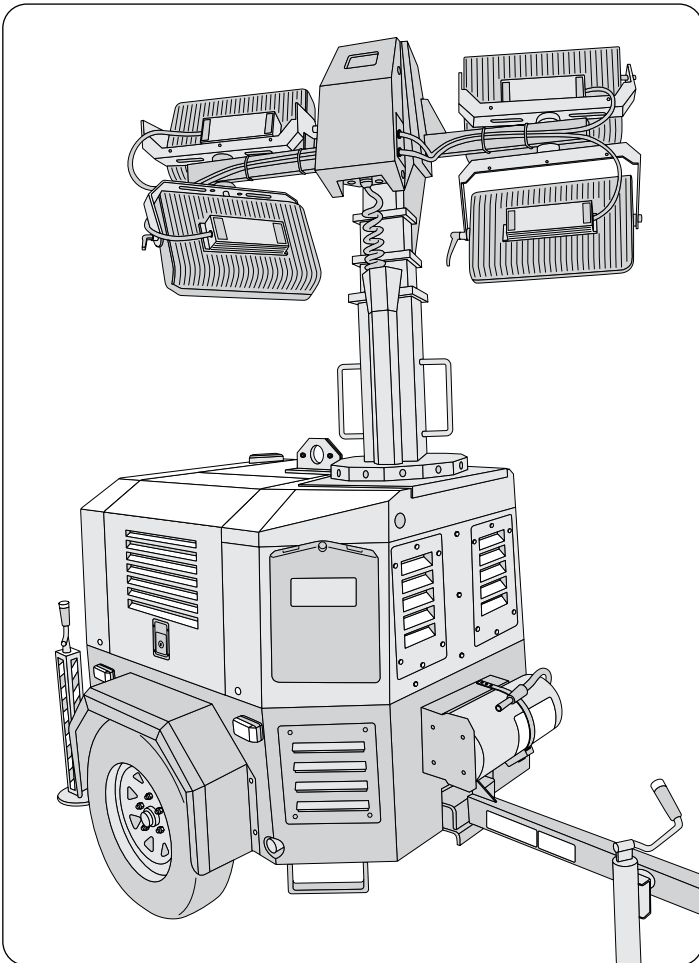
This document provides step-by-step instructions to install the HRN-RW08K1 on a generic engine control module, with no available connector, and is intended to be used with the GO RUGGED device.

Professional Installation Required – Installation of the HRN-RW08K1 requires the installer to have sufficient technical knowledge and expertise for off-road equipment installation, i.e. Certified Geotab® Installer certification or equivalent.

WARNING! Prior to HRN-RW08K1 installation, read and follow GO RUGGED device installation instructions (goo.gl/fLCGgd) to ensure GO RUGGED device installation is correct in preparation for HRN-RW08K1 installation. Incorrect installation of either the GO RUGGED device, and/or HRN-RW08K1 can result in loss of equipment control and serious injury.

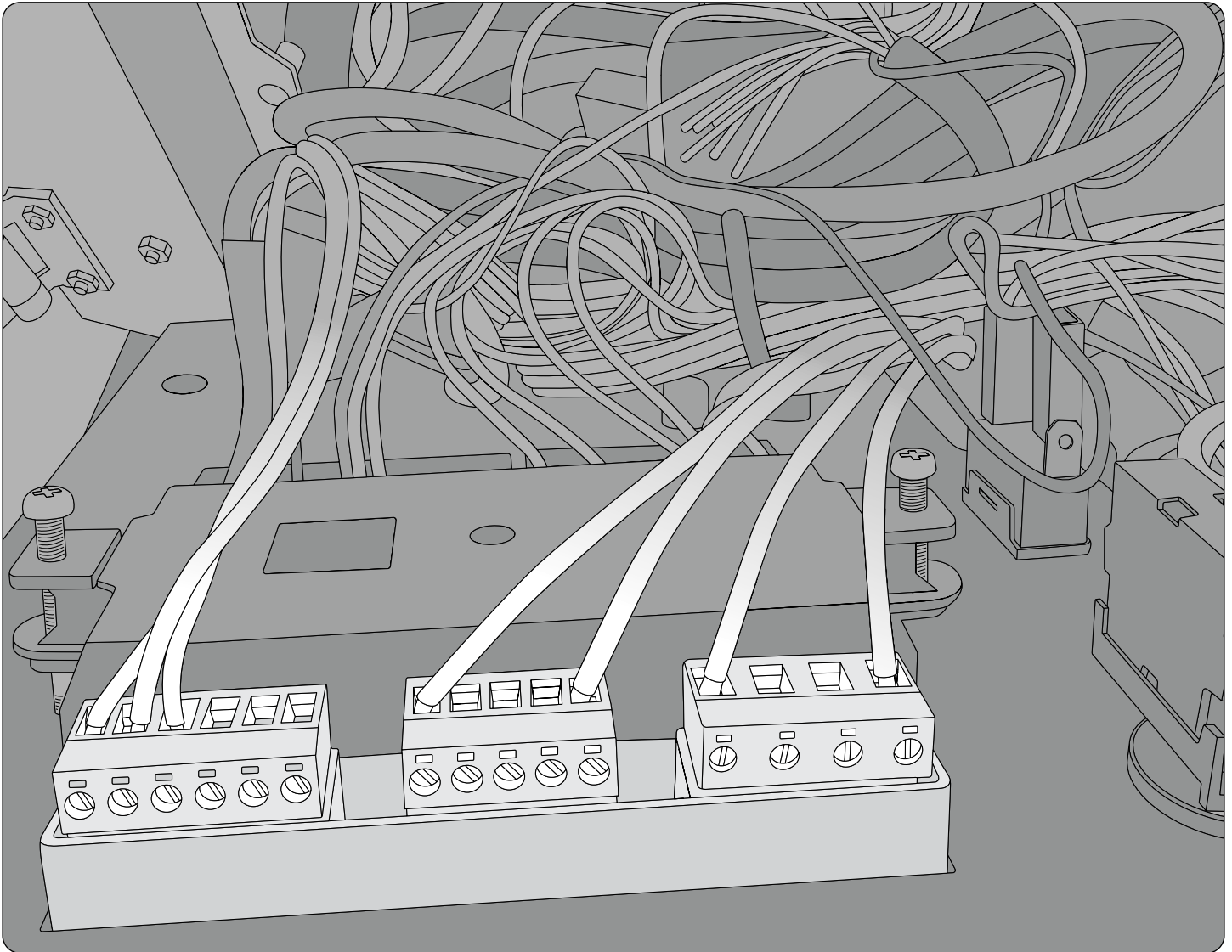
WARNING! Prior to HRN-RW08K1 installation, read and follow Important Safety Information and Limitations of Use (goo.gl/VEvruL). Always read and follow all safety information to prevent loss of equipment control and serious injury.

NOTE: For illustration purposes, this guide demonstrates the harness installation on a light stand.



Step 1

Locate the control panel, then locate the connection points as well as the power, ground, and data cables on the asset. Prior knowledge is required to identify networks in different assets.



Step 2

Once the connection points are identified, connect the power and ground using the provided wiring table. Use the consumables provided in the HRN-RW08K1 kit to assist with the installation.

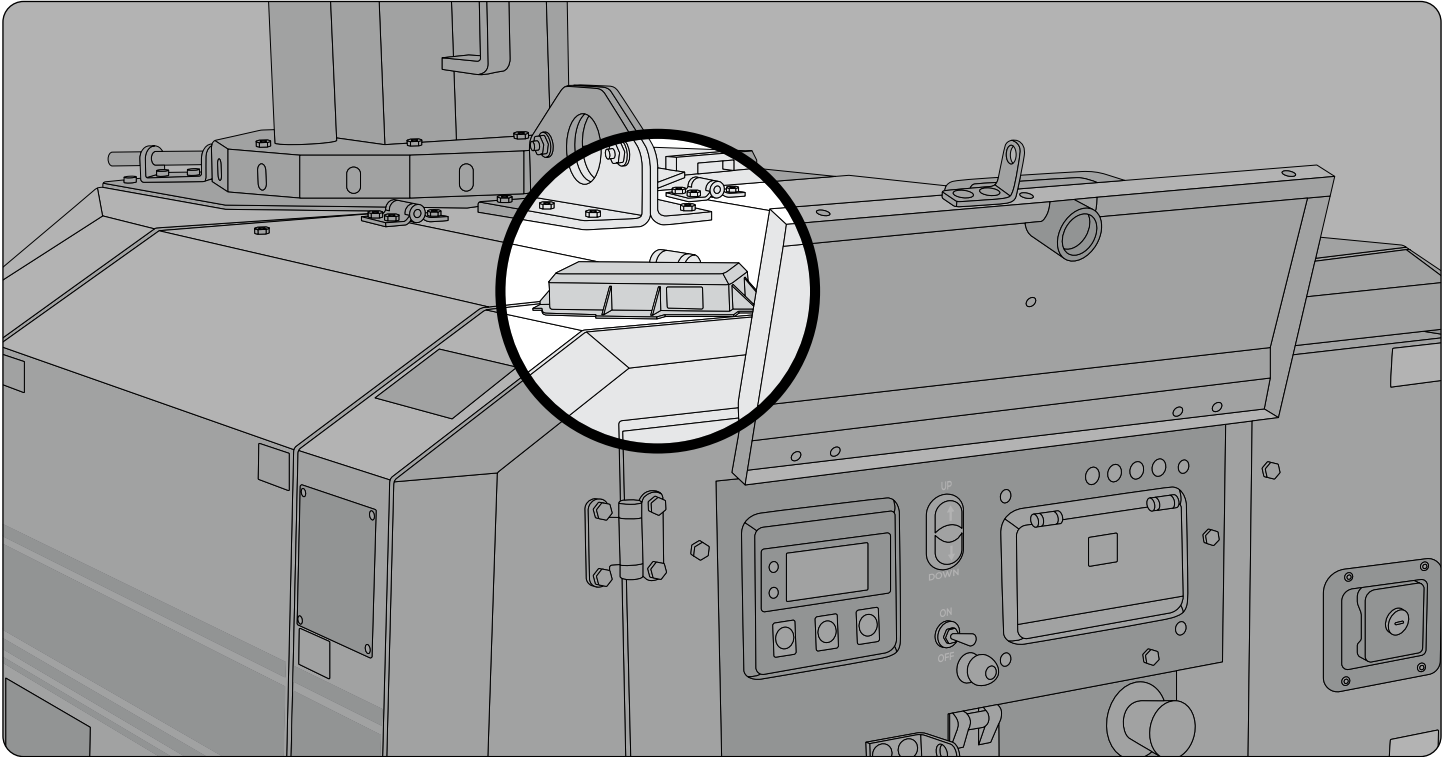
Wiring Table				
C1	Wire Colour	Wire Gauge	WIRE	WIRE END
1	BLACK	22 AWG	GROUND	LOOSE WIRES
2	WHITE		CAN-LOW	
3	GREY		L-LINE	
4	BROWN		J1850(-)	
7			SHORTED WITH L-LINE	C1
9	GREEN		J1850(+)	
10	ORANGE		K-LINE	
11	BLUE		CAN-HIGH	
12	RED		POWER	

Step 3

Make all necessary network connections and any IOX connections, if required.

Step 4

Once the connections are established, place and secure the GO RUGGED device in a suitable area to receive both network and GPS communication, and ensure the HRN-RW08K1 remains connected to the GO RUGGED device.



Step 5

Once the installation is complete, turn the asset on and wait for the GO RUGGED device to initialize. The initialization process – indicated by the periodic beeps of the device – may take up to five minutes to complete. When the three LEDs turn solid, the initialization process is complete:

- Red:** Indicates ignition and device configuration.
- Blue:** Indicates GPS network connection.
- Green:** Indicates network cellular connection.

