



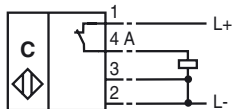
CE

Model Number

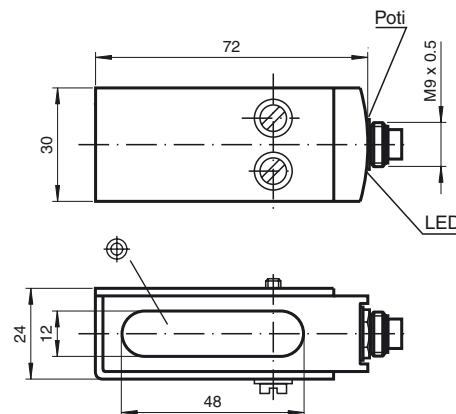
FTK40 5.4039/1401K

Connection

E3



Dimensions



Technical Data

General specifications

Switching element function	PNP	NC
Rated operating distance	s_n	10 mm
Installation	not embeddable	
Output polarity	DC	
Assured operating distance	s_a	0 ... 8 mm

Nominal ratings

Operating voltage	U_B	18 ... 30 V
Switching frequency	f	100 Hz
Hysteresis	H	0.1 ... 0.3 mm
Reverse polarity protected	reverse polarity protected	
Short-circuit protection	pulsing	
Voltage drop	U_d	≤ 2.5 V
Operating current	I_L	0 ... 400 mA
Off-state current	I_r	0 ... 0.5 mA typ. 0.01 mA
No-load supply current	I_o	≤ 30 mA
Indication of the switching state	LED, yellow	

Ambient conditions

Ambient temperature	0 ... 70 °C (32 ... 158 °F)
Storage temperature	0 ... 70 °C (32 ... 158 °F)

Mechanical specifications

Housing material	PC Makrolon, aluminum
Sensing face	CuZn, nickel-plated
Protection degree	IP54

Compliance with standards and directives

Standard conformity	
Standards	EN 60947-5-2:2007 IEC 60947-5-2:2007

Approvals and certificates

CCC approval	Products with a maximum operating voltage of ≤ 36 V do not bear a CCC marking because they do not require approval.
--------------	--