

**Three-phase asynchronous DA 160..54 W.. (IP 54 water-cooled)**

Mains voltage 3 AC 400 V for converters with uncontrolled supply

Nom. speed	Motor type	Nom. power	Nom. torque		Nom. current	Nom. voltage	Limit speed with field weakening	Max. operating speed	Power factor	Magnetizing current	Efficiency	Nom. frequency	
$n_N$ min <sup>-1</sup>		$P_N$ kW	$P_N$ hp	$M_N$ Nm	$M_N$ lbf ft	$I_N$ A	$U_N$ V	$n_1$ min <sup>-1</sup>	$n_{max}$ min <sup>-1</sup>	cos $\varphi$	$I_{\mu}$ A	$\eta_N$	$f_N$ Hz
1000	DA160K54W10-5	26	34.9	248	183	59	345	2500	4500	0.82	28.5	0.882	34.5
	DA160M54W10-5	32	42.9	306	226	72	345	2500	4500	0.83	35.0	0.892	34.4
	DA160L54W10-5	37	49.6	353	260	85	340	3000	4500	0.83	42.0	0.896	34.4
1500	DA160K54W15-5	38	51.0	242	178	86	345	2400	4500	0.81	36.5	0.905	51.3
	DA160M54W15-5	47	63.0	299	221	105	345	2400	4500	0.83	43.5	0.912	51.2
	DA160L54W15-5	55	73.8	350	258	118	355	2200	4500	0.82	49.5	0.915	51.2
2000	DA160K54W20-5	48	64.4	229	169	100	350	3000	4500	0.85	36.0	0.920	68.0
	DA160M54W20-5	60	80.5	287	212	131	345	3500	4500	0.83	54.0	0.925	67.9
	DA160L54W20-5	70	93.9	334	246	153	350	3000	4500	0.82	66.0	0.928	67.8
2500	DA160K54W25-5	58	77.8	222	164	127	345	4500	4500	0.81	53.0	0.928	84.5
	DA160M54W25-5	72	96.6	275	203	149	355	3500	4500	0.84	56.0	0.932	84.5
	DA160L54W25-5	82	110.0	313	231	176	350	4000	4500	0.82	74.0	0.935	84.4
3000	DA160K54W30-5	65	87.2	207	153	141	345	4500	4500	0.82	58.0	0.933	101.2
	DA160M54W30-5	80	107.3	255	188	169	350	4500	4500	0.83	66.0	0.936	101.1
	DA160L54W30-5	92	123.4	293	216	210	325	4500	4500	0.83	85.0	0.938	101.1

Nom. speed $n_N$ min <sup>-1</sup>	Motor type	Inertia		Weight	
		J kgm <sup>2</sup>	J lb ft <sup>2</sup>	m kg	m lb
1000	DA160K54W10-5	0.245	5.81	235	518
	DA160M54W10-5	0.303	7.19	275	606
	DA160L54W10-5	0.346	8.21	310	683
1500	DA160K54W15-5	0.245	5.81	235	518
	DA160M54W15-5	0.303	7.19	275	606
	DA160L54W15-5	0.346	8.21	310	683
2000	DA160K54W20-5	0.245	5.81	235	518
	DA160M54W20-5	0.303	7.19	275	606
	DA160L54W20-5	0.346	8.21	310	683
2500	DA160K54W25-5	0.245	5.81	235	518
	DA160M54W25-5	0.303	7.19	275	606
	DA160L54W25-5	0.346	8.21	310	683
3000	DA160K54W30-5	0.245	5.81	235	518
	DA160M54W30-5	0.303	7.19	275	606
	DA160L54W30-5	0.346	8.21	310	683

Maximum standstill torque

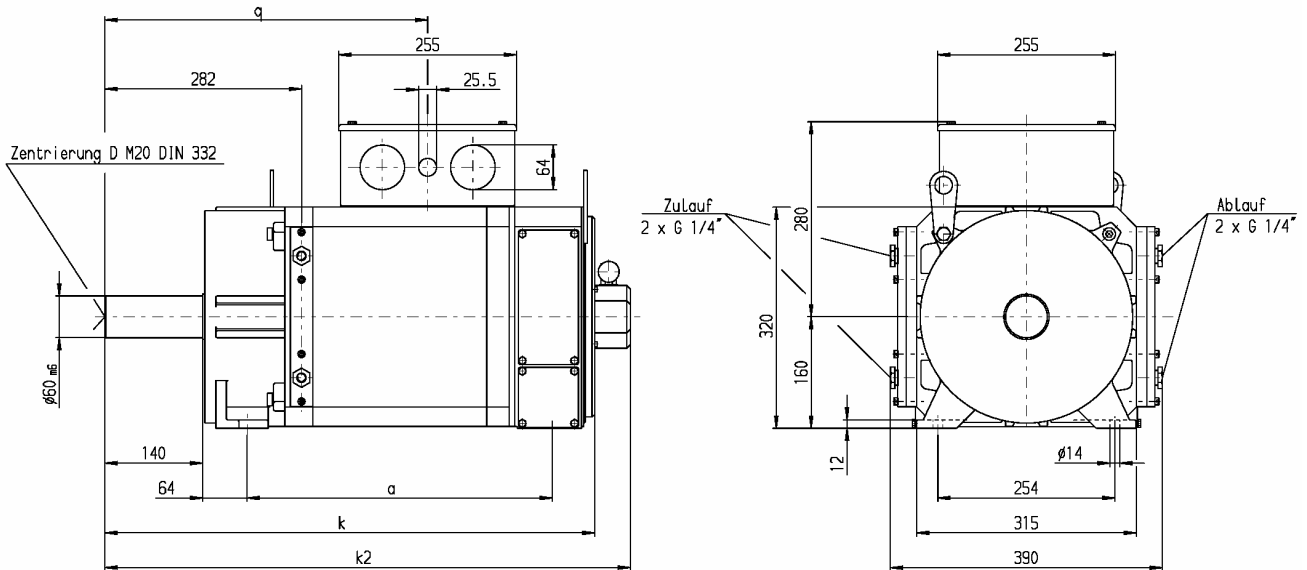
Motor type	$M_{0,max}$ [Nm]	$M_{0,max}$ [Nm]
DA160K54W	496	366
DA160M54W	612	451
DA160L54W	706	521

Legend

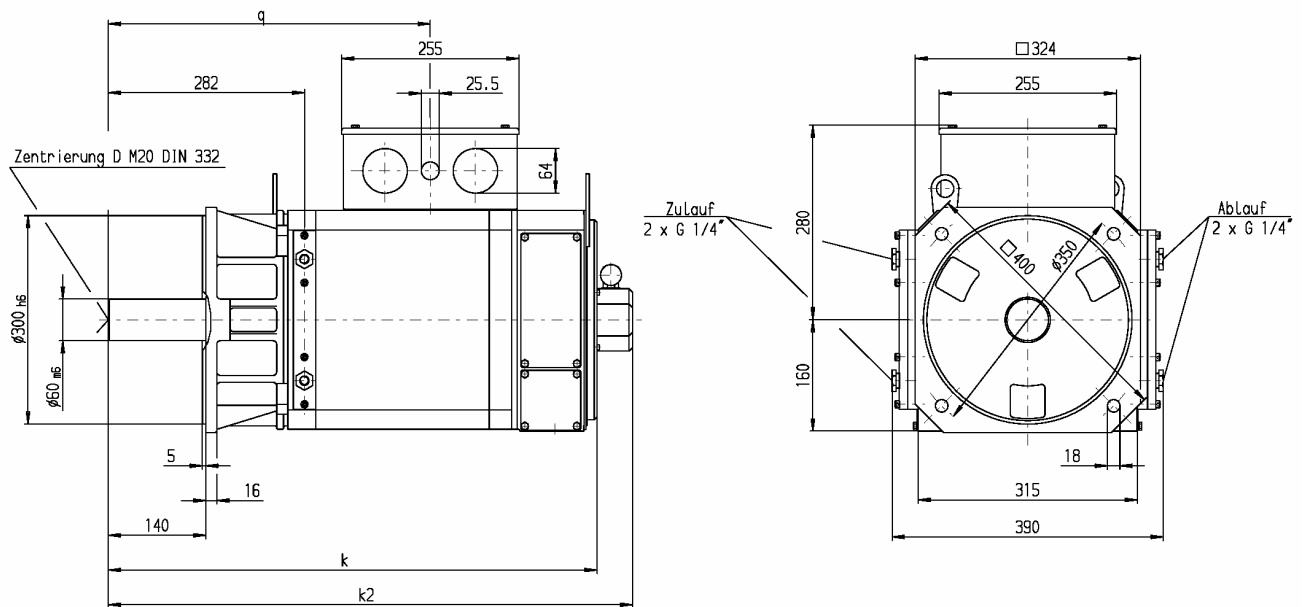
American units
----------------

**Dimension drawing DA 160 .. W**

Version IMB3 standard  
DA..100..54W..



Version IMB5 standard  
DAF..160..54W..



Type DA	a	k	k2	q
DA 160 K..W..	438	703	754	463
DA 160 M..W..	498	763	814	523
DA 160 L..W..	548	813	864	573

Brake k2 + 150 mm

Zentrierung / Centering

Zulauf / Inflow

Abfluss / Drain