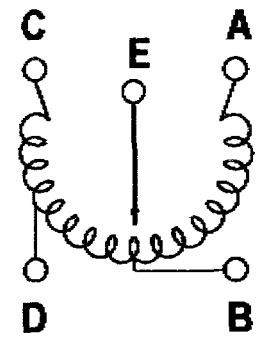
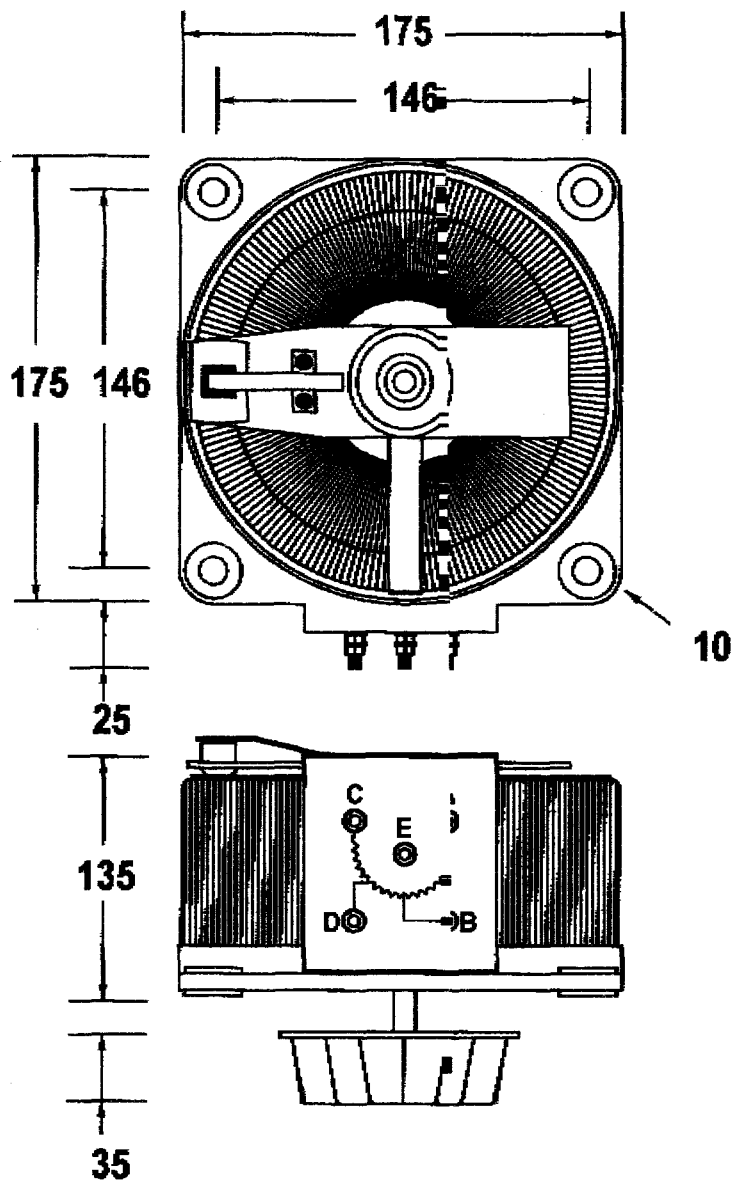


**OPEN STYLE VARIABLE TRANSFORMERS**



**INPUT 240 V AT A-C OR A-D  
OUTPUT 0-240 OR 0-270 AT A-E**

**CONNECTION DIAGRAM**

**TYPE CMV 10F-1 RATING 10 AMP  
WEIGHT KGS**

|        |   |   |       |   |            |          |        |       |
|--------|---|---|-------|---|------------|----------|--------|-------|
| REV No | 4 | <b>CAPROL &amp; REYNELL LTD</b><br>ELECTRICAL ENGINEERS<br>TEL. 0162 617406 | TITLE | R S COMPONENTS<br>VARIABLE TRANSFORMER<br>TYPE CMV10F-1 | DRAWN      | APPROVED | DATE   | SCALE |
|        | 3 |   |       |   | RWC        |          | 2/3/00 | NTS   |
|        | 2 |   |       |   | DRAWING No | REV      | PAGE   |       |
|        | 1 |   |       |   | 347-3631   | 0        |        |       |