

**Jabra** GN

INSTALLATION MANUAL



# PANACAST 50 VBS

Technology for life's new rhythm

© 2024 GN Audio A/S. All rights reserved. Jabra® is a trademark of GN Audio A/S. The Bluetooth® word mark and logos are registered trademarks owned by the Bluetooth SIG, Inc. and any use of such marks by GN Audio A/S is under license.

---

Made in China

MODEL: VSM040; VTD040



---

**Declaration of Conformity** can be found on [www.jabra.com/doc](http://www.jabra.com/doc)

1. Welcome.....	5	4.2 Screen mount installation	
2. Overview.....	6	4.3 Table stand installation	
2.1 Jabra PanaCast 50 VBS bar overview		4.4 Installation height	
2.2 Jabra PanaCast Control overview		4.5 Touch controller placement	
2.3 Included accessories - Jabra PanaCast 50 VBS bar		5. Cabling .....	21
2.4 Included accessories - Jabra PanaCast Control		5.1 Room system cabling	
2.5 Optional accessories		5.2 Room system cabling - video bar only	
2.6 Dimensions - Jabra PanaCast 50 VBS bar		5.3 Touch controller cabling	
2.7 Dimensions - Jabra PanaCast Control		5.4 BYOD (Bring Your Own Device) mode	
3. Room setup guide .....	15	6. Configuring.....	29
4. Mounting .....	16	6.1 Configuration using the touch controller	
4.1 Wall mount installation		6.2 Configuration using the video bar	
		7. Pairing .....	32

8. Remote management .....	33
9. Software .....	34
9.1 Operating system	
10.Restart devices.....	35
11.Factory reset .....	38
12.Languages.....	41
13.Support.....	42
13.1FAQ and technical specifications	
13.2How to care for your Jabra device	

# 1. Welcome

Thank you for choosing the Jabra PanaCast 50 VBS. We hope you will enjoy it!

Here are some key features you will benefit from by using the Jabra PanaCast 50 VBS:

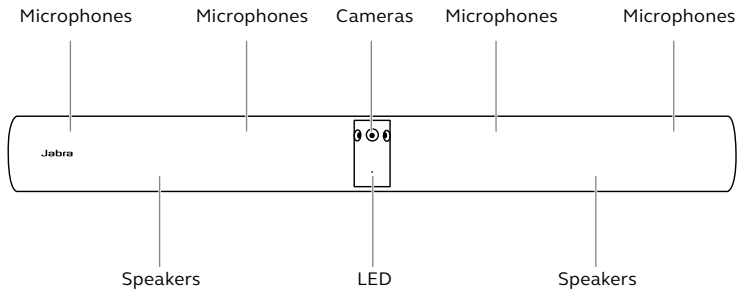
- World-class audio with full duplex and powerful stereo speakers
- Unique 180° full room coverage in high-definition Panoramic-4K for a more natural view of the meeting room
- Access to an easier meeting experience with the touchscreen-activated PanaCast Control
- Certified for the strict requirements of Microsoft Teams Rooms and Zoom Rooms to connect, share, and collaborate seamlessly and securely
- On-device AI that powers a range of intelligent features for immersive and natural virtual collaboration

## 2. Overview

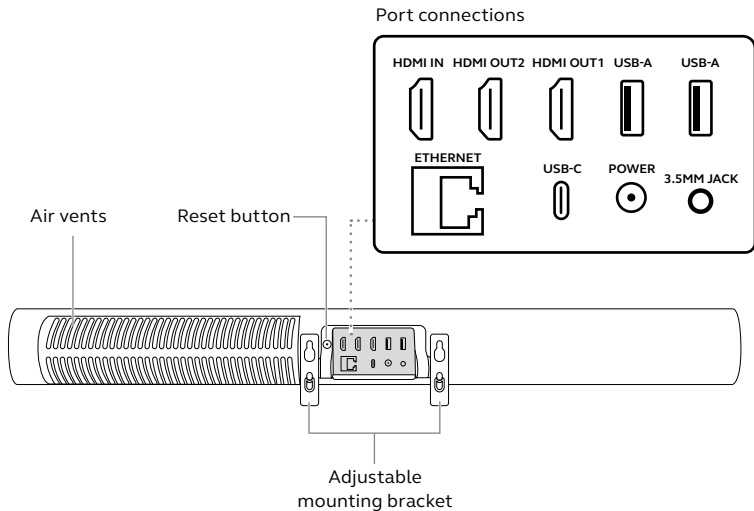
### 2.1 Jabra PanaCast 50 VBS bar overview

---

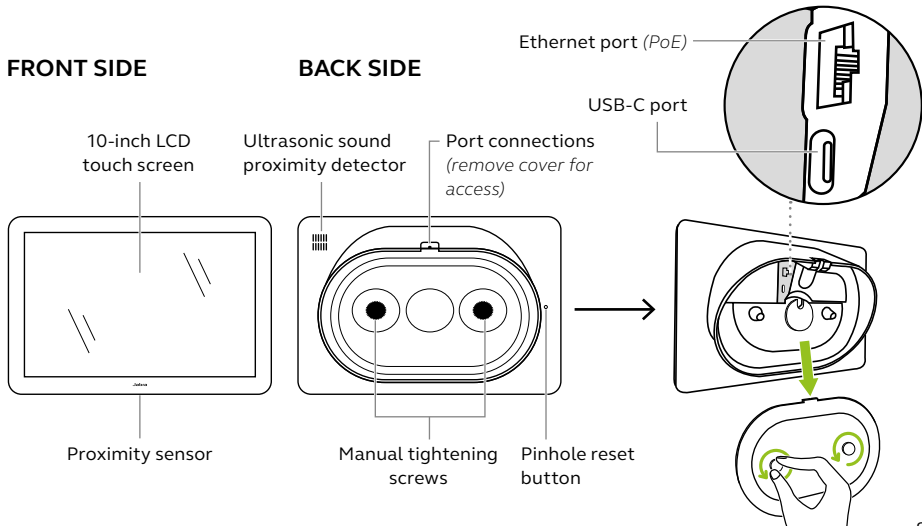
#### FRONT SIDE



## BACK SIDE

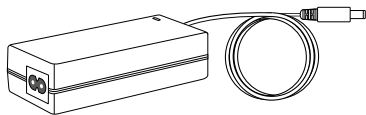


## 2.2 Jabra PanaCast Control overview

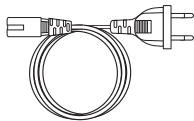


## 2.3 Included accessories - Jabra PanaCast 50 VBS bar

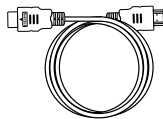
---



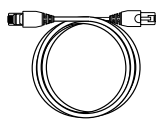
**AC power adapter** (1.83m/6ft)



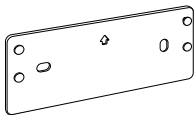
**AC power cable**  
(1m/3.28ft)



**HDMI cable**  
(1.83m/6ft)



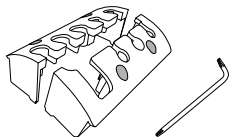
**RJ45 Ethernet cable**  
(4.57m/15ft)



**Wall mount**



**Camera privacy cover**

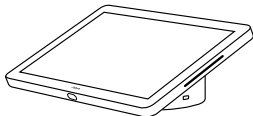


**Cable compartment cover** (2 pcs)  
with embedded screws  
& screwdriver

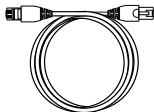
Additional accessories can be purchased at [jabra.com/accessories](https://jabra.com/accessories).

## 2.4 Included accessories - Jabra PanaCast Control

---

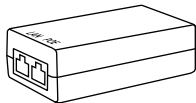


**Jabra PanaCast Control**



**RJ45 Ethernet cable**  
(4.57m/15ft)

### POWER OVER ETHERNET (PoE) KIT



**PoE injector**



**AC power cable**  
(1m/3.28ft)



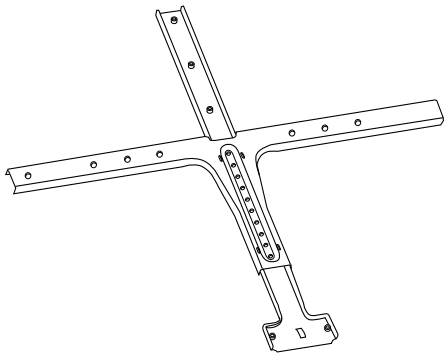
**RJ45 Ethernet cable**  
(4.57m/15ft)

Additional accessories can be purchased at [jabra.com/accessories](https://www.jabra.com/accessories).

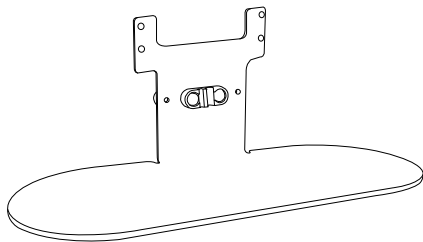
## 2.5 Optional accessories

---

Accessories can be purchased at [jabra.com/accessories](https://www.jabra.com/accessories).



**Screen mount**

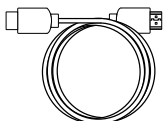


**Table stand**

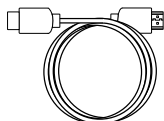
Accessories can be purchased at [jabra.com/accessories](https://jabra.com/accessories).



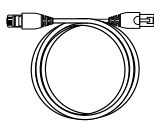
**Regional power  
cords**  
(1m/3.28ft)



**HDMI cable**  
(1.83m/6ft)



**HDMI ingest  
cable**  
(4.57m/15ft)



**RJ45 Ethernet  
cable**  
(4.57m/15ft)



**USB-A to C cable**  
(4.57m/15ft)

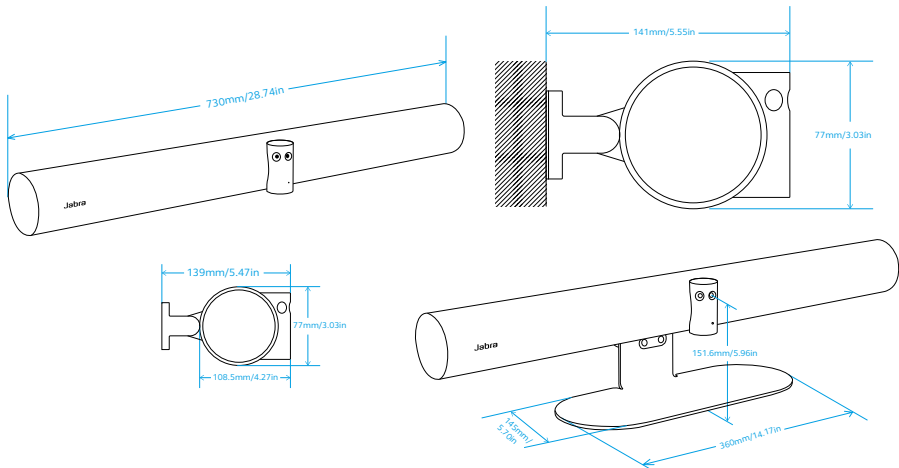


**USB-A to B cable**  
(1.83m/6ft)



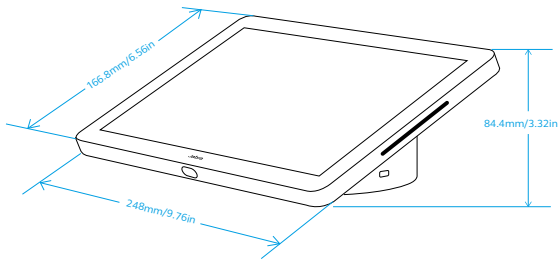
**Jabra PanaCast Control  
table mount**

## 2.6 Dimensions - Jabra PanaCast 50 VBS bar



## 2.7 Dimensions - Jabra PanaCast Control

---



### 3. Room setup guide

The Jabra PanaCast 50 VBS is designed for meeting rooms up to 4.5 meters x 6 meters (15 feet x 20 feet).

View the Room setup guide PDF here: [jabra.com/help/panacast50vbs/getstarted](https://jabra.com/help/panacast50vbs/getstarted)

Below are some typical room setup scenarios.



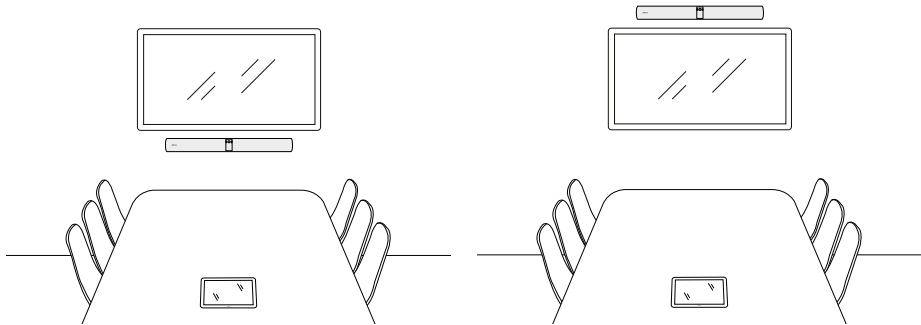
# 4. Mounting

## 4.1 Wall mount installation

---

View the wall mount assembly video and PDF here:

[jabra.com/help/panacast50vbs/getstarted](https://jabra.com/help/panacast50vbs/getstarted)



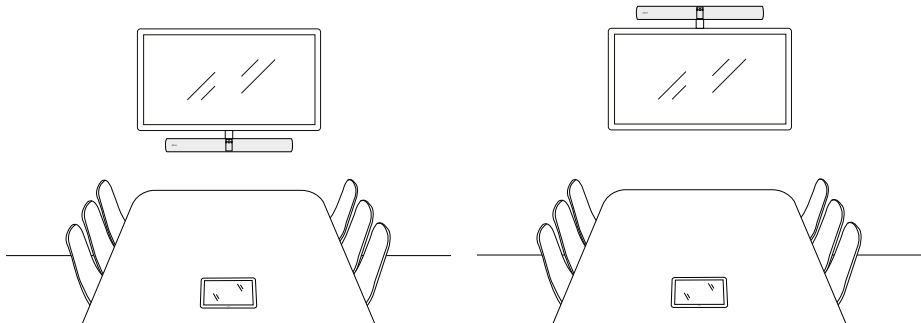
## 4.2 Screen mount installation

---

The screen mount is designed for screens up to 220 centimeters (86 inches) and VESA mounts up to 600 millimeters.

View the screen mount assembly video and PDF here:

[jabra.com/help/panacast50vbs/getstarted](https://jabra.com/help/panacast50vbs/getstarted)

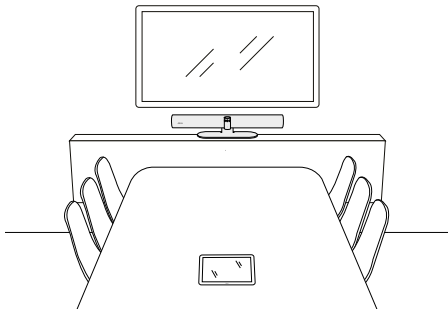


## 4.3 Table stand installation

---

View the table stand assembly video and PDF here:

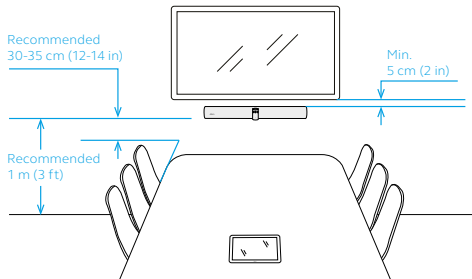
[jabra.com/help/panacast50vbs/getstarted](https://jabra.com/help/panacast50vbs/getstarted)



## 4.4 Installation height

---

When installing the video bar with the wall mount or screen mount, the camera should be positioned 5 centimeters (2 inches) below the screen and ideally 30-35 centimeters (12-14 inches) above the table top or 100 centimeters (3 feet) from the floor. If this height is not possible, it is recommended to install the video bar above the screen.



Do not mount the camera facing direct sunlight as this may affect the preset white balance and compromise the image.

## 4.5 Touch controller placement

---

Place the touch controller towards the meeting room entrance.

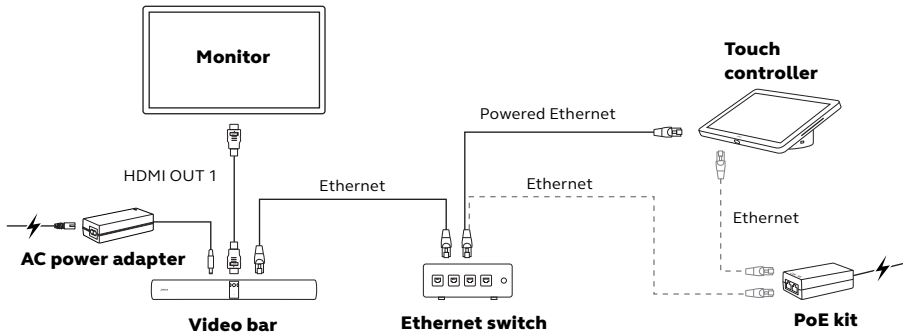
This ensures the touch controller will automatically wake up when the proximity sensor detects movement.

# 5. Cabling

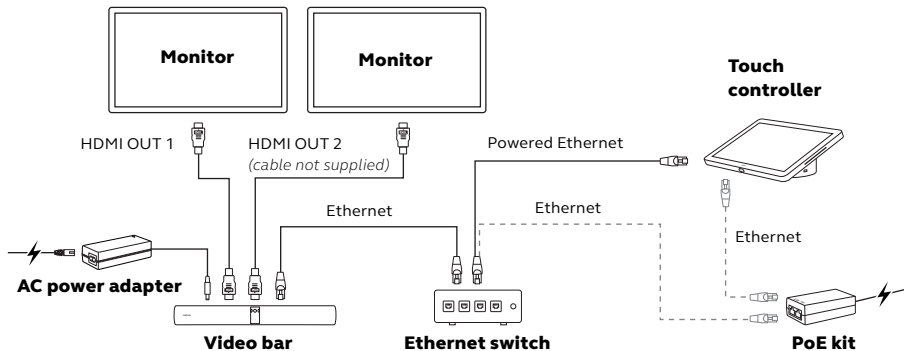
## 5.1 Room system cabling

---

### VIDEO BAR CONNECTED TO ONE MONITOR

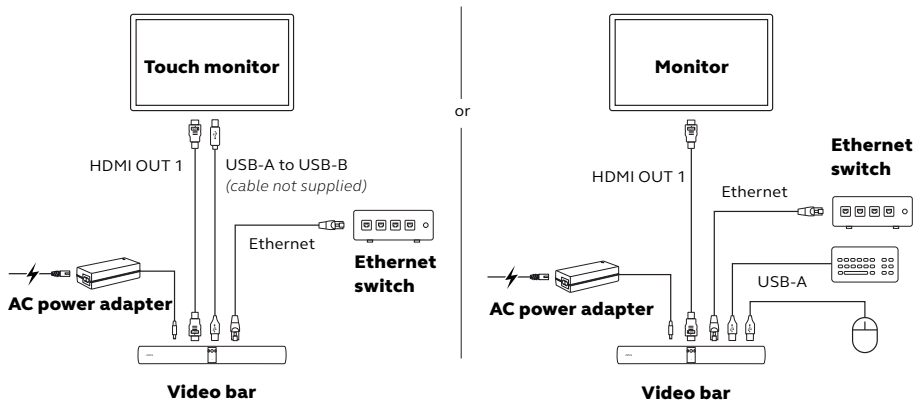


## VIDEO BAR CONNECTED TO TWO MONITORS

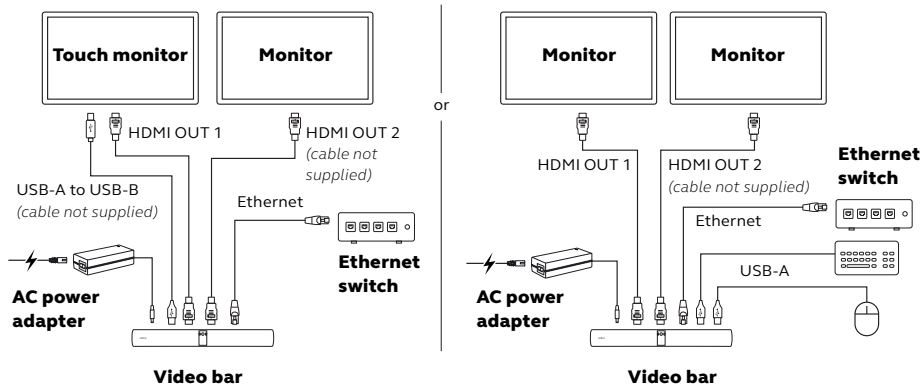


## 5.2 Room system cabling - video bar only

### VIDEO BAR CONNECTED TO ONE MONITOR

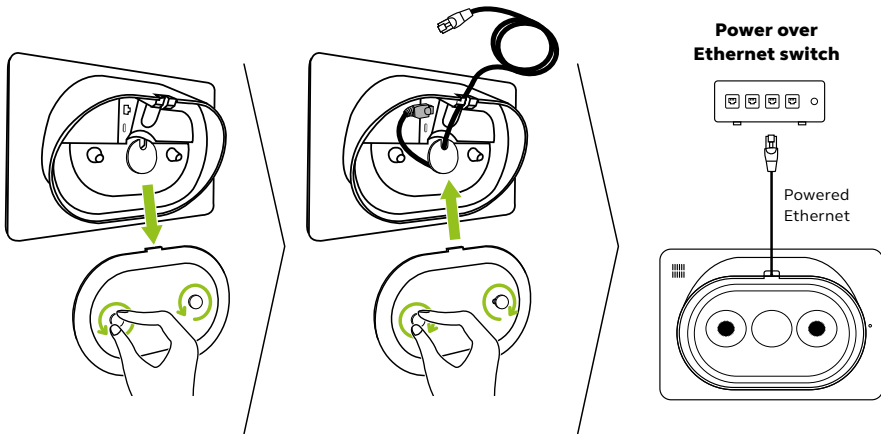


## VIDEO BAR CONNECTED TO TWO MONITORS



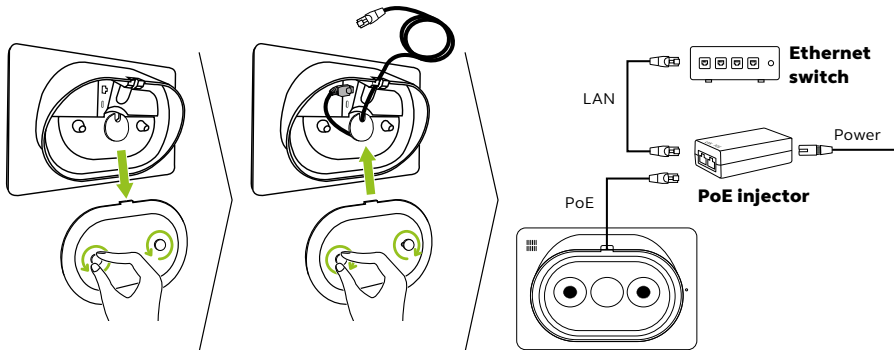
## 5.3 Touch controller cabling

### POWERED ETHERNET



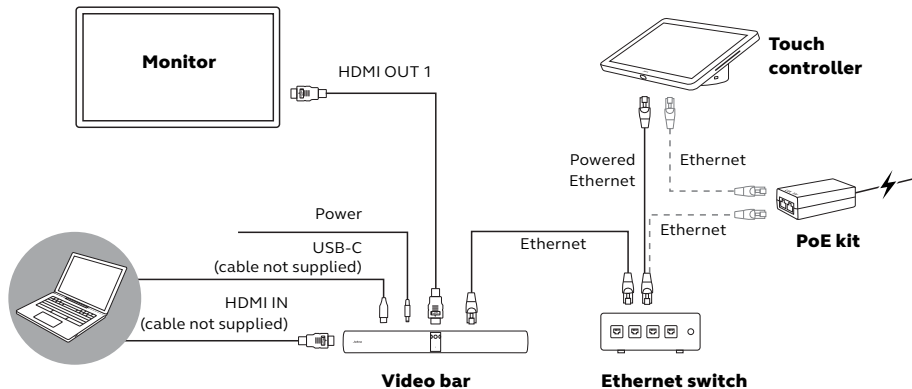
## POWER OVER ETHERNET KIT

If the Ethernet connection does not supply power to the touch controller, the included PoE injector will need to be connected between the Ethernet switch and the touch controller.

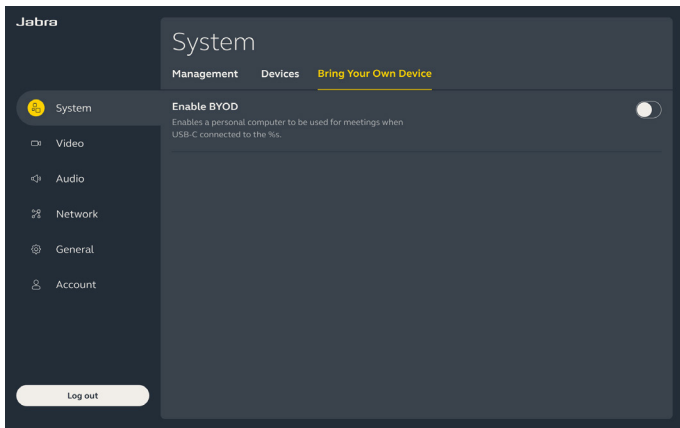


## 5.4 BYOD (Bring Your Own Device) mode

---



To enable BYOD mode, log in with the admin username and password. Go to the **System** menu, select **Bring Your Own Device** and turn on **Enable BYOD**. This allows meeting participants to start and exit BYOD mode from the touch controller when required.



## 6. Configuring

Before starting the configuration of the Jabra PanaCast 50 VBS ensure both the video bar and the touch controller are connected to the same local area network (LAN) and powered on.

To link the Jabra PanaCast 50 VBS with an organization in Jabra+, enter the provisioning code and name the meeting room to identify the device in Jabra+. The provisioning code is generated in Jabra+. For more information, go to [jabra.com/support](https://jabra.com/support)

During the last step of the configuration it is necessary to log into the video conferencing account of your service provider.

The Jabra PanaCast 50 VBS is versatile and can come pre-loaded with native Microsoft Teams Room on Android™ or Zoom Room for Android™\*, or without video conference service provider selected.

\* Android™ is a trademark of Google LLC.

## 6.1 Configuration using the touch controller

---

The Jabra PanaCast 50 VBS is easily configured by following the Setup wizard using the touch controller.

The setup includes:

- Language selection
- Date and time setup
- Pairing between video bar and touch controller, if not already paired
- Firmware update
- Link with an organization in Jabra+
- Room type and Video Service Provider selection, if not preselected



## 6.2 Configuration using the video bar

---

The Jabra PanaCast 50 VBS can be configured using just the video bar. This configuration method allows you to set up the system when there is no touch controller available. This configuration method requires either a touch monitor or a wired keyboard and mouse.

The setup includes:

- Language selection
- Date and time setup
- Firmware update
- Link with an organization in Jabra+
- Room type and Video Service Provider selection, if not preselected

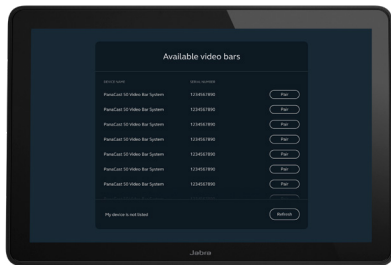


# 7. Pairing

The Jabra PanaCast 50 VBS video bar and touch controller are pre-paired and ready to be configured.

If the video bar and touch controller are bought separately or the pairing has been lost, it is necessary to manually pair them.

1. Ensure both the video bar and touch controller are connected to the same local area network (LAN) and powered on.
2. Follow the Setup wizard using the touch controller.
3. Select the corresponding video bar from the available devices displayed and pair the devices.



## 8. Remote management

The Jabra PanaCast 50 VBS can be remotely managed over an Ethernet connection using the Web Console or Jabra+. The Web Console can be accessed by entering the IP address of the video bar or touch controller into a browser.

If this is the first time you are accessing the Web Console, it is recommended to change the username and password. The default username is **admin** and the password is the **last 6 digits of the serial number of the device used to access the Web Console**.

If the Jabra PanaCast 50 VBS has not been configured, the Web Console will take you through the necessary configuration process.

To manage the Jabra PanaCast 50 VBS using Jabra+, log in with your Jabra+ account. Go to the **Meeting rooms > Room inventory** menu, select the corresponding meeting room and Jabra PanaCast 50 VBS.

For more information about Jabra+, go to [jabra.com/support](https://jabra.com/support)

# 9. Software

## 9.1 Operating system

---

Jabra PanaCast 50 VBS operates on Android™\*.

\* Android is a trademark of Google LLC.

# 10. Restart devices

You can restart the video bar and touch controller using one of the following options:

***Touch Controller*** – access the **Device settings** menu and go to the **Restart** section. The video bar and touch controller will be restarted.

***Web Console*** – enter the IP address of the video bar or touch controller in the browser and go to the **System Reset** menu.

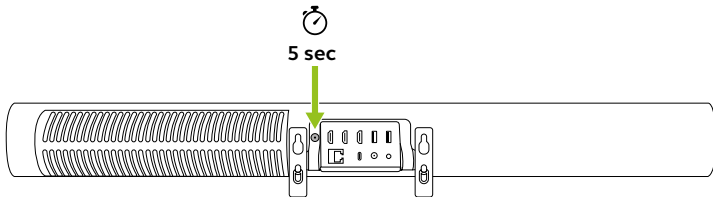
***Admin portal*** of your video conferencing service provider.

***Jabra+*** – log in using your Jabra+ account. Go to the **Meeting rooms > Room inventory** menu, select your organization and corresponding meeting room. Go the action menu on the Jabra PanaCast 50 VBS video bar or touch controller, and select **Reboot device**.

## Individual restart of the video bar

Press and hold the **Reset** button on the back of the video bar. Release the button after 5 seconds and a 'Restarting' message will be displayed on the monitor.

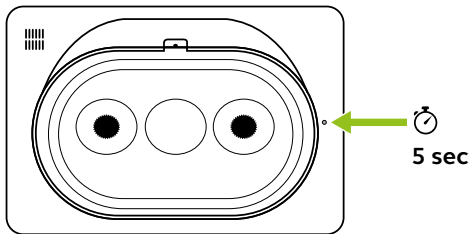
The video bar will restart and play an audio notification when ready for use. The reboot takes approximately 1 minute.



## Individual restart of the touch controller

Use a paperclip to press and hold the **Pinhole reset** button on the back of the touch controller. Release the button after 5 seconds and a 'Restarting' message will be displayed on the monitor.

The touch controller will flash green and restart. The reboot takes approximately 1 minute.



# 11.Factory reset

You can factory reset the video bar and touch controller using one of the following options:

***Touch Controller*** – access the **Device settings** menu and go to the **Restart** section and select **Factory reset**. The video bar and touch controller will be reset.

***Web Console*** – enter the IP address of the video bar or touch controller in the browser and go to the **System Reset** menu.

***Admin portal*** of your video conferencing service provider.

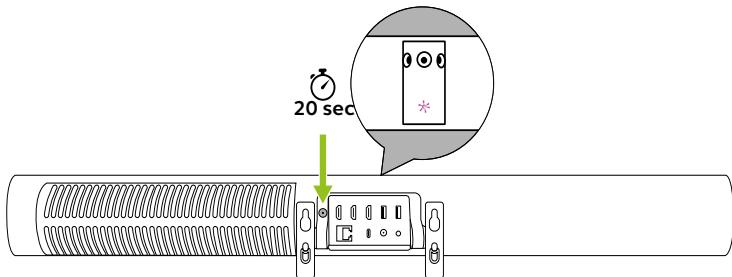
These are the recommended factory reset methods instead of individual factory resets of the video bar and the touch controller.

## Individual factory reset of video bar

Individual resetting will restore the video bar to its factory default settings and it will be necessary to re-pair the video bar to the touch controller.

Press and hold the **Reset** button on the back of the video bar for 20 seconds until the LED flashes pink and the 'factory data reset' message is displayed on the monitor.

The video bar will restart and play an audio notification when ready for use. The reboot takes approximately 1 minute.

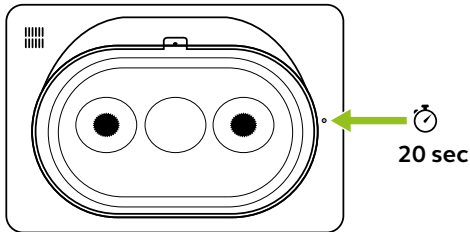


## Individual factory reset of the touch controller

Individual resetting will restore the touch controller to its factory default settings and it will be necessary to re-pair the touch controller to the video bar.

Use a paperclip to press and hold the Pinhole reset button on the back of the touch controller for 20 seconds until the 'factory data reset' message is displayed on the screen.

The reboot takes approximately 1 minute.



# 12. Languages

The PanaCast 50 VBS is available in the following languages:

-Chinese

-Finnish

-Norwegian

-Turkish

-Czech

-French

-Polish

-Japanese

-Danish

-German

-Russian

-Korean

-Dutch

-Hungarian

-Spanish

-English

-Italian

-Swedish

# 13. Support

## 13.1 FAQ and technical specifications

---

View the FAQ, certifications, and technical specifications at [jabra.com/help/panacast50vbs](https://jabra.com/help/panacast50vbs)

## 13.2 How to care for your Jabra device

---

The Jabra PanaCast 50 VBS is for indoor use only.

- Avoid direct sunlight and temperatures above 40°C/104°F or below 0°C/32°F.
- Do not expose the camera or cables to rain or other liquids.
- Do not position the devices near the vents of a monitor or TV as this may cause the devices to overheat and malfunction.
- Clean the surface with a cloth dampened with a mild soap solution.

To learn more about the Jabra PanaCast 50 VBS,  
go to [jabra.com/help/panacast50vbs/getstarted](https://jabra.com/help/panacast50vbs/getstarted)