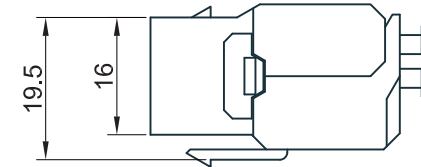
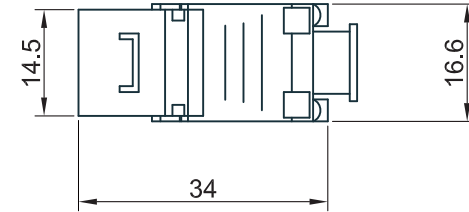
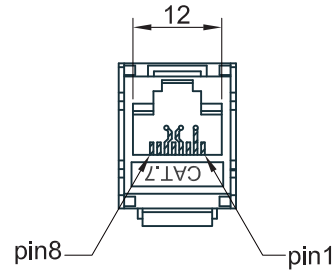
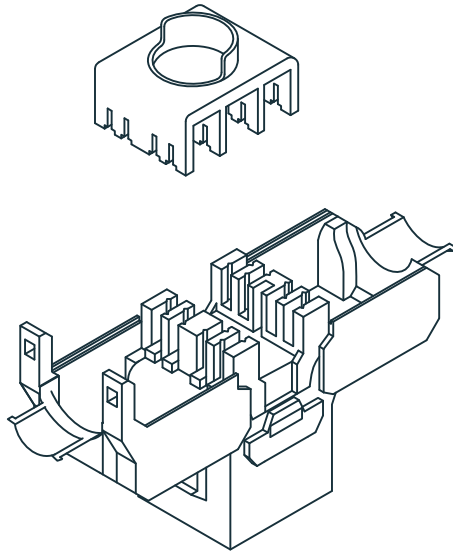




REV	DATE	MODIFICATION	DRAWN



NOTES:

ELECTRICAL:

1. VOLTAGE RATING : 125 VAC RMS
2. CURRENT RATING : 1.5 AMP
3. CONTACT RESISTANCE : 100 MILLIOHMS MAX
4. INSULATION RESISTANCE: 1000 MEGOHMS MIN @ 500 VDC
5. DIELECTRIC STRENGTH : 750 VAC RMS 60Hz,1MIN
6. C7 PERMANENT LINK : CONFORM TO ANSI/TIA/EIA-568 C.2

ENVIRONMENTAL:

1. STORAGE : -40° TO +70°
2. OPERATION: -10° TO +60°

MATES WITH MODULAR PLUG CONFORMING TO FCC PART 68, SUBPART F.

MECHANICAL:

1. HOUSING MATERIAL : ZINC ALLOY
2. INSERT MATERIAL : PC
3. PCB MATERIAL : FR-4 T=1.6mm
4. CONTACT MATERIAL : PHOSPHOR BRONZE STAMP PIN T=0.35mm
5. IDC CONTACT MATERIAL: PHOSPHOR BRONZE T=0.50mm WITH TIN PLATING
6. RJ45 JACK LIFE : 750 TIMES MIN
7. IDC LIFE : 200 TIMES MIN
8. WIRE : AWG 22~24
9. TIA Cat 7 Perm. Link Test: Worst pair NEXT margin \geq 5.0dB
10. Retentiveness of insertion structure: 50N 60 \pm 5s

DIMENSION IN mm (Inch) TOLERANCE UNLESS OTHERWISE SPECIFIED		MATERIAL	DWG NO.	
.X \pm 0.10	.X $^{\circ}$ \pm 5 $^{\circ}$	TITLE 1030S-CAT 7		
.XX \pm 0.05	.XX $^{\circ}$ \pm 2 $^{\circ}$			
APPROVAL	CHECKED	DRAWN	SCALE	SHEET
		NICK	1/1	1/1
			PROJ.	REV