

Ruijie Reyee RG-EST100-E Wireless Bridge

Hardware Installation and Reference Guide



Copyright

Copyright © 2024 Ruijie Networks

All rights are reserved in this document and this statement.

Any reproduction, excerpt, backup, modification, transmission, translation or commercial use of this document or any portion of this document, in any form or by any means, without the prior written consent of Ruijie Networks is prohibited.

Trademarks including ,  are owned by Ruijie Networks.

All other trademarks or registered trademarks mentioned in this document are owned by their respective owners.

Disclaimer

The products, services or features you purchase are subject to commercial contracts and terms. Some or all of the products, services or features described in this document may not be within the scope of your purchase or use. Unless otherwise agreed in the contract, Ruijie Networks does not make any express or implied statement or guarantee for the content of this document.

Due to product version upgrades or other reasons, the content of this document will be updated from time to time. Ruijie Networks reserves the right to modify the content of the document without any notice or prompt.

This manual is for reference only. Ruijie Networks endeavors to ensure content accuracy and will not shoulder any responsibility for losses and damages caused due to content omissions, inaccuracies or errors.

Preface

Intended Audience

This document is intended for:

- Network engineers
- Technical support and servicing engineers
- Network administrators


Technical Support

- The official website of Ruijie Reye: <https://www.ruijienetworks.com/products/reeye>
- Technical Support Website: <https://www.ruijienetworks.com/support>
- Case Portal: <https://www.ruijienetworks.com/support/caseportal>
- Community: <https://community.ruijienetworks.com>
- Technical Support Email: service_rj@ruijienetworks.com
- Online Robot/Live Chat: <https://ruijienetworks.com/rita>


Conventions

1. Signs


The signs used in this document are described as below:

 **Danger**


An alert that calls attention to safety operation instructions that if not understood or followed when operating the device can result in physical injury.

 **Warning**


An alert that calls attention to important rules and information that if not understood or followed can result in data loss or equipment damage.

 **Caution**

An alert that calls attention to essential information that if not understood or followed can result in function failure or performance degradation.

 **Note**

An alert that contains additional or supplementary information that if not understood or followed will not lead to serious consequences.

 **Specification**

An alert that contains a description of product or version support.

2. Note

This manual provides the device installation steps, hardware troubleshooting, module technical specifications, and specifications and usage guidelines for cables and connectors. It is intended for the users who have some experience in installing and maintaining network hardware. At the same time, it is assumed that the users are already familiar with the related terms and concepts.

Contents

Preface	1
1 Product Overview	1
1.1 About the RG-EST100-E Wireless Bridge.....	1
1.2 Package Contents.....	1
1.3 Appearance	1
1.3.1 Appearance	1
1.3.2 Ports and WPS Hole	3
1.4 Device Specification	5
1.5 Power Specification	6
1.6 Heat Dissipation	7
2 Safety Precautions	8
2.1 Safety Precautions.....	8
2.1.1 General Safety Precautions.....	8
2.1.2 Handling Safety.....	8
2.1.3 Electric Safety	8
2.2 Installation Environment Requirements	9
2.2.1 Environment Requirements	9

2.2.2 Lightning Protection Requirements	9
2.2.3 Temperature/ Humidity Requirements	9
2.2.4 Anti-interference Requirements	10
2.3 Tools.....	10
2.4 Checking before Installation	10
3 Installing the Device	11
3.1 Installation Procedure	11
3.2 Preparing	11
3.3 Precautions.....	12
3.4 Mounting the Device	12
3.4.1 Wall Mounting	12
3.4.2 Pole Mounting	12
3.5 Connecting Cables.....	13
3.6 Verifying Installation	14
4 Verifying Operating Status.....	15
4.1 Setting up Configuration Environment.....	15
4.2 Checking Environment before/after Power-on.....	15
5 Monitoring and Maintenance	16

5.1 Monitoring	16
5.2 Maintenance.....	16
6 Troubleshooting	17
6.1 General Troubleshooting Procedure.....	17
7 Appendix A Connectors and Media Description	18

1 Product Overview

1.1 About the RG-EST100-E Wireless Bridge

The RG-EST100-E is a dual-stream wireless bridge launched by Ruijie Reyee for the scenario of surveillance video backhaul. Compliant with the IEEE 802.11n standard, the wireless bridge can work in the 2.4 GHz radio and delivers a maximum data rate of 300 Mbps.

1.2 Package Contents

Table 1-1 Package Contents

Item	Quantity
RG-EST100-E Wireless Bridge (Network Video Recorder End)	1
RG-EST100-E (Camera End)	1
12 V DC/1 A Power Adapter	2
Passive PoE Adapter	2
User Manual	1
Warranty Card	1
Hole Clamp	4
Mounting Template	2

 **Note**

The package contents generally contain the above items. The actual delivery is subject to the order contract. And please check your goods carefully against the order contract. If you have any questions, please contact the distributor.

1.3 Appearance

1.3.1 Appearance

Figure 1-1 Appearance of a RG-EST100-E Wireless Bridge

Front View



Rear View



i Instruction

The label is located on the back of the device.

1.3.2 Ports and WPS Hole

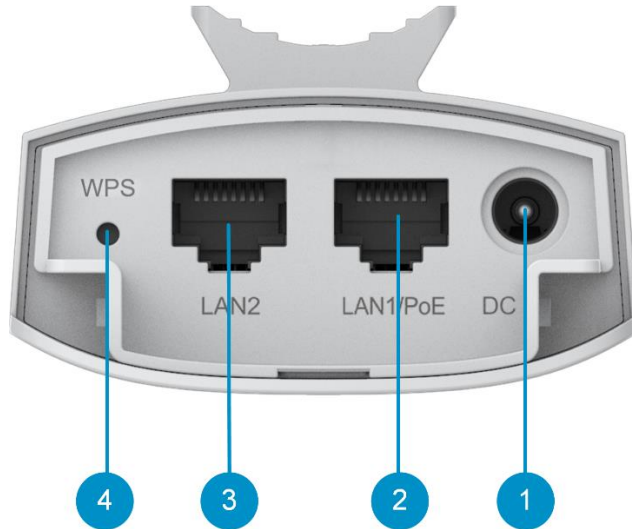


Table 1-2 Ports & WPS Hole

No.	Ports and WPS Hole	Description
1	12 V DC Connector	12 V DC/1 A power supply
2	LAN1/PoE	10/100Base-T Ethernet port, supporting 12 V passive PoE power supply
3	LAN2	10/100Base-T Ethernet port
4	WPS Hole	<ul style="list-style-type: none"> ● Press and hold the pin to the WPS hole for less than 10 seconds: No action is triggered. ● Press and hold the pin to the WPS hole for at least 10 seconds: Restore the wireless bridge to factory settings.



Table 1-3 LED

No,	LED	Status	Description
1	RSSI LEDs	STR1 on	-78 dBm < RSSI < -72 dBm
		STR1 and STR2 on	-72 dBm < RSSI < -65 dBm
		STR1, STR2, and STR3 on	RSSI > -65 dBm
		Blinking	RSSI < -78 dBm
		Off	The device is not bridged.
2	LAN1/LAN2 Port Status LED	Solid on	The LAN port is connected and not receiving or transmitting data.
		Blinking	The LAN port is connected and receiving or transmitting data.

No,	LED	Status	Description
3	System Status LED	Off	The device is not powered on.
		Fast blinking	Possible cases: 1. Restoring the wireless bridge to factory settings. 2. Upgrading the firmware. 3. Handling alarms automatically. 4. Starting up the wireless bridge.
		Solid on	The device is working properly.

1.4 Device Specification

Table 1-1 Specification

Radio Design	Single-radio and dual-stream
Standard & Protocol	IEEE 802.11n
Operating Frequency	<ul style="list-style-type: none"> ● 802.11b/g/n: 2.4000 GHz to 2.483 GHz ● Note: The operating radio is country-specific.
Antenna Type	Built-in directional antenna
Lobe Angle	Horizontal lobe angle of 70° and vertical lobe angle of 70°
Antenna Gain	6 dBi
Spatial Streams	2.4 GHz: 2 x 2 MIMO
Max. Data Rate	2.4 GHz: 300 Mbps
Modulation	<ul style="list-style-type: none"> ● OFDM: BPSK@6/9 Mbps, QPSK@12/18 Mbps, 16-QAM@24 Mbps, and 64-QAM@48/54 Mbps ● DSSS: DBPSK@1 Mbps, DQPSK@2 Mbps, and CCK@5.5/11 Mbps ● OFDM: BPSK, QPSK, 16QAM, and 64QAM
Receiver Sensitivity	<ul style="list-style-type: none"> ● 11b: -91 dBm (1 Mbps), -88 dBm (5 Mbps), -85 dBm (11 Mbps) ● 11a/g: -89 dBm (6 Mbps), -80 dBm (24 Mbps), -76 dBm (36 Mbps), -71 dBm (54 Mbps) ● 11n: -83 dBm@MCS0, -65 dBm@MCS7, -83 dBm@MCS8, -65 dBm@MCS15
Max. Transmit Power	100mw
Power Adjustment	Configurable in increments of 1 dBm
Dimensions (W x D x H)	165.5 mm x 68.7 mm x 42 mm (6.52 in. x 2.70 in. x 1.65 in.)

Weight	0.30 kg (0.66 lbs.)
Service Port	Two 10/100Base-T Ethernet ports (LAN1 supports 12 V passive PoE power supply.)
Management Port	N/A
Status LED	<ul style="list-style-type: none"> ● One system status LED ● Two LAN status LEDs ● Three RSSI LEDs
Power Supply	<ul style="list-style-type: none"> ● a. 12 V passive PoE power supply (A passive PoE adapter is delivered with the wireless bridge.) ● b. 12 V DC power supply (A 12 V DC power adapter is delivered with the wireless bridge.)
Max. Power Consumption	5 W
Temperature	Working Temperature: -30°C to +60°C (-22°F to +140°F)
	Storage Temperature: -40°C to +70°C (-40°F to +158°F)
Humidity	Working Humidity: 5% to 95% (non-condensing)
	Storage Humidity: 5% to 95% (non-condensing)
Installation Method	Wall mounting and pole mounting (Hose clamps are delivered with the wireless bridge.)
Certification	CE
MTBF	> 400,000 hours

 **Warning**

Operation of this equipment in a residential environment could cause radio interference.

1.5 Power Specification

The RG-EST100-E adopts 12 V DC /1 A power supply or 12 V passive PoE power supply. The wireless bridge is delivered with a 12 V DC /1 A power adapter and a passive PoE adapter (not water-proof).

Inner Diameter	Outer Diameter	Depth	Conductor Resistance	Voltage Resistance	Voltage for Insulator and Conductor Test)	Polarity Symbol
2.10 ± 0.05 mm	5.50 ± 0.05 mm	9 mm (0.35 in.)	5 Ω	100 MΩ	1000 V	Center (tip) of the output

Inner Diameter	Outer Diameter	Depth	Conductor Resistance	Voltage Resistance	Voltage for Insulator and Conductor Test)	Polarity Symbol
(0.083 in. ± 0.002 in.)	(0.22 in. ± 0.002 in.)					plug: Positive (+) Barrel (ring) of the output: Negative (-) Reverse polarity symbol is not allowed.

⚠ Caution

For PoE power supply, please use the PoE adapter provided with the product. Do not use a switch or a PoE adapter of another model for power supply. Otherwise, the device may be damaged.

1.6 Heat Dissipation

The RG-EST100-E adopts a fanless design. Maintain a sufficient clearance around the wireless bridge for proper ventilation.

2 Safety Precautions

2.1 Safety Precautions

Note

- To prevent device damage and physical injury, please read carefully the safety recommendations described in this chapter.
 - The following safety suggestions do not cover all possible dangers.
-

2.1.1 General Safety Precautions

- Do not expose the device to high temperature, dusts, or harmful gases. Do not install the device in an inflammable or explosive environment. Keep the device away from EMI sources such as large radar stations, radio stations, and substations. Do not subject the device to unstable voltage, vibration, and noises.
 - The installation site should be far away from the sea. Keep the device at least 500 meters away from the seaside and do not face it toward the wind from the sea.
 - The installation site should be free from water flooding, seepage, dripping, or condensation. The installation site shall be selected according to network planning and features of communications device, and considerations such as climate, hydrology, geology, earthquake, electric power, and transportation.
-

Caution

Please follow the correct methods described in the installation guide to install and remove the device.

2.1.2 Handling Safety

- Prevent the device from being frequently handled.
- Cut off all the power supplies and unplug all power cords before moving or handling the device.

2.1.3 Electric Safety

Warning

- Improper or incorrect electric operations may cause a fire, electric shock, and other accidents, and lead to severe and fatal personal injury and device damage.
 - Direct or indirect contact with high voltage or mains power supply via wet objects may cause fatal dangers.
-
- Observe local regulations and specifications during electric operations. Only personnel with relevant qualifications can perform such operations.
 - Check whether there are potential risks in the work area. For example, check whether the power supply is grounded, whether the grounding is reliable, and whether the ground is wet.
 - Find out the location of the emergency power supply switch in the room before installation. First cut off the power supply in case of an accident.

- Be sure to make a careful check before you shut down the power supply.
- Do not place the device in a damp/wet location. Do not let any liquid enter the device.
- Keep the device far away from the grounding or lightning protection devices of power device.
- Keep the device away from high-power radio stations, radar stations, and high-frequency high-current devices.

2.2 Installation Environment Requirements

To ensure normal operation and a prolonged useful life of the device, the installation site must meet the following requirements.

2.2.1 Environment Requirements

- Install the device in a well-ventilated environment. If it is installed in a closed room, make sure there is a good cooling system.
- Make sure the site is sturdy enough to support the device and its accessories.
- Make sure the site has enough space for installing the device and leave sufficient space around the device for ventilation.

2.2.2 Lightning Protection Requirements

- When the connection cable between the main grounding conductor and local equipotential earthing terminal board (LEB) on each floor is shorter than 2 meters, use a stranded copper wire with a sectional area not less than 1.318 mm² (16 AWG) for the connection cable.
- Use a shielded network cable if possible, ensure that devices connected to both ends of the shielded network cable are reliably grounded, and make sure that the sheath of the shielded network cable is also grounded if possible. If no shielded network cable is available, wire the network cable through a steel pipe and bury the steel pipe for lead-in, and properly ground both ends of the steel pipe.
- No additional lightning protector is required as a high-profile lightning protector is built in the device and the antenna port and power port support 4kV lightning protection. If a lightning protector of a higher profile is available, configure the lightning protector optionally. Before the configuration, connect the lightning protector to the ground cable.

2.2.3 Temperature/ Humidity Requirements

To ensure the normal operation and prolonged service life of the device, maintain an appropriate temperature and humidity in the equipment room.. The equipment room with too high or too low temperature and humidity for a long period may damage the device.

- In an environment with high humidity, the insulating material may have bad insulation or even leak electricity and sometimes the materials may suffer from mechanical performance change and metallic parts may get rusted.
- In an environment with low humidity, the insulating strip may dry and shrink, and static electricity is prone to occur and damage the internal circuits of the device.
- In an environment with high temperature, the device is subjected to even greater harm, as its performance may degrade significantly and its useful life may be shortened in the case of long-term exposure that expedites the aging process.

Table 2-1 Temperature and Humidity Requirements

Operating Temperature	Operating Humidity:
-30°C to 60°C (-22°F to 140°F)	5% to 95% RH (non-condensing)

2.2.4 Anti-interference Requirements

- Take interference prevention measures for the power supply system.
- Keep the device far away from the grounding or lightning protection devices of power device.
- Keep the device far away from high-power radio stations, radar stations, and high-frequency high-current devices.

2.3 Tools

Table 2-2 Tools

Common Tools	Marker, Philips screwdriver, drill, hammer, hose clamp, related copper and fiber cables, diagonal pliers
Special Tools	Anti-static glove, stripping plier, crimping plier, wire cutter, waterproof tape
Meter	Multimeter, network cable tester
Related devices	PC, screen, keyboard

Note

- The installation tools are not included in the scope of delivery and should be purchased separately.
-

2.4 Checking before Installation

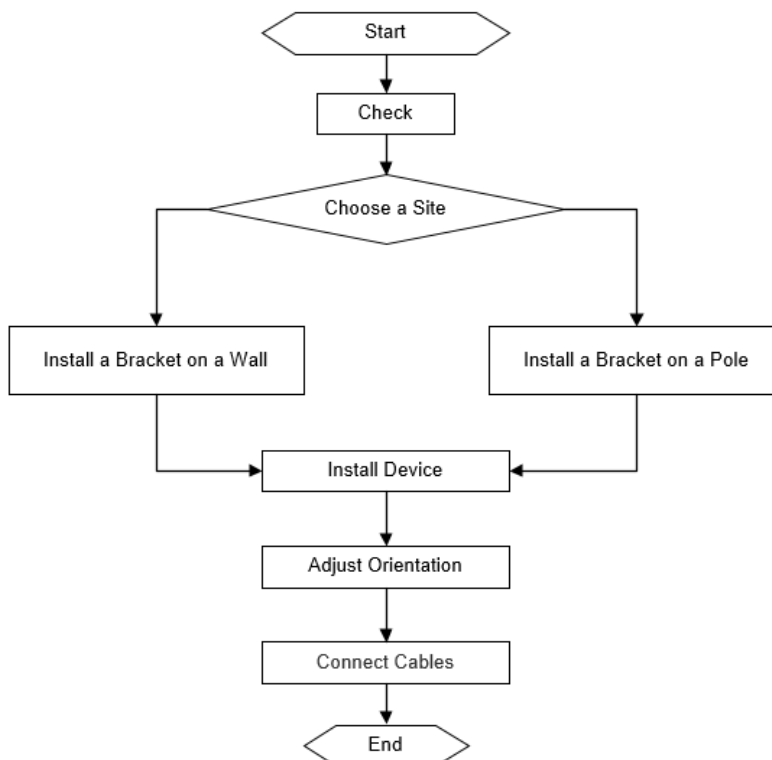
Please check your goods carefully against the Package Contents. If you have any questions or there are any errors, please contact your distributor.

3 Installing the Device

⚠ Caution

- Before installing the device, make sure you have carefully read the requirements described in Chapter 2.

3.1 Installation Procedure



3.2 Preparing

Carefully plan and arrange the installation location, networking mode, power supply, and cabling before installation. Confirm the following requirements before installation:

- The installation position provides sufficient space for heat dissipation.
- The installation position meets the temperature and humidity requirements of the device.
- The power supply and required current are available in the installation position.
- The selected power supply modules meet the system power requirement.
- The network cables have been deployed in the installation position.
- The installation site meets all described requirements.
- The device meets the customers' requirements.

3.3 Precautions

The device can be mounted on a wall and a pole (diameter: 35 mm to 89 mm/1.38 in. to 3.50 in.). If the diameter of the pole is out of the range, the hose clamp is customer-supplied. In this case, we strongly recommend you to use a hose clamp with thickness of 2.5 mm (0.10 in.) at least. Otherwise, the device could fall down and cause injuries.

Please make full preparations as described in Chapter 2 and observe the following precautions before installing the device.

- Use the 12 V DC/1 A power adapter or 12 V/1 A PoE adapter provided or a power adapter of the same specification. When using the PoE power adapter, make sure that Pin 4 and 5 are connected to the positive posts, and Pin 7 and 8 are connected to the negative posts. Noted that a power adapter of different specifications is not allowed.
- Make sure that the connector of the power module is fully seated.

3.4 Mounting the Device

⚠ Caution

- It is recommended to install the device where you can get the optimal coverage.
 - The image shown here is for indicative purpose only. The actual product may differ.
-

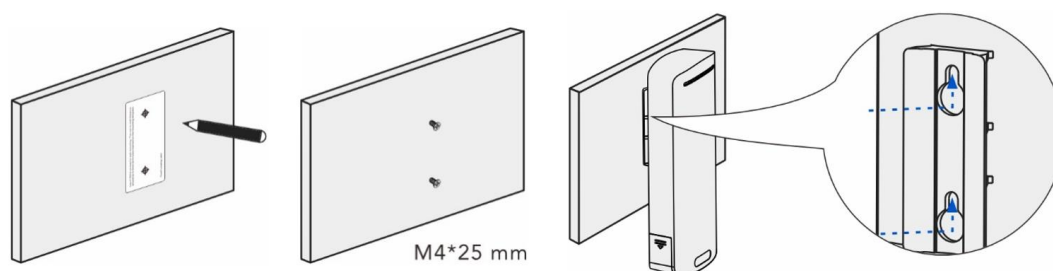
3.4.1 Wall Mounting

Use the mounting template to mark where the holes need to be drilled. Then, drill the holes and insert screws into each hole. Mount the device onto the screws to securely hang it in place.

i Note

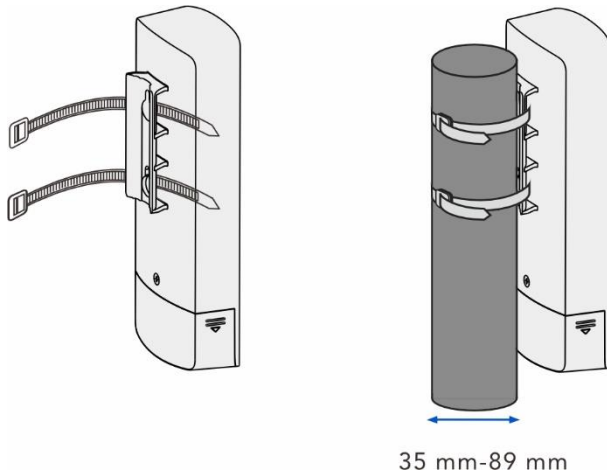
To mount the device on a wall, prepare two screws (M4 25 kA screws are recommended) by yourself. Make sure the nuts are 8-9mm away from the wall.

Figure 3-1 Wall Mounting



3.4.2 Pole Mounting

Thread the cable ties through the bracket at the back of the device, and pull the cable ties tight to secure the device to the pole.

Figure 3-2 Pole Mounting

3.5 Connecting Cables

Note

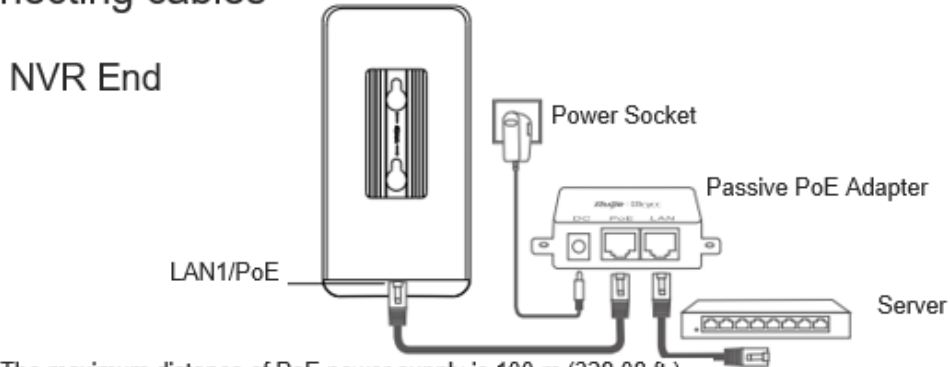
The bridge must be installed outdoors, while the DC power adapter and the passive PoE injector must be installed indoors.

- (1) Use or make a network cable of suitable length based on the distance between RG-EST100-E and the Power Sourcing Equipment (PSE), server, or camera. Please note that the device supports PoE power supply through a network cable of up to 100 meters (CAT5E or higher).
- (2) Plug one end of the cable into the PoE port of the PoE adapter and plug the other end into the LAN1/PoE port of the device. Connect the LAN port of the PoE adapter to the server or camera. Plug the PoE adapter into 220 V power socket.

Or you can connect the DC port of the device to the 12 VDC adapter, and connect the LAN port of the device to the server or camera.

Figure 3-3 Connecting Cables

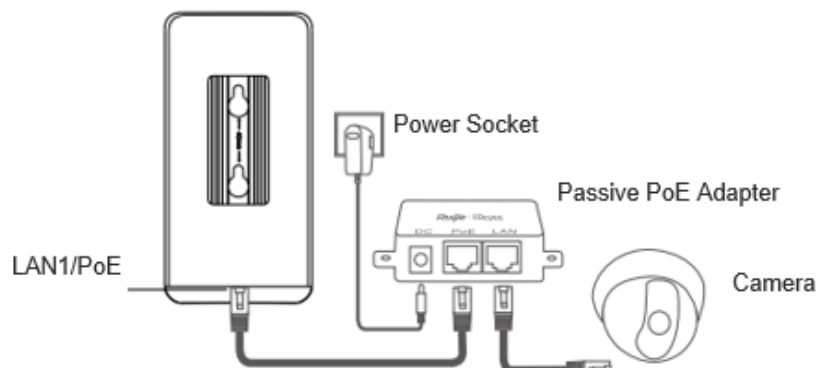
Connecting cables



The maximum distance of PoE power supply is 100 m (328.08 ft.).

CAT5E or higher Ethernet cables are required.

Camera End



The maximum distance of PoE power supply is 100 m (328.08

ft.). CAT5e or higher Ethernet cables are required.

Warning

- Remember to install the bottom cover for waterproof and dustproof purpose.
- Please do not use a switch or a PoE adapter of another model. Otherwise, the device may be damaged.

3.6 Verifying Installation

(1) Checking the Device

- Verify if the external power supply matches the specification.
- Verify that the device has been fastened and will not move or tilt.

(2) Checking the Power Supply

- Make sure all power cables are properly connected.
- Make sure the device is operational after power-on.

4 Verifying Operating Status

4.1 Setting up Configuration Environment

Power on the device through 12 V DC or 12 V passive PoE power supply. Make sure all power cables are properly connected and meet the safety requirement.

4.2 Checking Environment before/after Power-on

(1) Before power-on, check the following items:

- Verify that the power supply is properly connected.
- Verify that the input voltage matches the specification.

(2) After power-on, check the following item (Recommended):

- Check the indicator status.

5 Monitoring and Maintenance

5.1 Monitoring

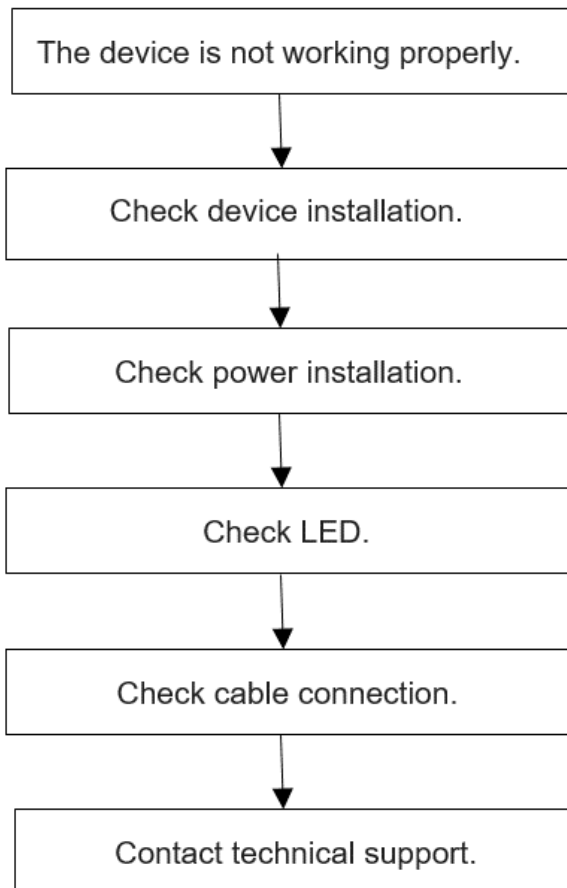
When the RG-EST100-E is running, you can monitor the device status by observing the indicator.

5.2 Maintenance

If a hardware error occurs, please contact Ruijie Reyee Technical support for help.

6 Troubleshooting

6.1 General Troubleshooting Procedure



7 Appendix A Connectors and Media Description

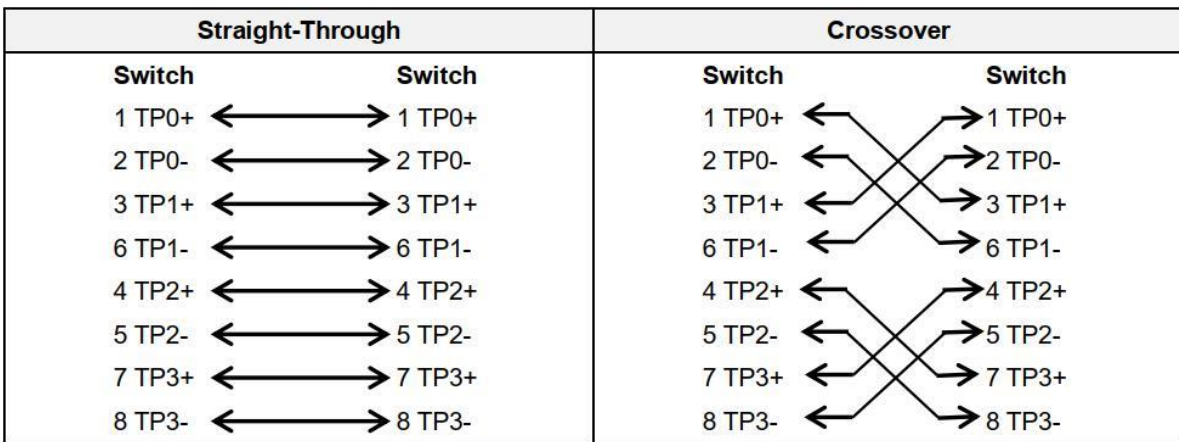
1000BASE-T/100BASE-TX/10BASE-T

The 1000BASE-T/100BASE-TX/10BASE-T is a 10/100/1000 Mbps auto-negotiation port that supports auto MDI/MDIX.

Compliant with IEEE 802.3ab, 1000BASE-T requires Category 5e 100-ohm UTP or STP (STP is recommended) with a maximum distance of 100 meters (328 feet).

1000BASE-T requires all four pairs of wires be connected for data transmission, as shown in Figure 7-1.

Figure 7-1 1000BASE-T Connection



10BASE-T uses Category 3, 4, 5 100-ohm UTP/STP and 1000BASE-T uses Category 5 100-ohm UTP/STP for connections. Both support a maximum length of 100 meters. Figure A-2 shows 100BASE-TX/10BASE-T pin assignments.

Figure 7-2 100BASE-TX/10BASE-T Pin Assignments

Pin	Socket	Plug
1	Input Receive Data+	Output Transmit Data+
2	Input Receive Data-	Output Transmit Data-
3	Output Transmit Data+	Input Receive Data+
6	Output Transmit Data-	Input Receive Data-
4,5,7,8	Not used	Not used

Figure 7-3 shows wiring of straight-through and crossover cables for 100BASE-TX/10BASE-T.

