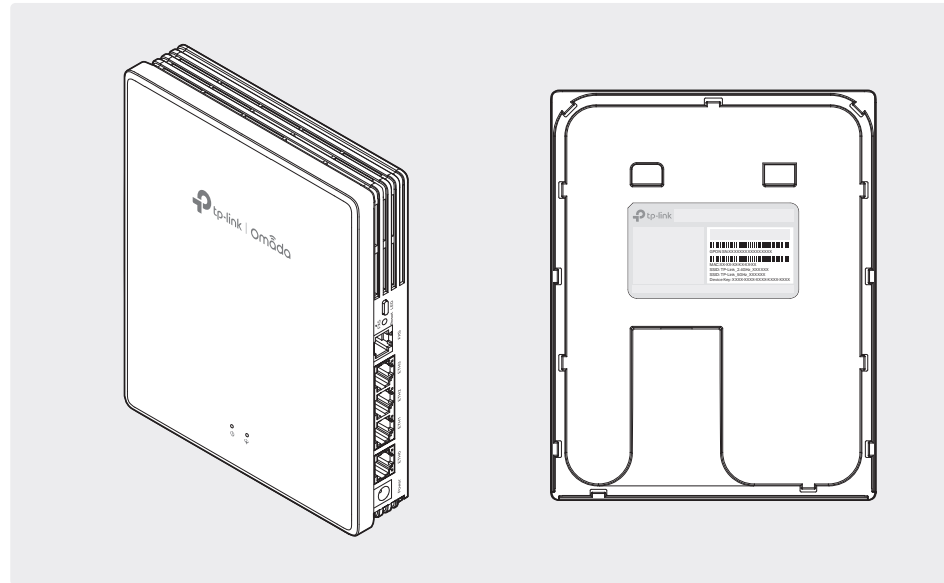


# Quick Installation Guide

## Desktop GPON Access Point

Note: Images may differ from your actual product.  
©2025 TP-Link 7106511975 REV1.1.0

### 1 Hardware Overview



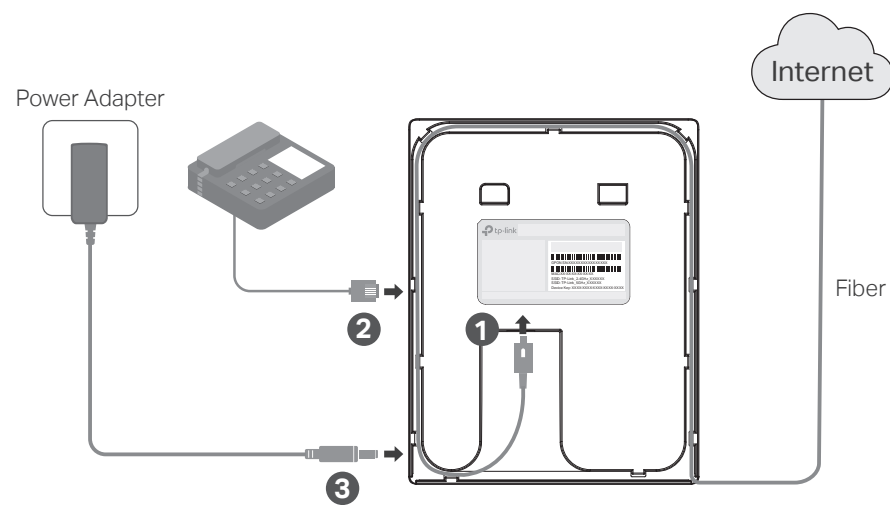
LED	Indication
Power	<p><b>On:</b> The EAP is initializing or working normally.</p> <p><b>Off:</b> The EAP is working abnormally, power is off, or LEDs are turned off.</p> <p><b>Flash:</b></p> <ul style="list-style-type: none"> <li>Flash Twice: Initialization is complete.</li> <li>Flash Once per Second: The EAP is upgrading.</li> <li>Quick Flash: The EAP is resetting or the Controller is locating the EAP.*</li> <li>Slow Flash: The EAP is in the isolated state.</li> </ul>
GPON	<p><b>Green On:</b> The EAP is registered with the OLT.</p> <p><b>Flash Green:</b> The EAP is trying to register with the OLT.</p> <p><b>Flash Red:</b> No optical signal is received or the received signal is too weak.</p> <p><b>Red On:</b> The EAP is blocked by the OLT or not transmitting an optical signal.</p> <p><b>Off:</b> The EAP is initializing or works as a mesh AP.</p>
FXS	<p><b>On:</b> The SIP account is registered successfully.</p> <p><b>Slow Flash:</b> The phone is off hook.</p> <p><b>Quick Flash:</b> The phone is ringing.</p> <p><b>Off:</b> No SIP account is registered.</p>
Link/Act (ETH0~ETH3)	<p><b>On:</b> The port is linked but has no activity.</p> <p><b>Flash:</b> The port is transmitting or receiving data.</p> <p><b>Off:</b> The port is not linked.</p>
PoE Status (ETH0)	<p><b>On:</b> The port is supplying power to a PoE powered device.</p> <p><b>Off:</b> The port is not connected or not supplying power.</p>

Button	Description
RESET	With the EAP powered on, press and hold the button for about 5 seconds until the Power LED flashes, then release the button. The EAP will restore to factory settings.
LED	Press the button to turn on/off the LEDs.

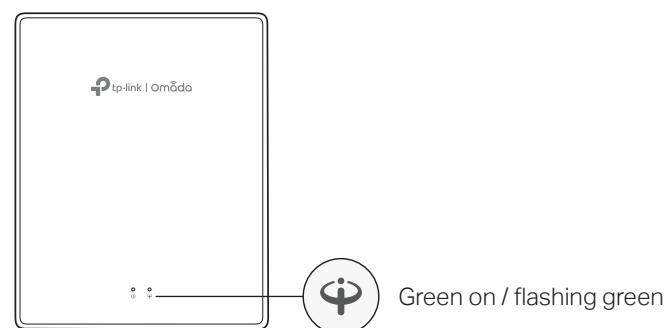
Interface	Description
FXS	Connect to a phone to make and receive calls over the internet.
ETH1 ~ ETH3	Connect to a client device to transmit data.
ETH0	Connect to a client device to transmit data and power.
Power	Connect to a power socket via the provided power adapter.
GPON	Connect to the fiber to transmit optical signals.

\*When the Locate feature is activated in the Omada Controller, the LED will flash quickly for 10 minutes to help you locate and identify the device. You can disable this feature manually to stop the device from flashing.

### 2 Hardware Connection



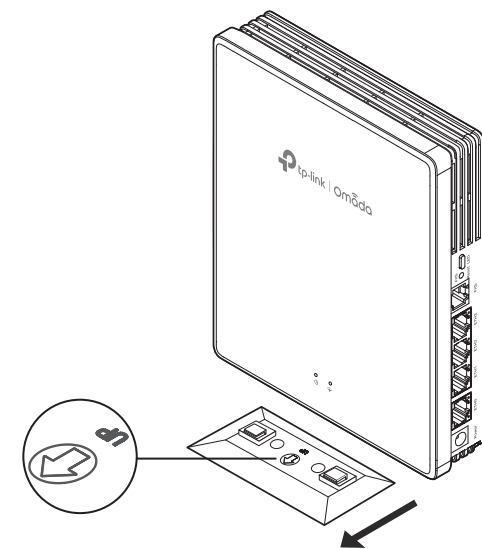
1. Remove the anti-dust plug, and connect the optical fiber to the EAP's GPON Port. Route excess fiber behind the device.
2. Connect your phone to the EAP's FXS port. If you don't need phone service, skip this step.
3. Connect the EAP to a power socket via the provided power adapter.
4. Wait until the GPON LED is green on or flashing green.



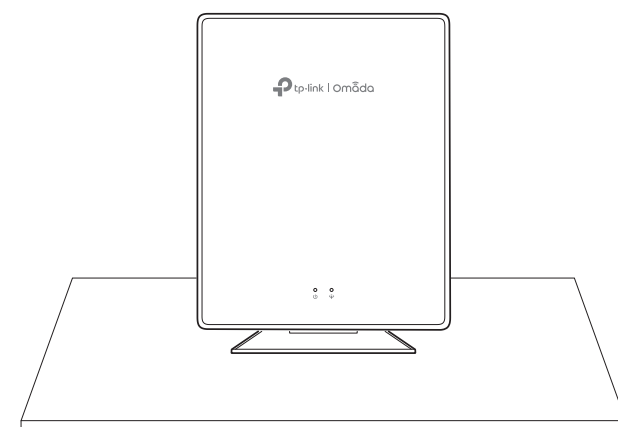
### 3 Hardware Installation

#### Option 1: Desktop Mounting

1. Attach the EAP to the multi-functional base as shown in the figure.

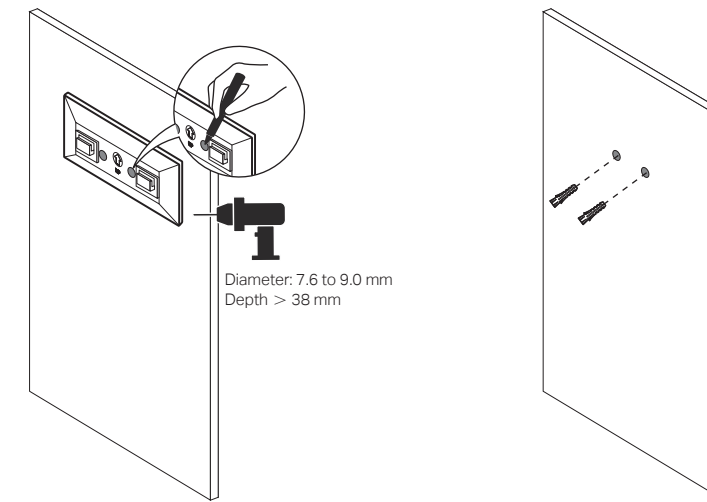


2. Place the EAP vertically on a horizontal surface (such as a desktop or shelf) that is out of children's reach.

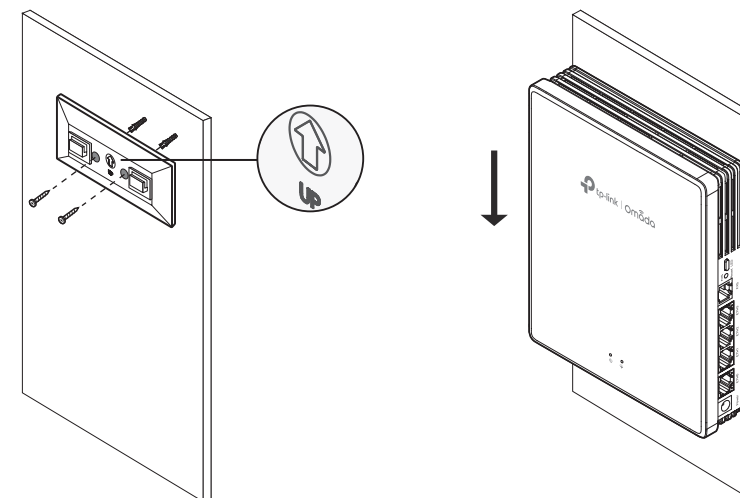


#### Option 2: Wall Mounting (using the multi-functional base)

1. Mark and drill holes for mounting.
2. Insert the plastic wall anchors into the holes.

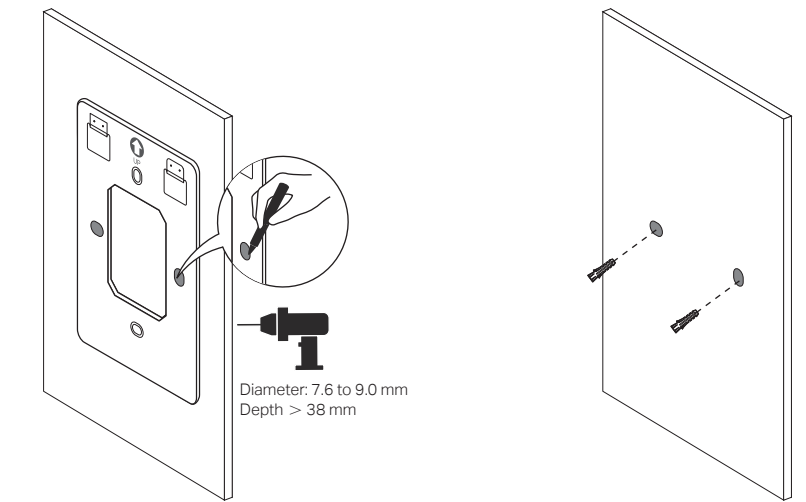


3. Secure the multi-functional base to the wall in the correct direction.
4. Attach the EAP to the base as shown in the figure.

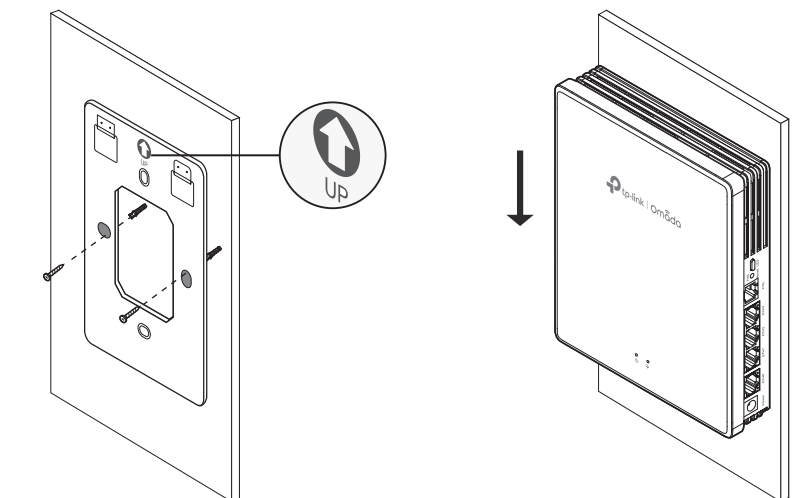


#### Option 3: Wall Mounting (using the mounting bracket)

1. Mark and drill holes for mounting.
2. Insert the plastic wall anchors into the holes.



3. Secure the mounting bracket to the wall in the correct direction.
4. Attach the EAP to the bracket as shown in the figure.



## 4 Software Configuration

### Choose a method to set up your EAPs:

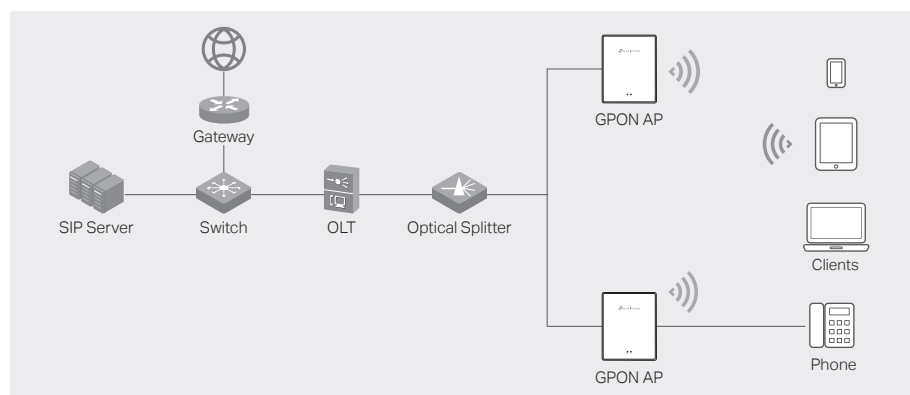
#### • Method 1: Standalone Mode

For configuring and managing EAPs separately (Convenient for a small network with only a few devices)

#### • Method 2: Controller Mode

For configuring and managing EAPs in batches on a central platform, namely an Omada Controller.

### Method 1: Standalone Mode

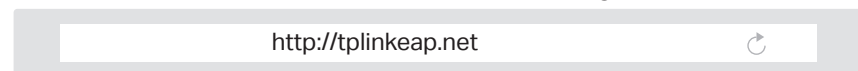


#### Note:

- Before you start, be sure to **power up** and connect your devices according to the above topology.
- A **DHCP server** (typically a gateway/router with the DHCP function enabled) is required to assign IP addresses to the EAPs and clients in your local network.

1. Connect your device to the EAP by using the default SSIDs printed on the label at the bottom of the product.

2. Launch a web browser and enter <http://tplinkeap.net> in the address bar. Use **admin** for both Username and Password to log in.



3. Set up a new Username and Password for secure management. Then you can configure the AP. You need to register the GPON AP and configure basic settings.

4. (Optional) Configure the phone service.

Go to the **Telephony** page and set up the telephone number with the information provided by your telephony service provider. Now you can make phone calls over the internet.

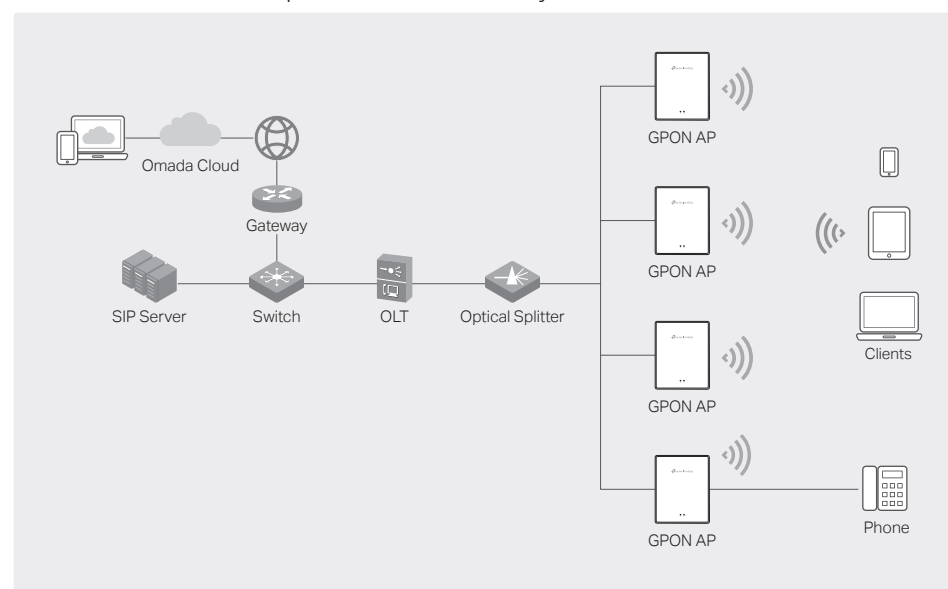
### Method 2: Controller Mode

#### Choose a type of Omada Controller:

##### • Type 1: Omada Cloud-Based Controller

The Omada Cloud-Based Controller is a good alternative that does not require installing the software controller on a PC or purchasing a hardware controller.

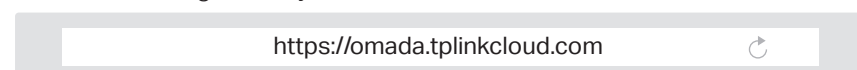
Licenses need to be purchased additionally.



#### Note:

- Before you start, be sure to **power up** and connect your devices according to the above topology.
- A **DHCP server** (typically a gateway/router with the DHCP function enabled) is required to assign IP addresses to the EAPs and clients in your local network.

1. Launch a web browser and enter <https://omada.tplinkcloud.com> in the address bar. Log in with your TP-Link ID.



2. Click **+ Add Controller** and add a Cloud-Based Controller. Then you can launch the controller to adopt devices. You need to register the GPON APs and configure basic settings.

3. (Optional) Configure the phone service.

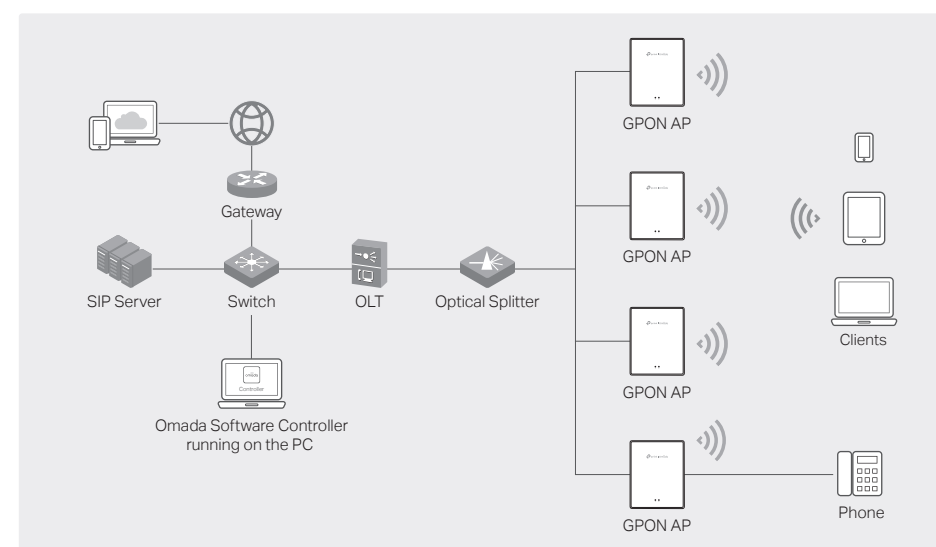
Launch your controller and go to **Settings > VoIP** to configure the phone service with the information provided by your telephony service provider. For detailed instructions, refer to your controller's user guide.

##### • Type 2: Omada Software Controller

On a PC with Windows OS or Linux OS, download the software controller from <https://www.tp-link.com/support/download/omada-software-controller/>.

Then run the file and follow the wizard to install and launch the controller.

The software controller must remain active on your computer to manage your devices.



#### Note:

- Before you start, be sure to **power up** and connect your devices according to the above topology.
- A **DHCP server** (typically a gateway/router with the DHCP function enabled) is required to assign IP addresses to the EAPs and clients in your local network.
- The Omada Controller must have network access to your Omada devices (the router, switch, and EAPs) in order to find, adopt, and manage them.

1. Open the controller's web page.

Launch the software controller on your PC. After the initiation process, the controller will automatically open its web page. If not, click **Launch a Browser to Manage the Network**.

2. On the controller's web page, follow the wizard to complete the quick setup. Then you can launch the controller to adopt devices. You need to register the GPON APs and configure basic settings.

3. (For Remote Management) You can remotely access and manage your controller via the Omada Cloud Service.

**Note:** Before you start, make sure that both your controller and PC can access the internet.

a. Make sure that **Cloud Access** is enabled on your controller and your controller has been bound with your TP-Link ID. On the controller's web page, go to **Settings > Cloud Access** to enable Cloud Access and bind your TP-Link ID. If you have set it up in the quick setup, skip this step.

b. Launch a web browser and enter <https://omada.tplinkcloud.com> in the address bar. Enter your TP-Link ID and password to log in. A list of controllers that have been bound with your TP-Link ID will appear. Then you can launch the controller to manage devices.

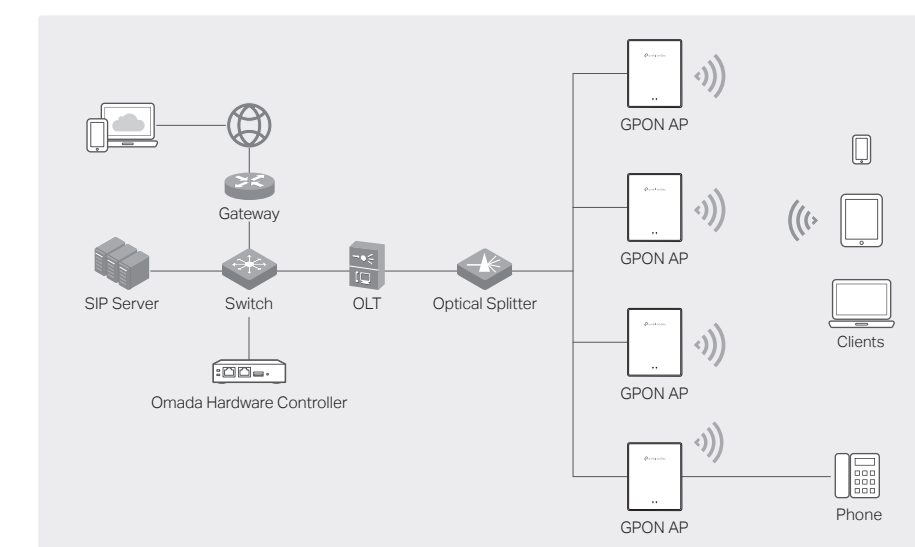
4. (Optional) Configure the phone service.

Launch your controller and go to **Settings > VoIP** to configure the phone service with the information provided by your telephony service provider. For detailed instructions, refer to your controller's user guide.

##### • Type 3: Omada Hardware Controller

If you have no spare PC to keep running the software controller in the network, you can purchase a hardware controller.

For more details, refer to the Installation Guide of your hardware controller.



#### Note:

- Before you start, be sure to **power up** and connect your devices according to the above topology.
- A **DHCP server** (typically a gateway/router with the DHCP function enabled) is required to assign IP addresses to the EAPs and clients in your local network.
- The Omada Controller must have network access to your Omada devices (the router, switch, and EAPs) in order to find, adopt, and manage them.

1. Open the controller's web page.

Find the IP address of the controller on the gateway router's DHCP client list. Enter the IP address in the address bar to open its web page.

2. On the controller's web page, follow the wizard to complete the quick setup. Then you can launch the controller to adopt devices. You need to register the GPON APs and configure basic settings.

3. (For Remote Management) You can remotely access and manage your controller via the Omada Cloud Service.

**Note:** Before you start, make sure that both your controller and PC can access the internet.

a. Make sure that **Cloud Access** is enabled on your controller. By default, **Cloud Access** is enabled. Make sure that the Cloud LED is flashing slowly.

b. Launch a web browser and enter <https://omada.tplinkcloud.com> in the address bar. Enter your TP-Link ID and password to log in. Click **+ Add Controller** and choose **Hardware Controller** to add your controller. Then you can launch the controller to manage devices.

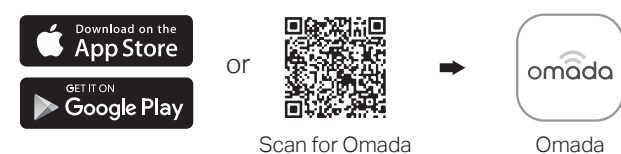
4. (Optional) Configure the phone service.

Launch your controller and go to **Settings > VoIP** to configure the phone service with the information provided by your telephony service provider. For detailed instructions, refer to your controller's user guide.

### Omada App

With the TP-Link Omada app, you can access and manage your Omada devices at a local site or remotely with a tap on your phone.

You can download and install the TP-Link Omada app from the App Store or Google Play.



### Safety Information

- Keep the device away from water, fire, humidity or hot environments.
- Do not attempt to disassemble, repair, or modify the device. If you need service, please contact us.
- Do not use the device where wireless devices are not allowed.
- Do not use damaged charger or USB cable to charge the device.
- Do not use any other chargers than those recommended.
- Adapter shall be installed near the equipment and shall be easily accessible.
- The PoE ports shall not be used to charge lithium batteries or devices supplied by lithium batteries.

### EU Declaration of Conformity

TP-Link hereby declares that the device is in compliance with the essential requirements and other relevant provisions of directives 2014/53/EU, 2009/125/EC, 2011/65/EU and (EU) 2015/863.

The original EU Declaration of Conformity may be found at <https://www.tp-link.com/en/support/ce/>

### UK Declaration of Conformity

TP-Link hereby declares that the device is in compliance with the essential requirements and other relevant provisions of the Radio Equipment Regulations 2017.

The original UK Declaration of Conformity may be found at <https://www.tp-link.com/support/ukca/>

For detailed configurations, refer to the user guides of the controller and EAPs. The guides can be found on the download center of our official website: <https://www.tp-link.com/support/download/>.

To ask questions, find answers, and communicate with TP-Link users or engineers, please visit <https://community.tp-link.com> to join the TP-Link Community.

For technical support, user guides, and other information, please visit <https://www.tp-link.com/support/>, or simply scan the QR code.

